



US00D666737S

(12) **United States Design Patent**  
**Benarieh et al.**

(10) **Patent No.:** **US D666,737 S**

(45) **Date of Patent:** **\*\* Sep. 4, 2012**

(54) **ELECTROPHORESIS DEVICE**

(75) Inventors: **Ronen Benarieh**, Kibotz (IL); **Gustavo Turkieltaub**, Tel Aviv (IL); **Andres Wainstein**, Tel Aviv (IL)

(73) Assignee: **Life Technologies Corporation**, Carlsbad, CA (US)

(\*\*) Term: **14 Years**

(21) Appl. No.: **29/393,552**

(22) Filed: **Jun. 6, 2011**

(51) **LOC (9) Cl.** ..... **24-01**

(52) **U.S. Cl.** ..... **D24/233**

(58) **Field of Classification Search** ..... D24/232–233;  
204/450–451, 456, 461, 462, 465–466, 554,  
204/600, 606–607, 608, 612, 615, 616, 619–621;  
249/120; 439/509, 911

See application file for complete search history.

(56) **References Cited**

**U.S. PATENT DOCUMENTS**

4,830,725	A *	5/1989	Berninger et al.	.....	204/620
D315,952	S *	4/1991	Berninger et al.	.....	D24/233
5,106,472	A *	4/1992	Guadagno	.....	204/466
5,242,568	A *	9/1993	Ehr et al.	.....	204/607
D353,465	S *	12/1994	Arioka et al.	.....	D24/232
5,433,837	A *	7/1995	Brunk et al.	.....	204/620
5,449,446	A *	9/1995	Verma et al.	.....	204/612
6,036,021	A *	3/2000	Moi	.....	204/456
D516,733	S *	3/2006	Pedraza et al.	.....	D24/233
D524,948	S *	7/2006	Pedraza et al.	.....	D24/233
D561,349	S *	2/2008	Levin et al.	.....	D24/232
D571,480	S *	6/2008	Beck et al.	.....	D24/232
D645,975	S *	9/2011	Barkey	.....	D24/232
2012/0024707	A1 *	2/2012	Ohura et al.	.....	204/603

**OTHER PUBLICATIONS**

IVGN Flyer, English Translation of BMB Conference in Kobe, Japan, Dec. 7-9, 2010.

IVGN Flyer in Japanese, BMB Conference in Kobe, Japan, Dec. 7-9, 2010.

\* cited by examiner

*Primary Examiner* — Wan Laymon

(57) **CLAIM**

The ornamental design for an electrophoresis device, as shown and described.

**DESCRIPTION**

FIG. 1 is a front and side perspective view of an electrophoresis device for performing electrophoresis of nucleic acids, and visualization, imaging and/or analysis thereof, according to our design;

FIG. 2 is a front perspective view of the electrophoresis device of FIG. 1;

FIG. 3 is a back perspective view of the electrophoresis device of FIG. 1;

FIG. 4 is a right side perspective view of the electrophoresis device of FIG. 1;

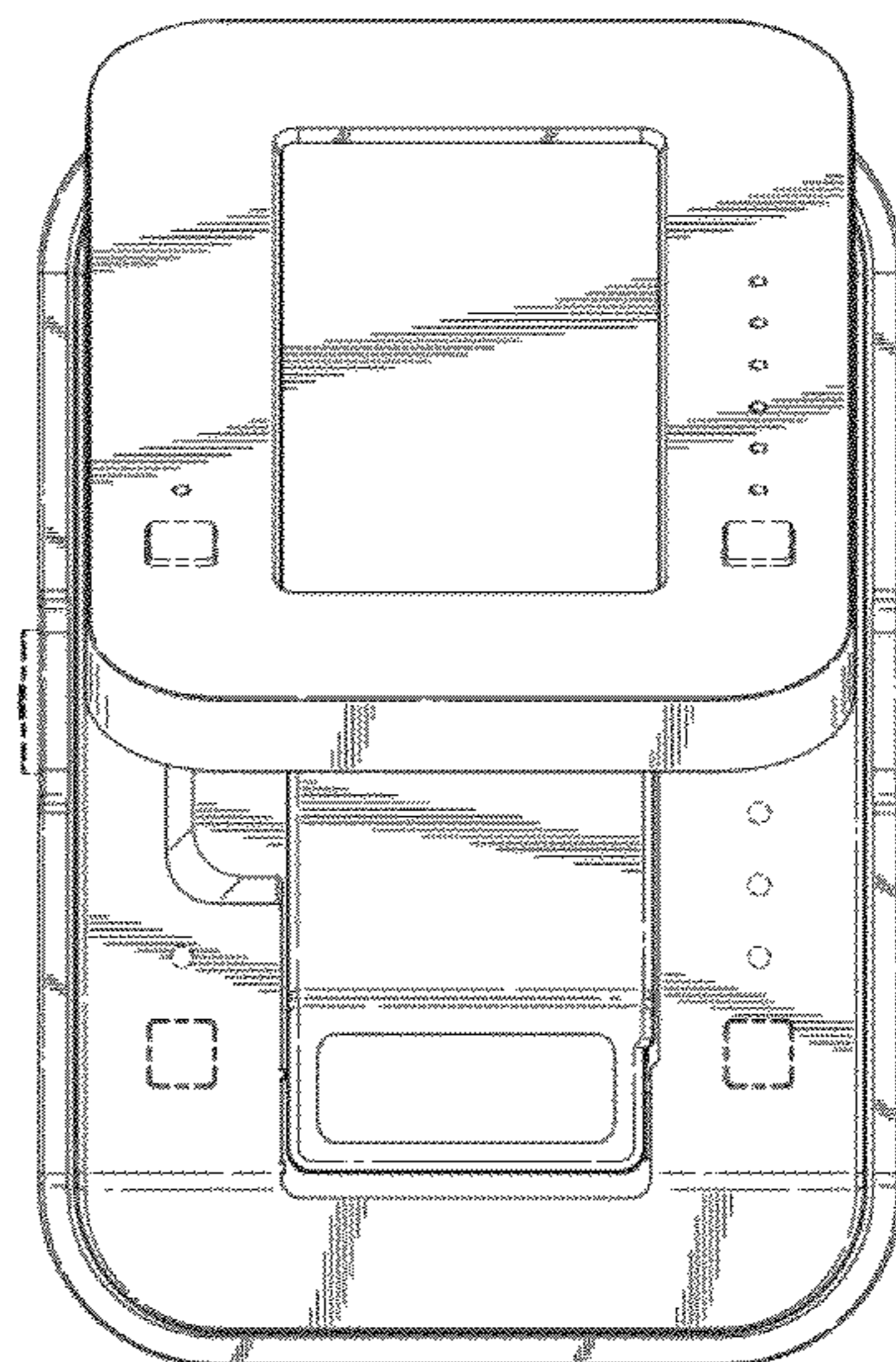
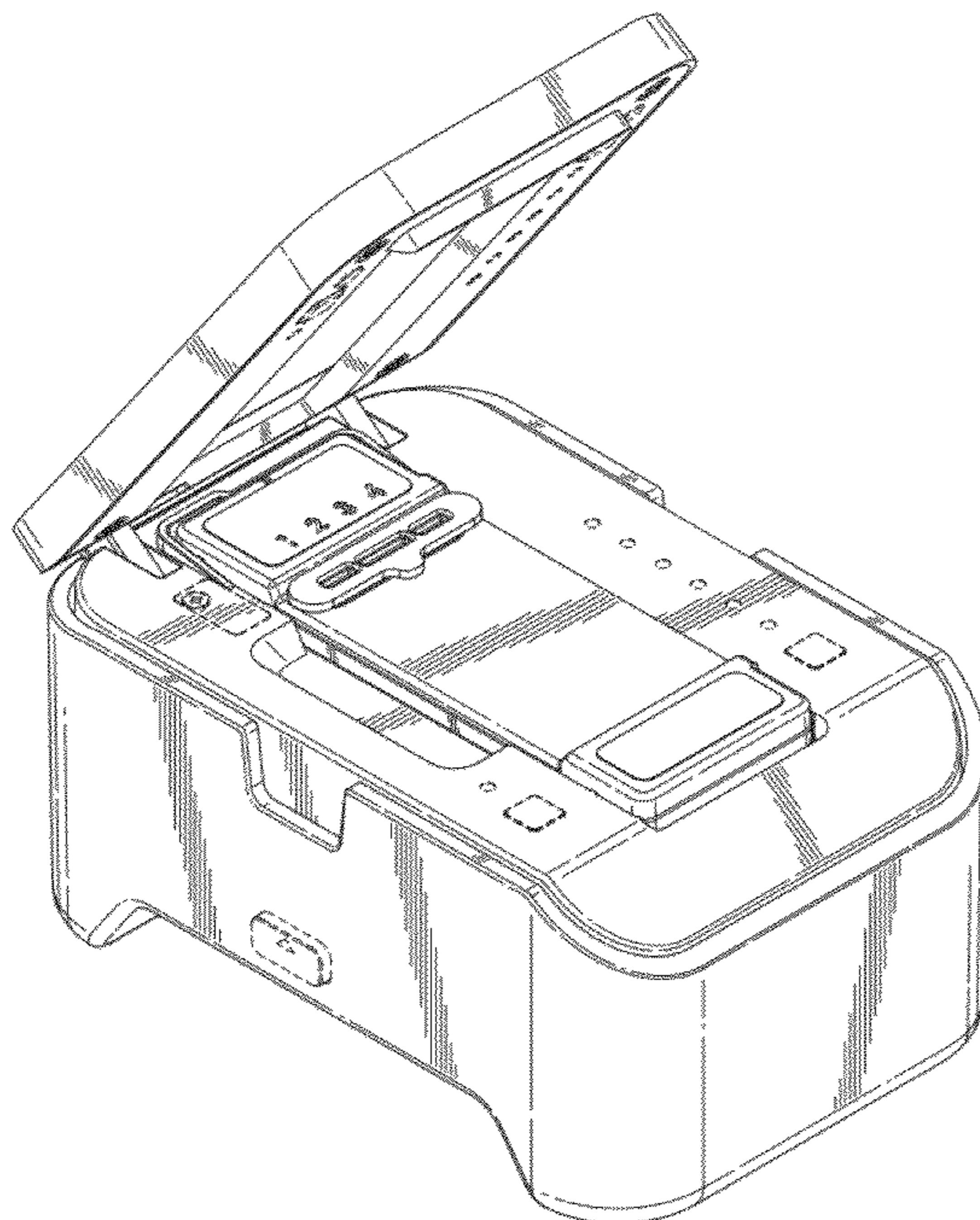
FIG. 5 is a left side perspective view of the electrophoresis device of FIG. 1;

FIG. 6 is a top side perspective view of the electrophoresis device of FIG. 1; and,

FIG. 7 is a bottom perspective view of the electrophoresis device of FIG. 1.

Portions of the electrophoresis device shown in broken lines form no part of the claimed design.

**1 Claim, 7 Drawing Sheets**



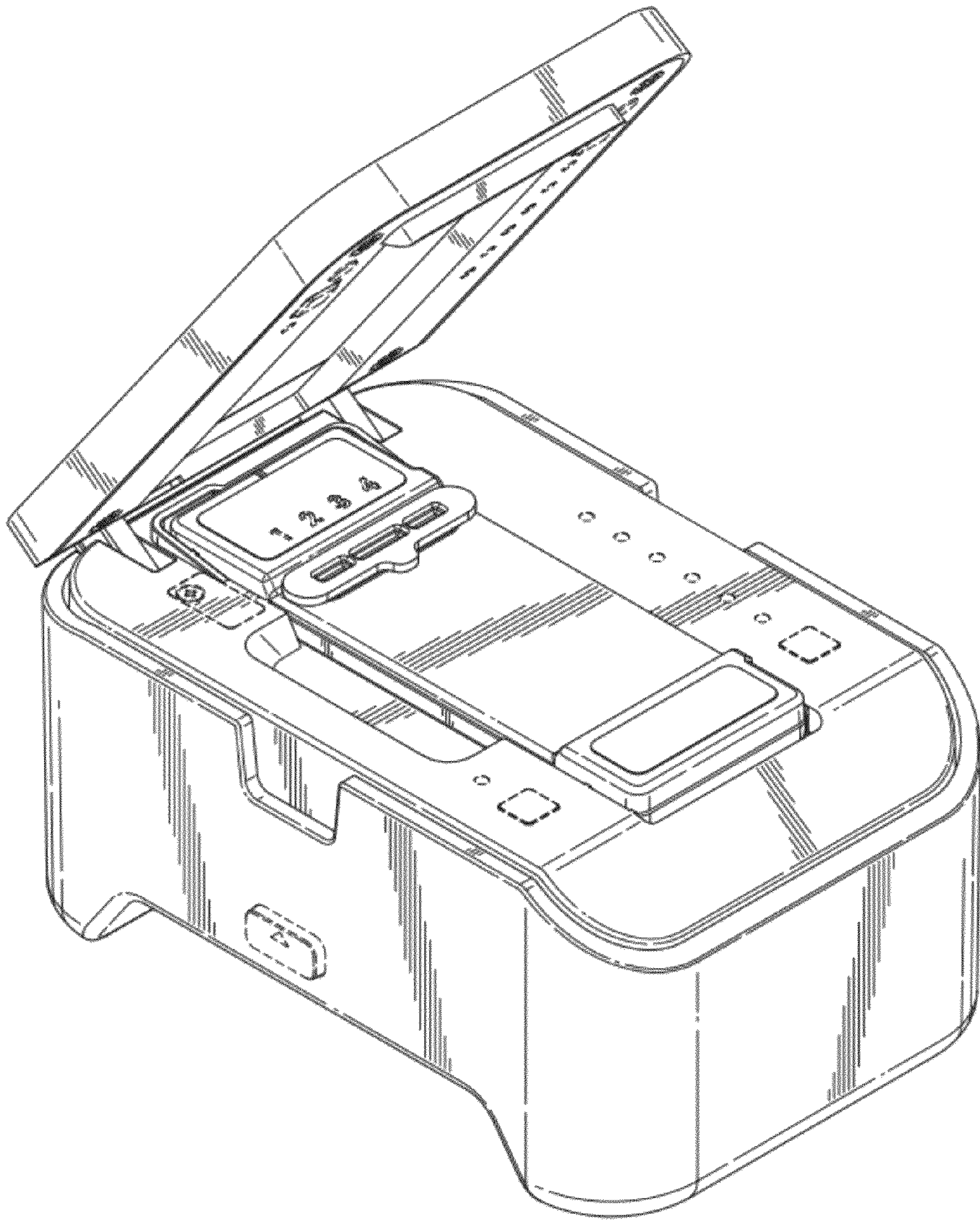


FIG. 1

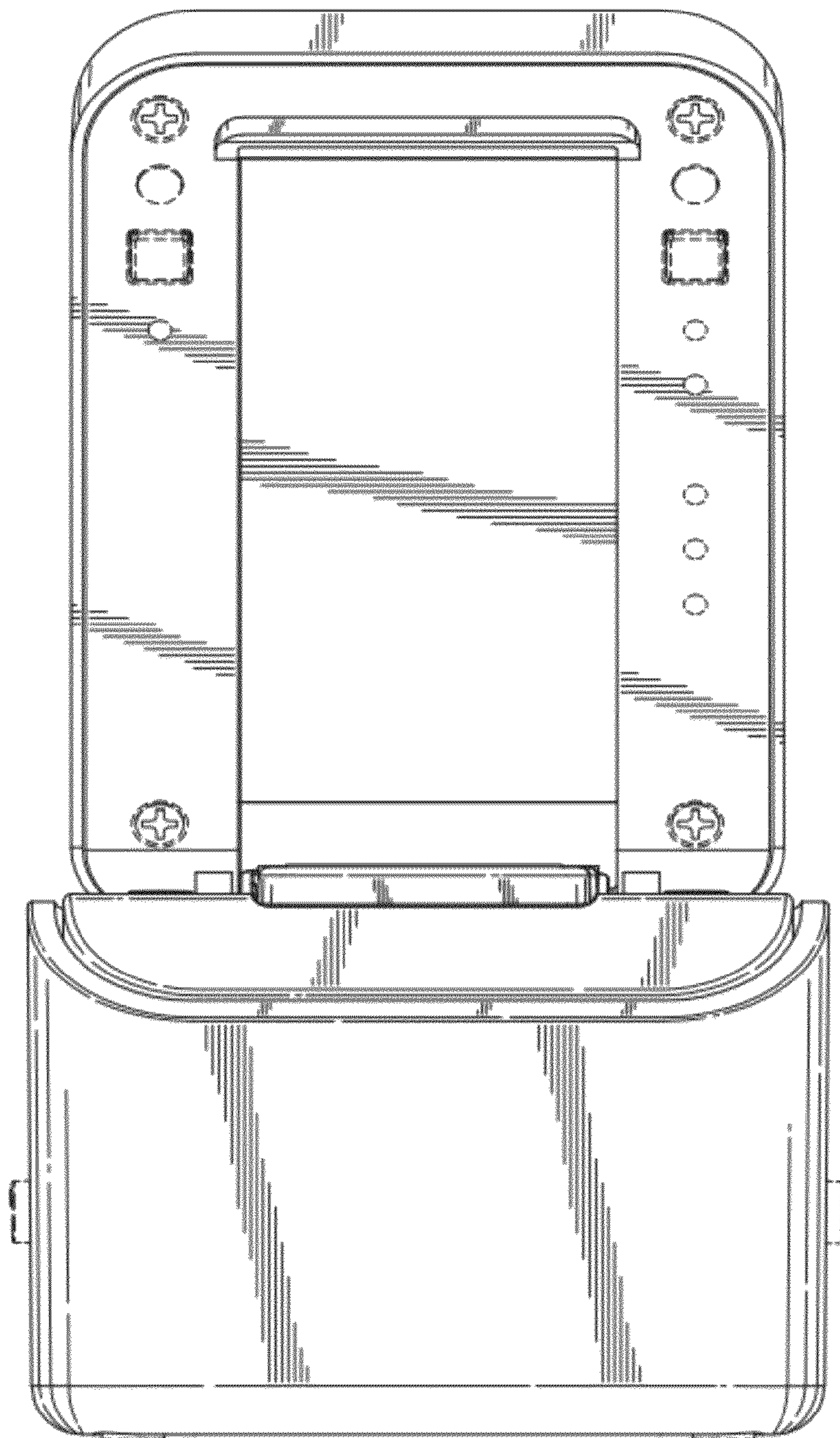


FIG. 2

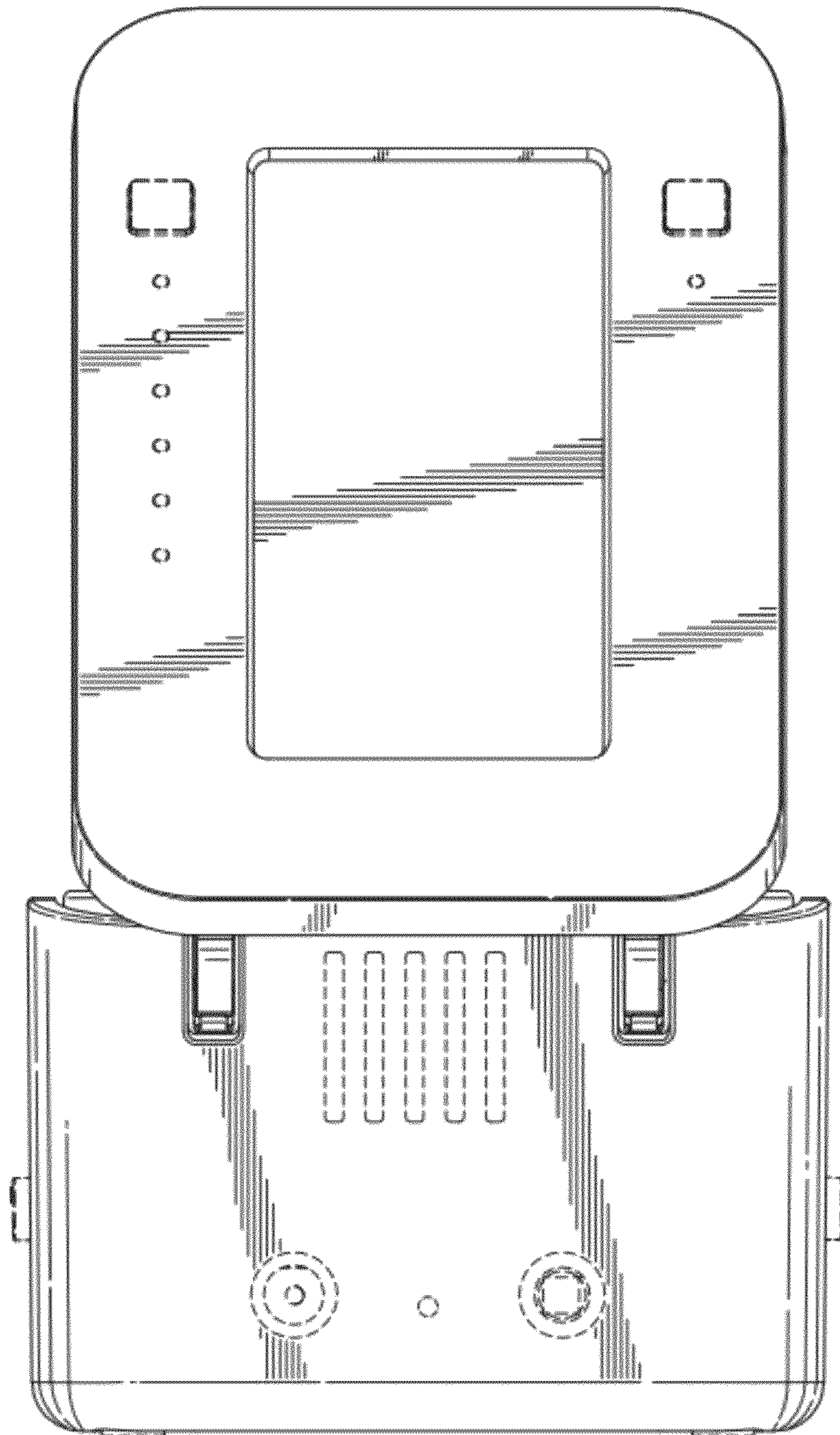


FIG. 3

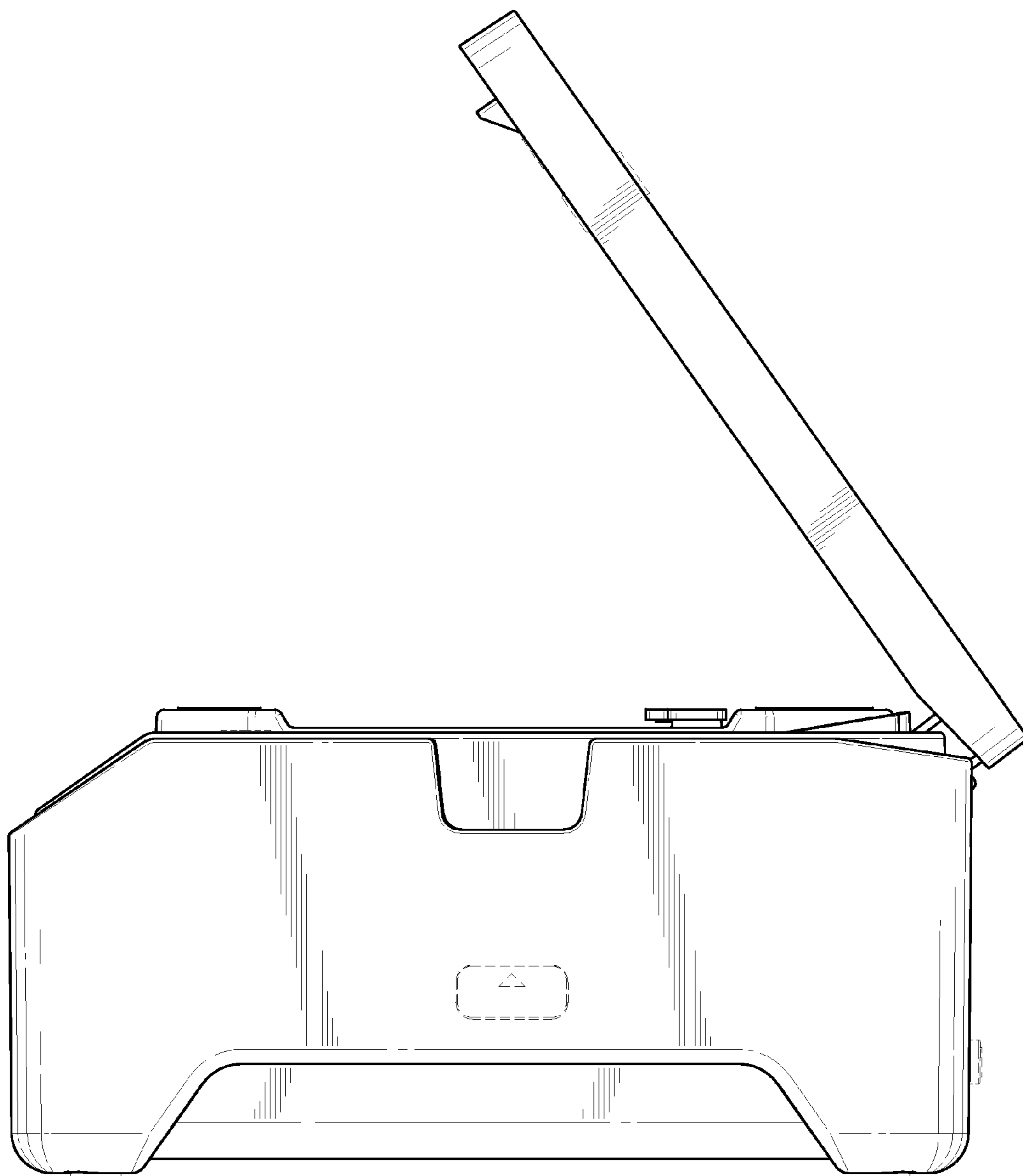


FIG. 4

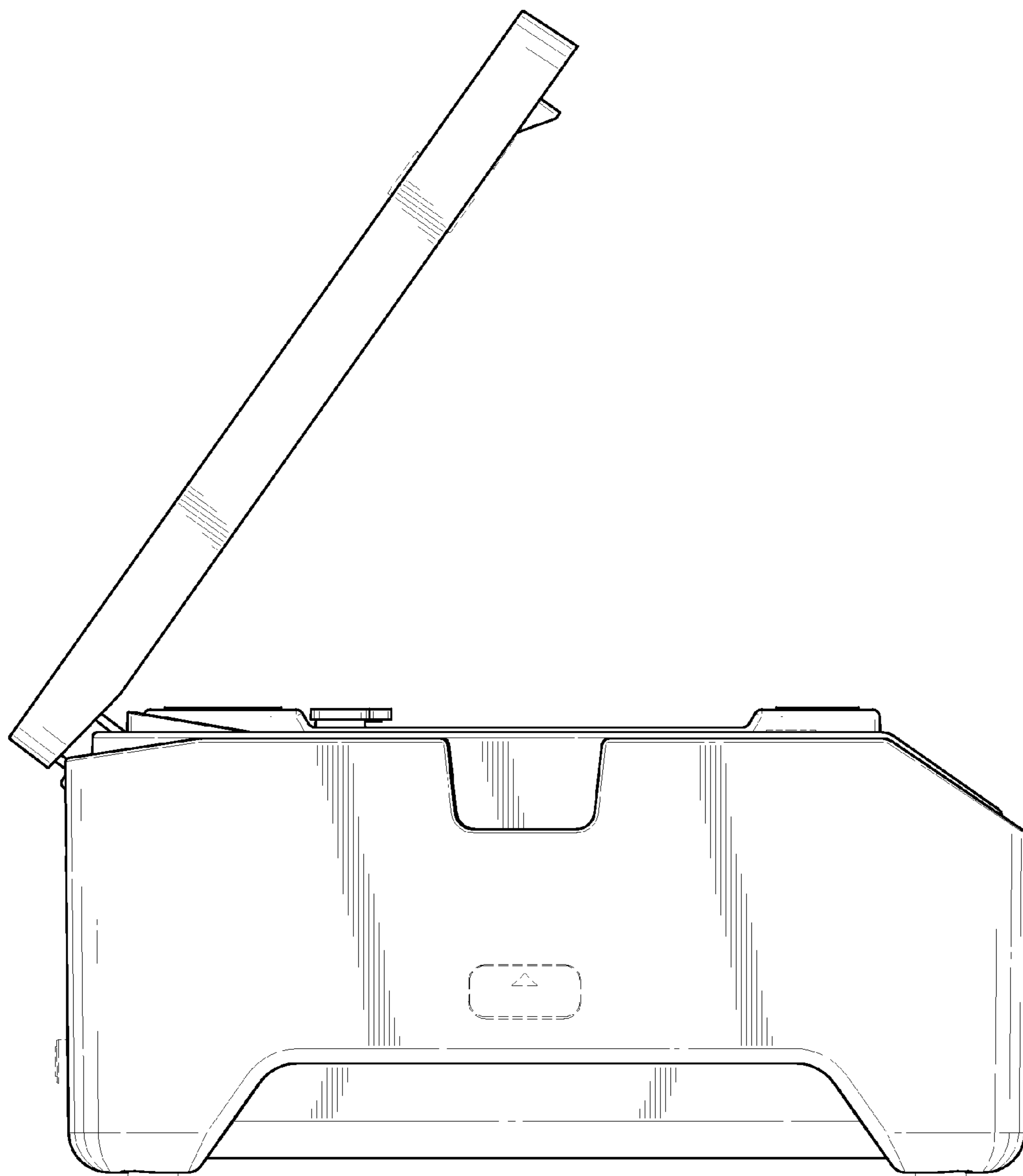


FIG. 5

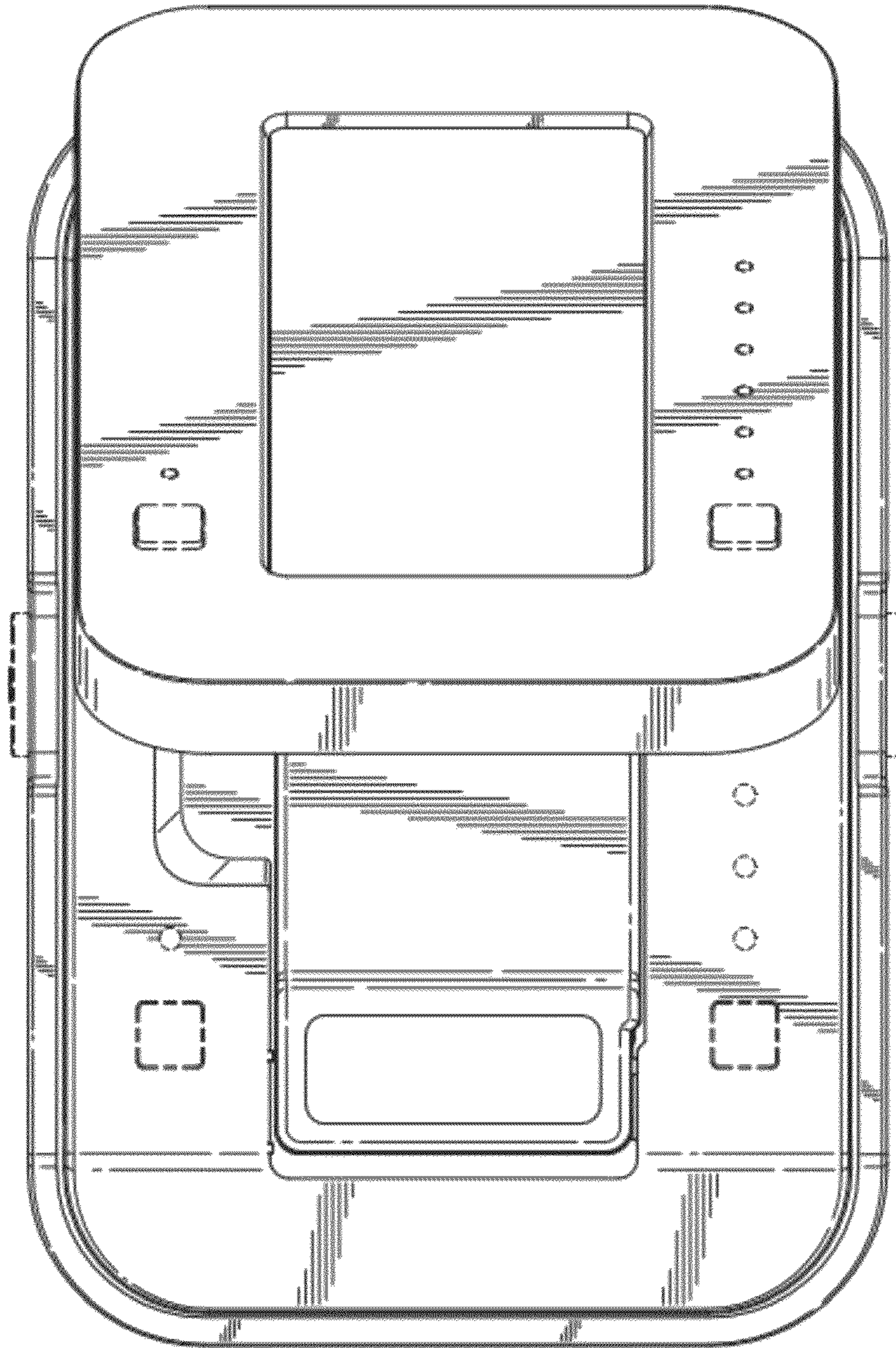


FIG. 6

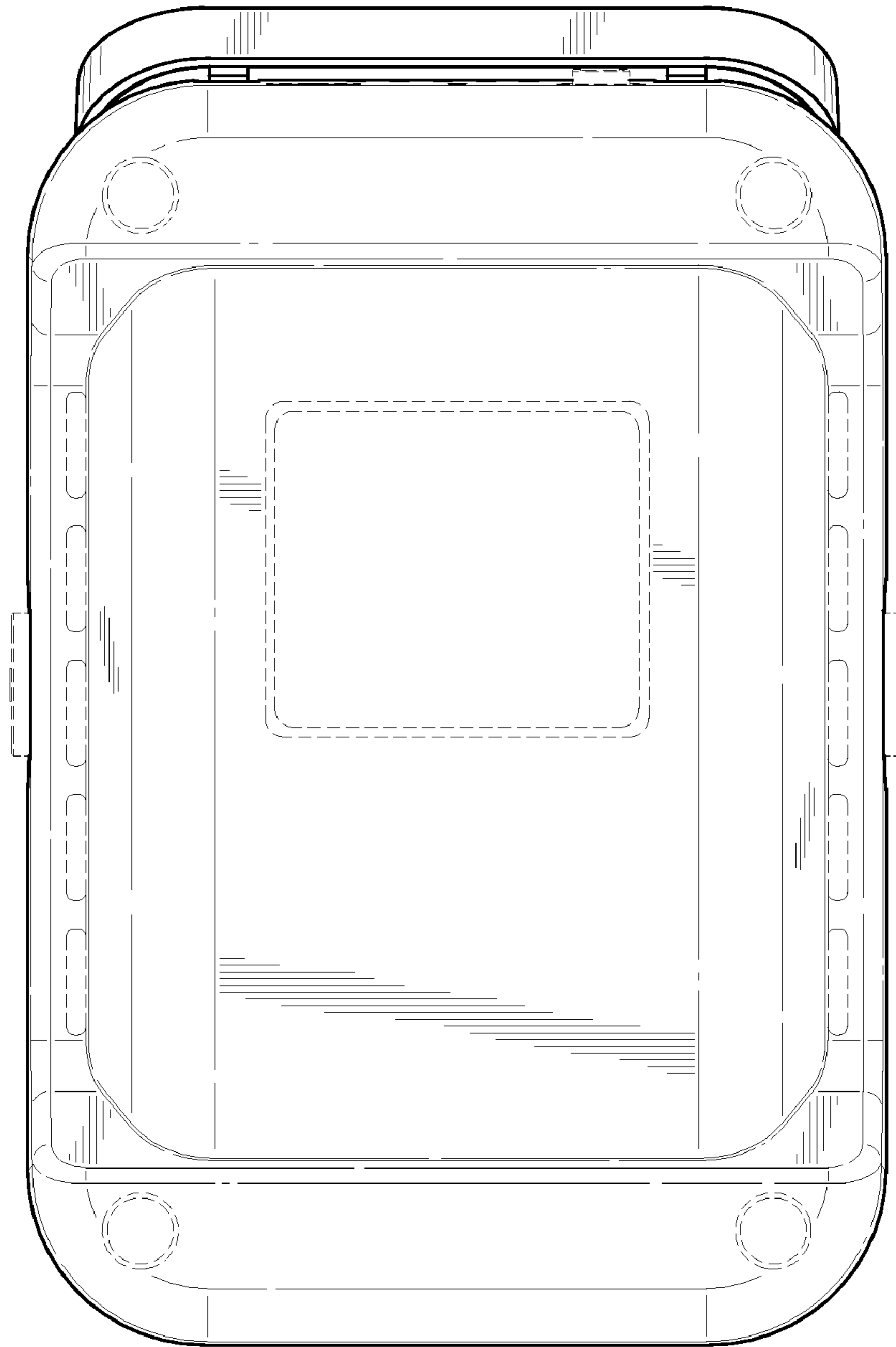


FIG. 7