

US00D666733S

(12) **United States Design Patent**  
**Caggiano et al.**

(10) **Patent No.:** **US D666,733 S**

(45) **Date of Patent:** **\*\* Sep. 4, 2012**

(54) **PERSONAL VIBRATOR IN THE SHAPE OF A LIPSTICK HOUSED WITHIN A LIPSTICK TUBE**

D636,888 S \* 4/2011 Nikitzuk et al. .... D24/215  
D639,442 S \* 6/2011 Chandler ..... D24/190  
D652,527 S \* 1/2012 Marshall ..... D24/215

\* cited by examiner

(75) Inventors: **Keith Caggiano**, Playa del Rey, CA (US); **Justin Ross**, Beverly Hills, CA (US)

*Primary Examiner* — Sandra Snapp

(74) *Attorney, Agent, or Firm* — Thomas I. Rozsa

(73) Assignee: **Momentum Management, LLC**, Torrance, CA (US)

(57) **CLAIM**

The ornamental design for a personal vibrator in the shape of a lipstick housed within a lipstick tube, as shown and described.

(\*\*) Term: **14 Years**

**DESCRIPTION**

(21) Appl. No.: **29/374,975**

FIG. 1 is a side perspective view of the personal vibrator in the shape of a lipstick housed within a lipstick tube with the cap in place, showing our design;

(22) Filed: **Nov. 2, 2011**

FIG. 2 is bottom perspective view thereof;

(51) **LOC (9) Cl.** ..... **28-03**

FIG. 3 is a front view thereof;

(52) **U.S. Cl.** ..... **D24/215**

FIG. 4 is a rear view thereof;

(58) **Field of Classification Search** ..... D24/200, D24/211–215, 141; 601/27, 28, 33, 40, 46, 601/47, 48, 63, 80, 99, 104, 112, 113, 114, 601/119, 122, 125, 129, 134, 135, 137, DIG. 12, 601/DIG. 13, DIG. 14, DIG. 15, DIG. 16, 601/DIG. 17; D28/4, 8, 76, 85, 88  
See application file for complete search history.

FIG. 5 is a left side view thereof;

FIG. 6 is a right side view;

FIG. 7 is a top view thereof;

FIG. 8 is a bottom view;

FIG. 9 is a side perspective view of the personal vibrator in the shape of a lipstick housed within a lipstick tube with the cap removed, showing our design;

FIG. 10 is bottom perspective view thereof;

FIG. 11 is a front view thereof;

FIG. 12 is a rear view thereof;

FIG. 13 is a left side view thereof;

FIG. 14 is a right side view;

FIG. 15 is a top view thereof; and,

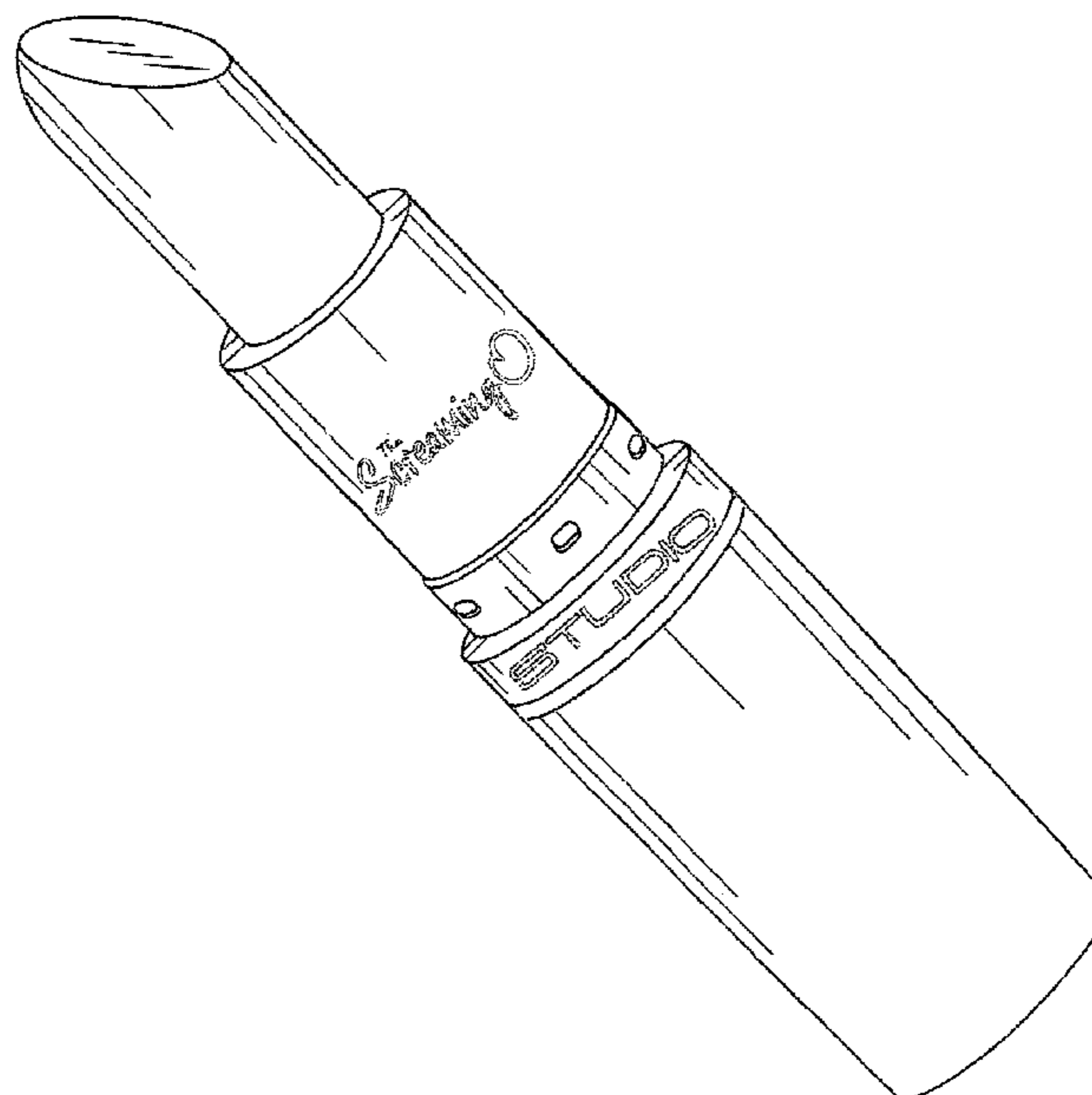
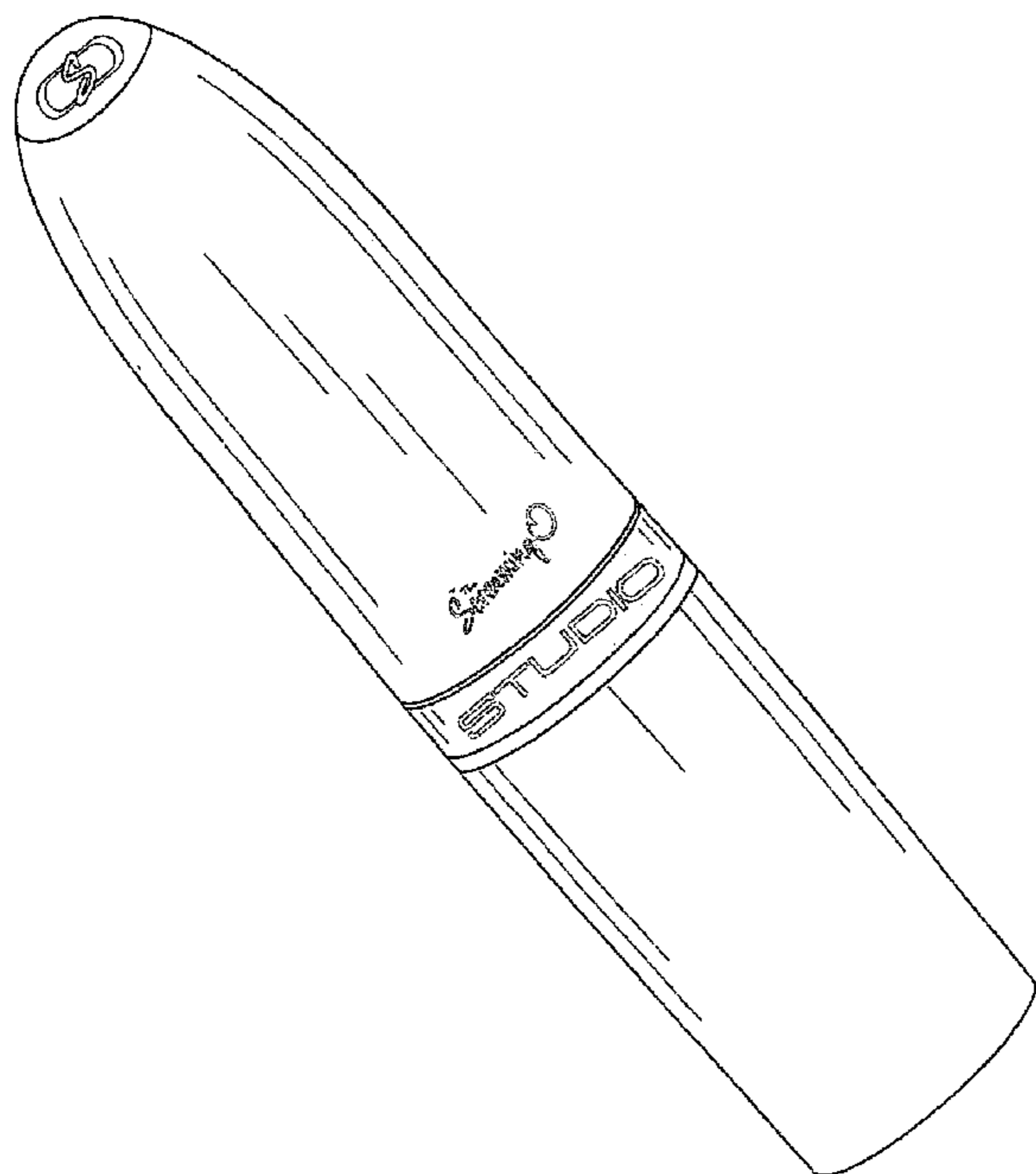
FIG. 16 is a bottom view.

(56) **References Cited**

**U.S. PATENT DOCUMENTS**

4,807,603 A \* 2/1989 Yasui ..... 601/121  
D384,417 S \* 9/1997 Zurbay ..... D24/214  
D390,966 S \* 2/1998 Huang ..... D24/211  
D539,984 S \* 4/2007 Egawa ..... D28/89  
D567,448 S \* 4/2008 Mascotte et al. .... D28/90  
D630,761 S \* 1/2011 Marshall ..... D24/215

**1 Claim, 10 Drawing Sheets**



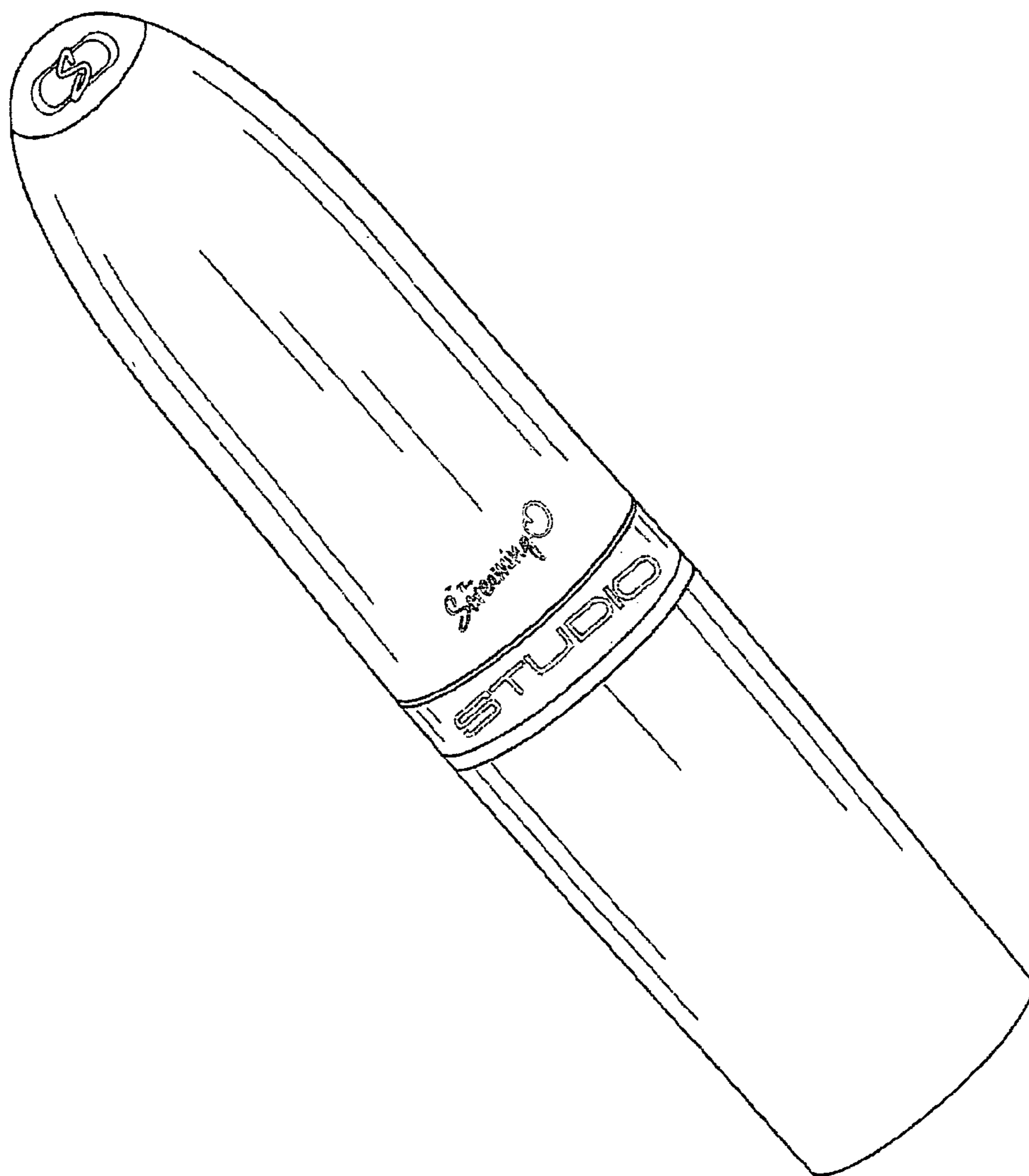


FIG. 1

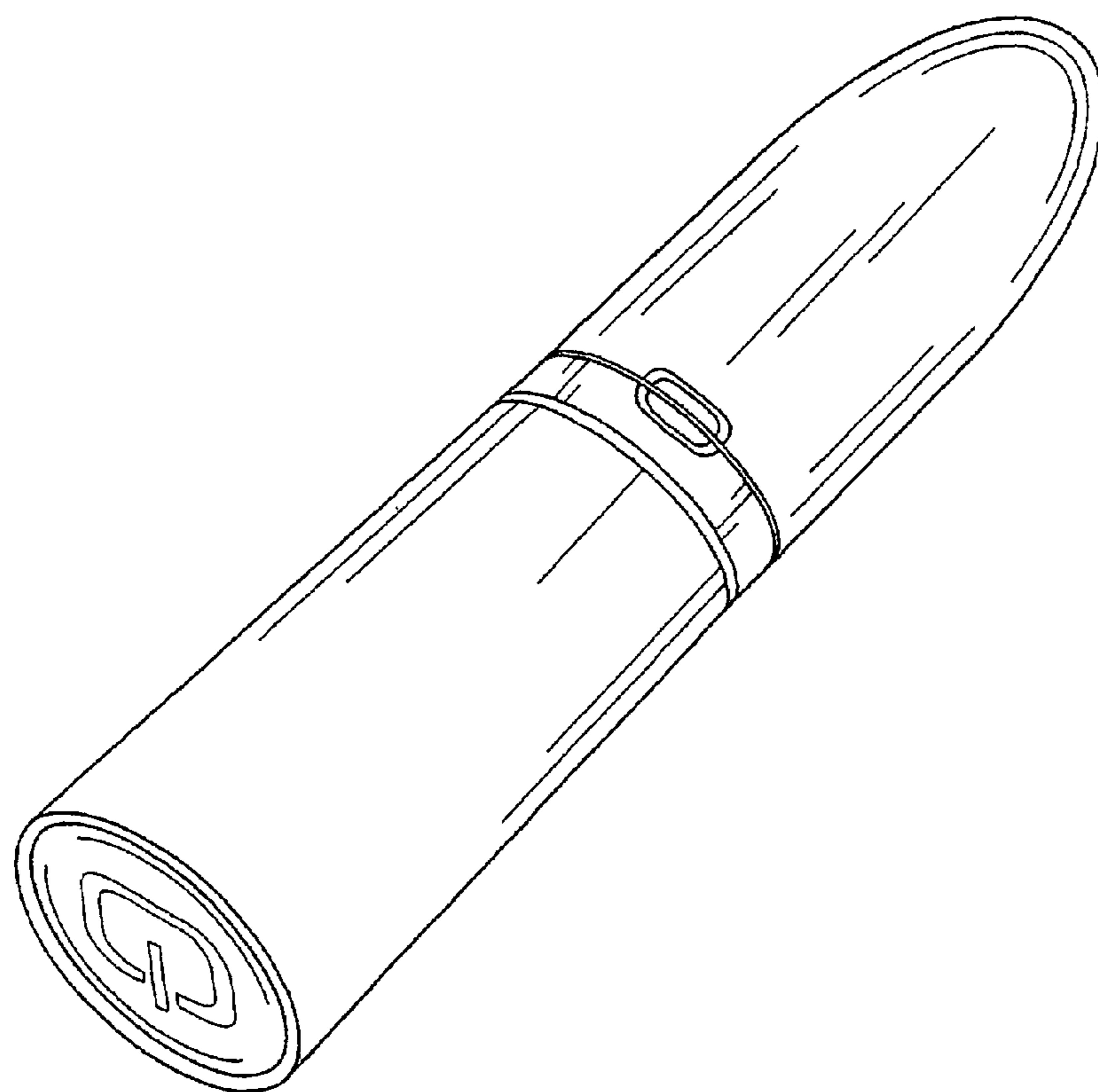


FIG. 2

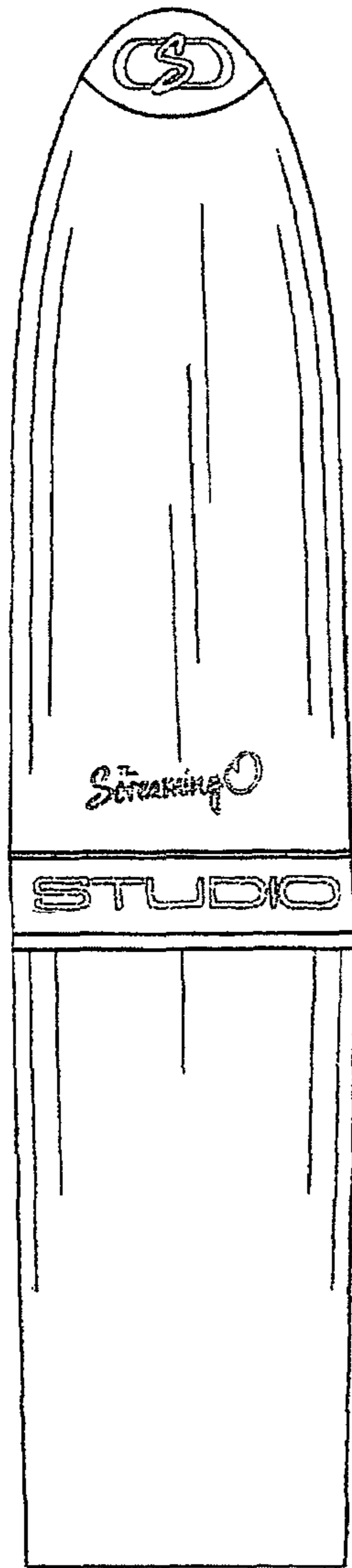


FIG. 3

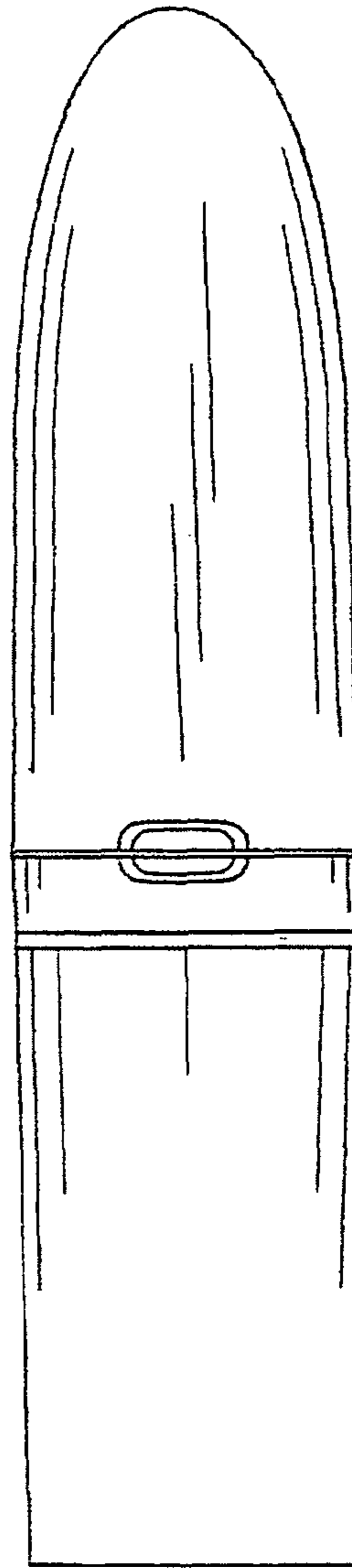


FIG. 4

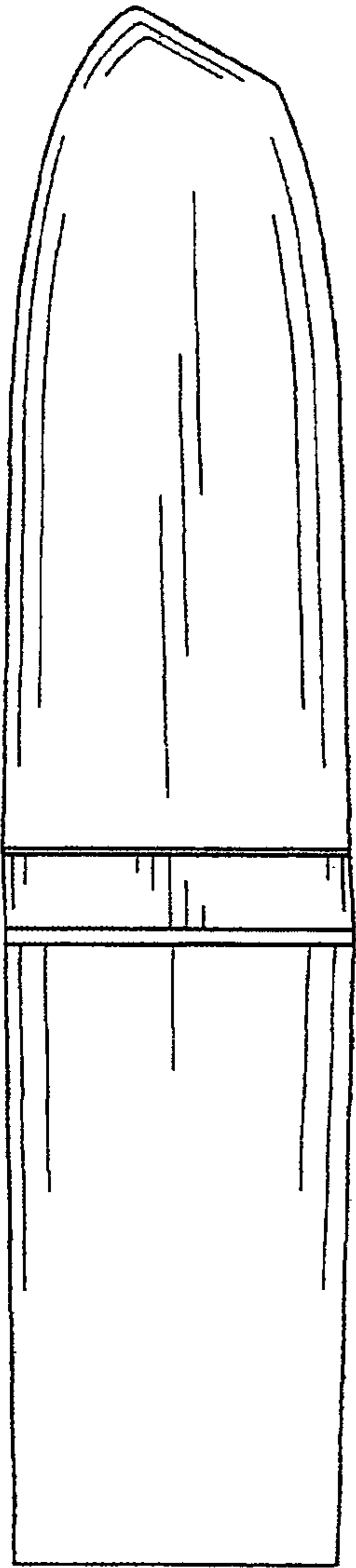


FIG. 5

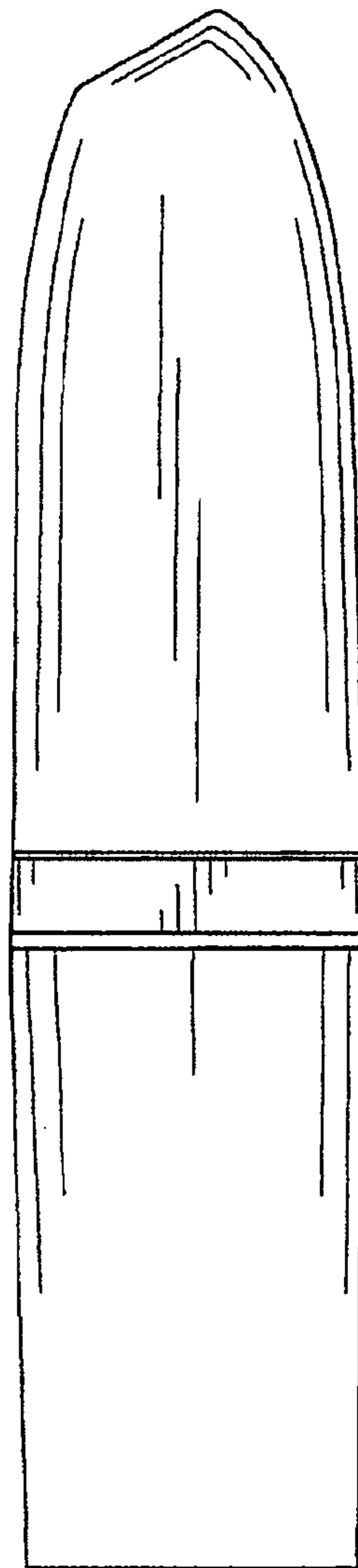


FIG. 6

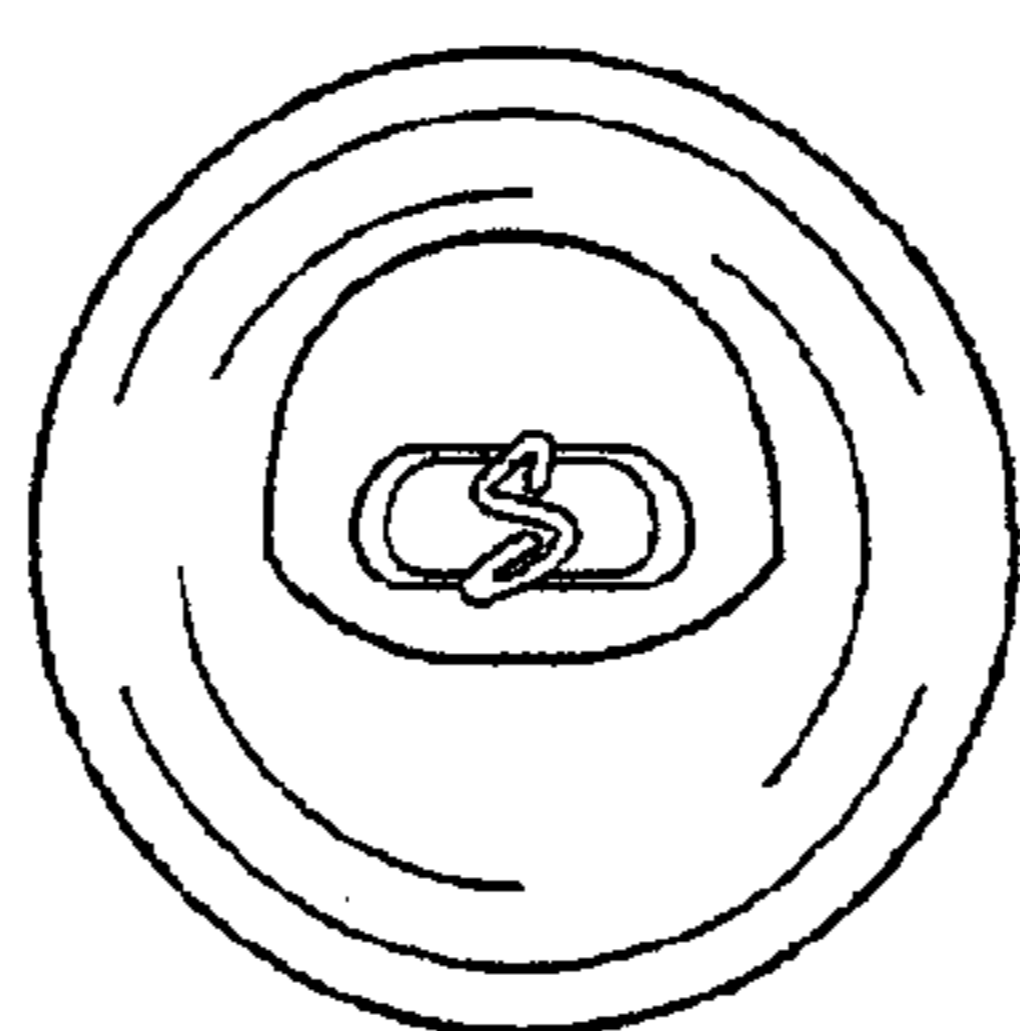


FIG. 7

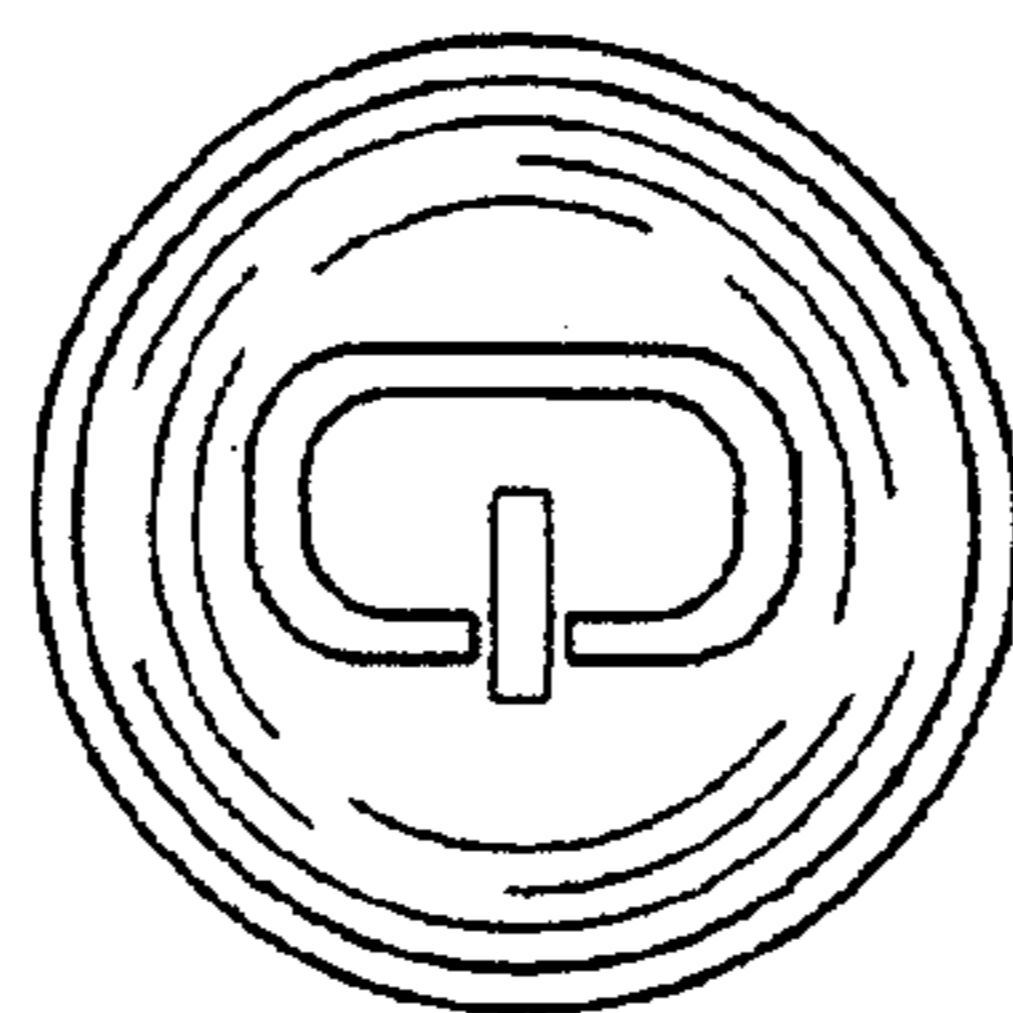


FIG. 8

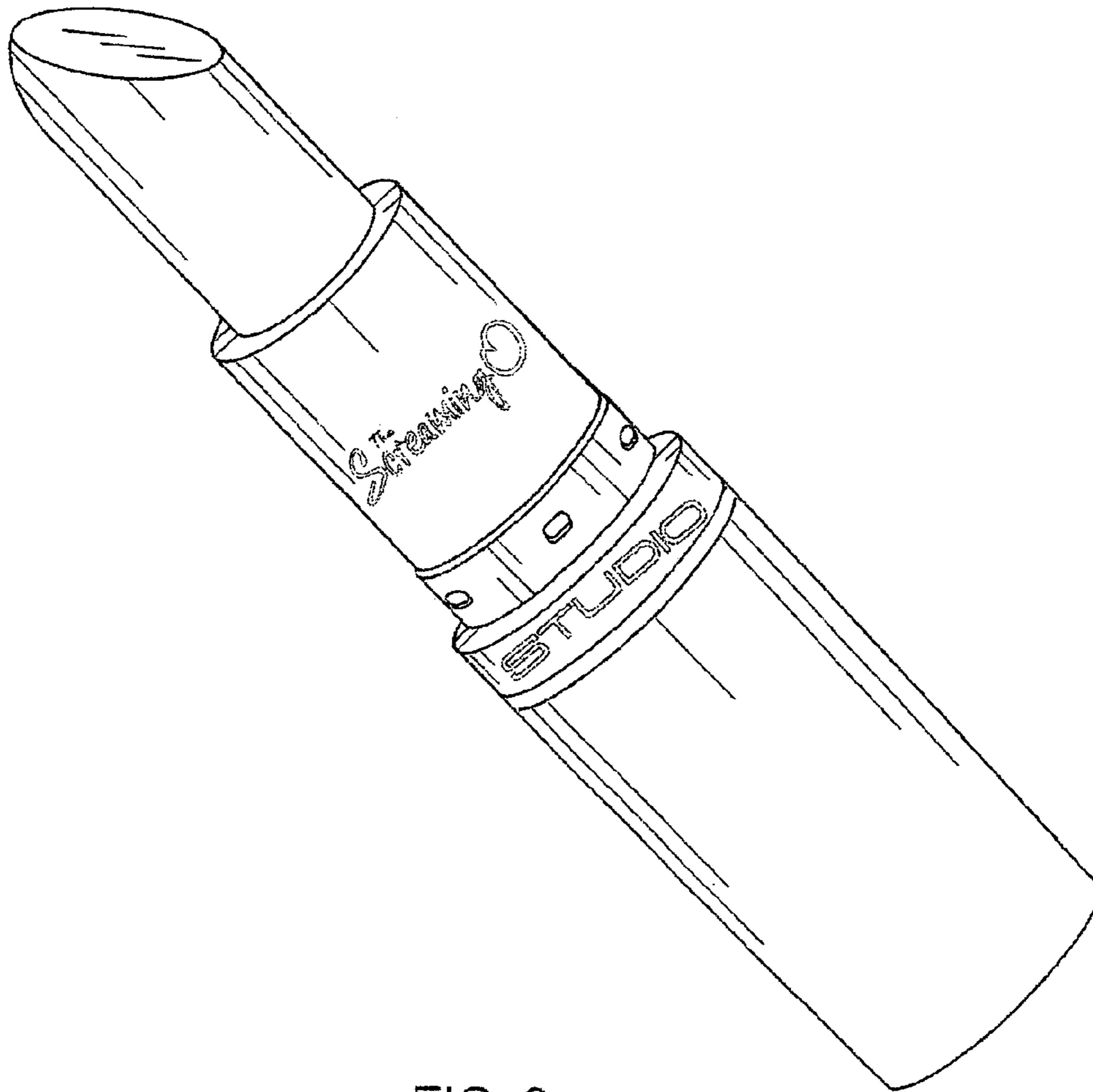


FIG. 9

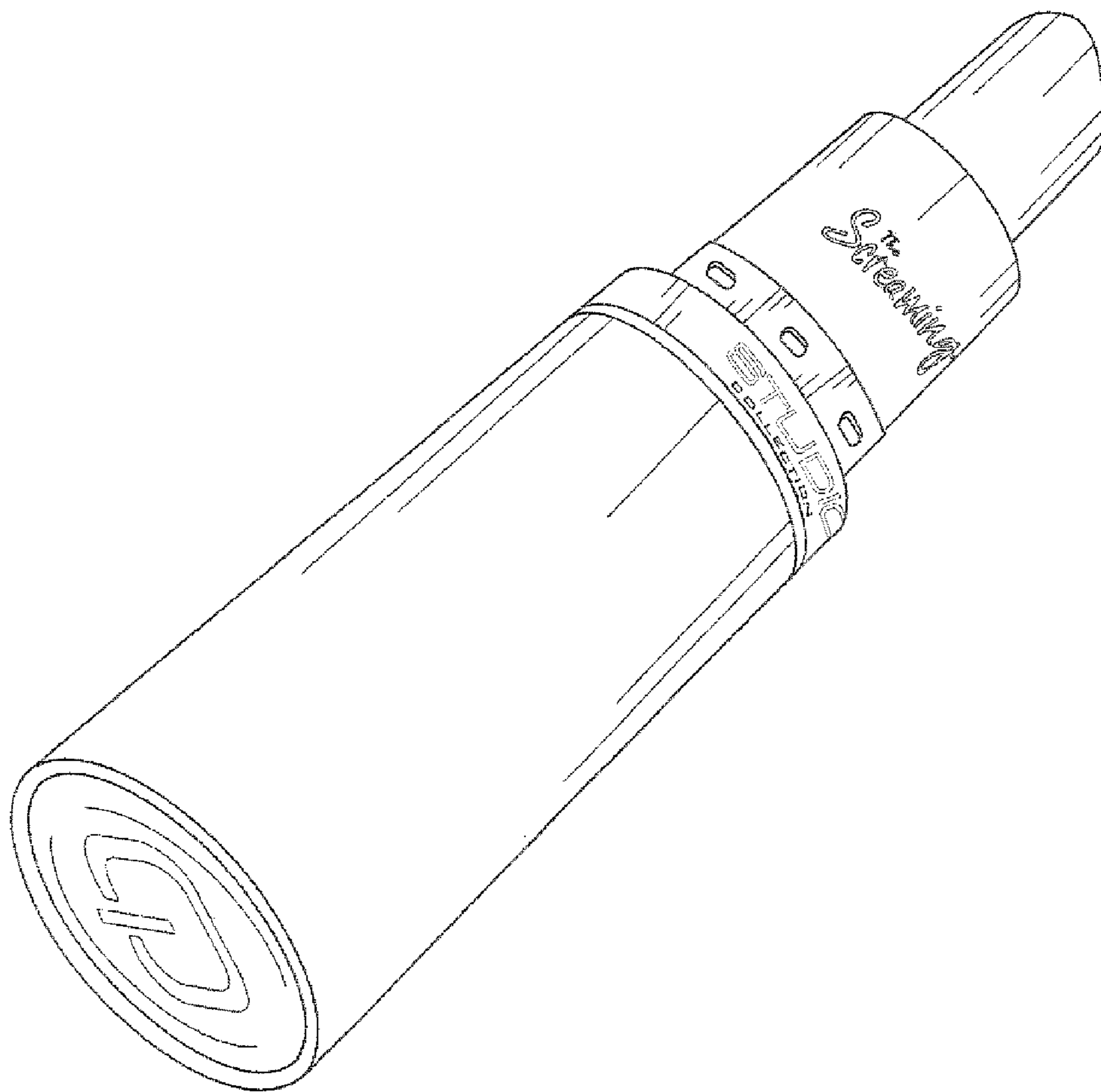


FIG. 10



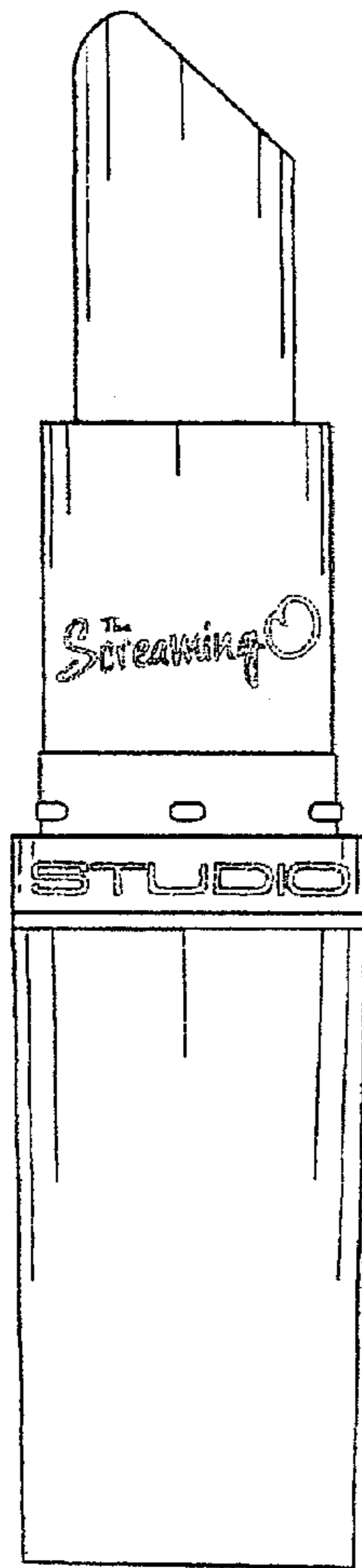


FIG. 11

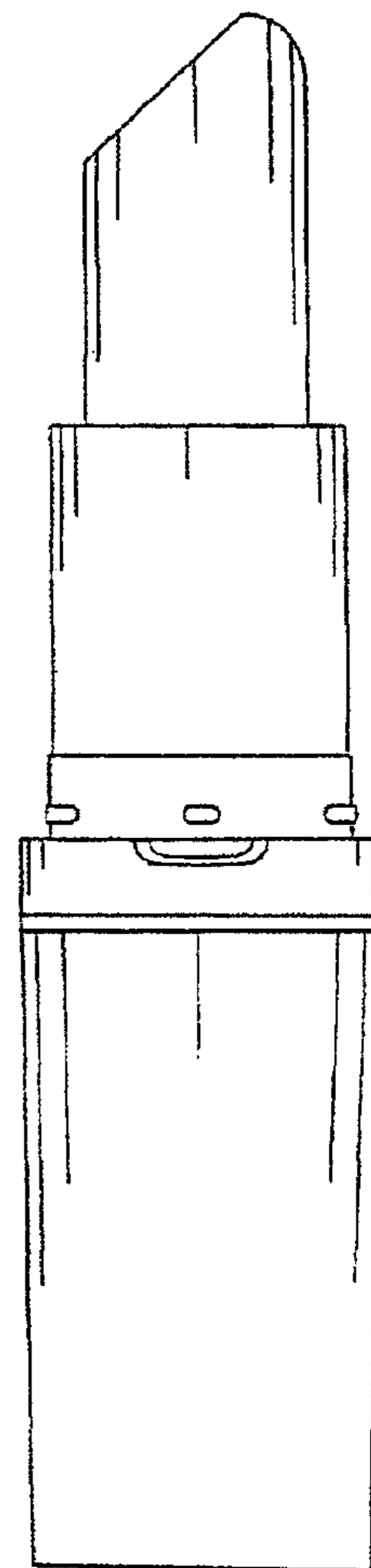


FIG. 12

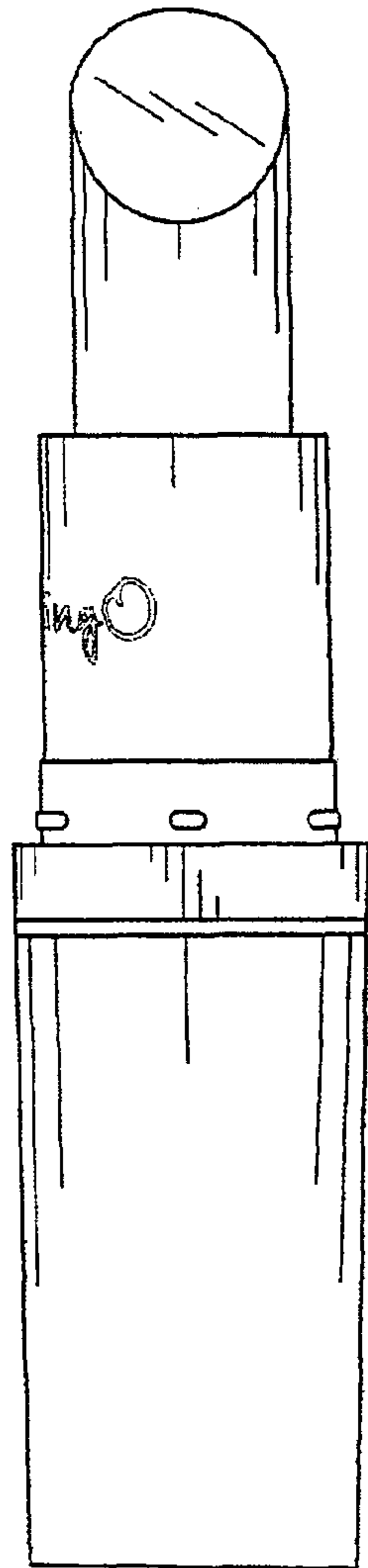


FIG. 13

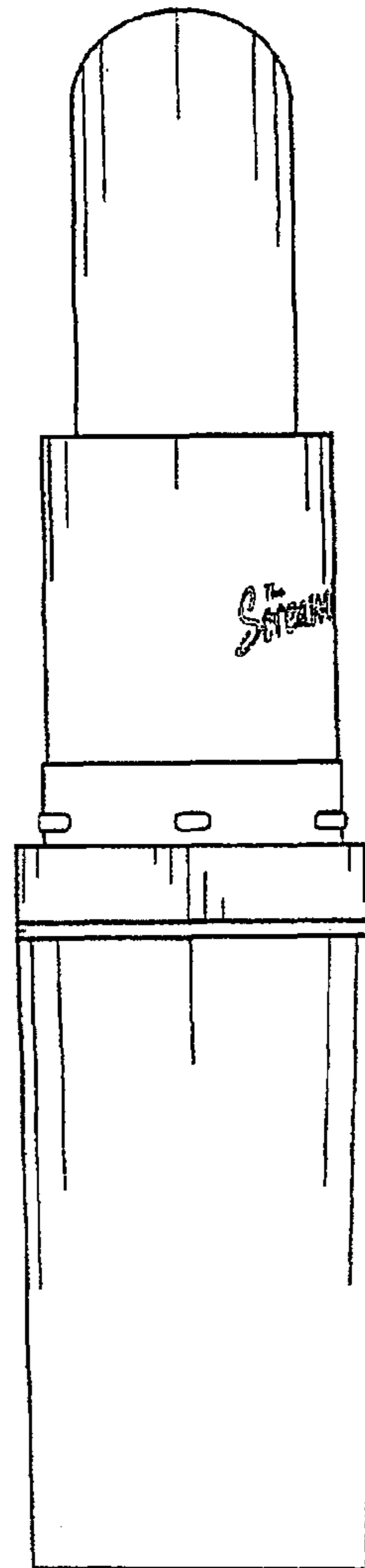


FIG. 14

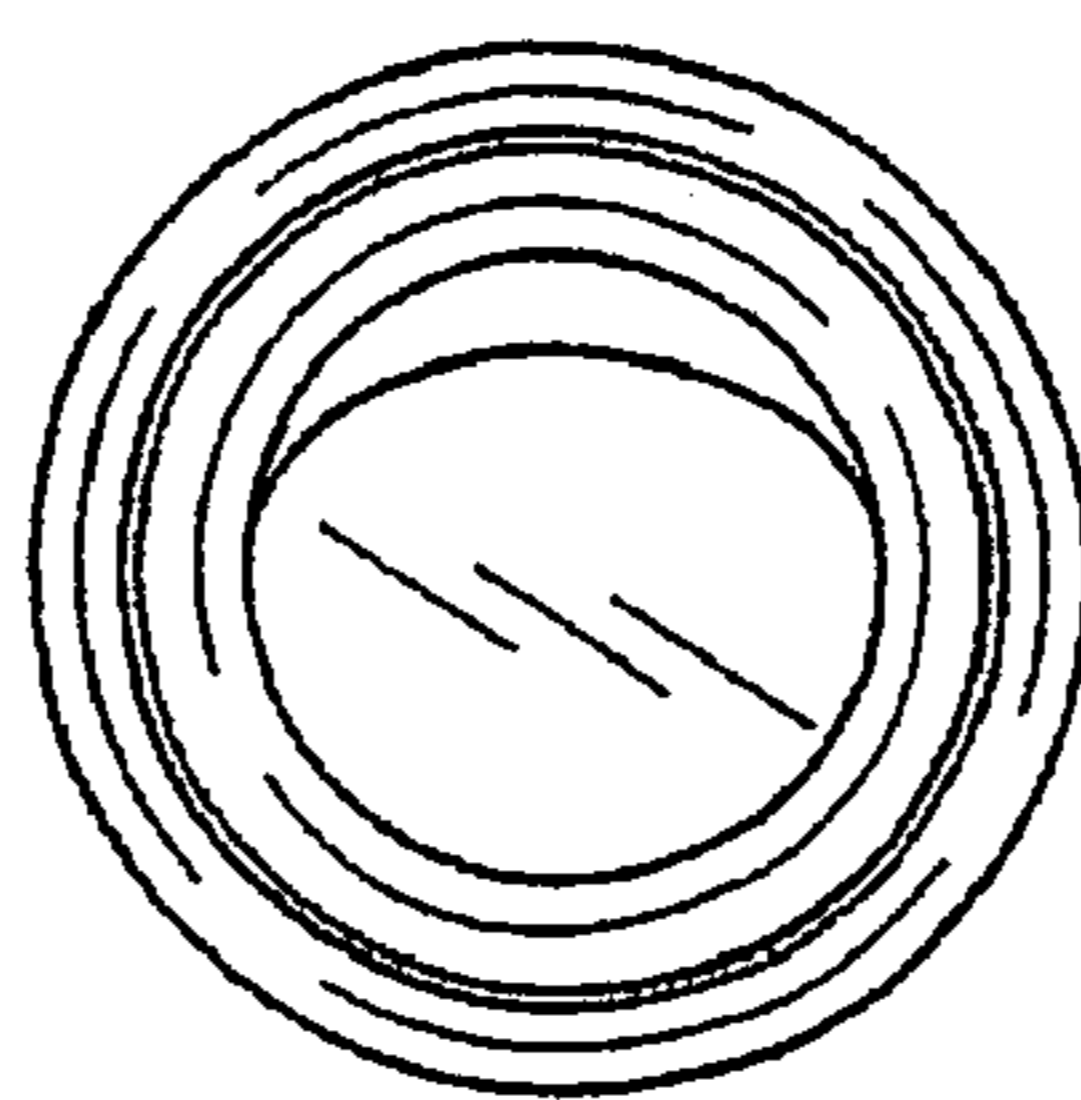


FIG. 15

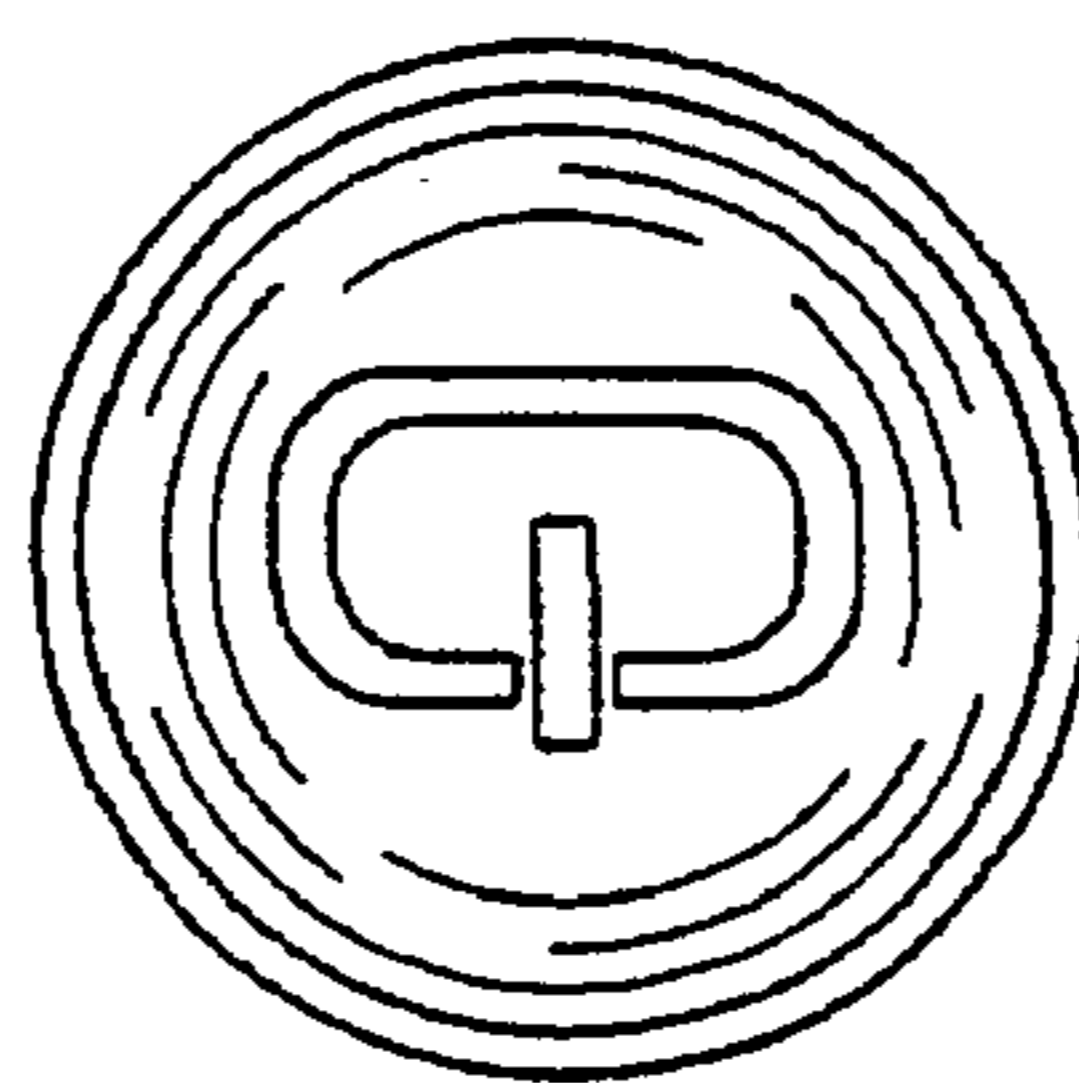


FIG. 16