



US00D666730S

(12) **United States Design Patent**  
**Del Solar et al.**

(10) **Patent No.:** **US D666,730 S**  
(45) **Date of Patent:** **\*\* Sep. 4, 2012**

(54) **SECURING DEVICE FOR A TEETHER OR PACIFIER**

(75) Inventors: **Maria A. Del Solar**, Stamford, CT (US);  
**Diana Sierra**, North Bergen, NJ (US)

(73) Assignee: **Playtex Products, LLC**, Shelton, CT (US)

(\*\*) Term: **14 Years**

(21) Appl. No.: **29/400,091**

(22) Filed: **Aug. 23, 2011**

**Related U.S. Application Data**

(62) Division of application No. 29/362,411, filed on May 25, 2010, now Pat. No. Des. 645,969.

(51) **LOC (9) Cl.** ..... **24-04**

(52) **U.S. Cl.** ..... **D24/194; D24/199**

(58) **Field of Classification Search** ..... D24/194,  
D24/195, 197, 199; D8/383, 394, 395; D9/434;  
D3/202, 316; D26/140; 314/104, 110, 111;  
224/148.6, 267; 24/3.12, 3.13, 301, 302,  
24/336, 337, 499, 504, 510, 511, 513, 515,  
24/516; 606/234, 236, 157; 248/102-104,  
248/316.5

See application file for complete search history.

(56) **References Cited**

**U.S. PATENT DOCUMENTS**

211,167 A	1/1879	Lobenstein	24/536
342,214 A	5/1886	Mandle	24/536
763,793 A	6/1904	Pickert	24/536
1,050,948 A	1/1913	Jones	24/536
1,688,765 A *	10/1928	Veras	248/103
2,337,723 A	12/1943	Levin	223/96
2,542,224 A	2/1951	Werner	24/536

2,827,055 A	3/1958	Carden	606/235
187,527 A	3/1960	Greene	D2/624
3,111,296 A *	11/1963	Ludes	248/103
3,767,092 A	10/1973	Gamson et al.	223/96
3,954,240 A *	5/1976	Schmidt et al.	248/104
4,086,686 A	5/1978	Takabayashi	24/504
D267,833 S	2/1983	Anderson	D11/202
D295,558 S	5/1988	Jefferson et al.	D24/194
4,765,037 A	8/1988	Perry	24/301
D300,281 S	3/1989	Coates	D2/863
4,865,239 A *	9/1989	Timbrook	224/267
4,920,614 A	5/1990	Tsukamoto	24/67.5
D310,716 S	9/1990	Trask	D24/195

(Continued)

*Primary Examiner* — Susan E Krakower

(74) *Attorney, Agent, or Firm* — Ohlandt, Greeley, Ruggiero & Perle, L.L.P.

(57) **CLAIM**

The ornamental design for a securing device for a teether or pacifier, as shown and described.

**DESCRIPTION**

FIG. 1 is a top and side perspective view of a securing device for a teether or pacifier according to the present disclosure; FIG. 2 is a bottom side perspective view of the securing device of FIG. 1;

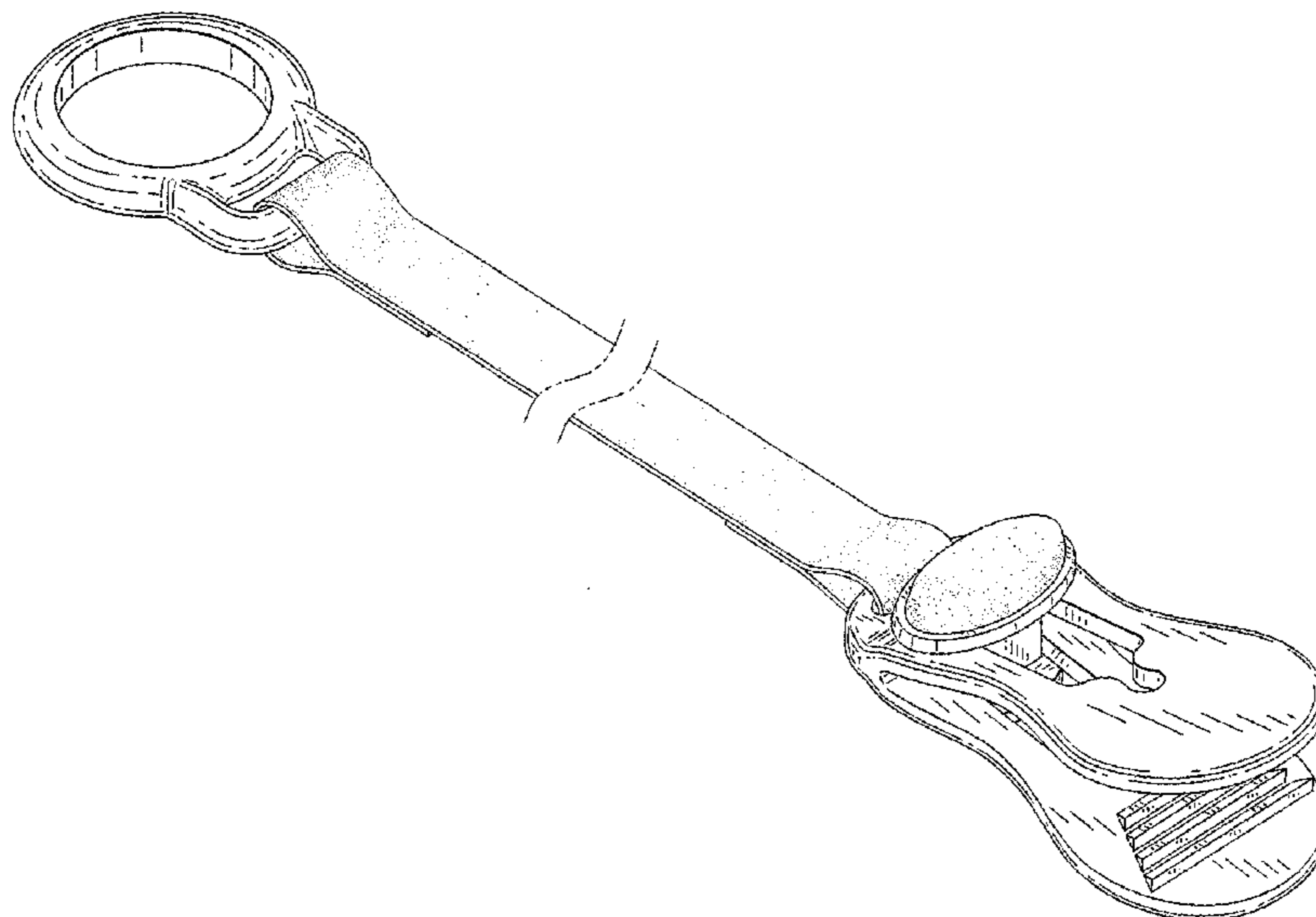
FIG. 3 is a top view of the securing device of FIG. 1; FIG. 4 is a bottom view of the securing device of FIG. 1; FIG. 5 is a side view of the securing device of FIG. 1, the opposite side being a mirror image thereto;

FIG. 6 is a front view of the securing device of FIG. 1; and, FIG. 7 is a rear view of the securing device of FIG. 1.

The broken lines in the drawings illustrating environmental structure or boundaries form no part of the claimed design.

The strap connecting the clip to the teether is shown broken away to indicate no specific length.

**1 Claim, 4 Drawing Sheets**



# US D666,730 S

Page 2

## U.S. PATENT DOCUMENTS

D314,430 S	2/1991	Smith et al. ....	D24/195	6,263,702 B1	7/2001	Lo .....	63/1.11
4,990,157 A	2/1991	Roberts et al. ....	606/234	6,321,422 B1	11/2001	Fildan et al. ....	24/537
4,994,075 A	2/1991	Smith et al. ....	606/235	D466,438 S	12/2002	Buettell .....	D11/200
5,016,845 A *	5/1991	Pellegrino .....	248/104	6,516,500 B2	2/2003	Ogino .....	24/504
D318,122 S	7/1991	Roberts .....	D24/194	6,638,298 B1	10/2003	Shefflin .....	606/234
D326,917 S	6/1992	Roberts et al. ....	D24/194	6,698,071 B1	3/2004	Greer, Jr. et al. ....	24/537
D326,918 S	6/1992	Roberts .....	D24/194	D488,288 S	4/2004	Eggers .....	D2/624
5,150,504 A	9/1992	Cohen .....	24/302	D490,235 S *	5/2004	Nykoluk .....	D3/202
D337,385 S	7/1993	Lussier .....	D24/194	D512,910 S *	12/2005	Haslam .....	D9/434
D341,891 S	11/1993	Held .....	D24/194	D525,117 S	7/2006	Mariano et al. ....	D8/395
D349,180 S	8/1994	Oldham .....	D2/624	7,131,214 B1	11/2006	Blackman et al. ....	33/761
5,388,313 A	2/1995	Cameron .....	24/537	7,152,284 B1	12/2006	Greer, Jr. et al. ....	24/537
D359,123 S	6/1995	Perrine .....	D24/195	7,204,845 B2	4/2007	Rohrig .....	606/234
5,460,347 A *	10/1995	Schacher .....	248/316.5	7,243,402 B2	7/2007	Andersen et al. ....	24/532
5,489,075 A *	2/1996	Ible .....	248/104	D559,989 S *	1/2008	Martinelli .....	D24/199
D368,821 S	4/1996	Michaud .....	D6/553	D568,483 S	5/2008	Spindler et al. ....	D24/199
D369,217 S	4/1996	Mitchell et al. ....	D24/193	7,422,509 B2	9/2008	Fildan et al. ....	450/86
D369,413 S	4/1996	Lodewyck et al. ....	D24/199	D599,651 S	9/2009	Riggsbee .....	D8/395
5,613,657 A *	3/1997	Olaiz .....	248/102	D611,678 S	3/2010	Bailey .....	D2/624
D380,268 S	6/1997	Krause et al. ....	D24/193	D614,946 S	5/2010	Herman .....	D8/395
D386,215 S	11/1997	White et al. ....	D20/43	D615,394 S	5/2010	Pearson et al. ....	D8/395
D393,074 S	3/1998	Fields et al. ....	D24/194	D619,495 S	7/2010	Herman .....	D11/215
5,733,295 A	3/1998	Back et al. ....	606/158	D621,128 S	8/2010	Glover .....	D2/624
D402,760 S	12/1998	Kline .....	D24/194	D621,129 S	8/2010	Glover .....	D2/624
D411,013 S	6/1999	Boyles .....	D24/193	D631,737 S	2/2011	Haas .....	D8/395
5,948,003 A	9/1999	Shefflin .....	606/234	D633,250 S *	2/2011	Kao .....	D26/140
D423,675 S	4/2000	Ramos, IV .....	D24/194	2005/0257353 A1	11/2005	Rohrig .....	24/537
6,193,742 B1	2/2001	Moriarty .....	606/234	2008/0149672 A1 *	6/2008	Frauhiger .....	224/148.6
D439,202 S	3/2001	Takabayashi .....	D11/215				

\* cited by examiner

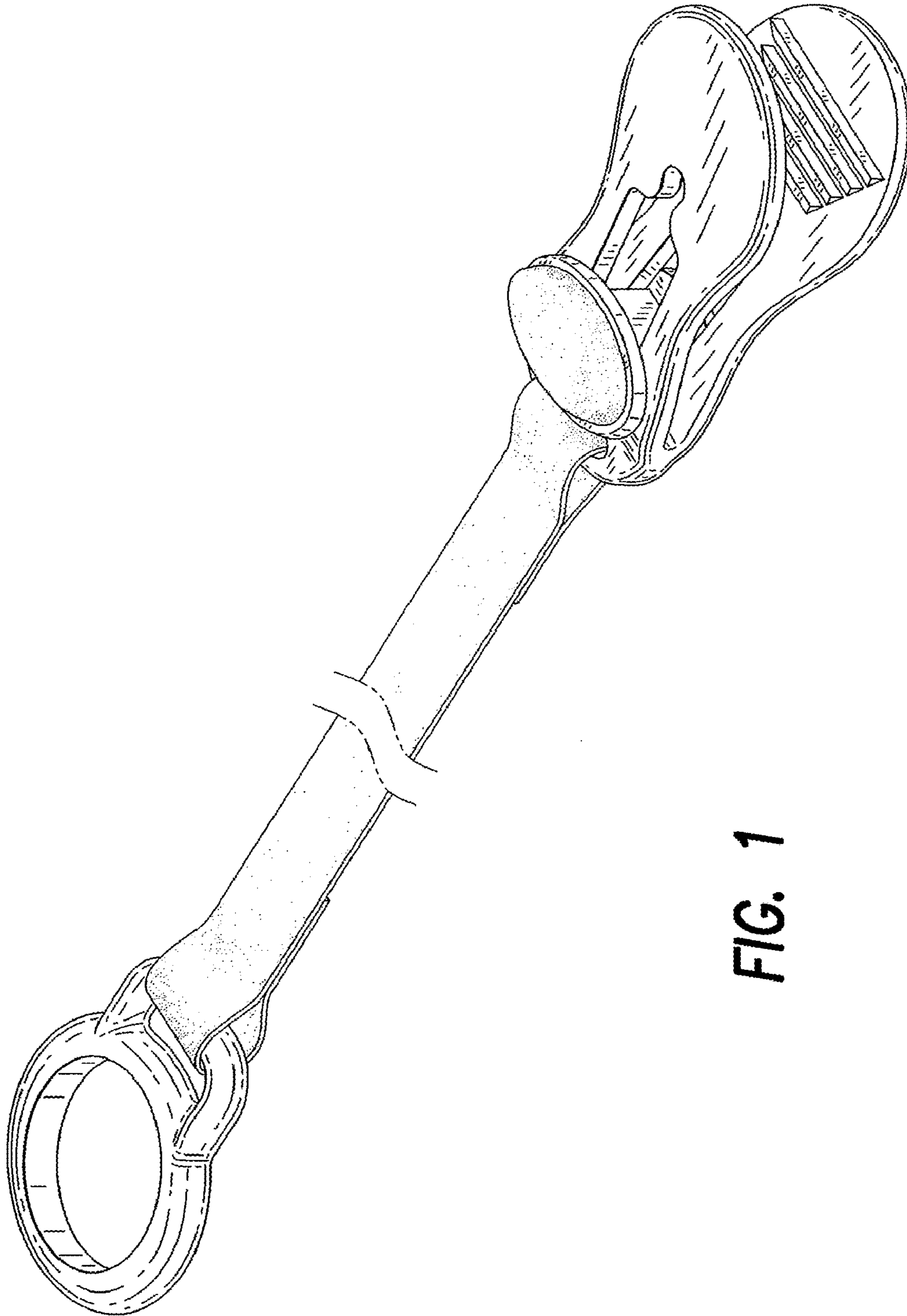


FIG. 1

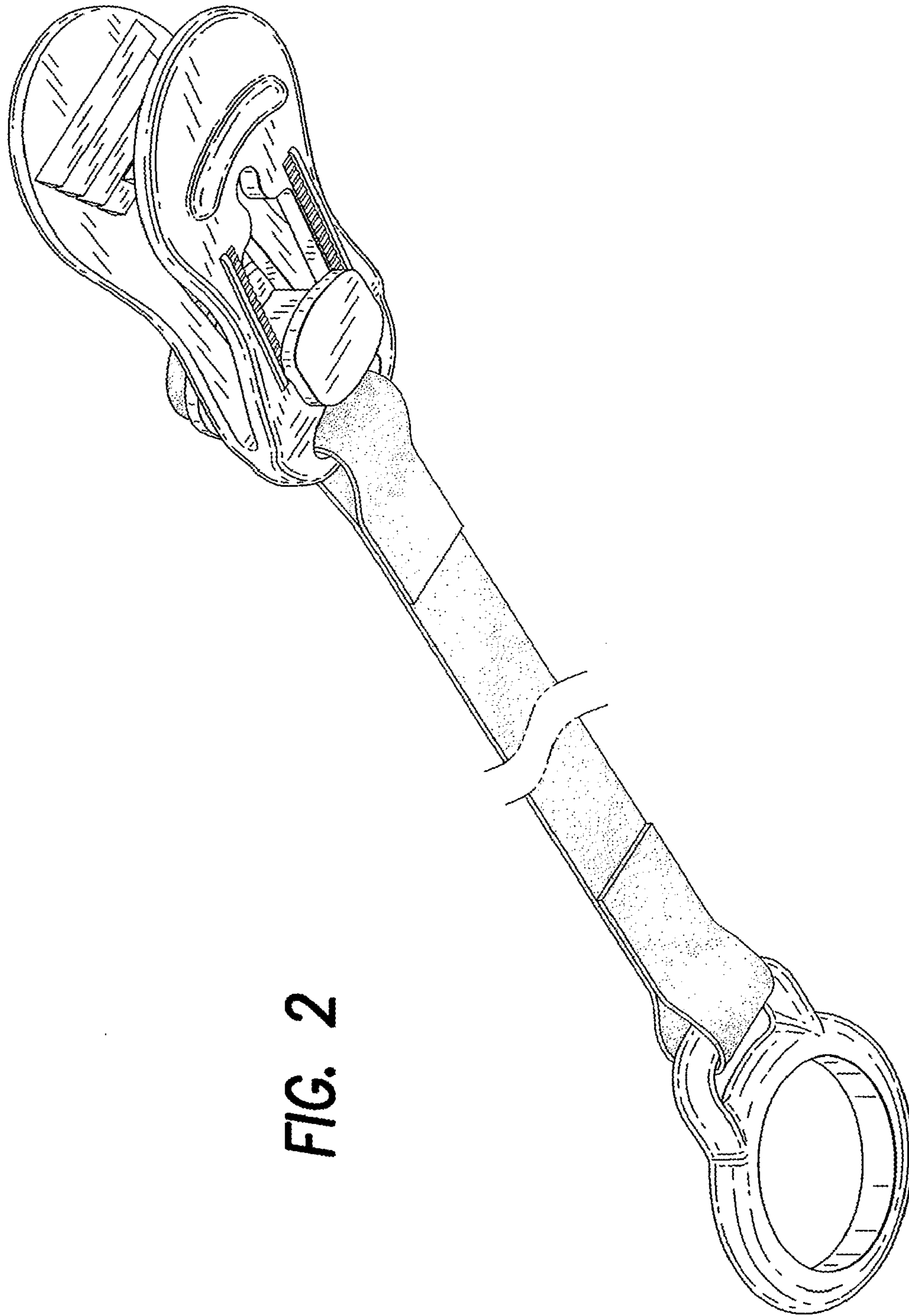


FIG. 2

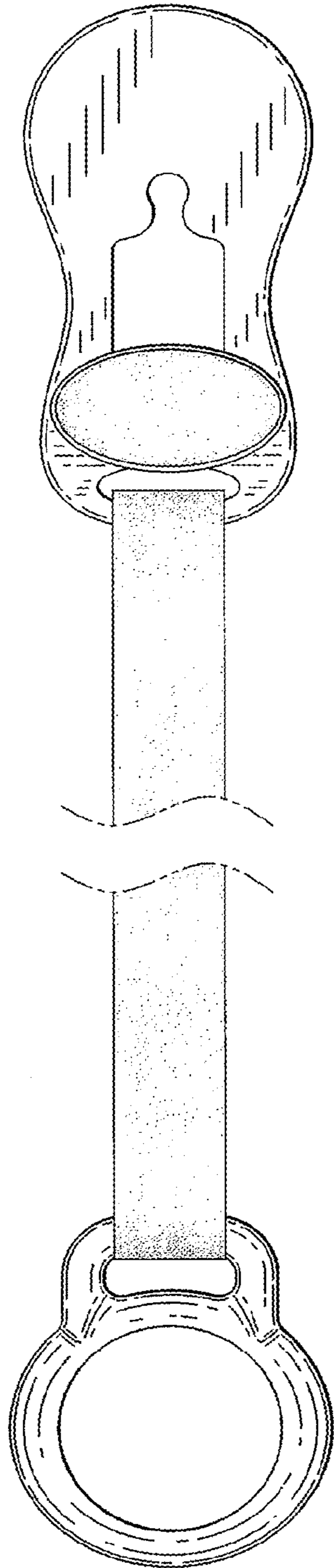


FIG. 3

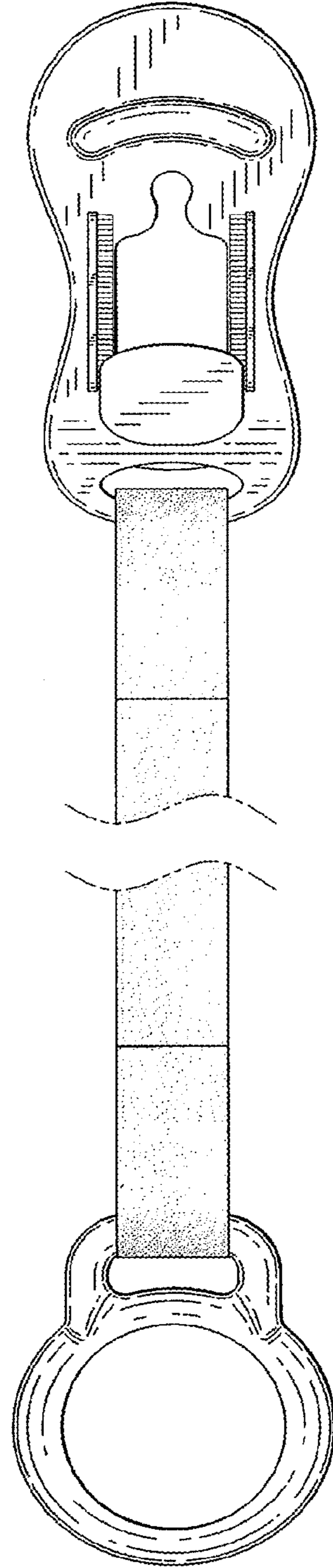


FIG. 4

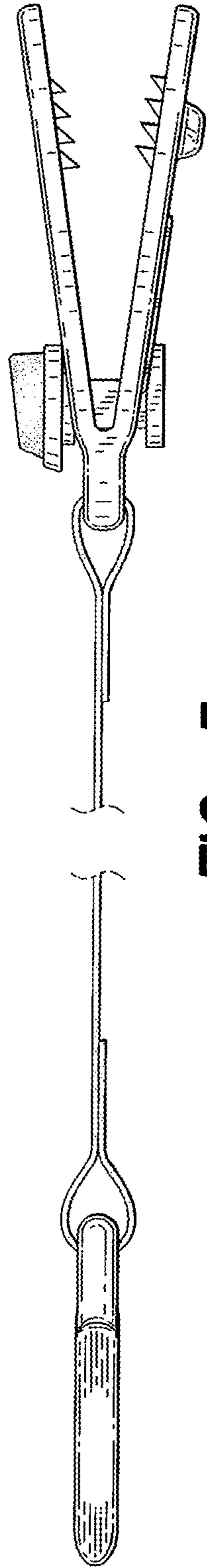


FIG. 5

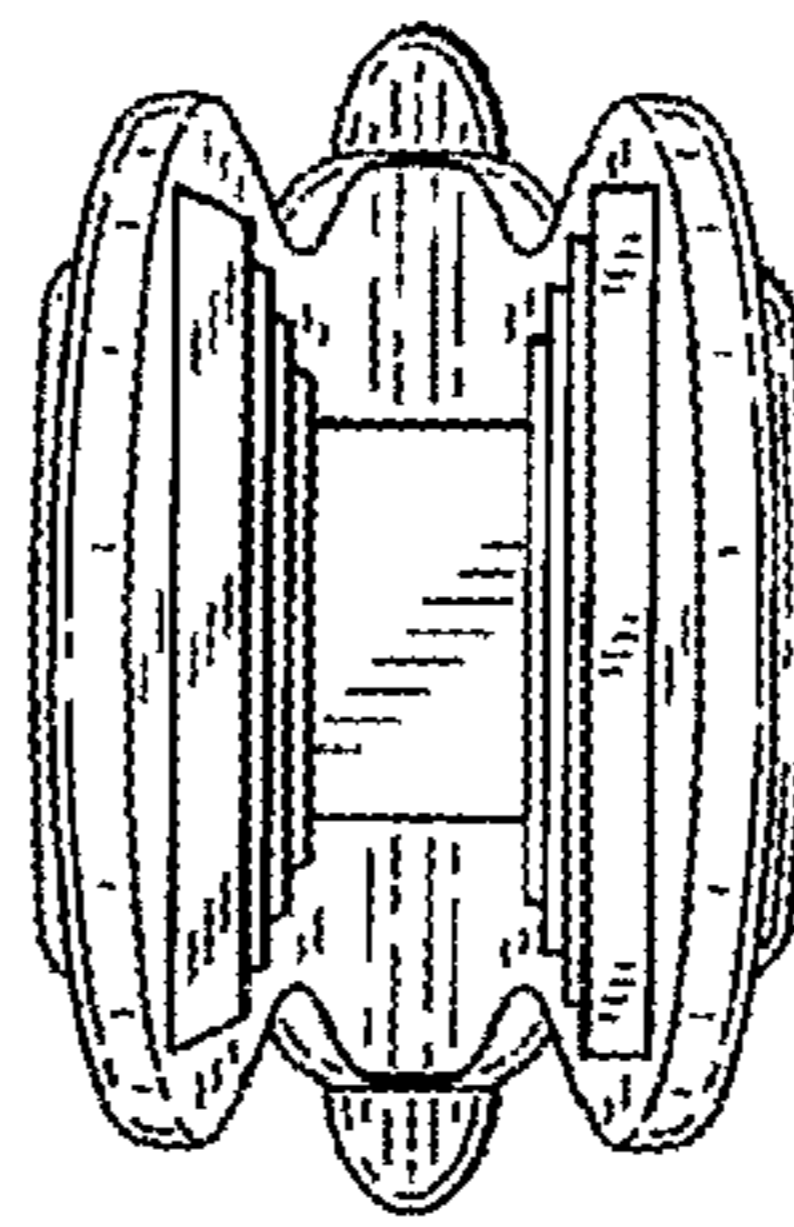


FIG. 6

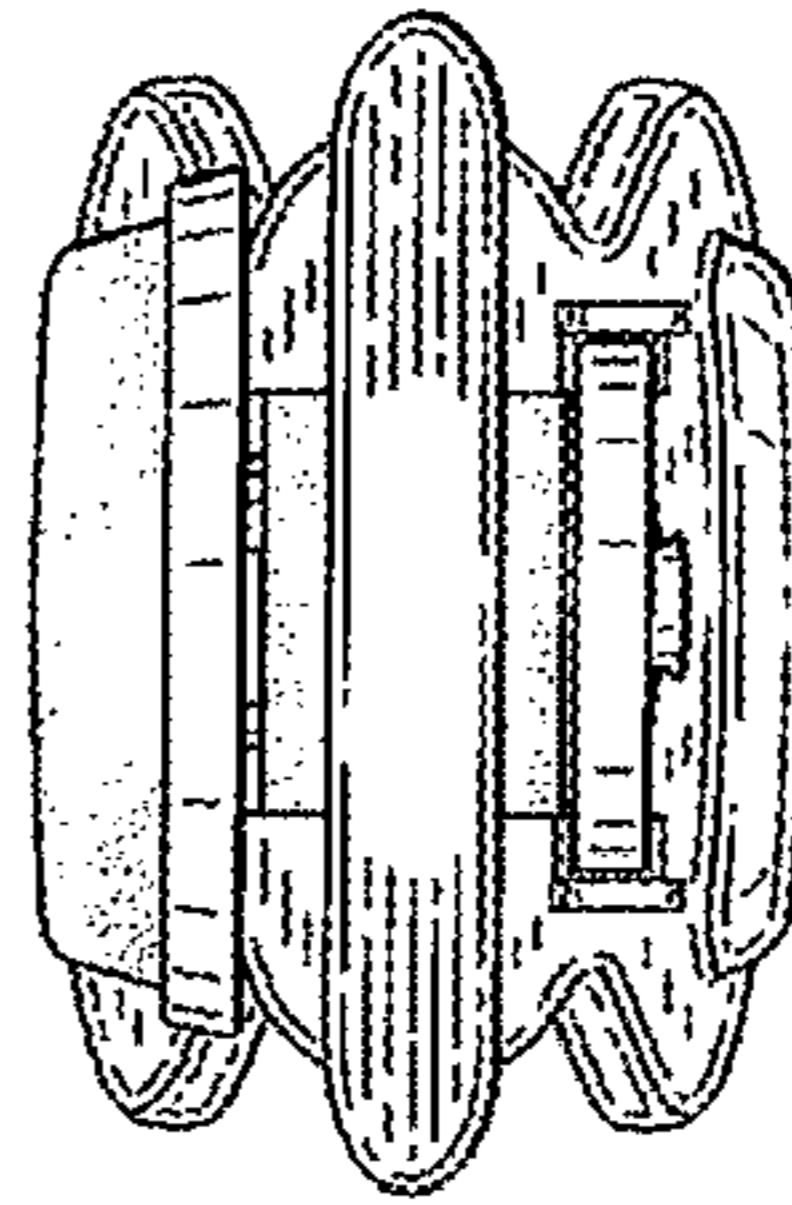


FIG. 7