



US00D666726S

(12) **United States Design Patent**
Davis et al.

(10) **Patent No.:** **US D666,726 S**
(45) **Date of Patent:** **** Sep. 4, 2012**

(54) **BITE BLOCK**

(75) Inventors: **Layne Davis**, Juliette, GA (US);
Christopher Menard, Forsyth, GA (US)

(73) Assignee: **Surgovations, LLC**, Forsyth, GA (US)

(**) Term: **14 Years**

(21) Appl. No.: **29/405,137**

(22) Filed: **Oct. 28, 2011**

(51) **LOC (9) Cl.** **24-01**

(52) **U.S. Cl.** **D24/181**

(58) **Field of Classification Search** D24/152,
D24/155-156, 176, 180-181; D29/108;
128/859, 861; 433/60, 71, 140, 213, 215,
433/93, 138

See application file for complete search history.

(56) **References Cited**

U.S. PATENT DOCUMENTS

2,521,084	A	9/1950	Oberto	
2,669,988	A	2/1954	Carpenter	
2,882,893	A	4/1959	Godfroy	
4,112,936	A	9/1978	Blachly	
4,270,531	A	6/1981	Blachly et al.	
4,425,911	A	1/1984	Luomanen et al.	
4,470,409	A *	9/1984	Prusmack	433/140
4,495,945	A	1/1985	Liegner	
4,975,057	A *	12/1990	Dyfvemark	433/93
5,235,991	A	8/1993	Minneman	
5,421,327	A *	6/1995	Flynn et al.	128/912
5,533,524	A	7/1996	Minneman	

5,638,811	A	6/1997	David	
6,241,521	B1 *	6/2001	Garrison	433/140
6,450,167	B1	9/2002	David et al.	
6,716,029	B2 *	4/2004	Fischer et al.	433/140
6,890,322	B2	5/2005	Bertoch et al.	
D531,314	S *	10/2006	Atkinson et al.	D24/181
D538,926	S	3/2007	Jeong et al.	
7,490,609	B2 *	2/2009	Brown	128/859
D615,187	S	5/2010	Bowden	
D639,959	S *	6/2011	Westerlund	D24/181
2009/0035718	A1 *	2/2009	Coffee	433/93

* cited by examiner

Primary Examiner — Wan Laymon

(74) *Attorney, Agent, or Firm* — Sutherland Asbill & Brennan LLP

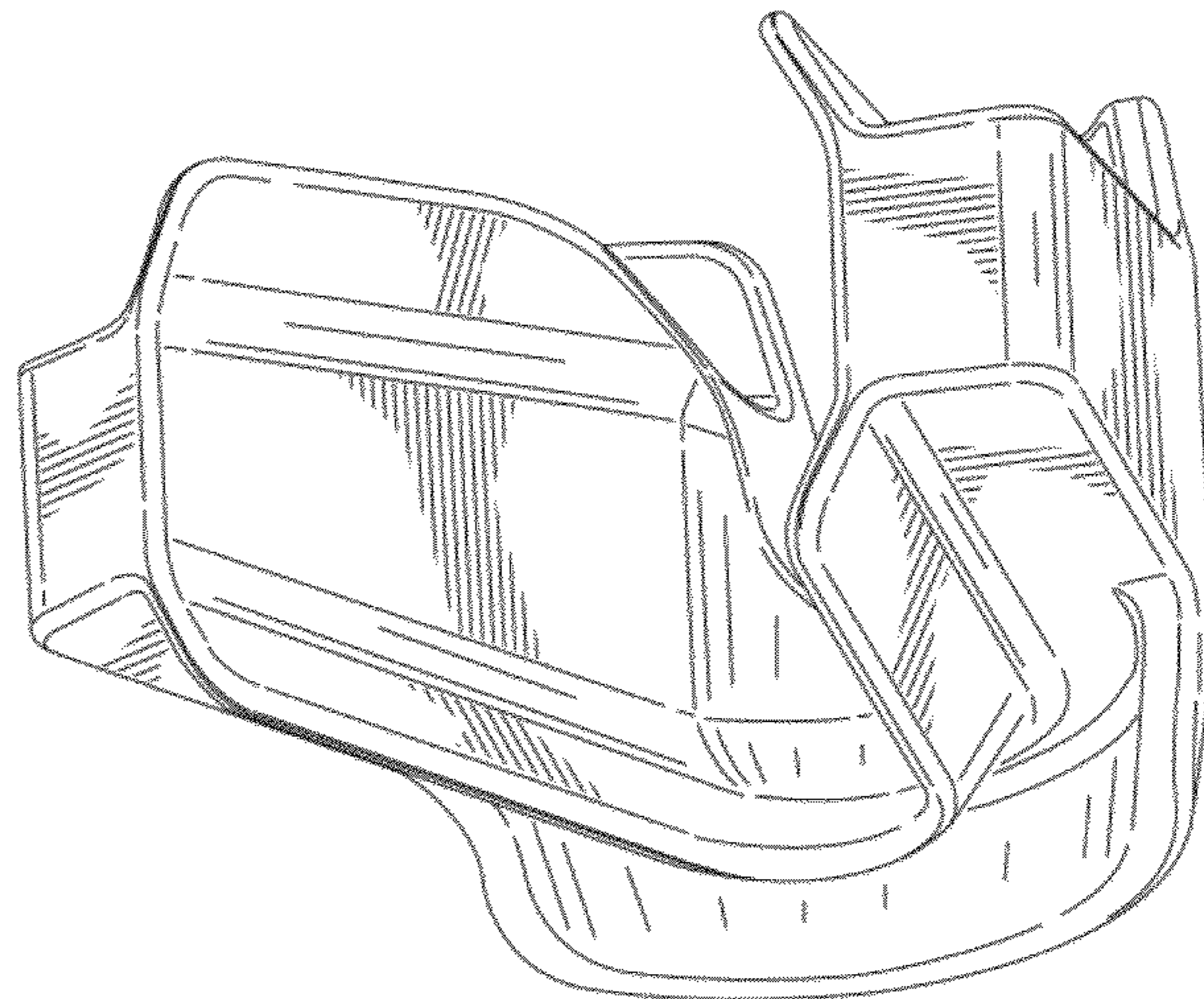
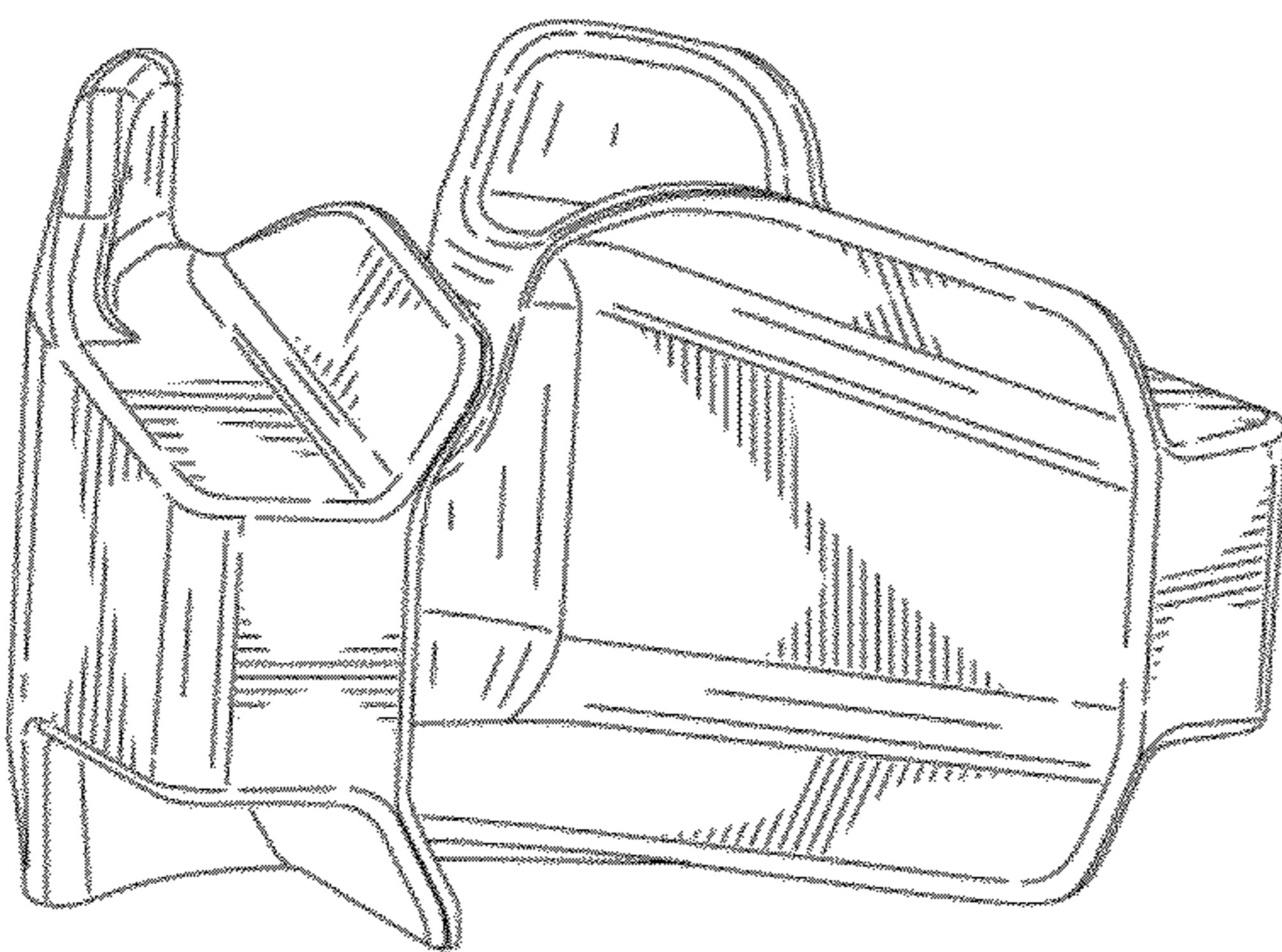
(57) **CLAIM**

The ornamental design for a bite block, as shown.

DESCRIPTION

FIG. 1 is a side perspective view of the bite block;
FIG. 2 is another side perspective view thereof;
FIG. 3 is a front view thereof;
FIG. 4 is a side view thereof;
FIG. 5 is a top view thereof;
FIG. 6 is a bottom view thereof;
FIG. 7 is a front and bottom perspective view thereof;
FIG. 8 is another front and bottom perspective view thereof;
and,
FIG. 9 is a side front and bottom perspective view thereof.

1 Claim, 5 Drawing Sheets



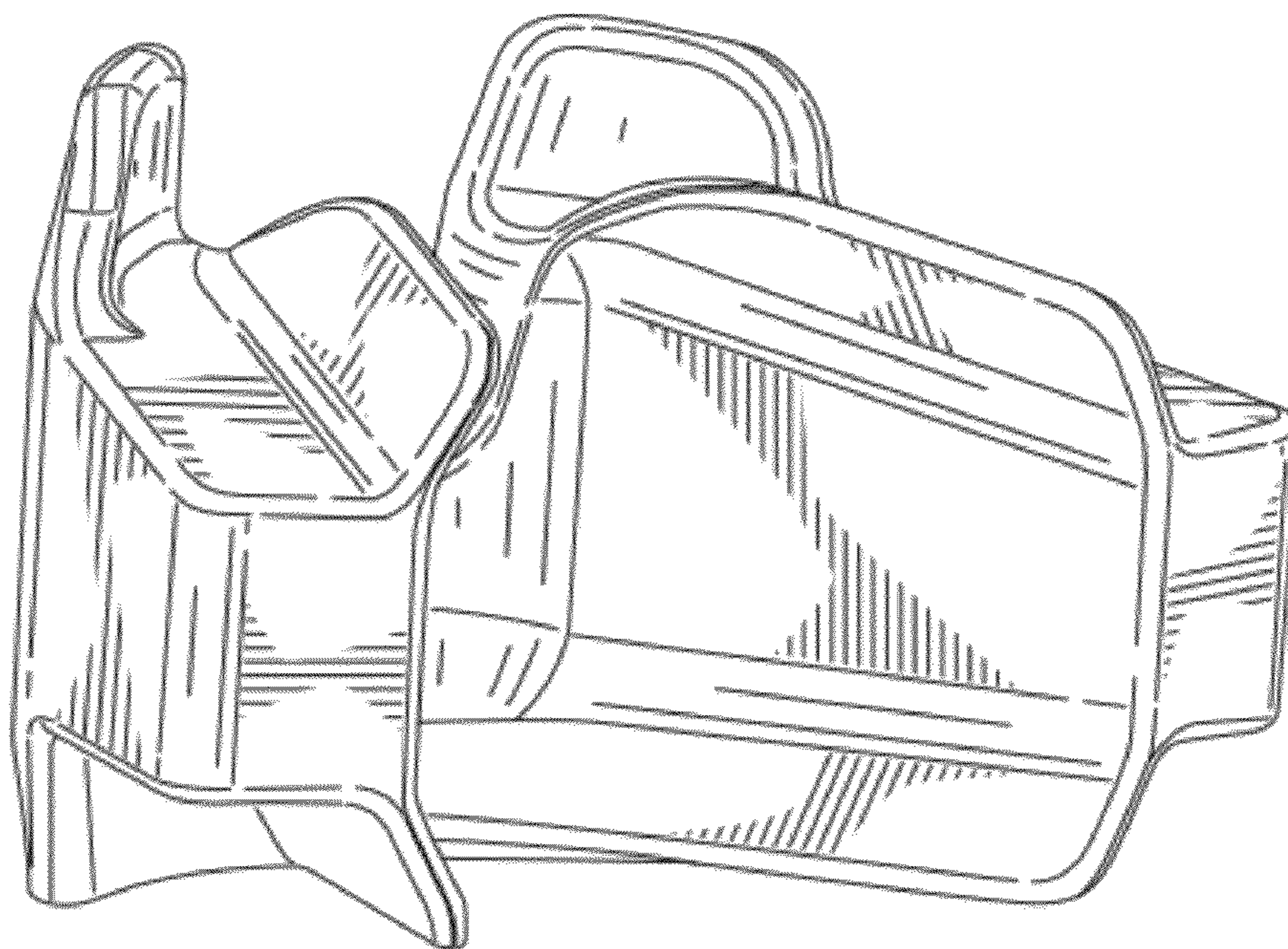


FIG. 1

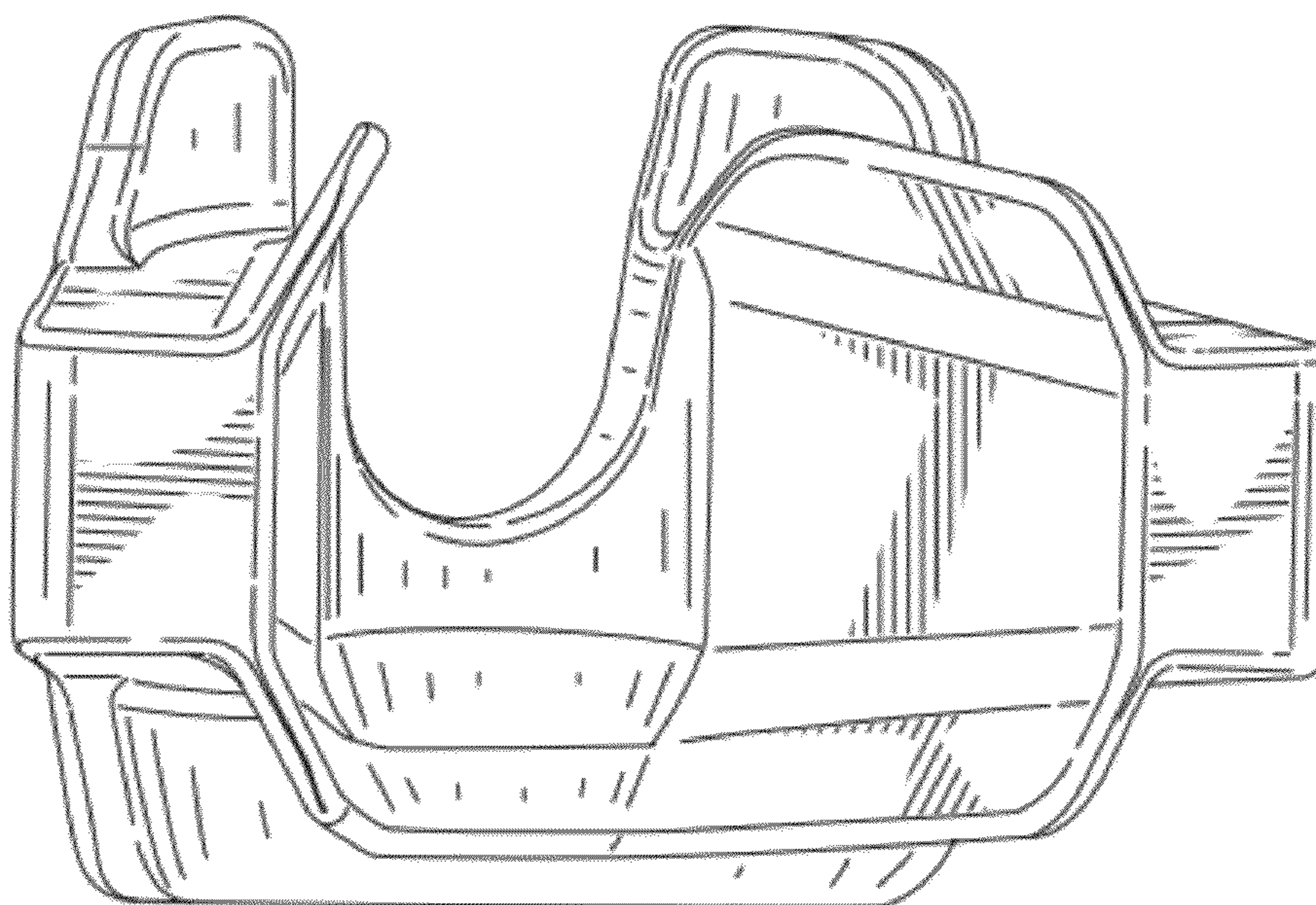


FIG. 2

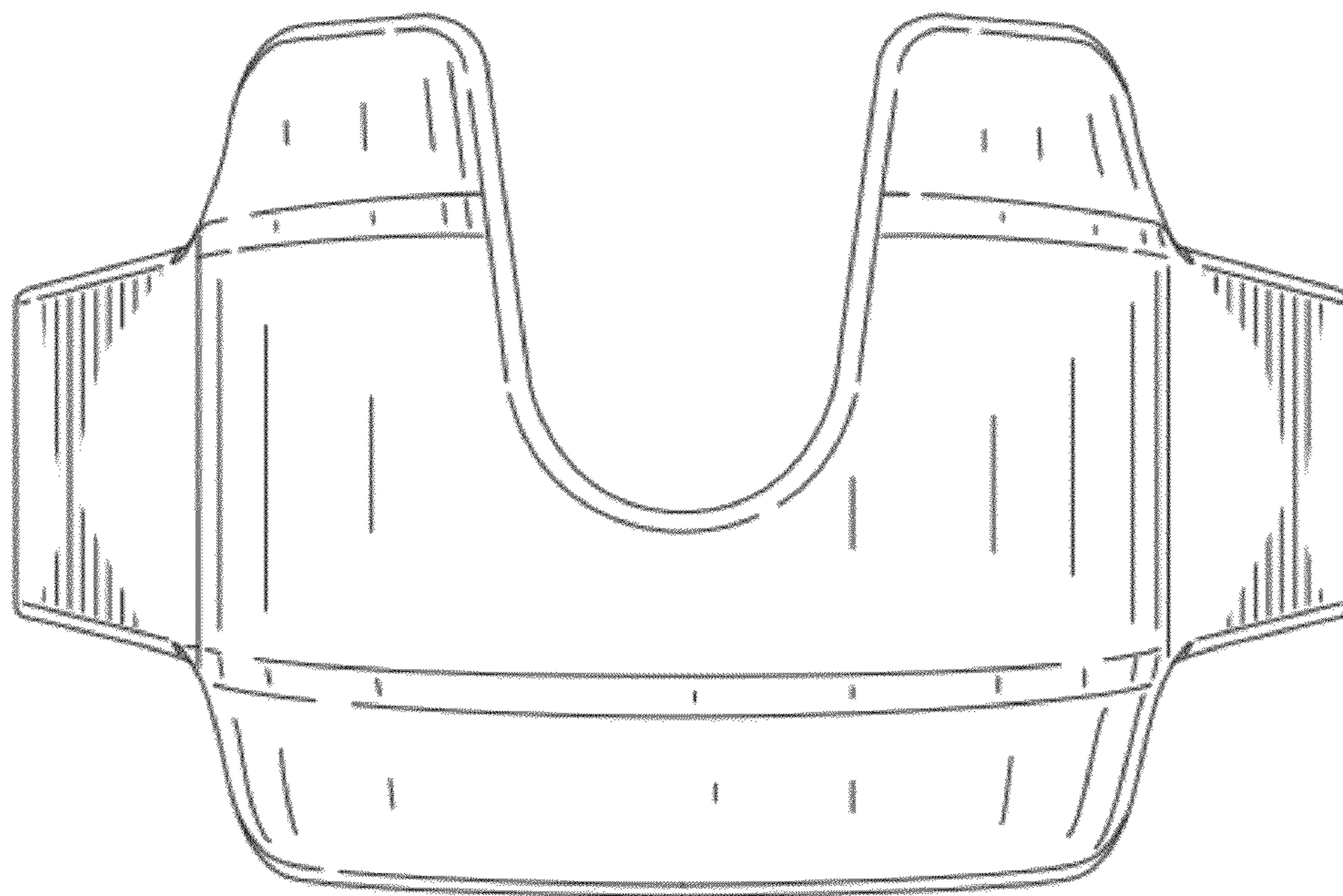


FIG. 3

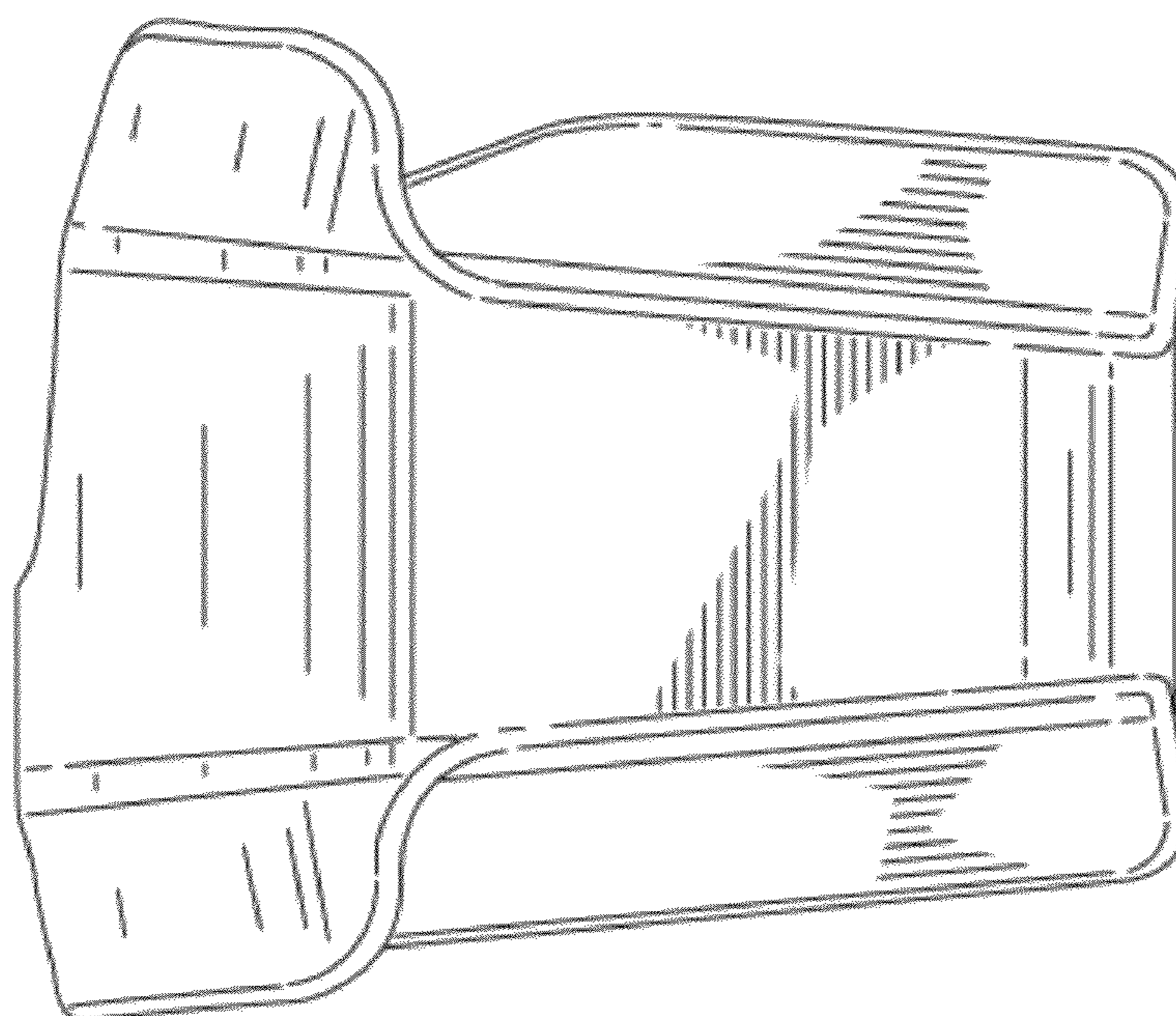


FIG. 4

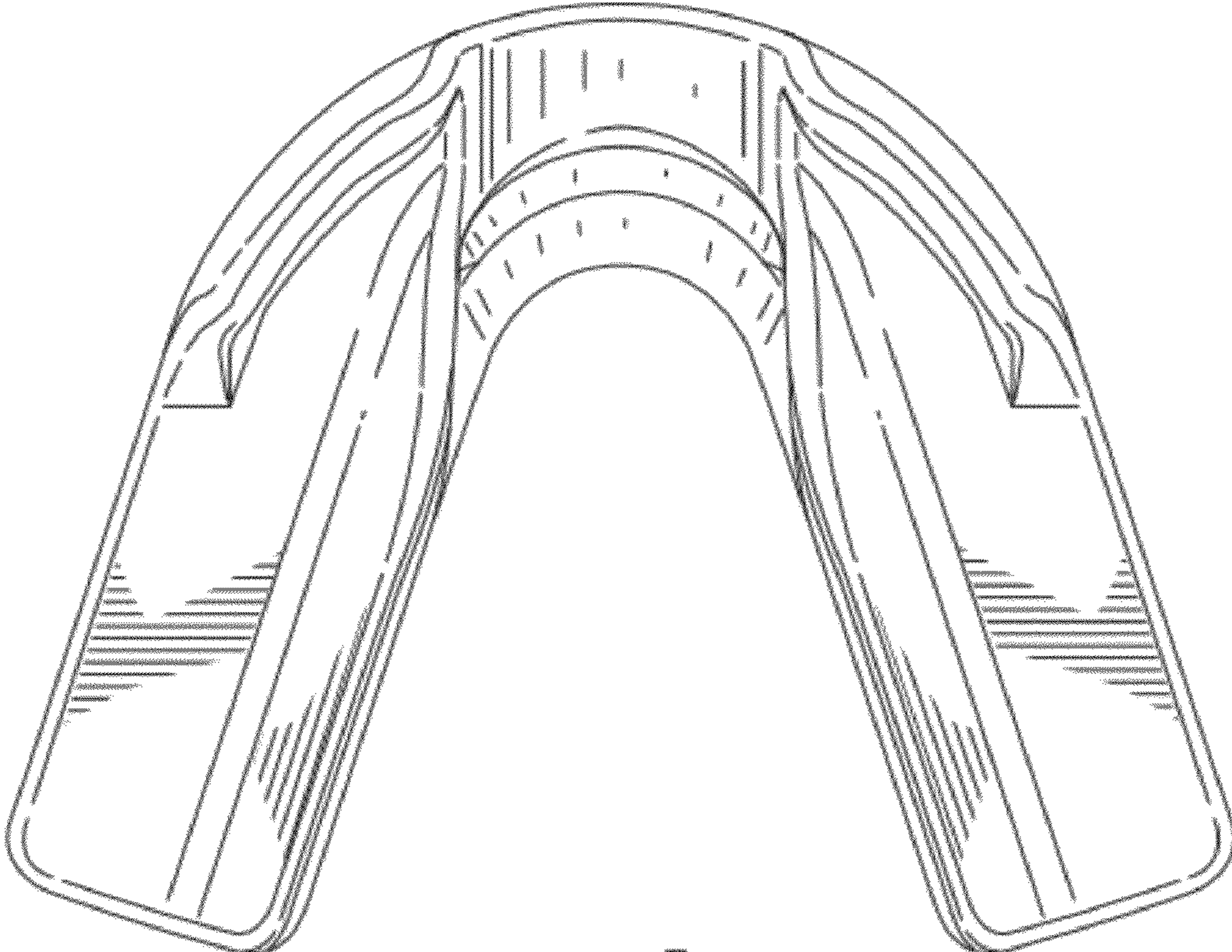


FIG. 5

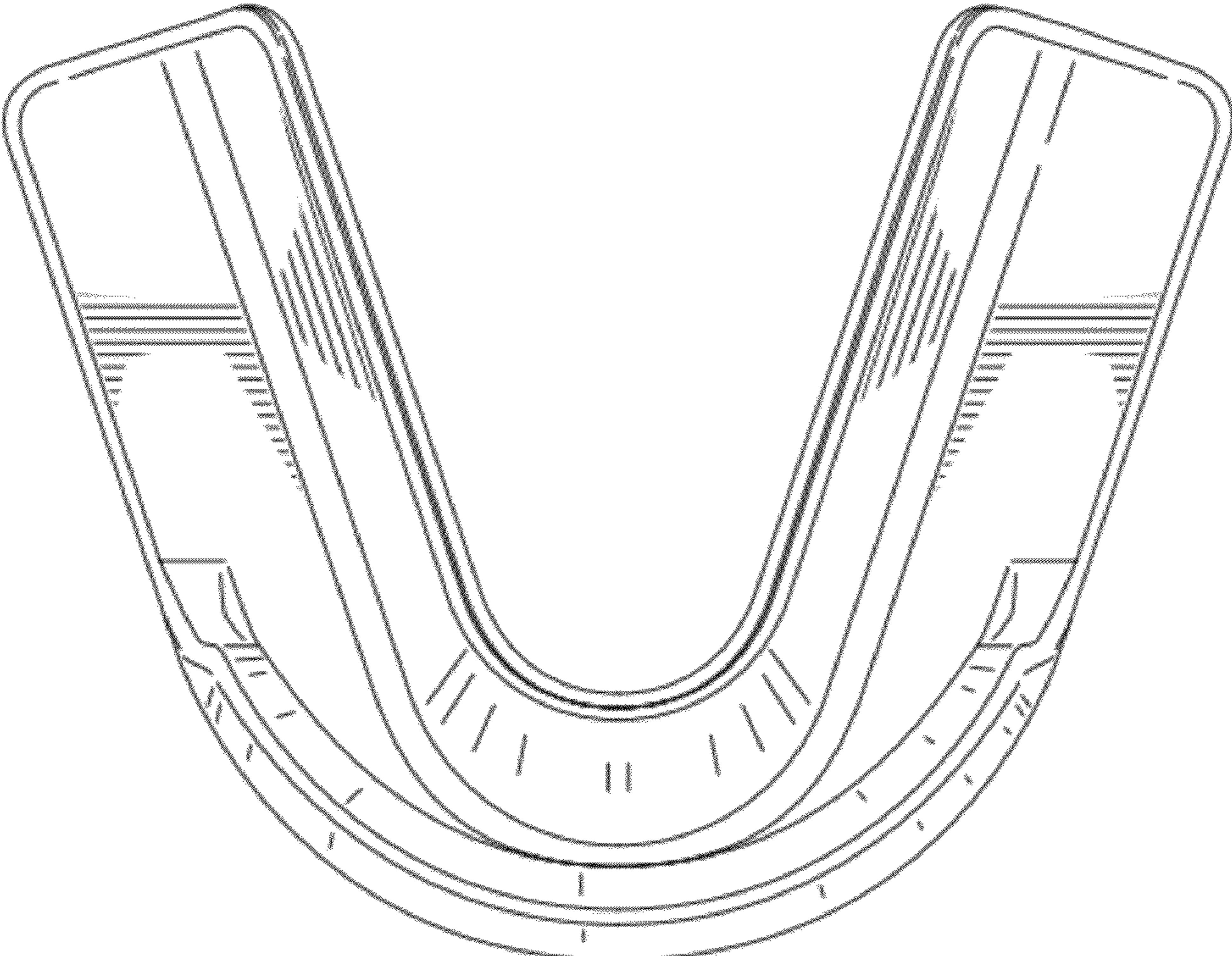


FIG. 6

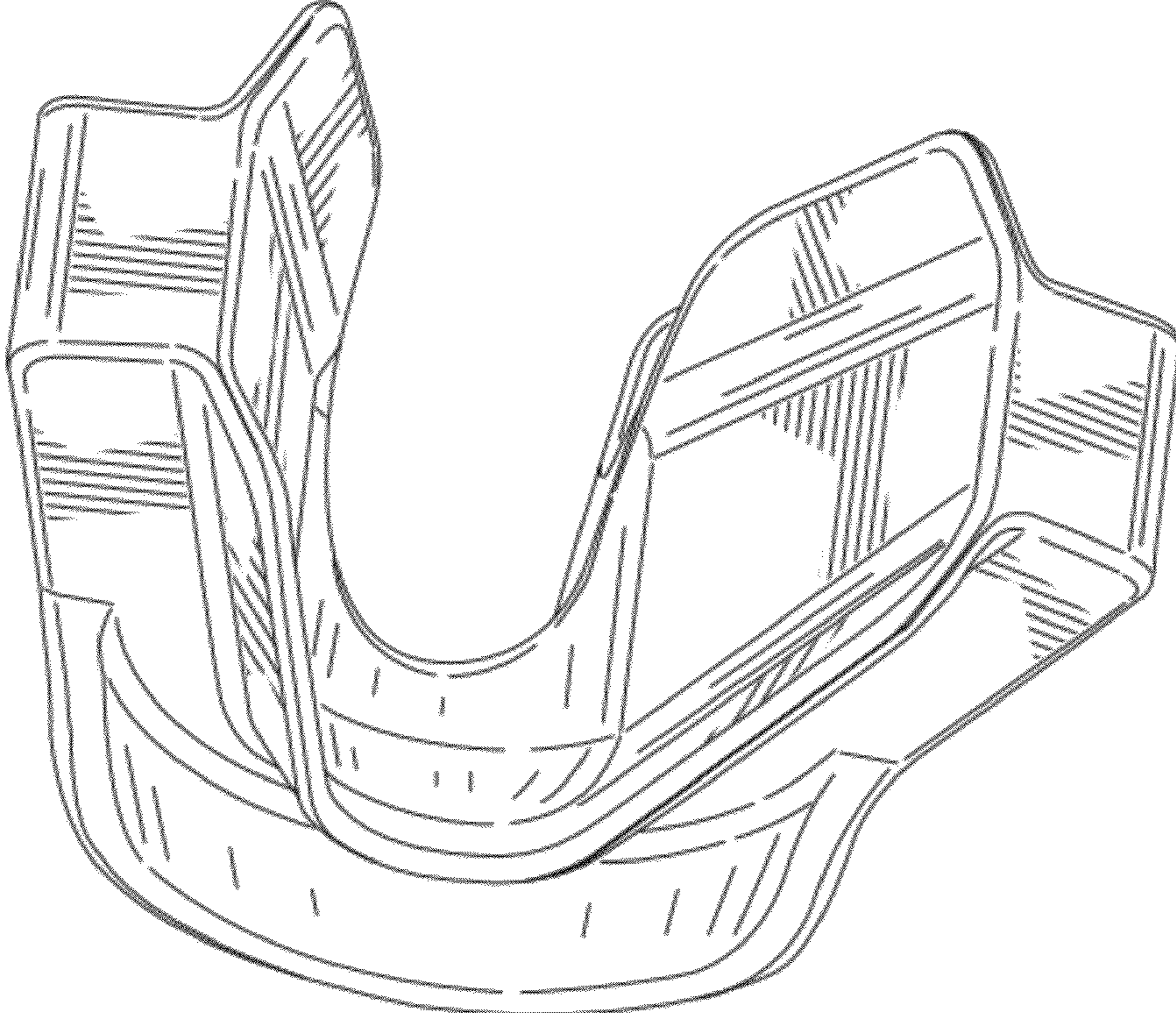


FIG. 7

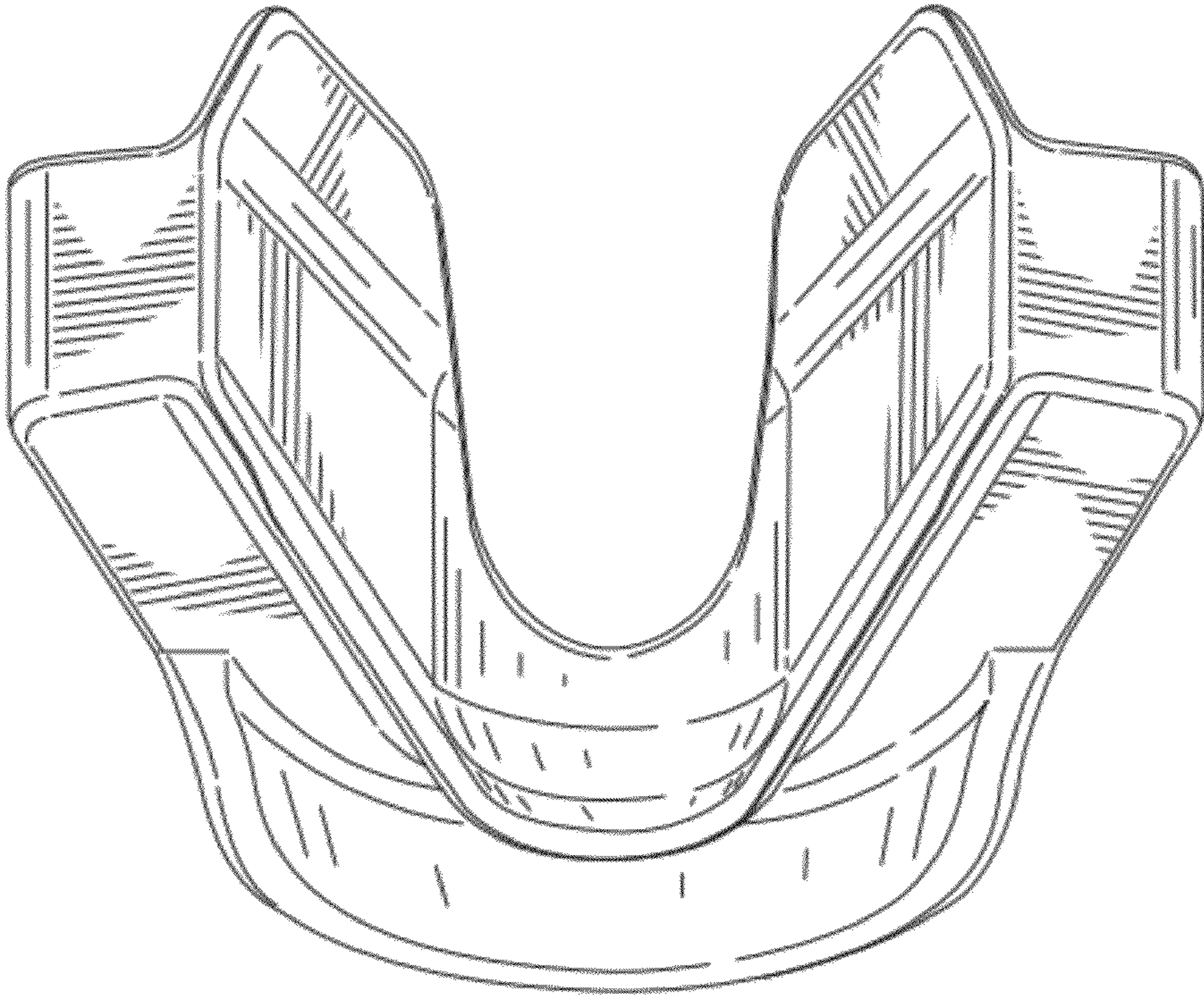


FIG. 8

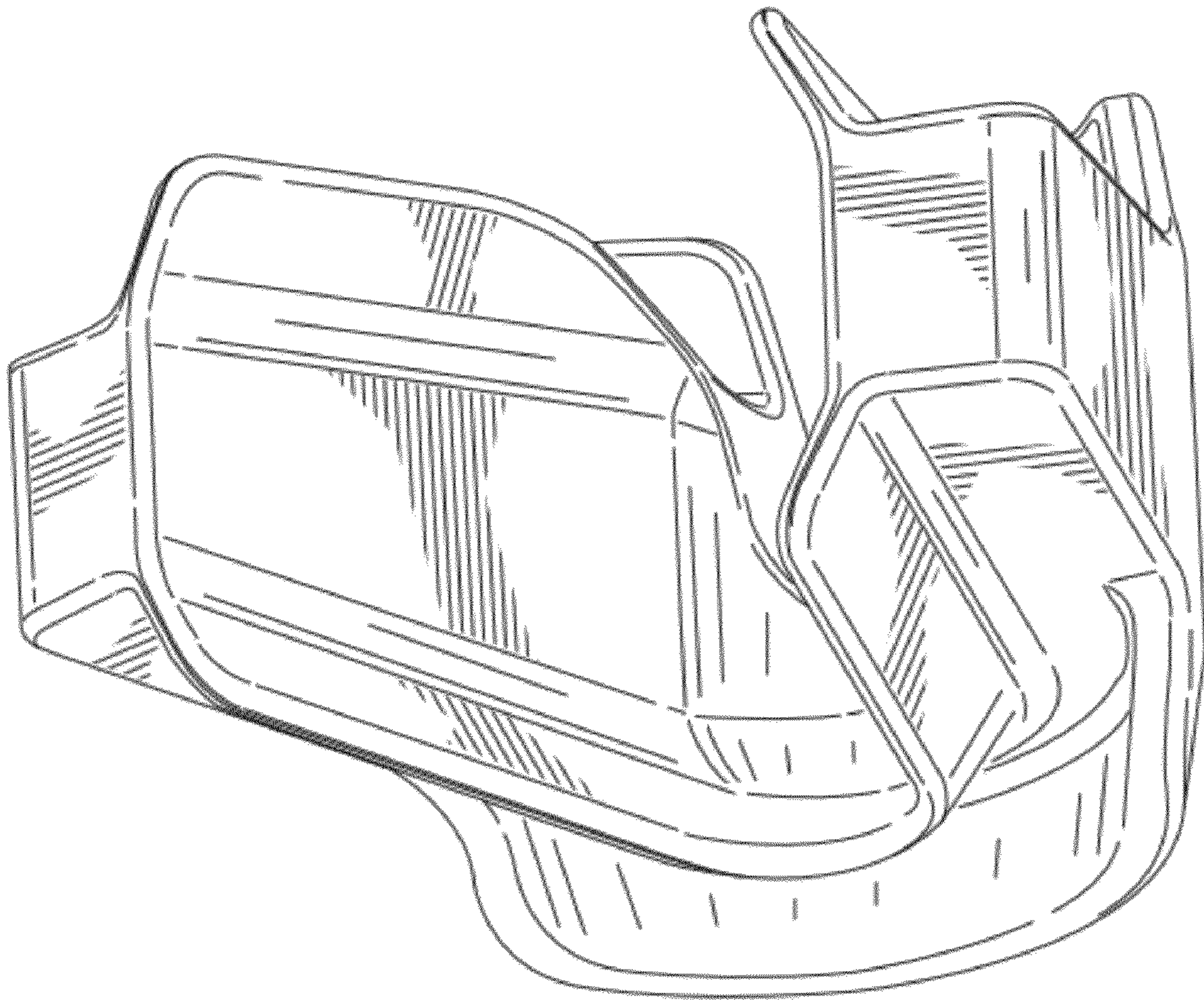


FIG. 9