

US00D666721S

(12) **United States Design Patent**  
**Wright et al.**

(10) **Patent No.:** **US D666,721 S**  
(45) **Date of Patent:** **\*\* Sep. 4, 2012**

- (54) **PATELLA RESECTION GUIDE**
- (75) Inventors: **Abraham Wright**, Warsaw, IN (US);  
**Olen Borkholder**, Milford, IN (US);  
**Kent Whitton**, Warsaw, IN (US);  
**Duncan Young**, Hebden Bridge West  
(GB); **Rusty Meier**, Warsaw, IN (US)
- (73) Assignee: **DePuy Products, Inc.**, Warsaw, IN (US)
- (\*\*) Term: **14 Years**
- (21) Appl. No.: **29/396,512**
- (22) Filed: **Jun. 30, 2011**
- (51) **LOC (9) Cl.** ..... **24-02**
- (52) **U.S. Cl.** ..... **D24/140**
- (58) **Field of Classification Search** ..... D24/133,  
D24/140, 143, 144, 145, 146, 147; 606/86 R,  
606/87, 88, 89  
See application file for complete search history.

5,941,884 A	8/1999	Corvelli et al.	
5,968,051 A	10/1999	Luckman et al.	
6,010,509 A	1/2000	Delgado et al.	
6,205,884 B1	3/2001	Foley et al.	
D459,474 S	6/2002	Bratt et al.	
6,419,675 B1	7/2002	Gallo, Sr.	
D463,550 S	9/2002	Sherman	
6,866,667 B2	3/2005	Wood et al.	
D549,331 S *	8/2007	Tomatsu et al.	D24/135
7,344,540 B2	3/2008	Smucker et al.	
7,632,279 B2 *	12/2009	Bastian	606/88

(Continued)

**OTHER PUBLICATIONS**

P.F.C. Sigma Rotating Platform Knee System with M.B.T Tray, Primary Procedure with a Curved or Posterior Stabilised Implant, 2003, 43 pages.

(Continued)

*Primary Examiner* — Bridget L Eland  
(74) *Attorney, Agent, or Firm* — Barnes & Thornburg LLP

(56) **References Cited**

**U.S. PATENT DOCUMENTS**

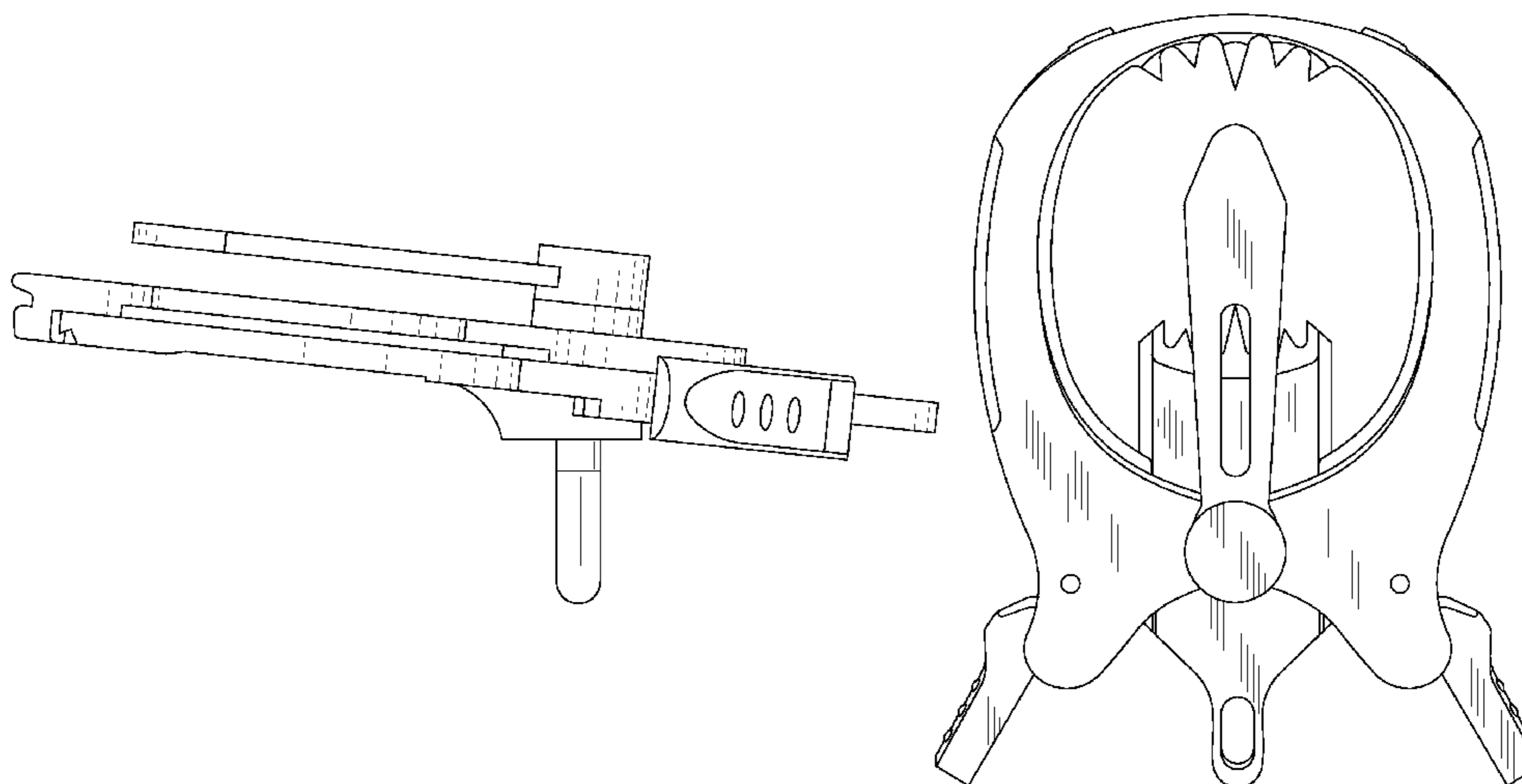
3,835,849 A	9/1974	Mc Guire	
D260,927 S	9/1981	Glenn	
D281,622 S	12/1985	Diamond	
4,565,192 A	1/1986	Shapiro	
4,633,862 A *	1/1987	Petersen	606/88
5,108,401 A	4/1992	Insall et al.	
5,147,365 A	9/1992	Whitlock et al.	
5,250,050 A *	10/1993	Poggie et al.	606/79
5,284,482 A	2/1994	Mikhail	
5,382,254 A	1/1995	McGarry et al.	
5,470,328 A	11/1995	Furnish et al.	
5,484,451 A	1/1996	Akopov et al.	
D367,531 S	2/1996	Price	
5,520,692 A	5/1996	Ferrante	
5,542,947 A *	8/1996	Treacy	606/88
D373,635 S	9/1996	Price	
5,582,615 A	12/1996	Foshee et al.	
5,611,802 A *	3/1997	Samuelson et al.	606/86 R
5,626,607 A	5/1997	Malecki et al.	
5,667,512 A	9/1997	Johnson	
5,827,279 A	10/1998	Hughett et al.	

(57) **CLAIM**  
We claim the ornamental design for a patella resection guide, as shown and described.

**DESCRIPTION**

FIG. 1 is a perspective view of a design of a patella resection guide;  
FIG. 2 is a first side elevation view of the patella resection guide of FIG. 1 shown removed from its environment in order to show aspects of the design that are not apparent in the perspective view;  
FIG. 3 is a second side elevation view thereof;  
FIG. 4 is a front elevation view thereof;  
FIG. 5 is a rear elevation view thereof;  
FIG. 6 is a top plan view thereof; and,  
FIG. 7 is a bottom plan view thereof.  
The features shown in broken lines depict environmental subject matter only and form no part of the claimed design.

**1 Claim, 5 Drawing Sheets**



# US D666,721 S

Page 2

## U.S. PATENT DOCUMENTS

7,780,594 B2 \* 8/2010 Hutton ..... 600/219  
7,806,899 B2 \* 10/2010 Hogg et al. .... 606/88  
7,878,989 B2 2/2011 McMinn  
D638,541 S 5/2011 Claypool  
D642,678 S 8/2011 Dockstader et al.  
D646,389 S \* 10/2011 Claypool et al. .... D24/140  
2002/0115987 A1 8/2002 Hildwein et al.  
2005/0240196 A1 10/2005 Davis et al.  
2006/0142777 A1 6/2006 Bastian  
2007/0118141 A1 \* 5/2007 Marchyn et al. .... 606/88  
2007/0233142 A1 \* 10/2007 Oliver ..... 606/88  
2007/0260227 A1 11/2007 Phan  
2008/0097450 A1 4/2008 Brown et al.  
2008/0114366 A1 \* 5/2008 Smucker et al. .... 606/88

2008/0228190 A1 9/2008 Sherry et al.  
2009/0264737 A1 10/2009 Haechler et al.  
2010/0152742 A1 \* 6/2010 Nevelos et al. .... 606/89

## OTHER PUBLICATIONS

LCS High Performance Instruments, Surgical Technique, 2008, 44 pages.  
Sigma High Performance Instruments, Design Rationale, 2007, 12 pages.  
Sigma High Performance Instruments, Classic Surgical Technique, 2010, 52 pages.  
European Search Report, European Patent Application No. 11175824.9-2310, Dec. 16, 2011, 8 pages.

\* cited by examiner

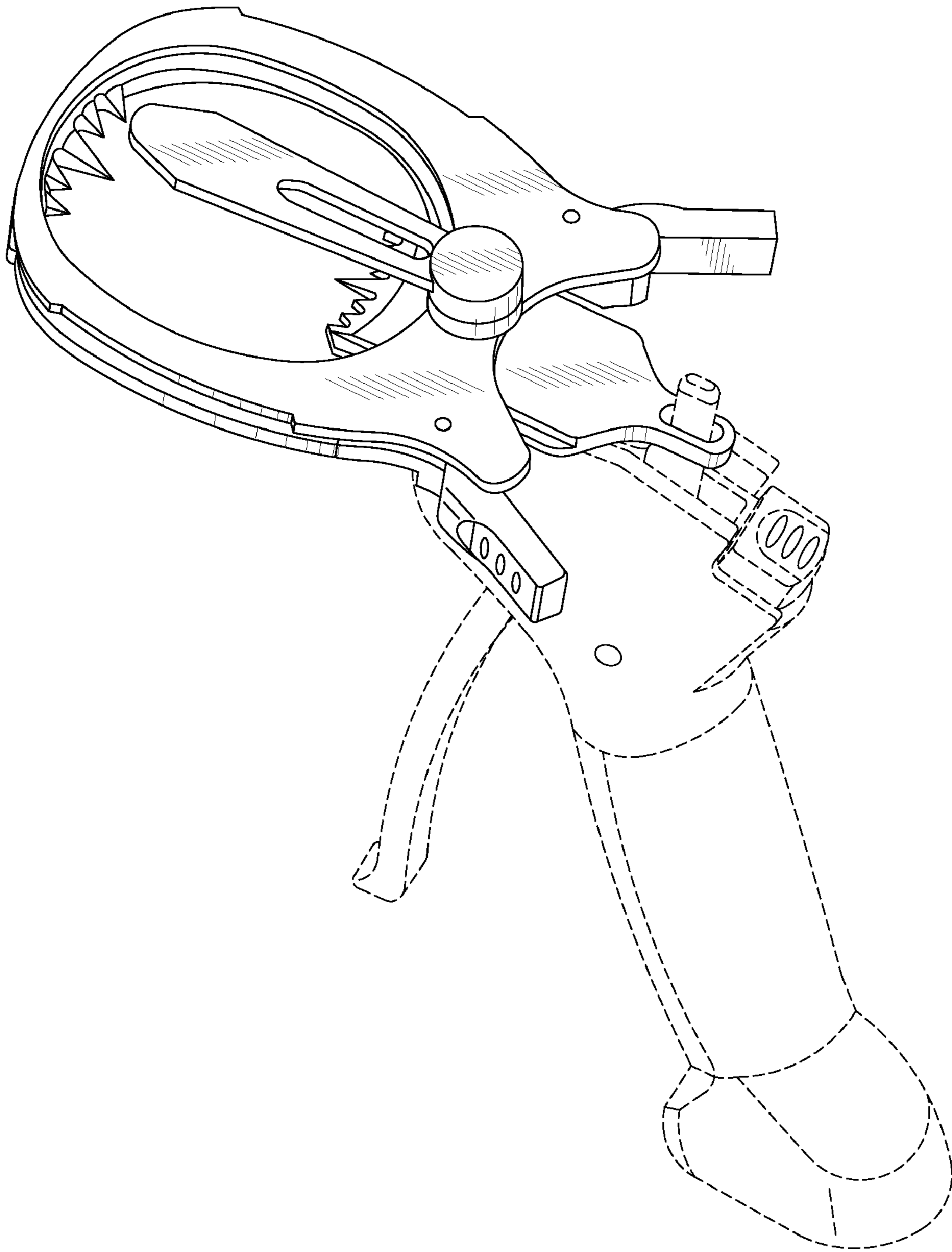


Fig. 1

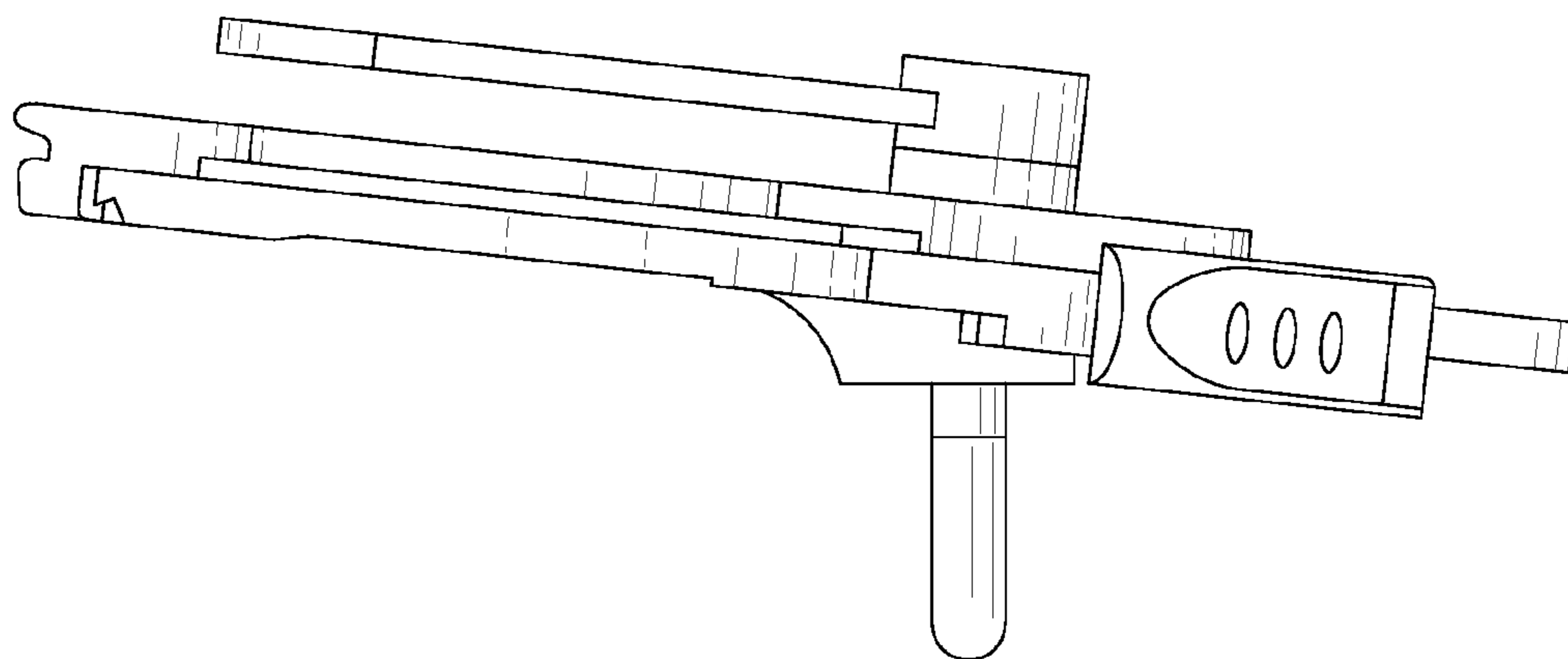


Fig. 2

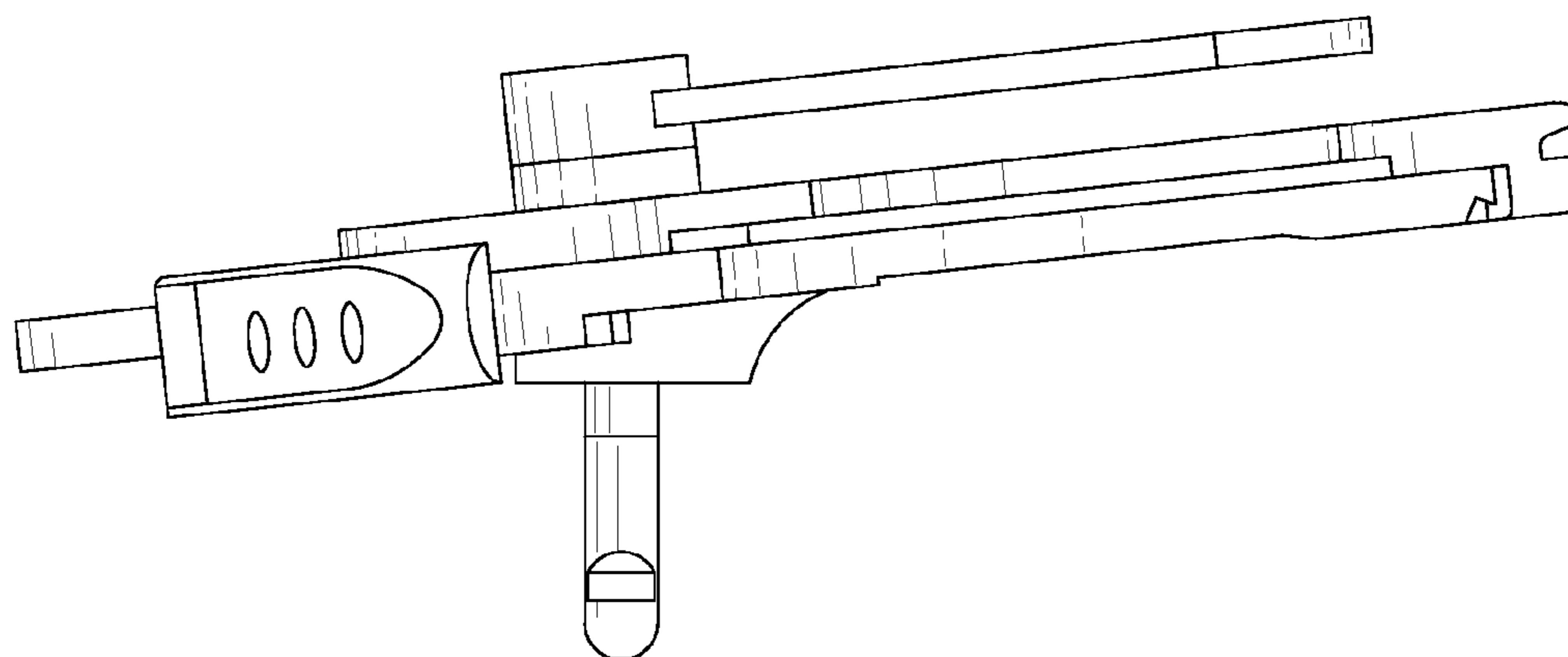


Fig. 3

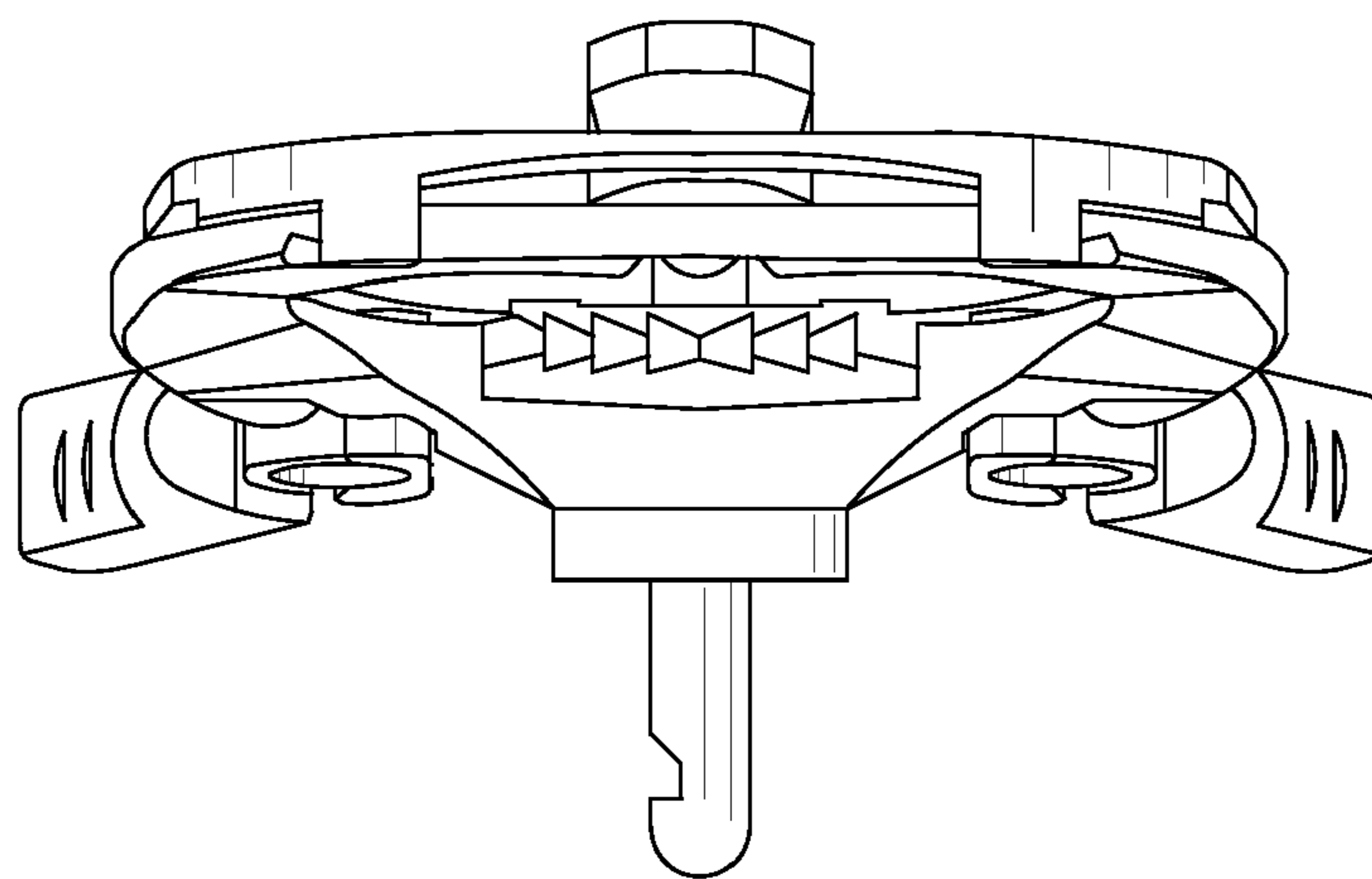


Fig. 4

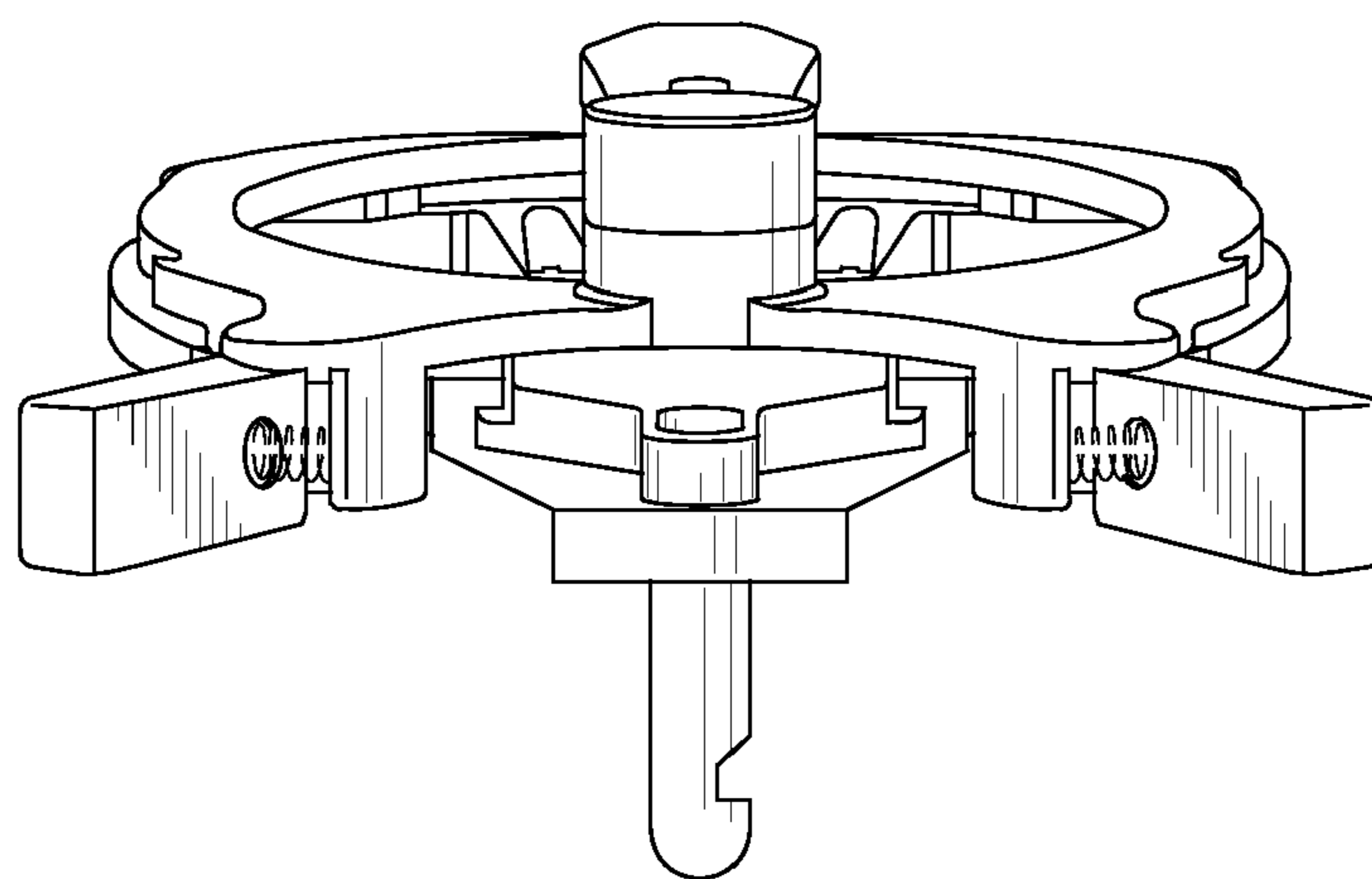


Fig. 5

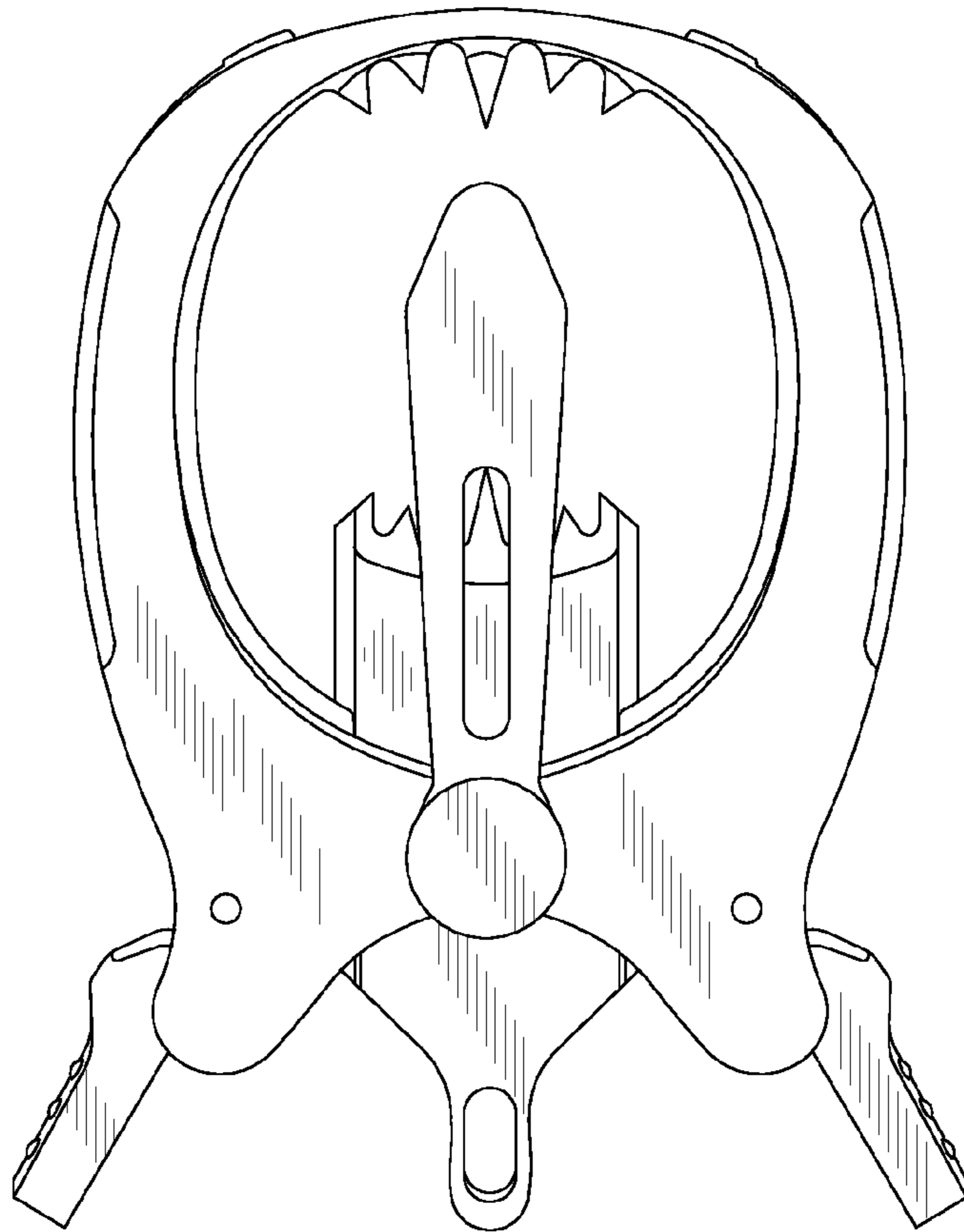


Fig. 6

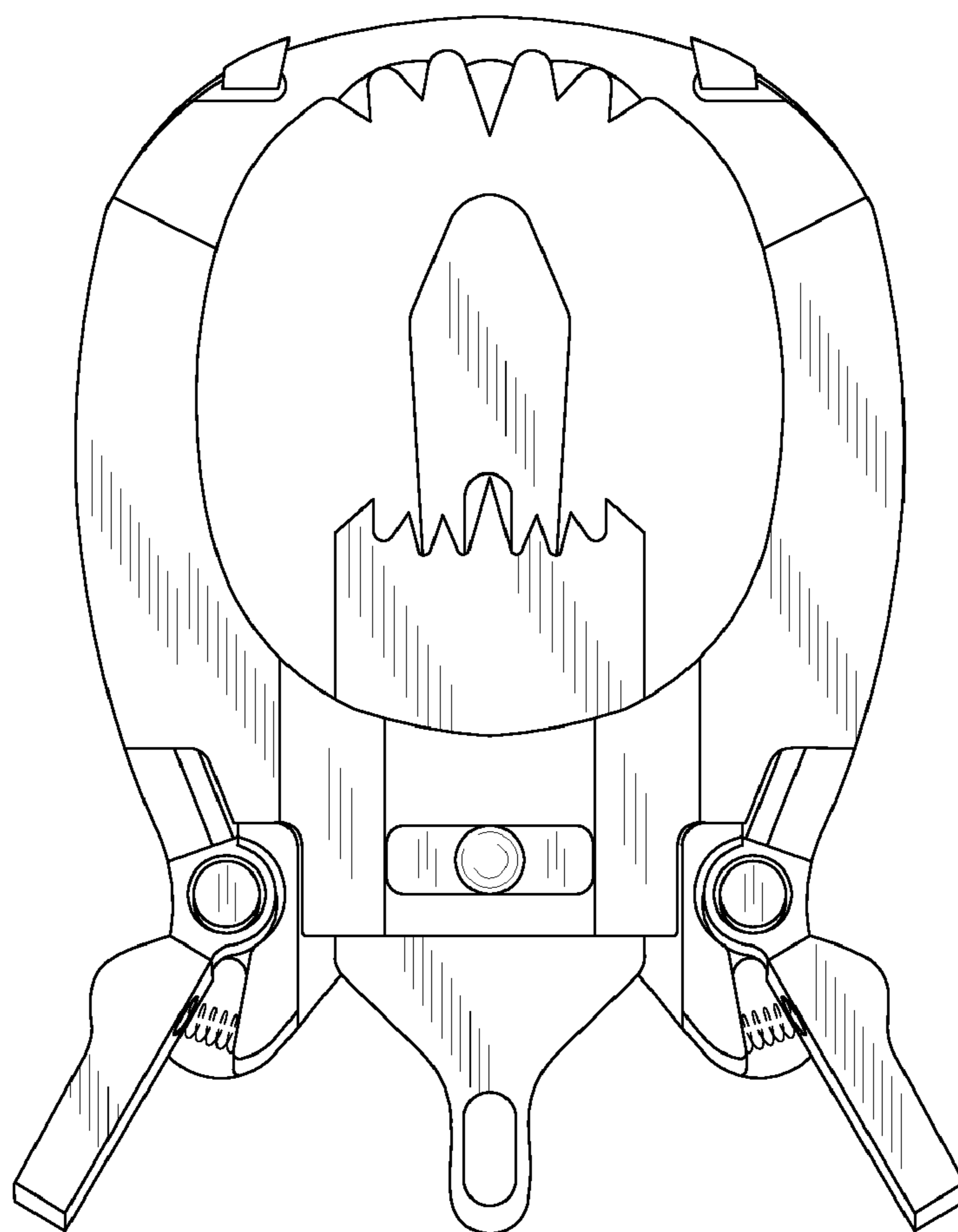


Fig. 7