



US00D666720S

(12) **United States Design Patent**
Kecman et al.

(10) **Patent No.:** **US D666,720 S**
(45) **Date of Patent:** **** Sep. 4, 2012**

(54) **PATELLA RESECTION GUIDE**

(75) Inventors: **Maja Kecman**, Kensington Gore (GB);
Richard A Hartshorn, London (GB);
Edward H Goodwin, London (GB);
Abraham P Wright, Winona Lake, IN
(US); **Kyle B Thomas**, Denver, CO
(US); **Duncan G Young**, Hebden Bridge
West (GB)

(73) Assignee: **DePuy Products, Inc.**, Warsaw, IN (US)

(**) Term: **14 Years**

(21) Appl. No.: **29/396,479**

(22) Filed: **Jun. 30, 2011**

(51) **LOC (9) Cl.** **24-02**

(52) **U.S. Cl.** **D24/140**

(58) **Field of Classification Search** D24/133,
D24/140, 143, 155; 606/88, 86 R

See application file for complete search history.

(56) **References Cited**

U.S. PATENT DOCUMENTS

3,835,849 A	9/1974	McGuire	
D260,927 S	9/1981	Glenn	
D281,622 S	12/1985	Diamond	
4,565,192 A	1/1986	Shapiro	
4,633,862 A	1/1987	Petersen	
5,002,547 A *	3/1991	Poggie et al.	606/88
5,108,401 A	4/1992	Insall et al.	
5,147,365 A	9/1992	Whitlock et al.	
5,250,050 A	10/1993	Poggie et al.	
5,284,482 A	2/1994	Mikhail	
5,415,663 A *	5/1995	Luckman et al.	606/86 R
D367,531 S	2/1996	Price	
5,520,692 A	5/1996	Ferrante	
5,542,947 A	8/1996	Treacy	
D373,635 S	9/1996	Price	
5,611,802 A *	3/1997	Samuelson et al.	606/86 R
5,667,512 A	9/1997	Johnson	
5,941,884 A	8/1999	Corvelli et al.	

5,968,051 A	10/1999	Luckman et al.	
6,010,509 A	1/2000	Delgado et al.	
6,056,754 A *	5/2000	Haines et al.	606/80
D463,550 S	9/2002	Sherman	
6,866,667 B2	3/2005	Wood et al.	
D549,331 S *	8/2007	Tomatsu et al.	D24/135
7,344,540 B2	3/2008	Smucker et al.	

(Continued)

OTHER PUBLICATIONS

European Search Report, European Patent Application No. 11175824.9-2310, Dec. 16, 2011, 8 pages.

(Continued)

Primary Examiner — Bridget L Eland

(74) *Attorney, Agent, or Firm* — Barnes & Thornburg LLP

(57) **CLAIM**

We claim the ornamental design for a patella resection guide, as shown and described.

DESCRIPTION

FIG. 1 is a rear perspective view of a design of the patella resection guide;

FIG. 2 is a front elevation view of the patella resection guide of FIG. 1;

FIG. 3 is a rear elevation view of the patella resection guide of FIG. 1;

FIG. 4 is a top plan view of the patella resection guide of FIG. 1;

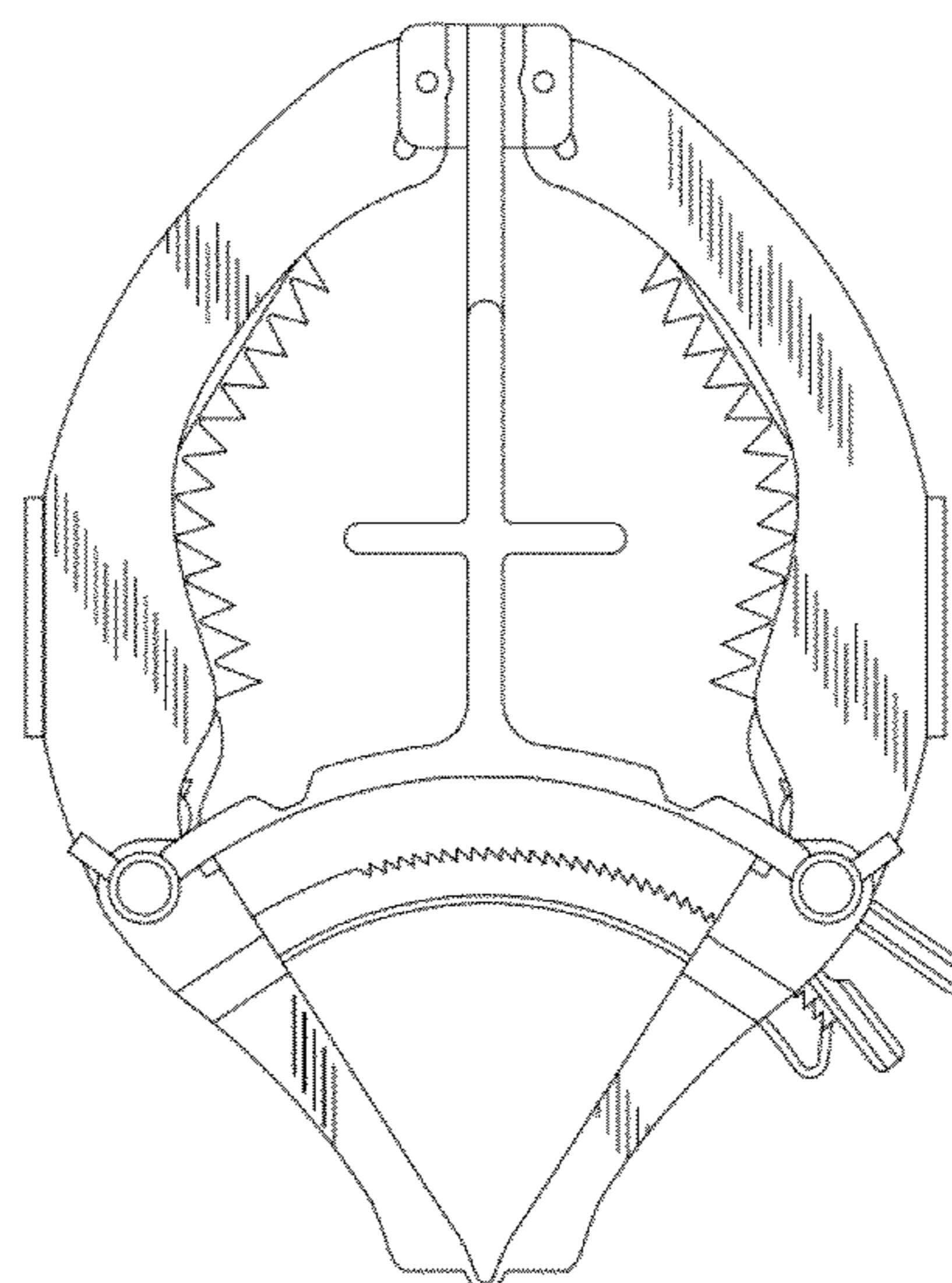
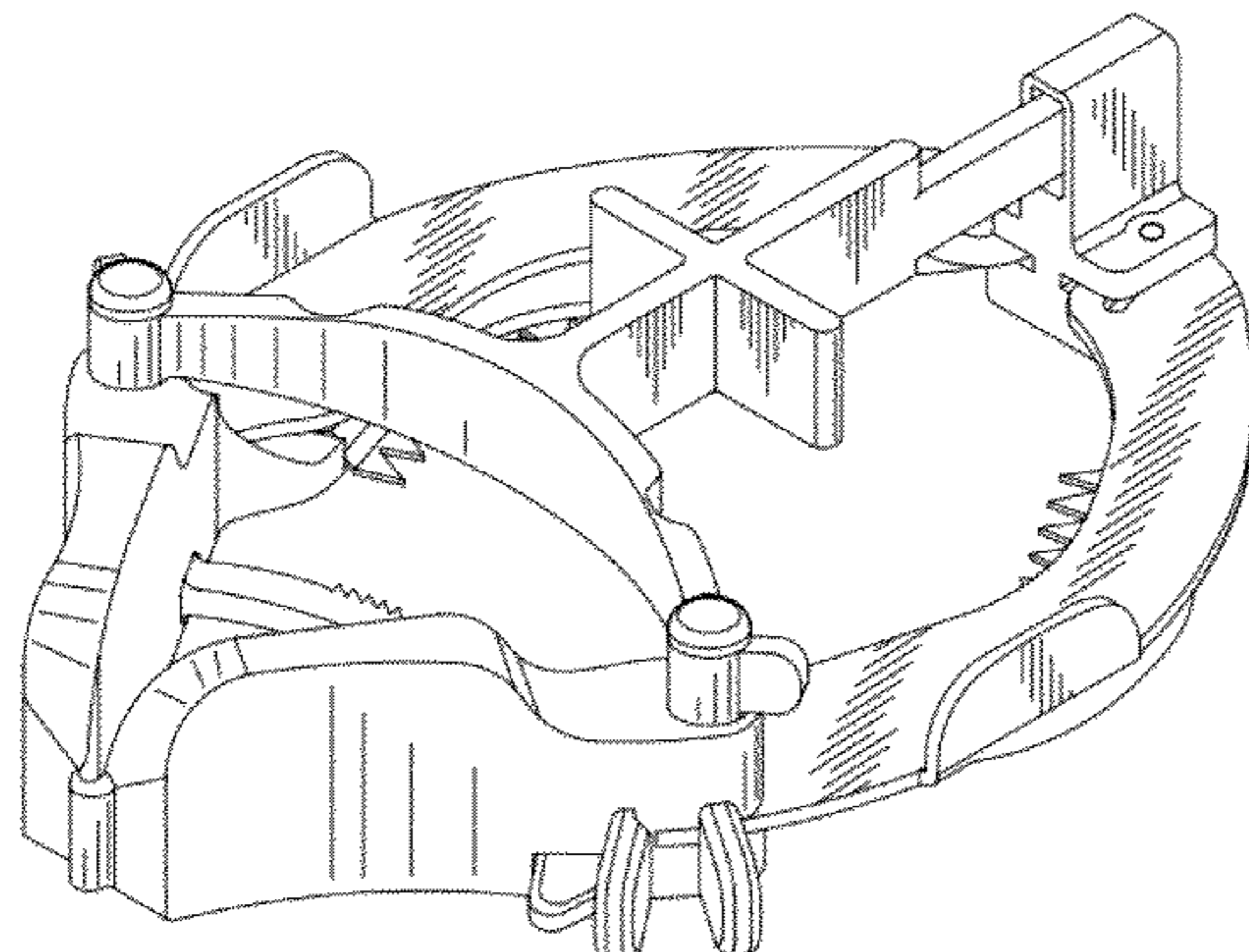
FIG. 5 is a bottom plan view of the patella resection guide of FIG. 1;

FIG. 6 is a first side elevation view of the patella resection guide of FIG. 1; and,

FIG. 7 is a second side elevation view of the patella resection guide of FIG. 1.

The features shown in broken lines depict environmental subject matter only and form no part of the claimed design.

1 Claim, 7 Drawing Sheets



US D666,720 S

Page 2

U.S. PATENT DOCUMENTS

7,566,335 B1 * 7/2009 Scott et al. 606/88
7,632,279 B2 12/2009 Bastian
7,780,594 B2 * 8/2010 Hutton 600/219
7,806,899 B2 10/2010 Hogg et al.
7,878,989 B2 2/2011 McMinn
7,891,071 B2 * 2/2011 Collazo 29/453
D634,011 S * 3/2011 Phillips et al. D24/143
D646,389 S * 10/2011 Claypool et al. D24/140
2005/0240196 A1 10/2005 Davis et al.
2006/0142777 A1 6/2006 Bastian
2007/0118141 A1 * 5/2007 Marchyn et al. 606/88
2007/0233142 A1 * 10/2007 Oliver 606/88
2008/0097450 A1 4/2008 Brown et al.
2008/0114366 A1 5/2008 Smucker et al.
2008/0228190 A1 9/2008 Sherry et al.

2009/0264737 A1 10/2009 Haechler et al.
2010/0152742 A1 6/2010 Nevelös et al.
2012/0078261 A1 * 3/2012 Kecman et al. 606/88

OTHER PUBLICATIONS

P.F.C. Sigma Rotating Platform Knee System with M.B.T Tray, Primary Procedure with a Curved or Posterior Stabilised Implant, 2003, 43 pages.

LCS High Performance Instruments, Surgical Technique, 2008, 44 pages.

Sigma High Performance Instruments, Design Rationale, 2007, 12 pages.

Sigma High Performance Instruments, Classic Surgical Technique, 2010, 52 pages.

* cited by examiner

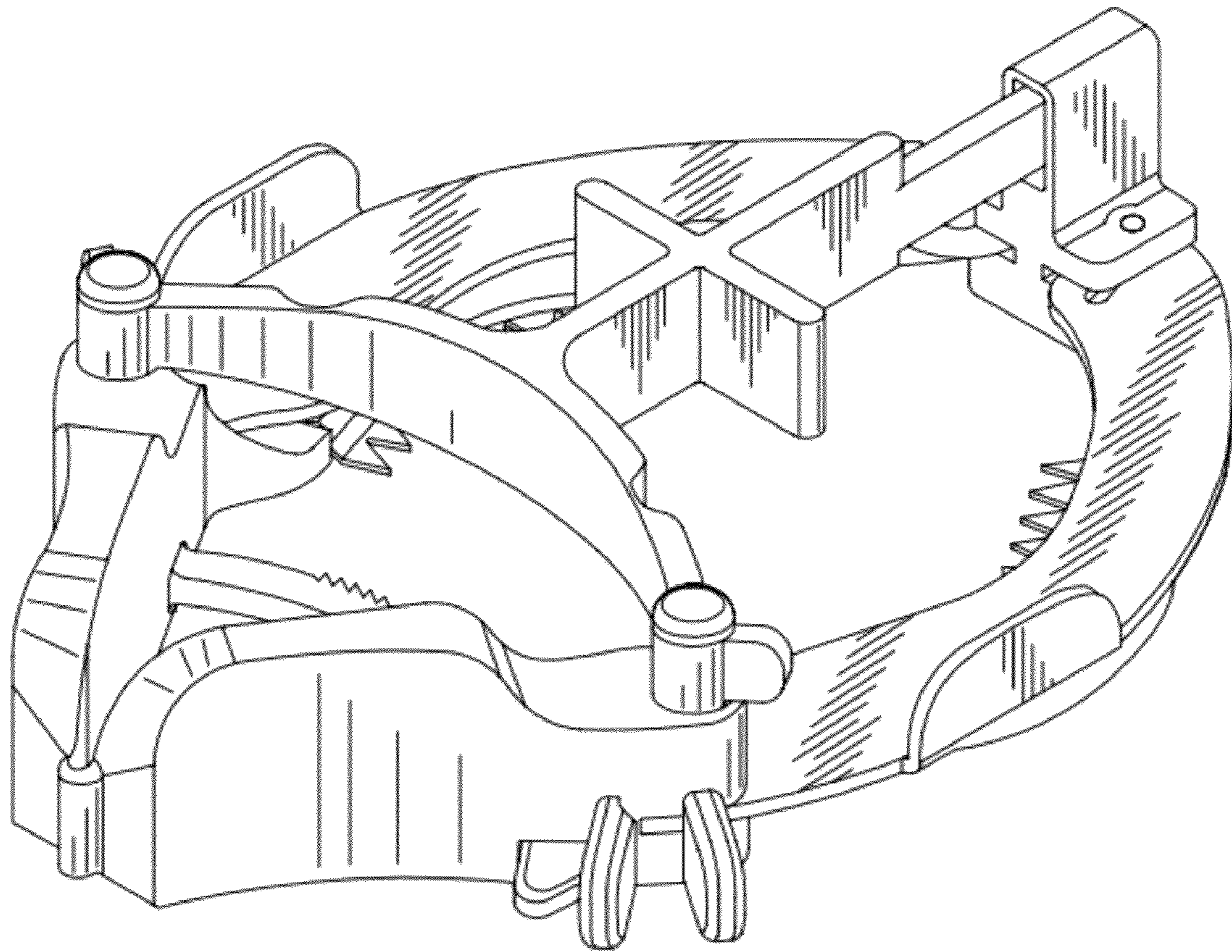


Fig. 1

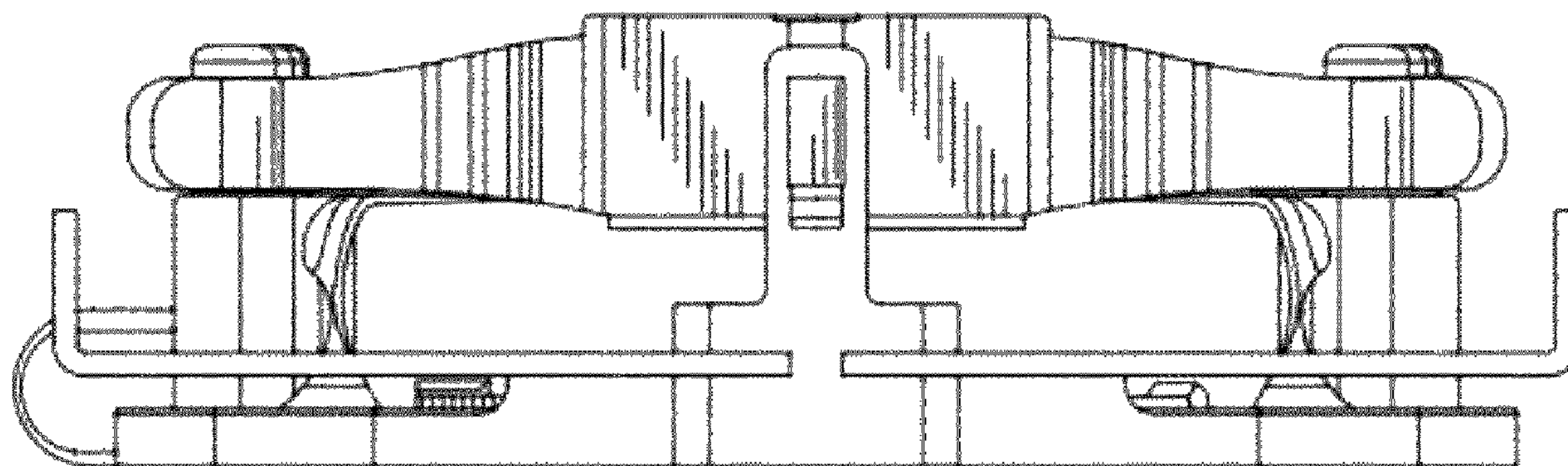


Fig. 2

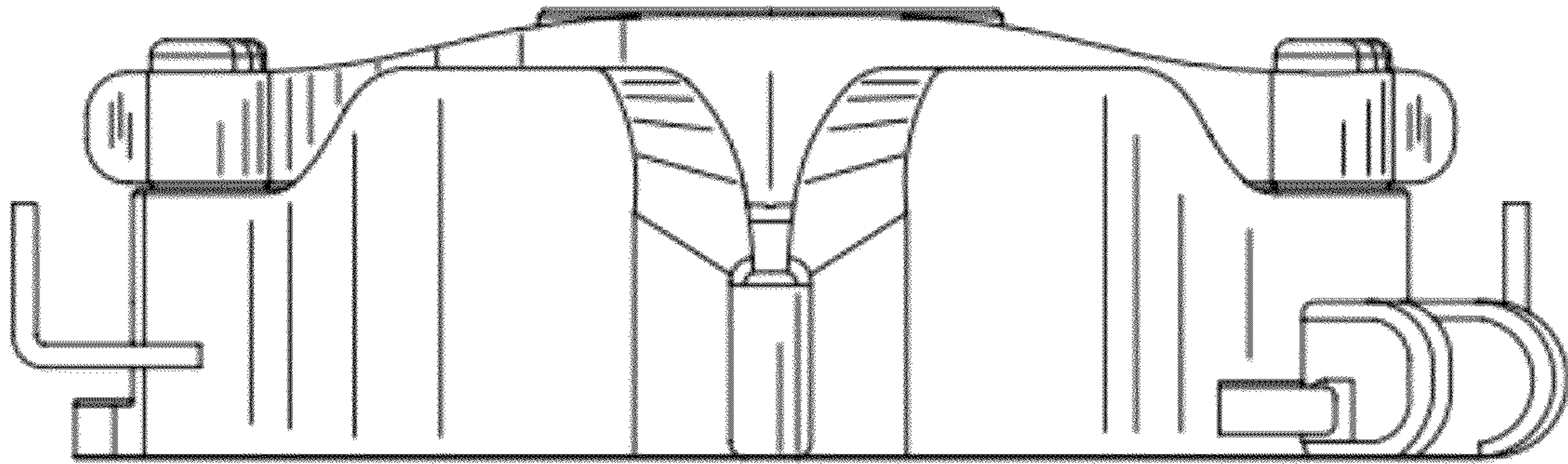


Fig. 3

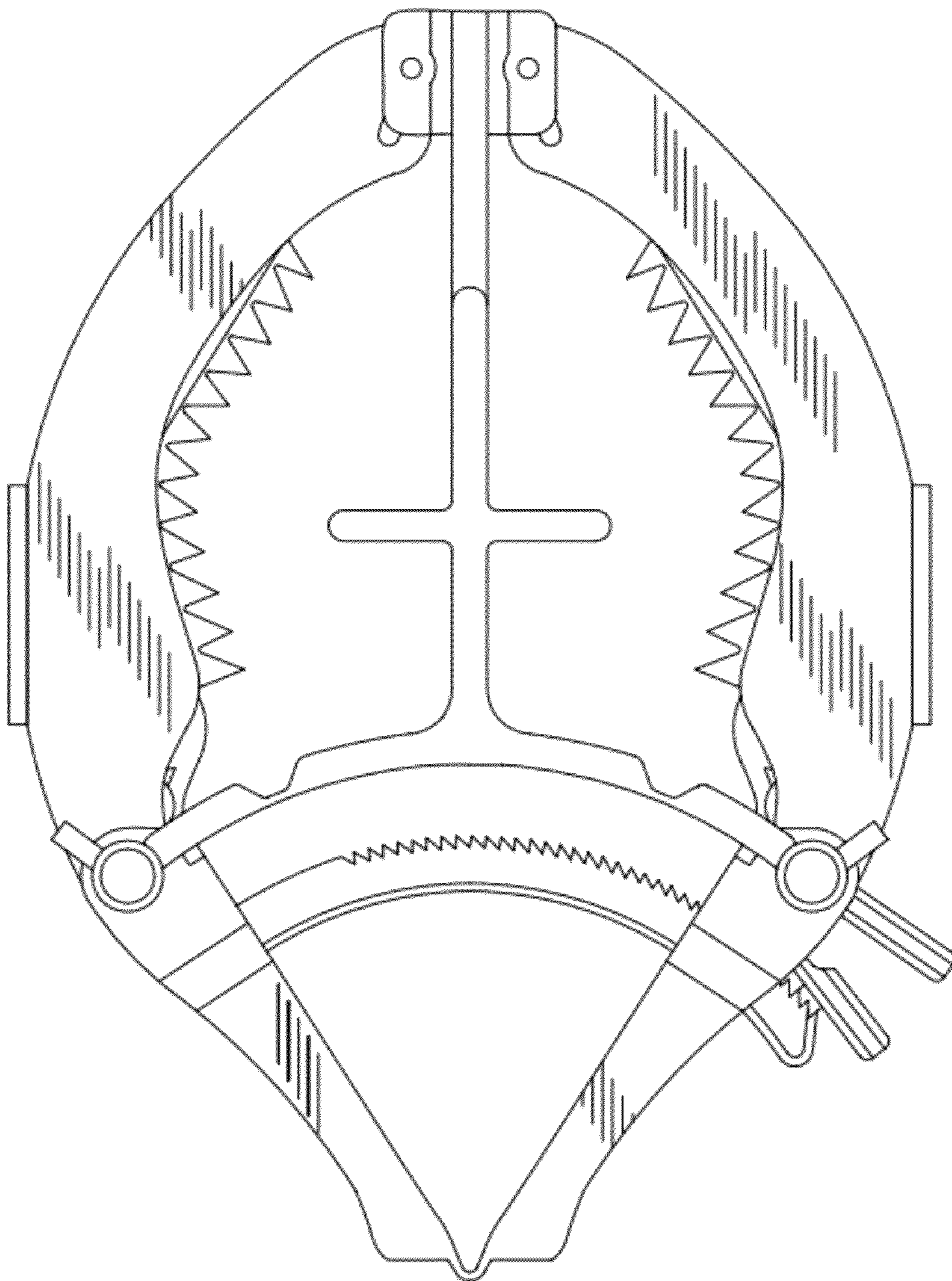


Fig. 4

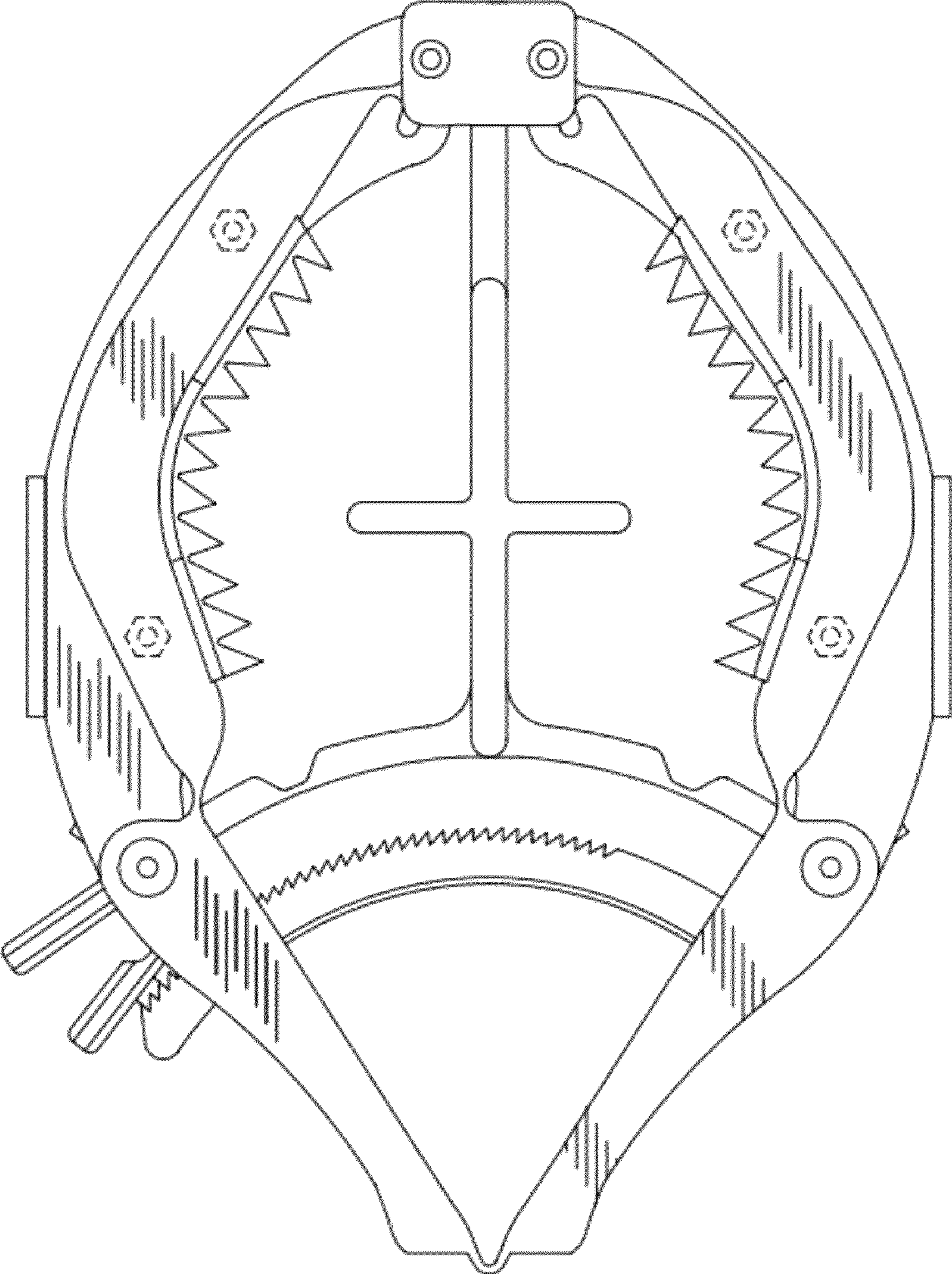


Fig. 5

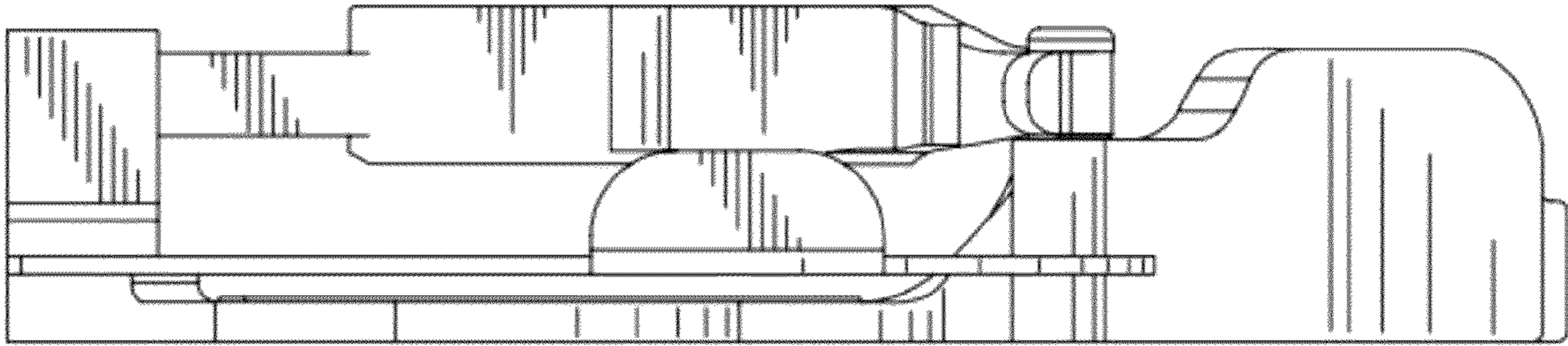


Fig. 6

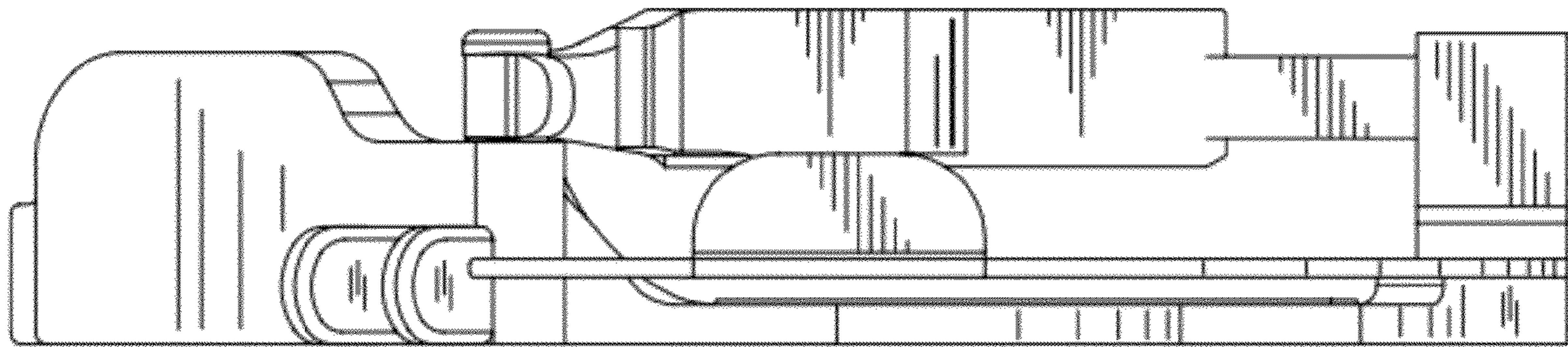


Fig. 7