

US00D666719S

(12) **United States Design Patent**
Becker

(10) **Patent No.:** **US D666,719 S**

(45) **Date of Patent:** **** Sep. 4, 2012**

(54) **MEDICAL DEVICE**

(75) **Inventor:** **Wolfram Becker**, Laer (DE)

(73) **Assignee:** **Karl Storz GmbH & Co. KG**,
Tuttlingen (DE)

(**) **Term:** **14 Years**

(21) **Appl. No.:** **29/402,955**

(22) **Filed:** **Sep. 29, 2011**

(30) **Foreign Application Priority Data**

Mar. 31, 2011 (EM) 001844184-0017

(51) **LOC (9) Cl.** **24-02**

(52) **U.S. Cl.** **D24/138**

(58) **Field of Classification Search** D24/138,
D24/137, 133; 600/101-183
See application file for complete search history.

(56) **References Cited**

U.S. PATENT DOCUMENTS

5,048,508	A *	9/1991	Storz	600/164
D459,475	S *	6/2002	Topala	D24/138
6,471,639	B2 *	10/2002	Rudischhauser et al.	600/128
D533,941	S *	12/2006	Furst et al.	D24/138
D534,276	S *	12/2006	Michel	D24/138
D548,340	S *	8/2007	Michel et al.	D24/138
D583,470	S *	12/2008	Kupferschmid	D24/138
D583,471	S *	12/2008	Kupferschmid	D24/138

D612,047	S *	3/2010	Nagele et al.	D24/138
D629,899	S *	12/2010	Meinero	D24/138
2003/0107726	A1 *	6/2003	Hirt et al.	356/73.1
2011/0118544	A1 *	5/2011	Adams et al.	600/104

* cited by examiner

Primary Examiner — Bridget L Eland

(74) *Attorney, Agent, or Firm* — Muncy, Geissler, Olds & Lowe, PLLC

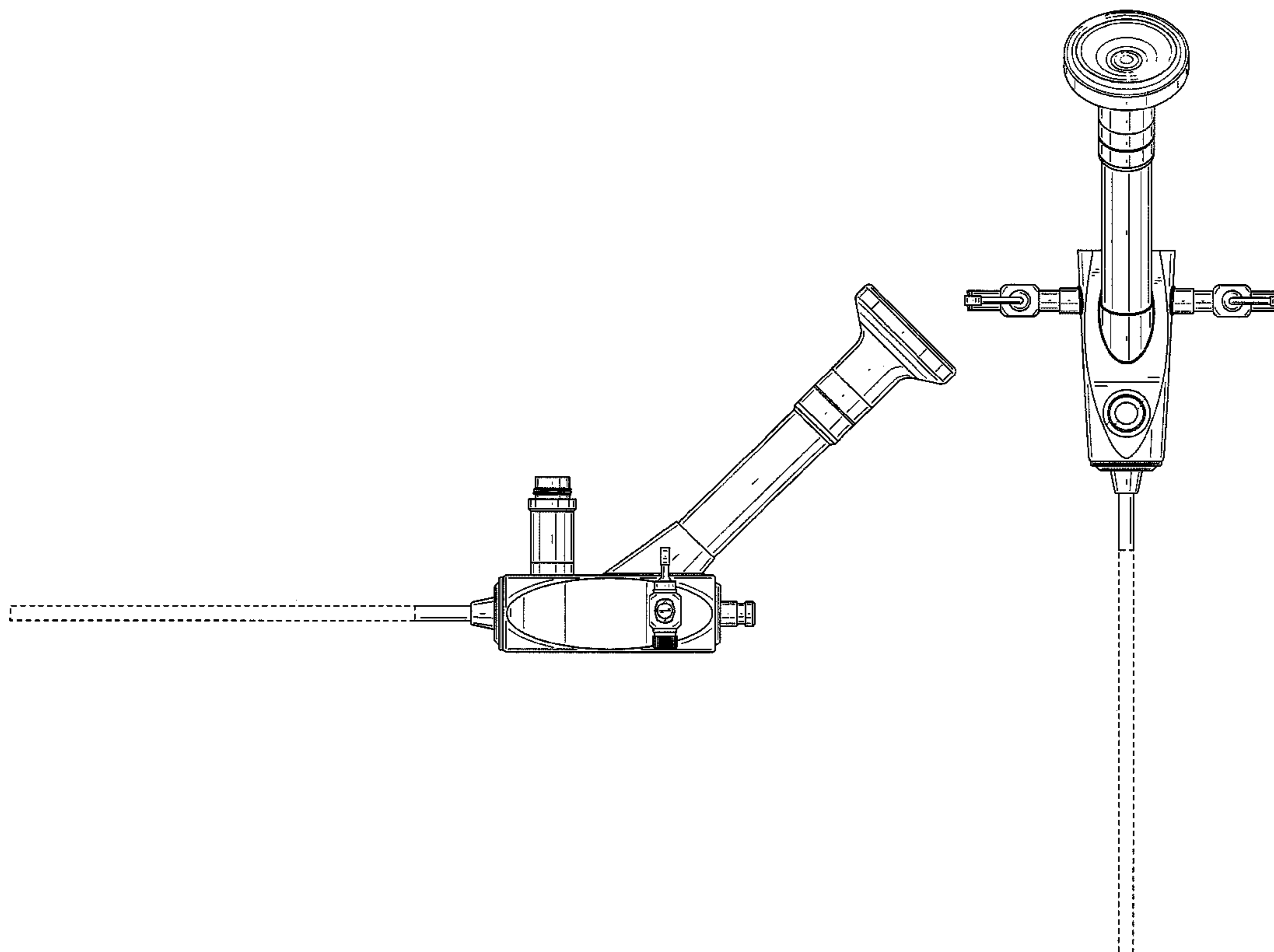
(57) **CLAIM**

The ornamental design for a medical device, as shown and described.

DESCRIPTION

FIG. 1 is a left side elevational view of a medical device according to the present invention;
 FIG. 2 is a right side elevational view of the medical device of FIG. 1;
 FIG. 3 is a front elevational view of the medical device of FIG. 1;
 FIG. 4 is a rear elevational view of the medical device of FIG. 1;
 FIG. 5 is a top plan view of the medical device of FIG. 1;
 FIG. 6 is a bottom plan view of the medical device of FIG. 1;
 and,
 FIG. 7 is a three quarter view of the medical device of FIG. 1.
 The dashed lines illustrate environment that does not form a part of the present invention, and no claim is made to the material illustrated with dashed lines.

1 Claim, 7 Drawing Sheets



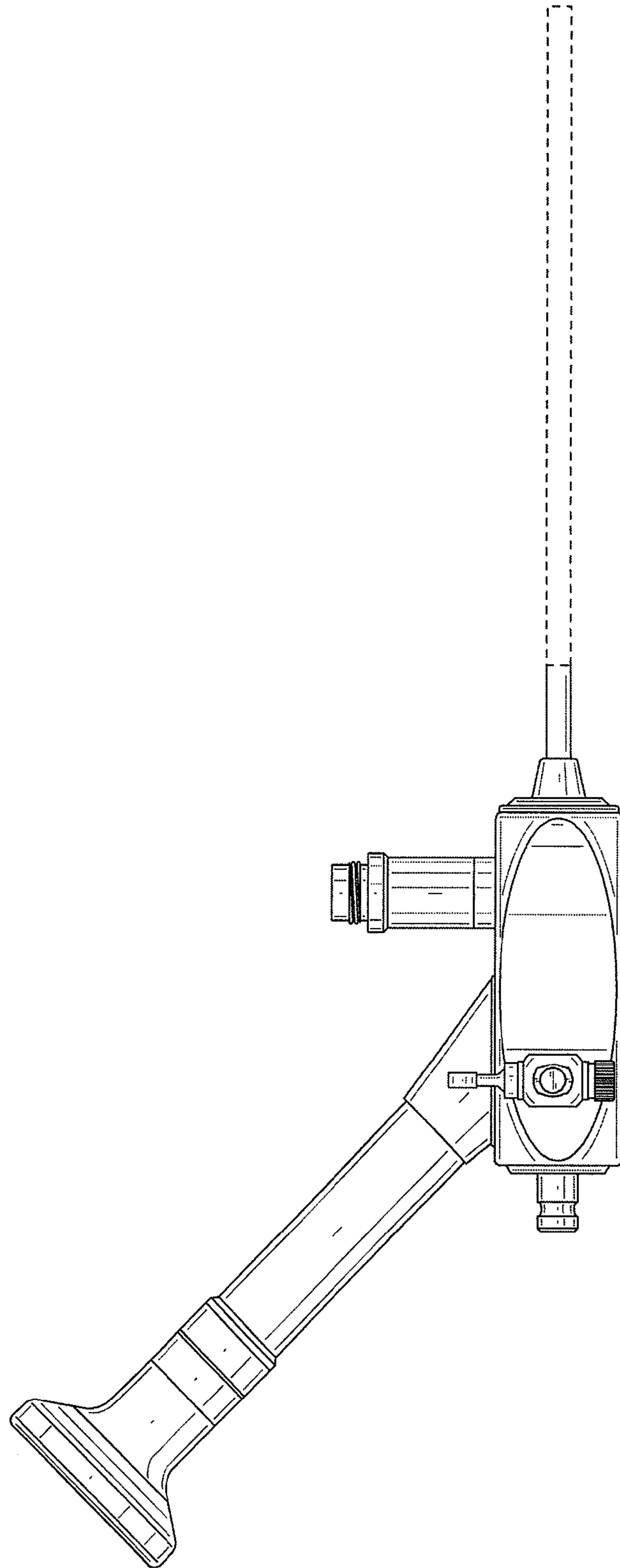


FIG. 1

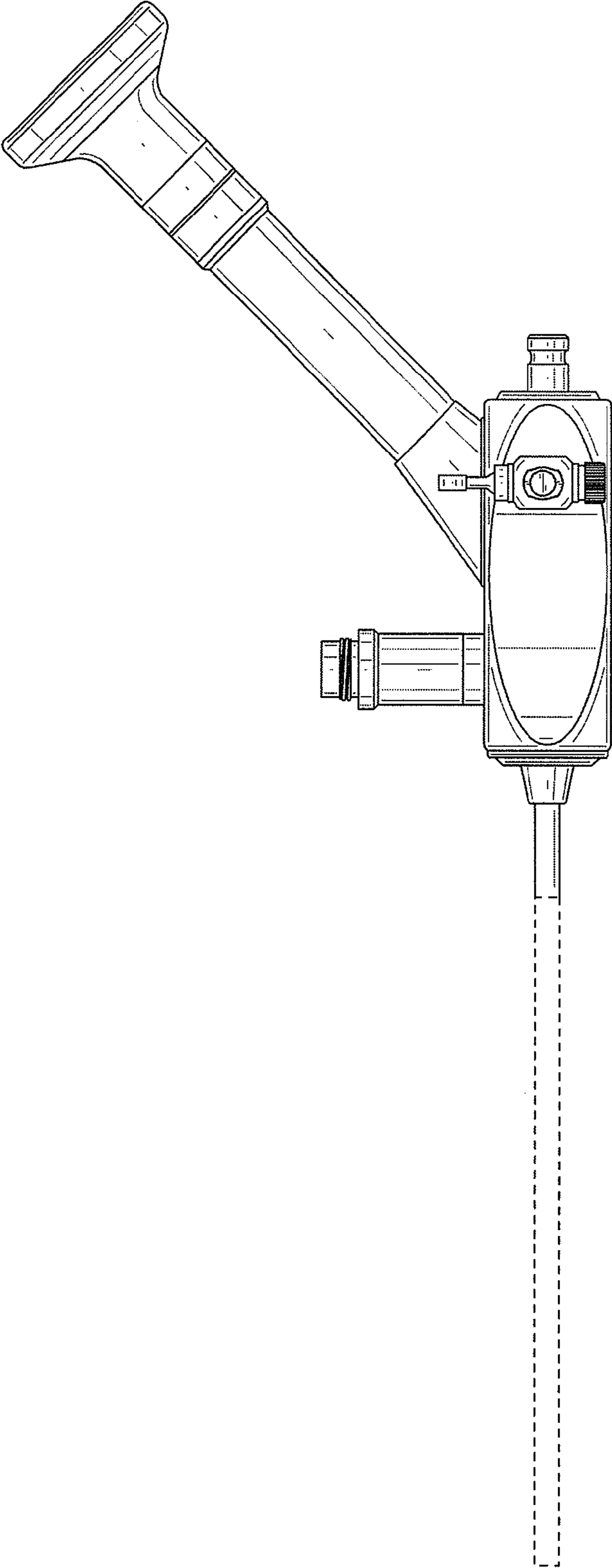


FIG. 2

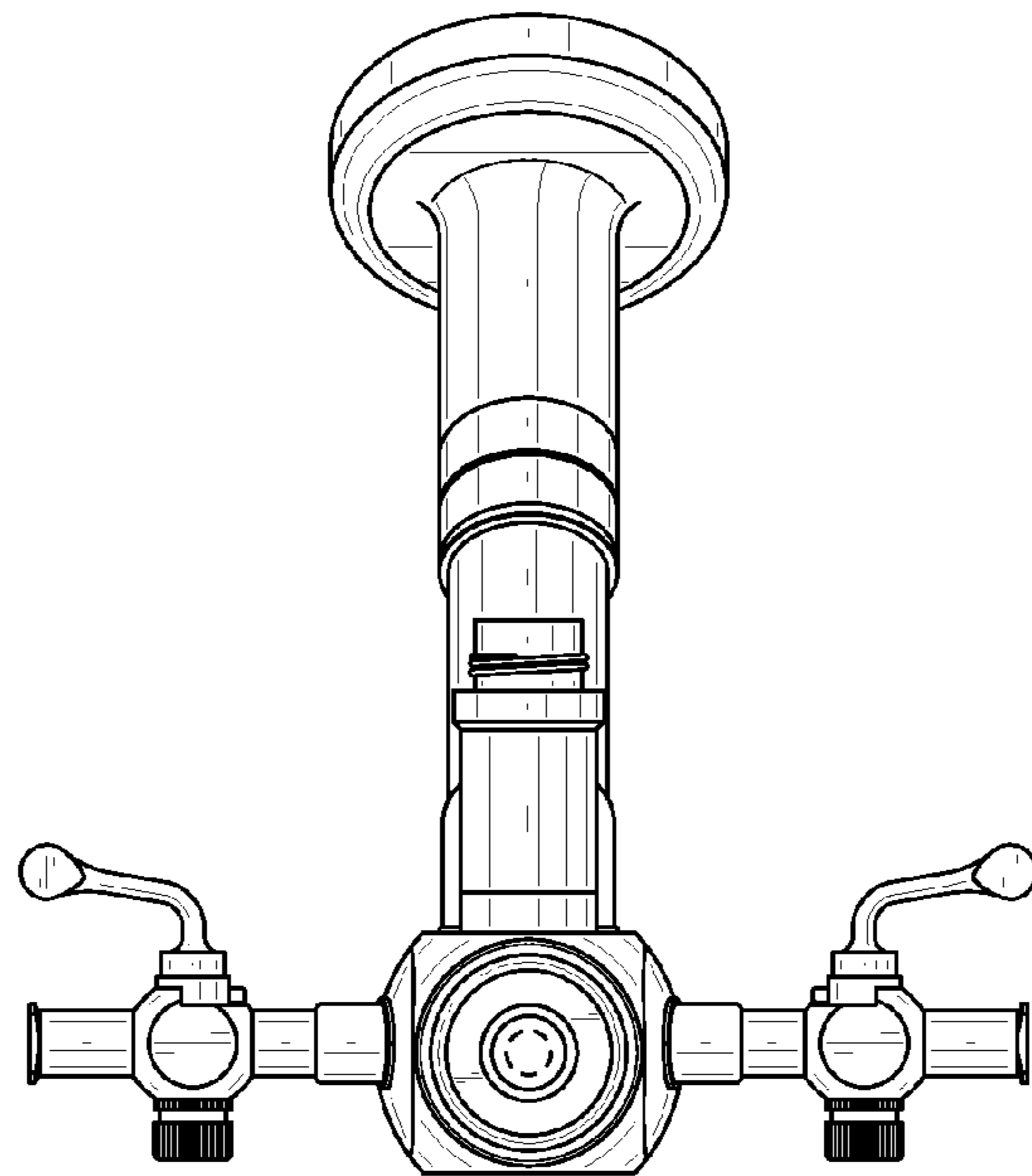


FIG. 3

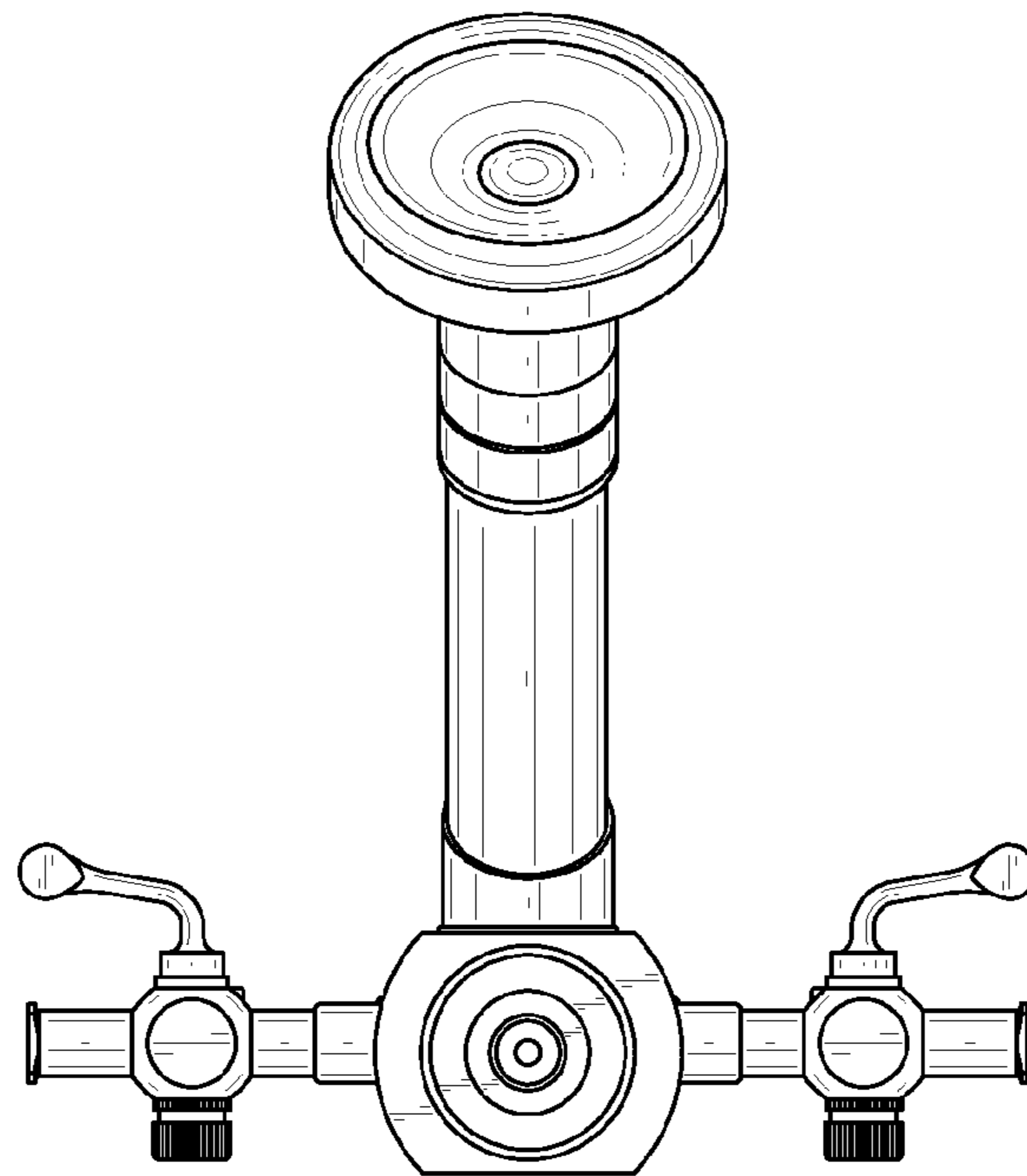


FIG. 4

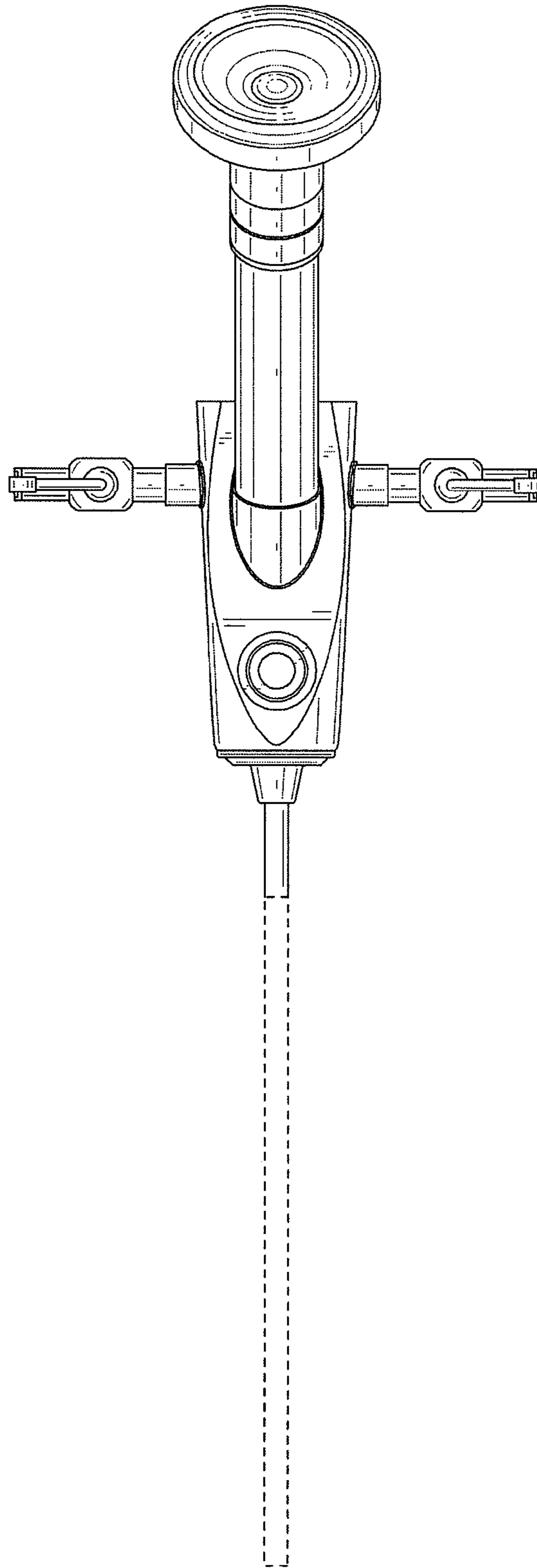


FIG. 5

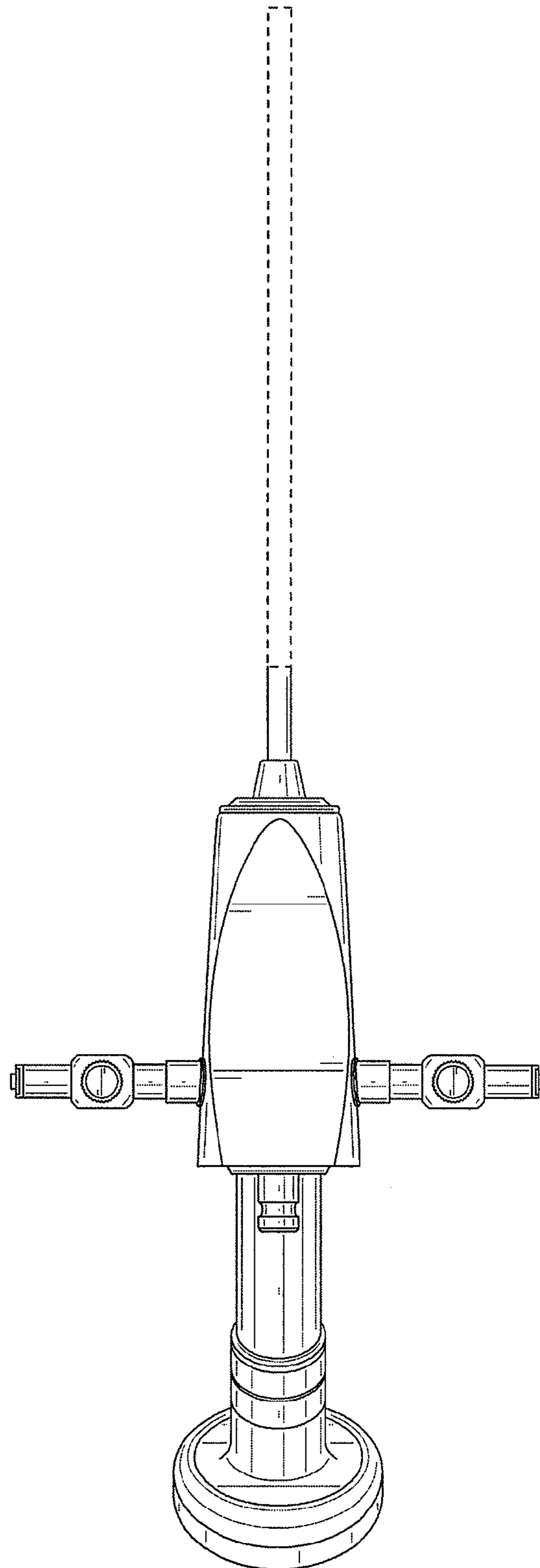


FIG. 6

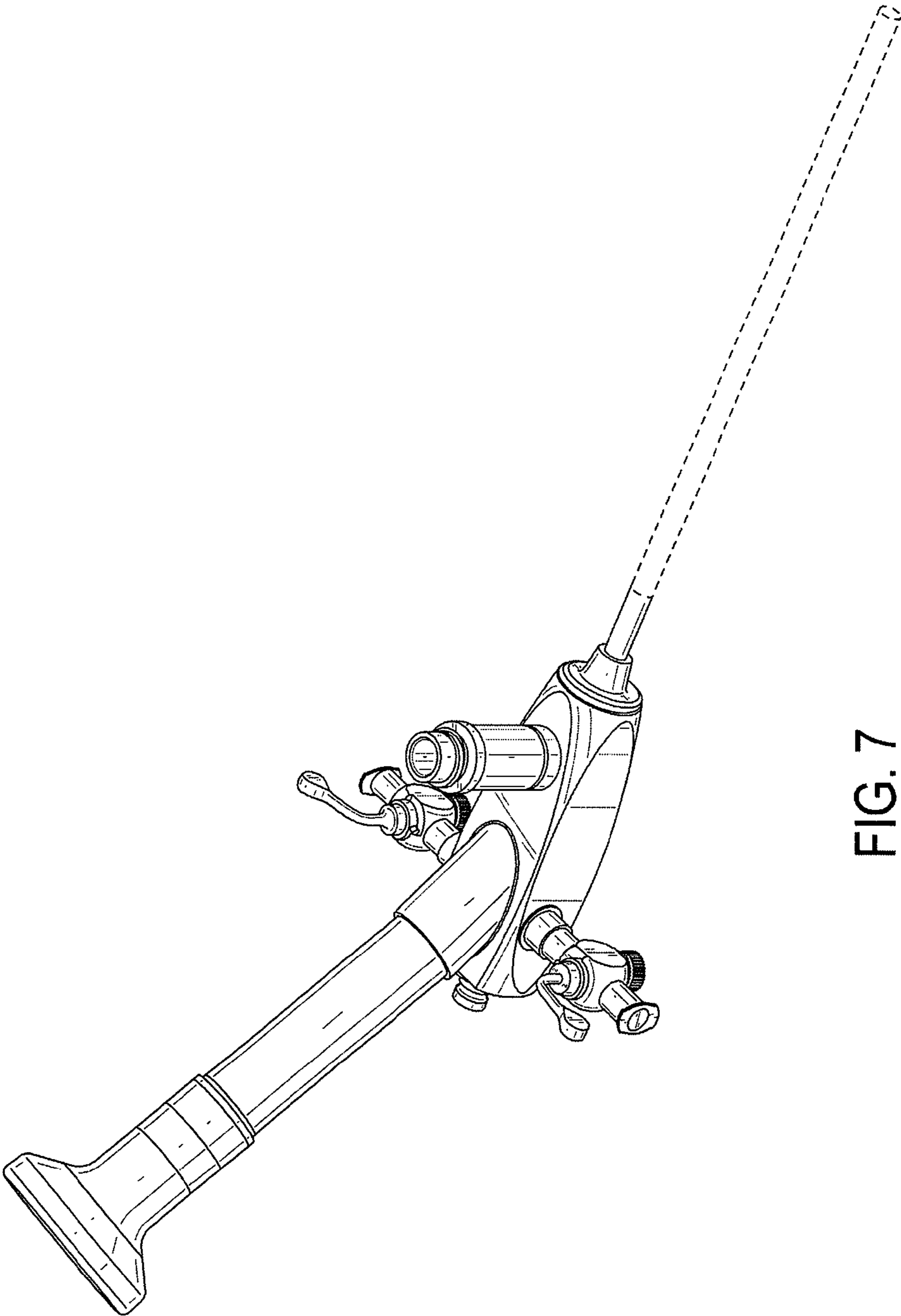


FIG. 7