



US00D666718S

(12) **United States Design Patent**
Hermle

(10) **Patent No.:** **US D666,718 S**

(45) **Date of Patent:** **** Sep. 4, 2012**

(54) **RECTOSCOPE**

(75) Inventor: **Rainer Hermle**, Gosheim (DE)

(73) Assignee: **Karl Storz GmbH & Co. KG** (DE)

(**) Term: **14 Years**

(21) Appl. No.: **29/396,175**

(22) Filed: **Jun. 27, 2011**

(30) **Foreign Application Priority Data**

Dec. 27, 2010 (EM) 001798695-0007

(51) **LOC (9) Cl.** **24-02**

(52) **U.S. Cl.** **D24/138**

(58) **Field of Classification Search** D24/133,
D24/137, 138, 140; 600/104, 114, 132; 606/197
See application file for complete search history.

(56) **References Cited**

U.S. PATENT DOCUMENTS

4,538,594	A *	9/1985	Boebel et al.	600/102
D360,261	S *	7/1995	Swanson et al.	D24/135
6,245,011	B1 *	6/2001	Dudda et al.	600/104
6,458,077	B1 *	10/2002	Boebel et al.	600/154
D564,657	S *	3/2008	Tsai	D24/135
D598,544	S *	8/2009	Gaab et al.	D24/135
D605,765	S *	12/2009	Gaab	D24/146
D612,046	S *	3/2010	Tsai	D24/135
D631,963	S *	2/2011	Efinger et al.	D24/137
7,967,746	B2 *	6/2011	Leroy et al.	600/182

2009/0112161	A1 *	4/2009	Maerten et al.	604/131
2009/0192352	A1 *	7/2009	P. Regadas	600/114
2010/0280368	A1 *	11/2010	Can et al.	600/431

OTHER PUBLICATIONS

Storz Catalog—Karl Storz Endoscopy America; Proctology 7th Edition Jan. 2010 US; pp. 83-86.*
Richard Wolf Catalog, TEM Instrument System, pp. 13, 17-18.
Karl Storz Catalog, TEO(TM) Video—Operations—Rektoskop, Oct. 2009, pp. 83-84.

* cited by examiner

Primary Examiner — Bridget L Eland

(74) *Attorney, Agent, or Firm* — St. Onge Steward Johnston & Reens LLC

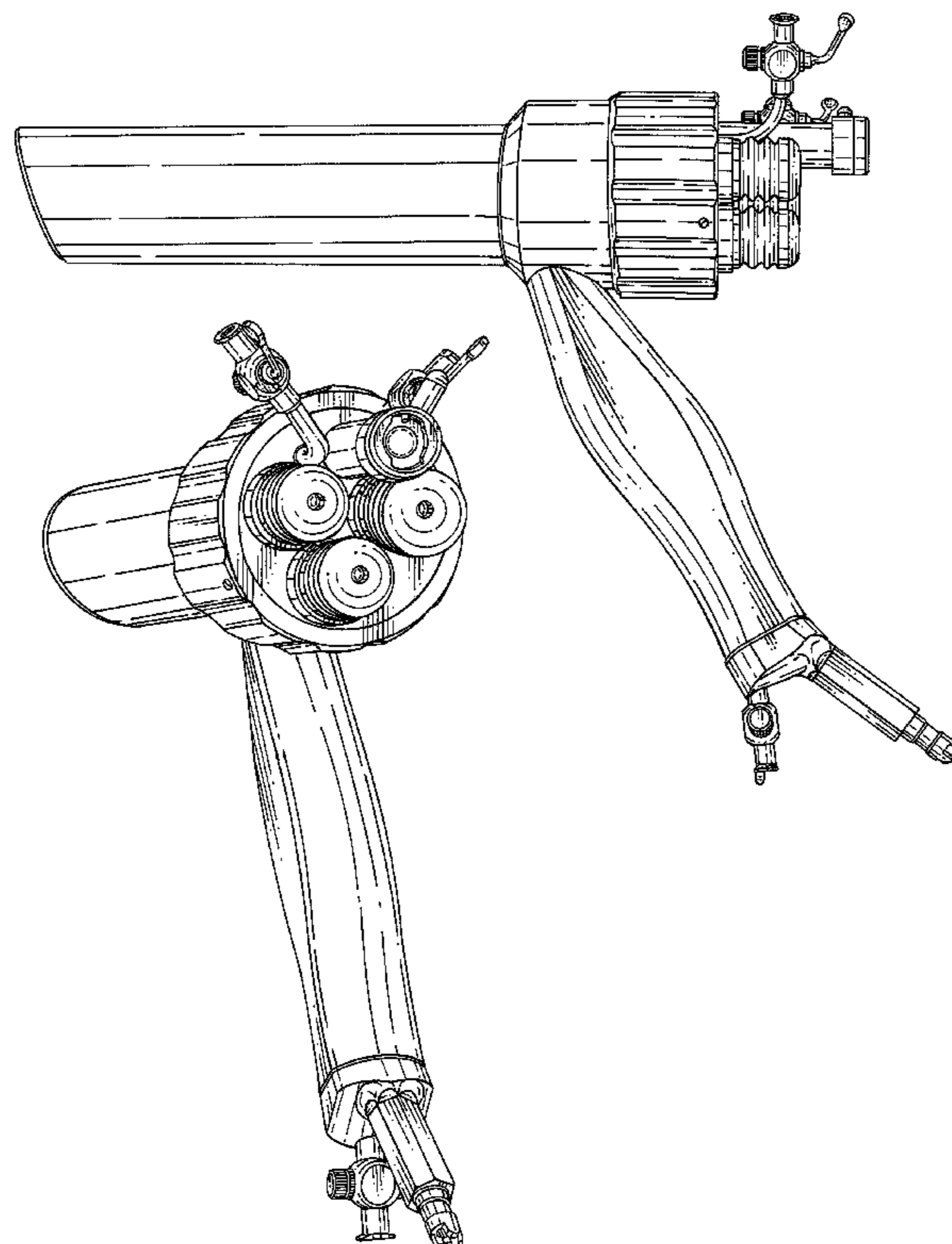
(57) **CLAIM**

The ornamental design for a rectoscope, as shown and described.

DESCRIPTION

FIG. 1 is a rear left side perspective view of a rectoscope in accordance with the new design;
FIG. 2 is a left side isometric view thereof;
FIG. 3 is a right side isometric view thereof;
FIG. 4 is a top isometric view thereof;
FIG. 5 is a bottom isometric view thereof;
FIG. 6 is a front isometric view thereof; and,
FIG. 7 is a rear isometric view thereof.
The broken lines shown in FIGS. 1 and 3-7 represent the bounds of the claimed design and form no part of the claimed design.

1 Claim, 7 Drawing Sheets



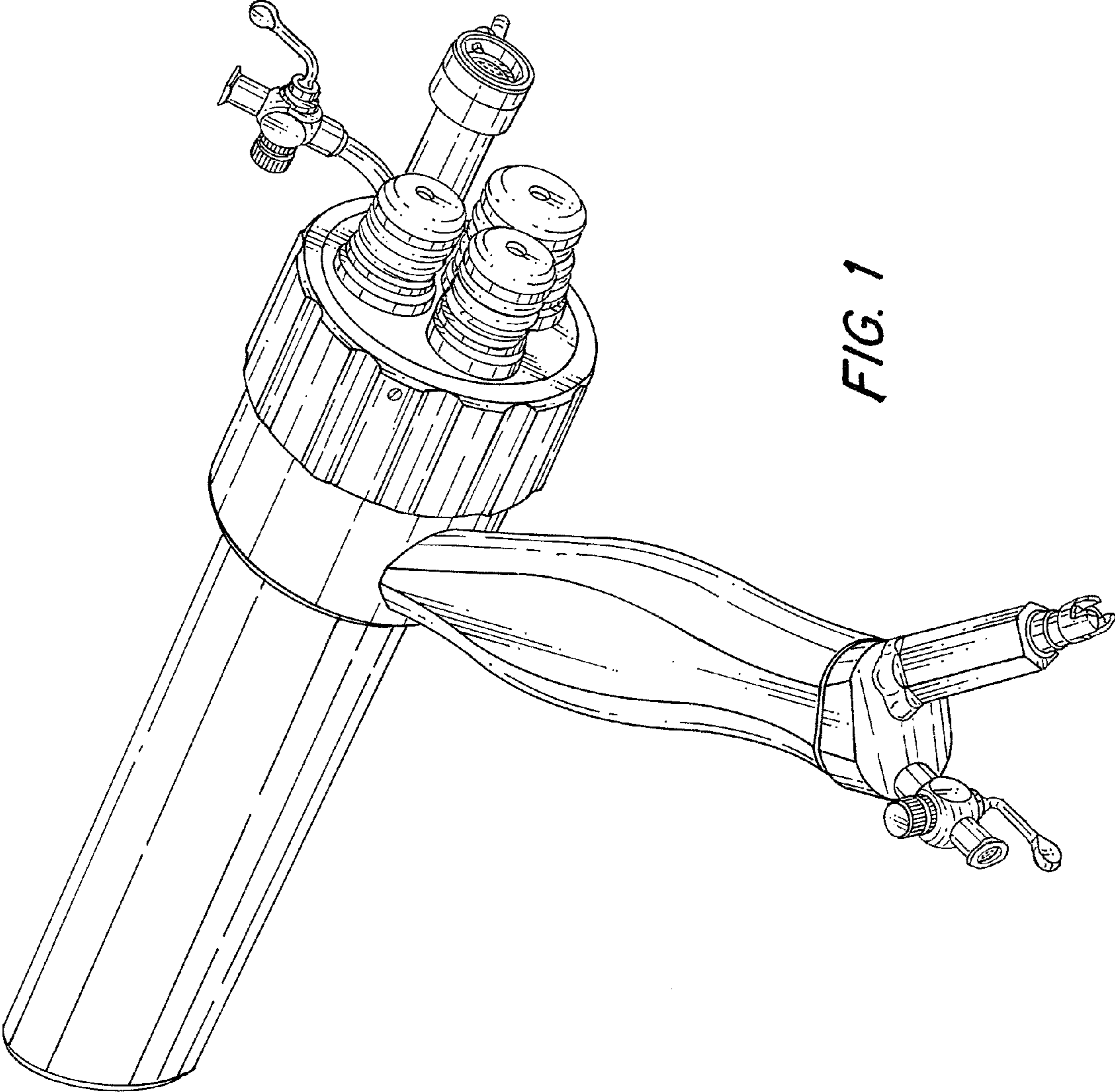


FIG. 1

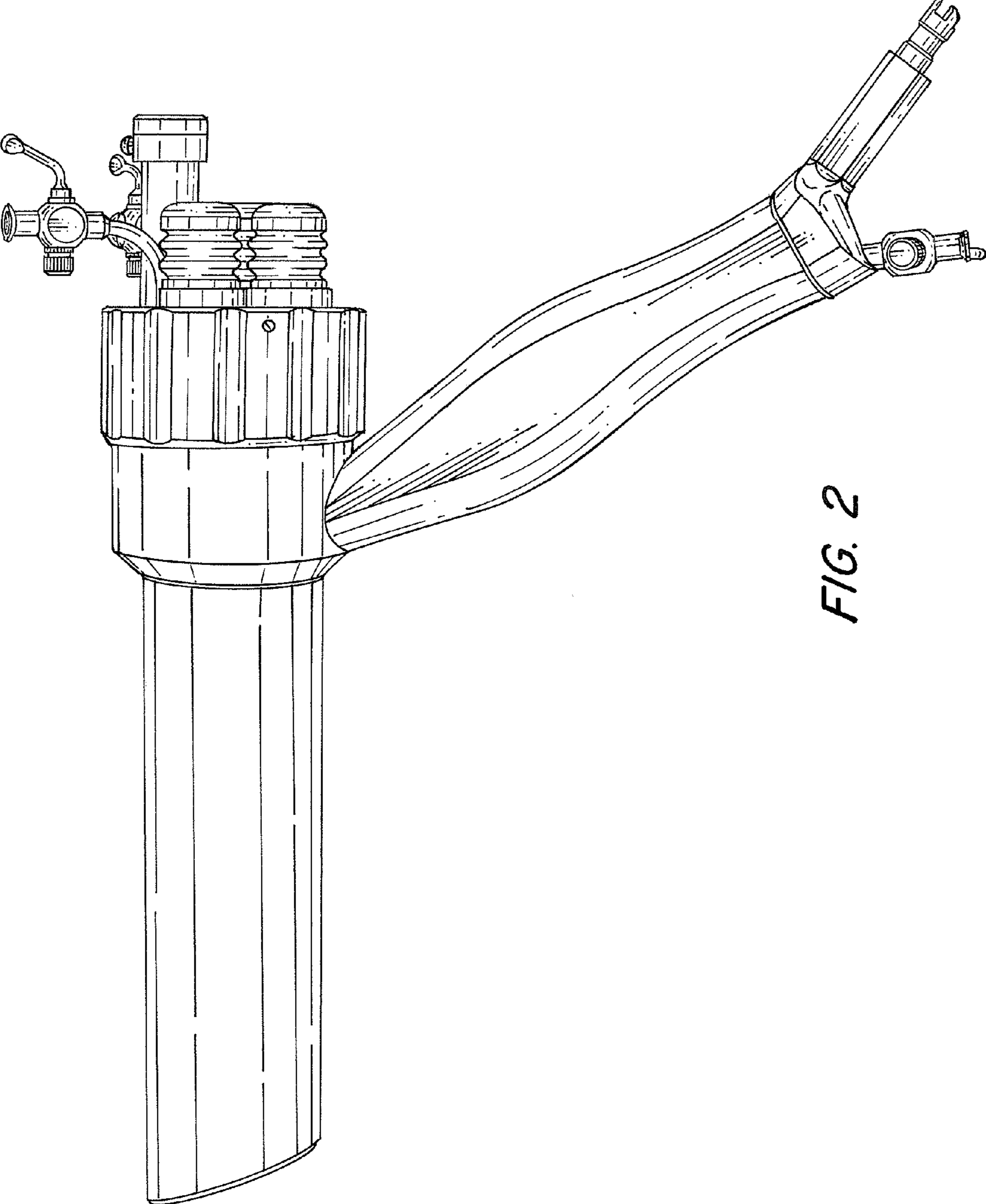


FIG. 2

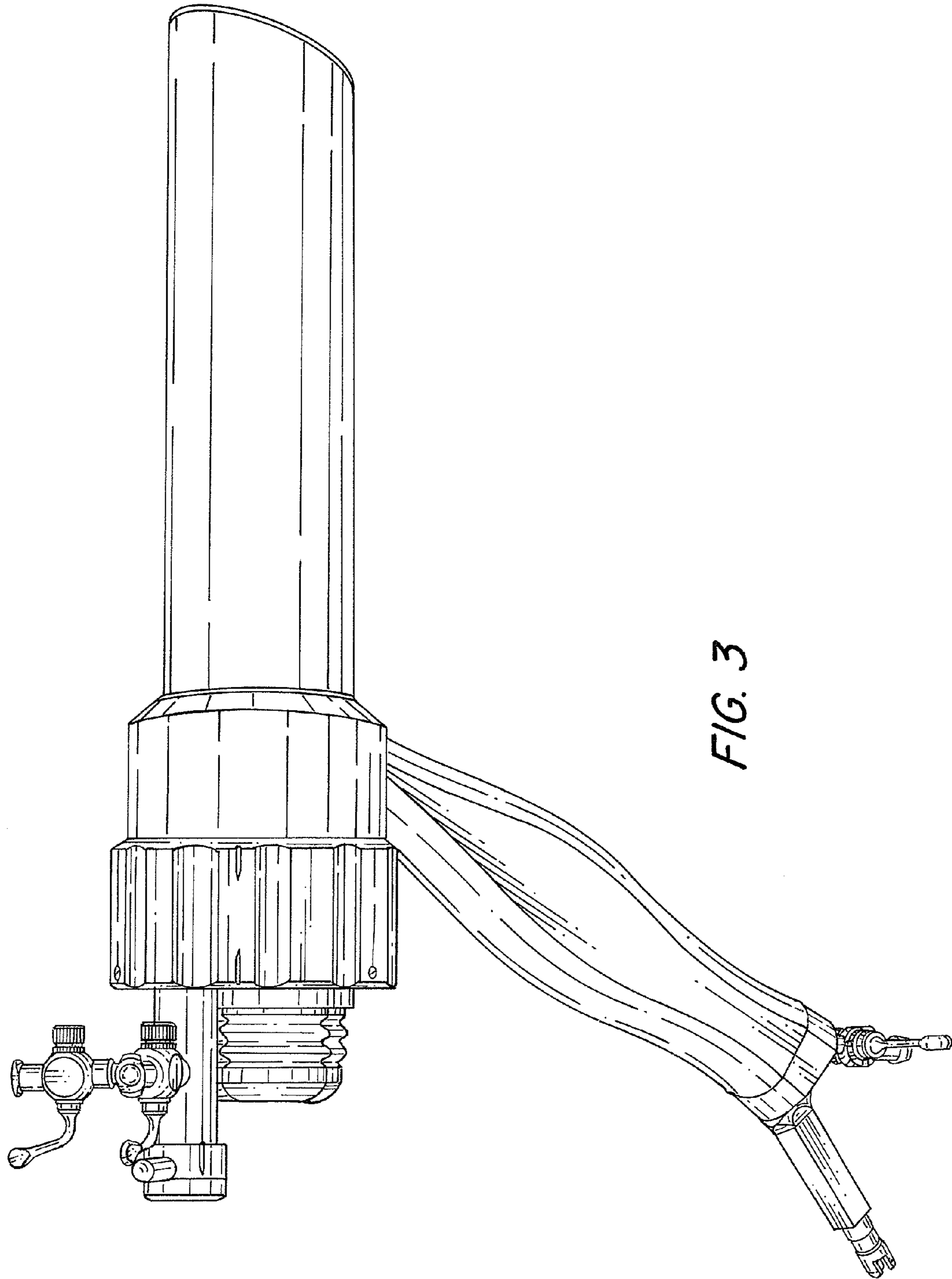


FIG. 3

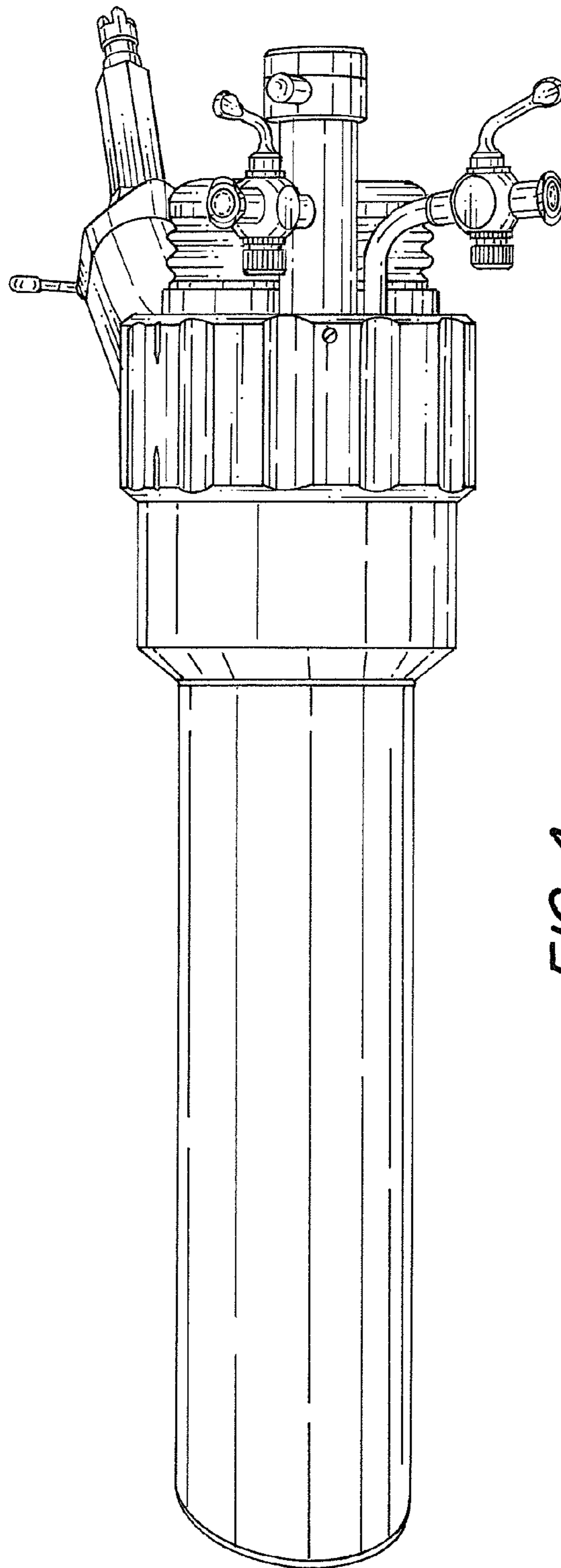


FIG. 4

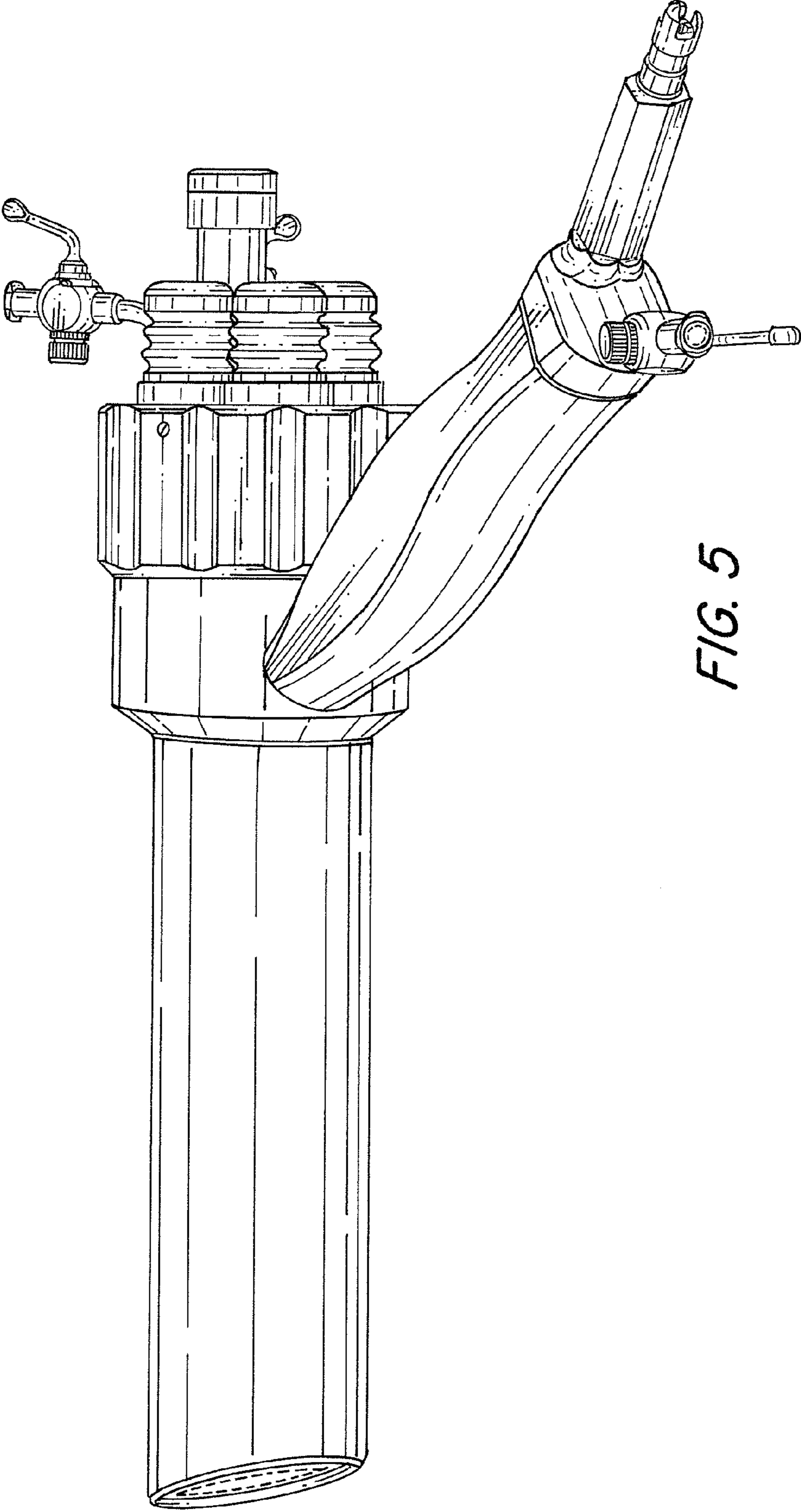


FIG. 5

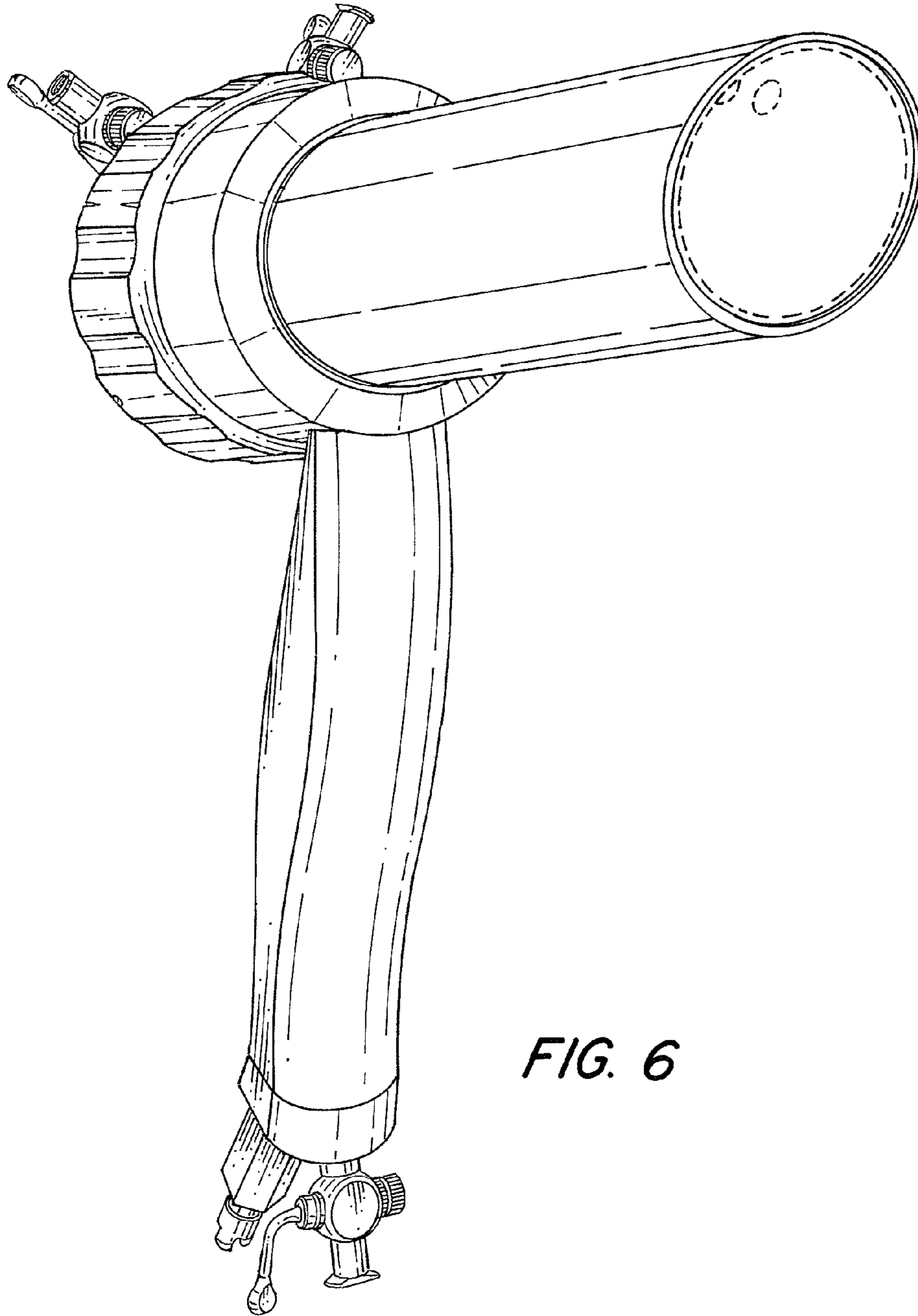


FIG. 6

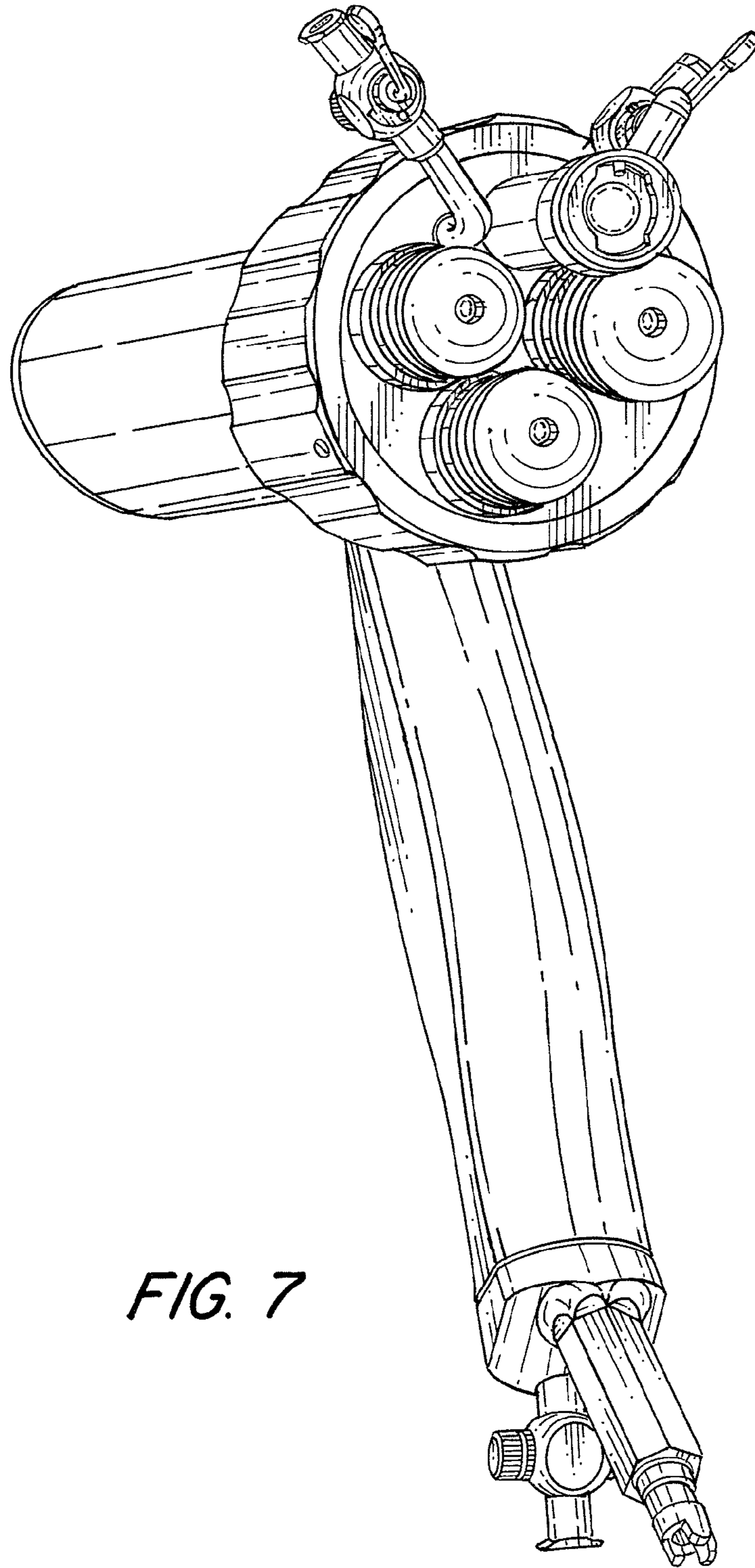


FIG. 7