

US00D666716S

(12) **United States Design Patent**  
**Hayamizu**

(10) **Patent No.:** **US D666,716 S**  
(45) **Date of Patent:** **\*\* Sep. 4, 2012**

(54) **DISPLAY SCREEN FOR A CONTROL PANEL OF AN ENDOSCOPE**

(75) Inventor: **Eiji Hayamizu**, Tokyo (JP)

(73) Assignee: **Hoya Corporation**, Tokyo (JP)

(\*\*) Term: **14 Years**

(21) Appl. No.: **29/395,434**

(22) Filed: **Jan. 19, 2012**

(30) **Foreign Application Priority Data**

Jul. 21, 2011 (JP) ..... 2011-016780  
Jul. 21, 2011 (JP) ..... 2011-016781

(51) **LOC (9) Cl.** ..... **24-02**

(52) **U.S. Cl.** ..... **D24/138; D14/247; D14/491**

(58) **Field of Classification Search** ..... D24/138,  
D24/137, 107, 186; D14/247, 455, 456,  
D14/486, 487, 488, 489-493; D13/168;  
D18/7; 606/101-183

See application file for complete search history.

(56) **References Cited**

**U.S. PATENT DOCUMENTS**

D318,462 S *	7/1991	Worthylake	.....	D14/345
D376,207 S *	12/1996	Buczek et al.	.....	D24/172
D389,157 S *	1/1998	Williams et al.	.....	D14/247
D393,628 S *	4/1998	Ledbetter et al.	.....	D13/168
D396,108 S *	7/1998	Garito et al.	.....	D24/144
D412,000 S *	7/1999	Harris et al.	.....	D14/247
D412,977 S *	8/1999	Hayamizu	.....	D24/107
D459,344 S *	6/2002	Vuolteenaho	.....	D14/247
D481,123 S *	10/2003	Hayamizu	.....	D24/138
D492,675 S *	7/2004	Wei et al.	.....	D14/248
D496,031 S *	9/2004	Ma et al.	.....	D14/240
D496,634 S *	9/2004	Tseng et al.	.....	D13/168
D529,448 S *	10/2006	de Melo et al.	.....	D13/168

D534,654 S *	1/2007	Hayamizu	.....	D24/138
D537,163 S *	2/2007	Nakamura	.....	D24/138
D544,495 S *	6/2007	Evans et al.	.....	D14/488
D564,661 S *	3/2008	Hayashi	.....	D24/138
D579,011 S *	10/2008	Furuno et al.	.....	D14/247
D584,297 S *	1/2009	Furuno et al.	.....	D14/247
D599,804 S *	9/2009	Wang et al.	.....	D14/455
D599,905 S *	9/2009	Matsushita	.....	
D618,628 S *	6/2010	Giugiaro	.....	D13/168
D627,476 S *	11/2010	Gaw et al.	.....	D24/186
7,877,135 B2 *	1/2011	Iketani et al.	.....	600/476
D641,081 S *	7/2011	Onuma	.....	D24/138
D656,950 S *	4/2012	Shallcross et al.	.....	D14/488
2007/0088193 A1 *	4/2007	Omori et al.	.....	600/101

\* cited by examiner

*Primary Examiner* — Bridget L Eland

(74) *Attorney, Agent, or Firm* — Faegre Baker Daniels LLP

(57) **CLAIM**

The ornamental design for a display screen for a control panel of an endoscope, as shown and described.

**DESCRIPTION**

FIG. 1 is a front elevational view of a first embodiment of a display screen for a control panel of an endoscope showing my new design;

FIG. 2 is a top plan view thereof;

FIG. 3 is an enlarged front elevational view thereof;

FIG. 4 is a front elevational view of a second embodiment of a display screen for a control panel of an endoscope showing my new design;

FIG. 5 is a top plan view thereof; and,

FIG. 6 is an enlarged front elevational view thereof.

The features shown in broken lines in the drawings depict environmental subject matter only and form no part of the claimed design. The dot-dashed lines denote the boundary of the claim, and form no part of the claimed design.

**1 Claim, 6 Drawing Sheets**

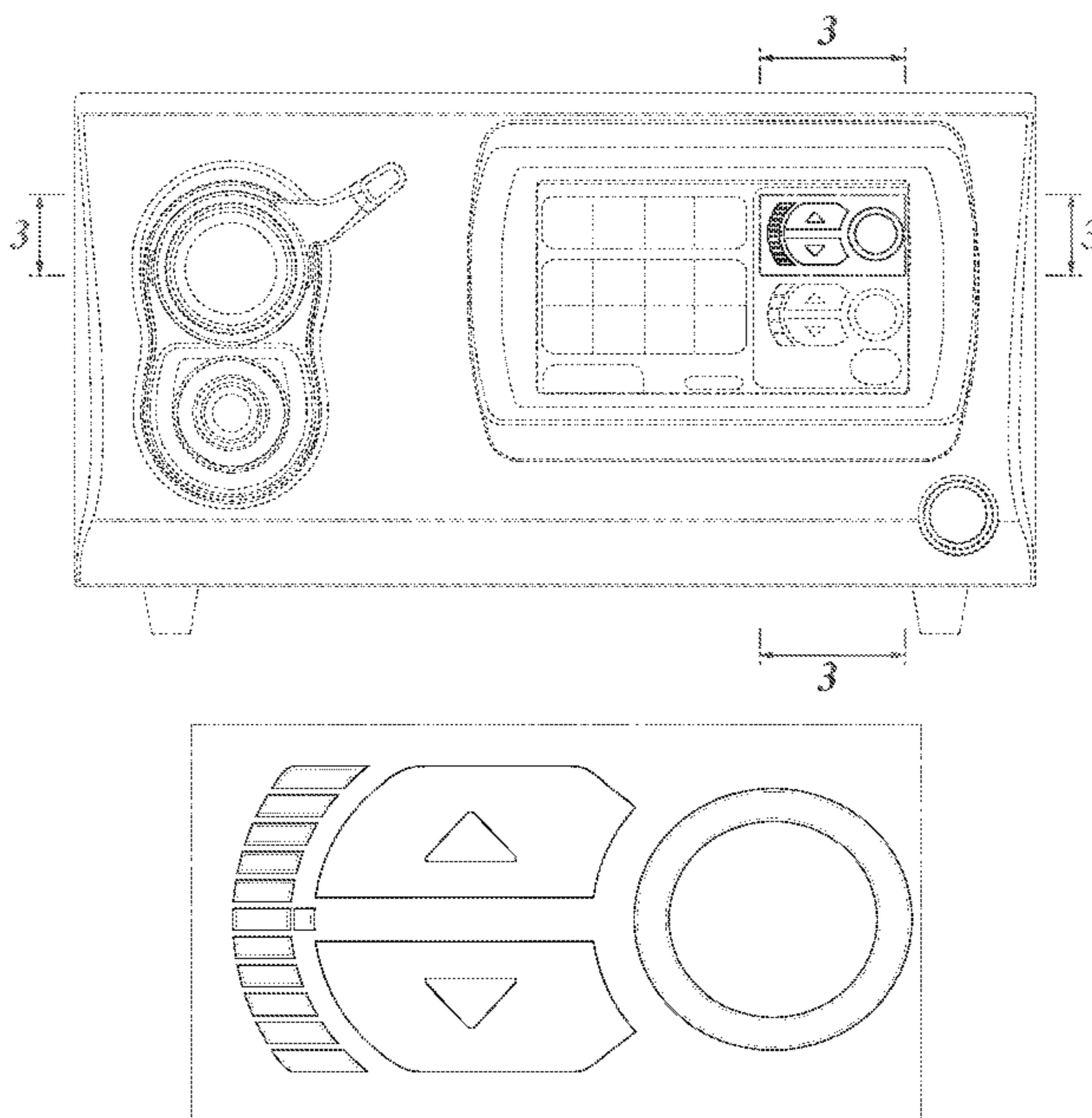
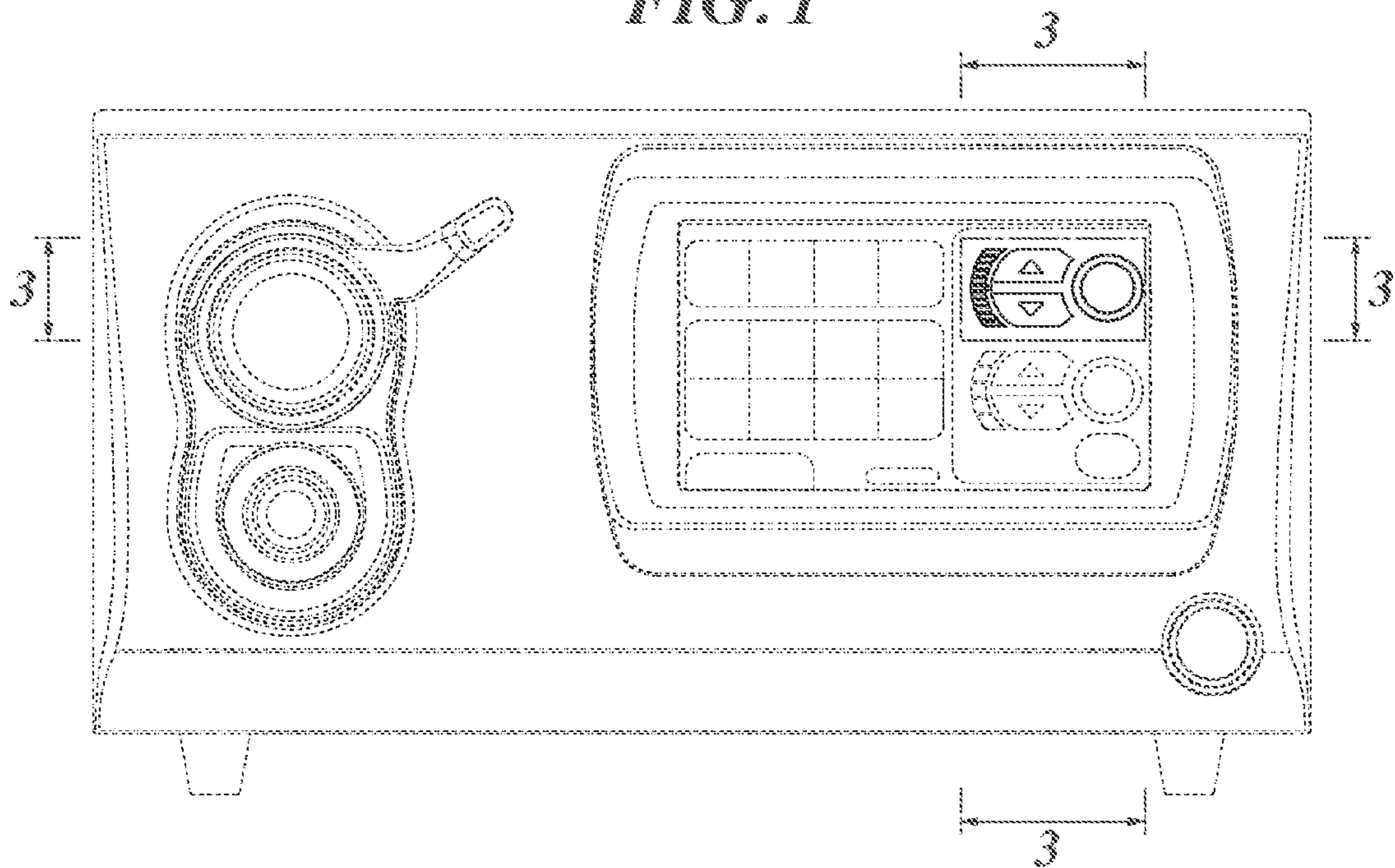
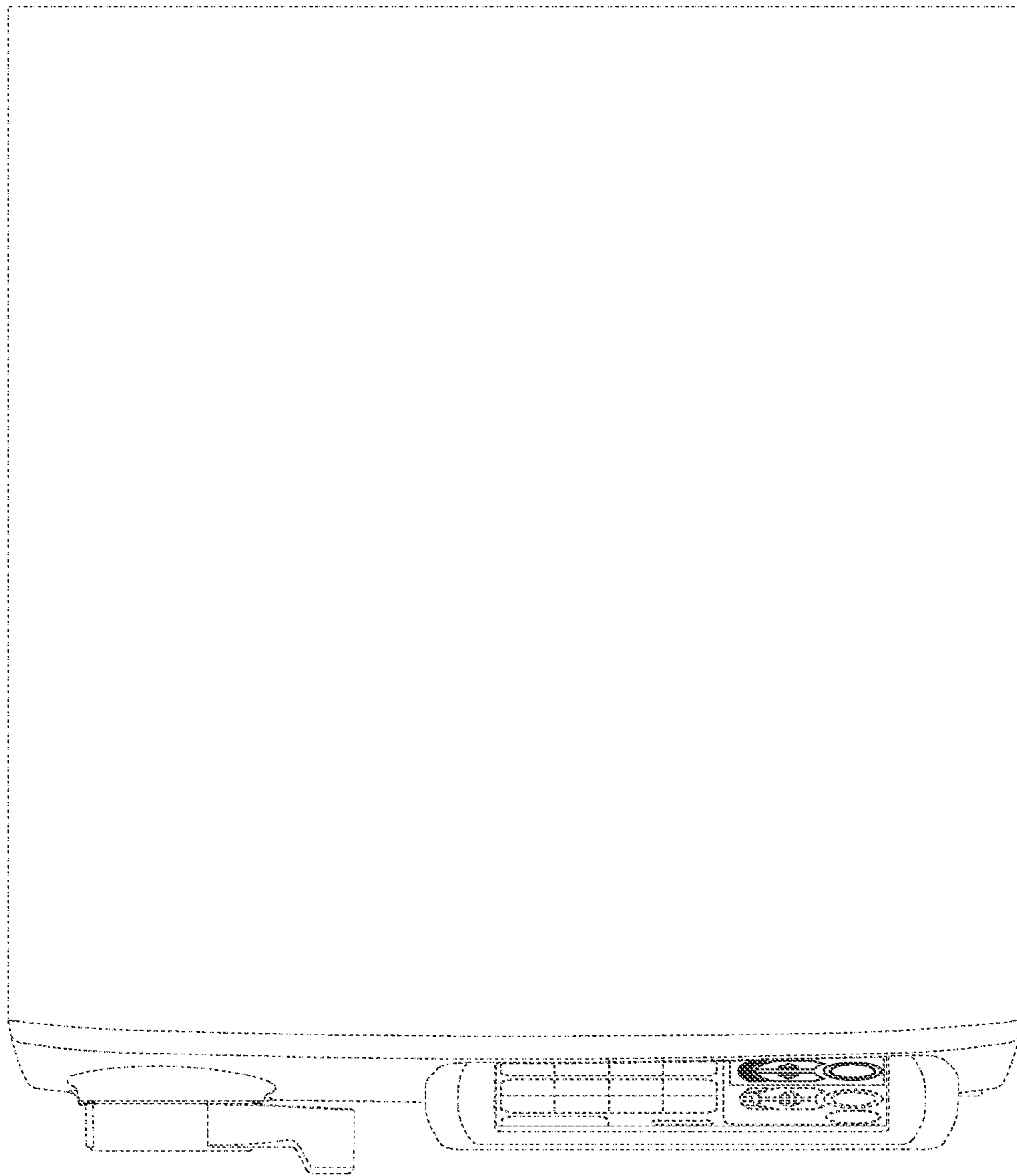


FIG. 1



*FIG. 2*



*FIG. 3*

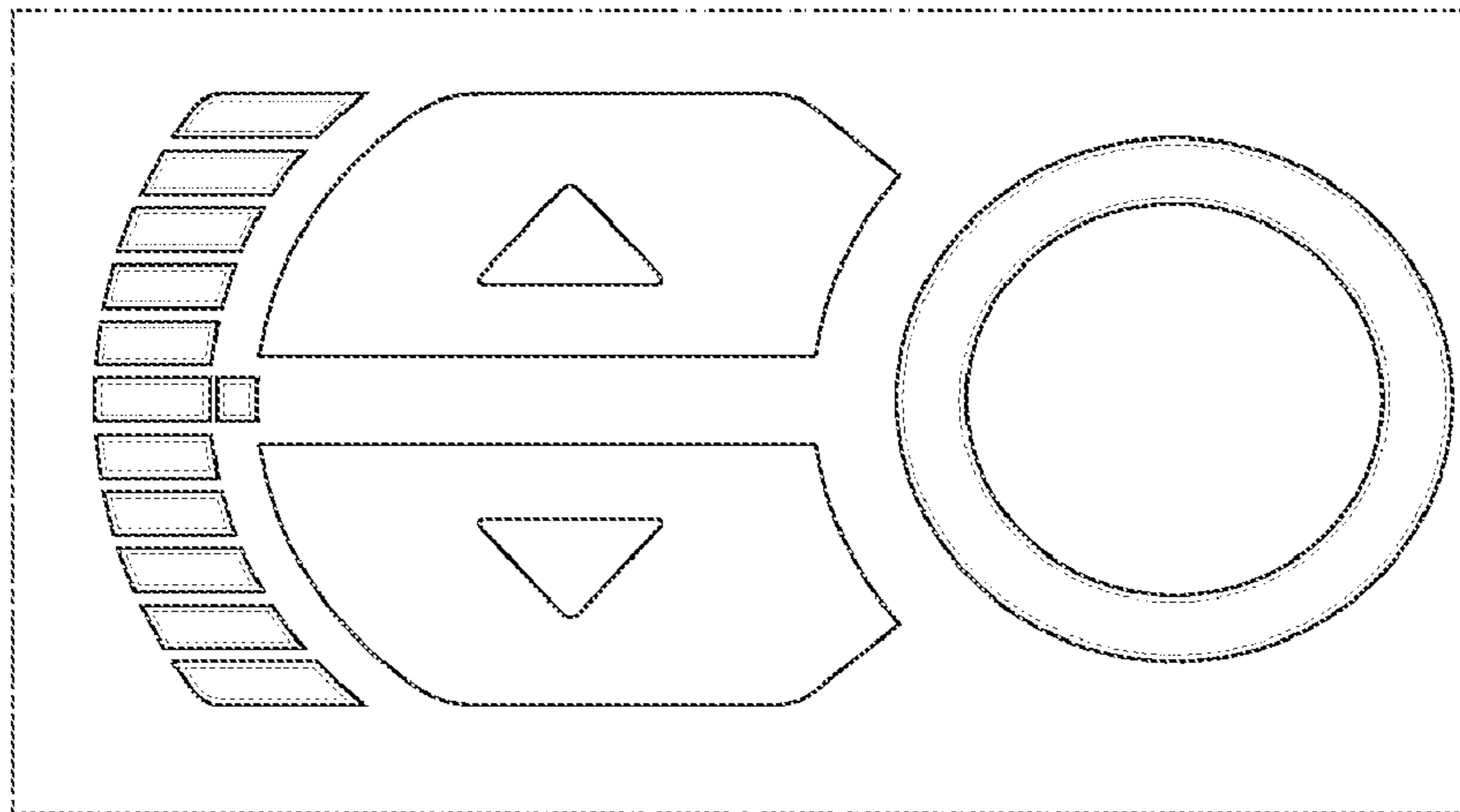
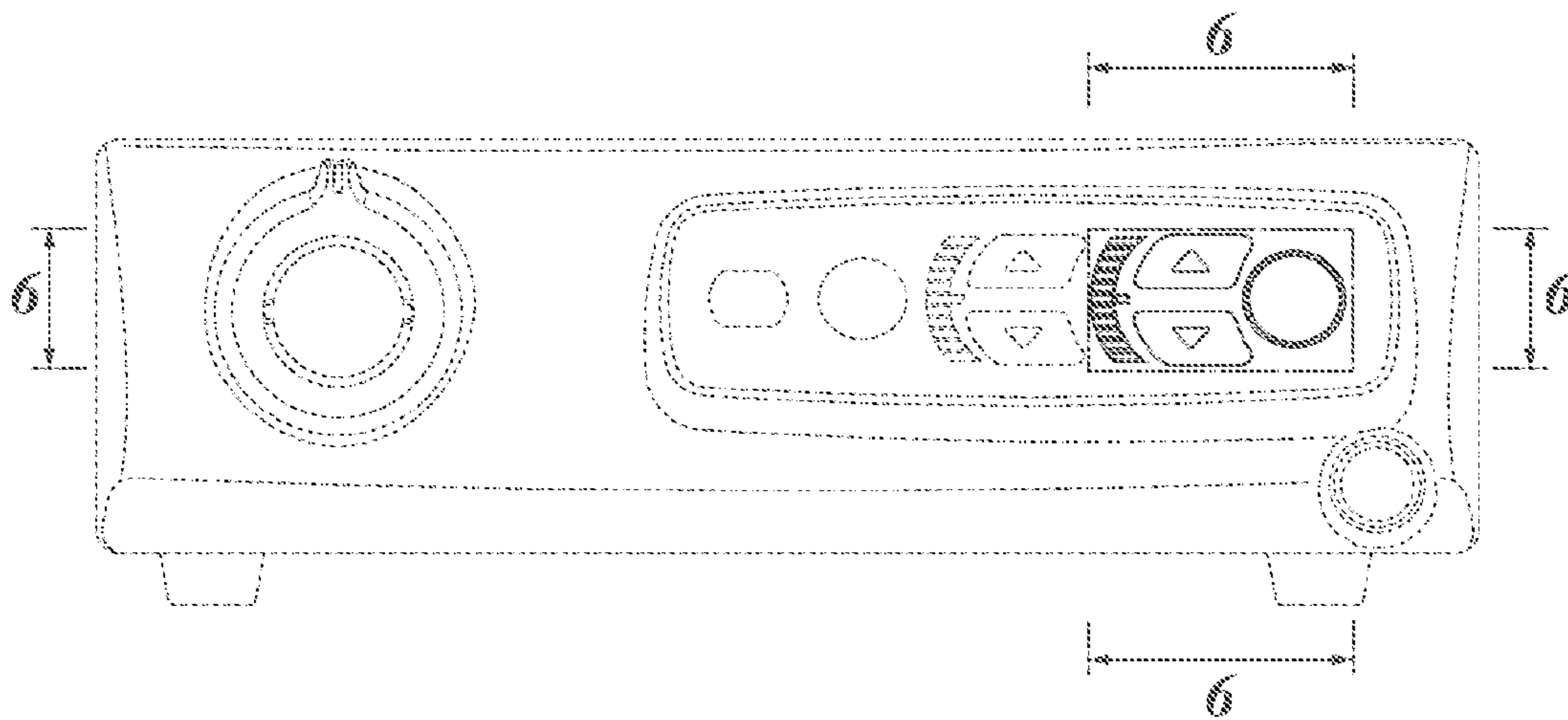
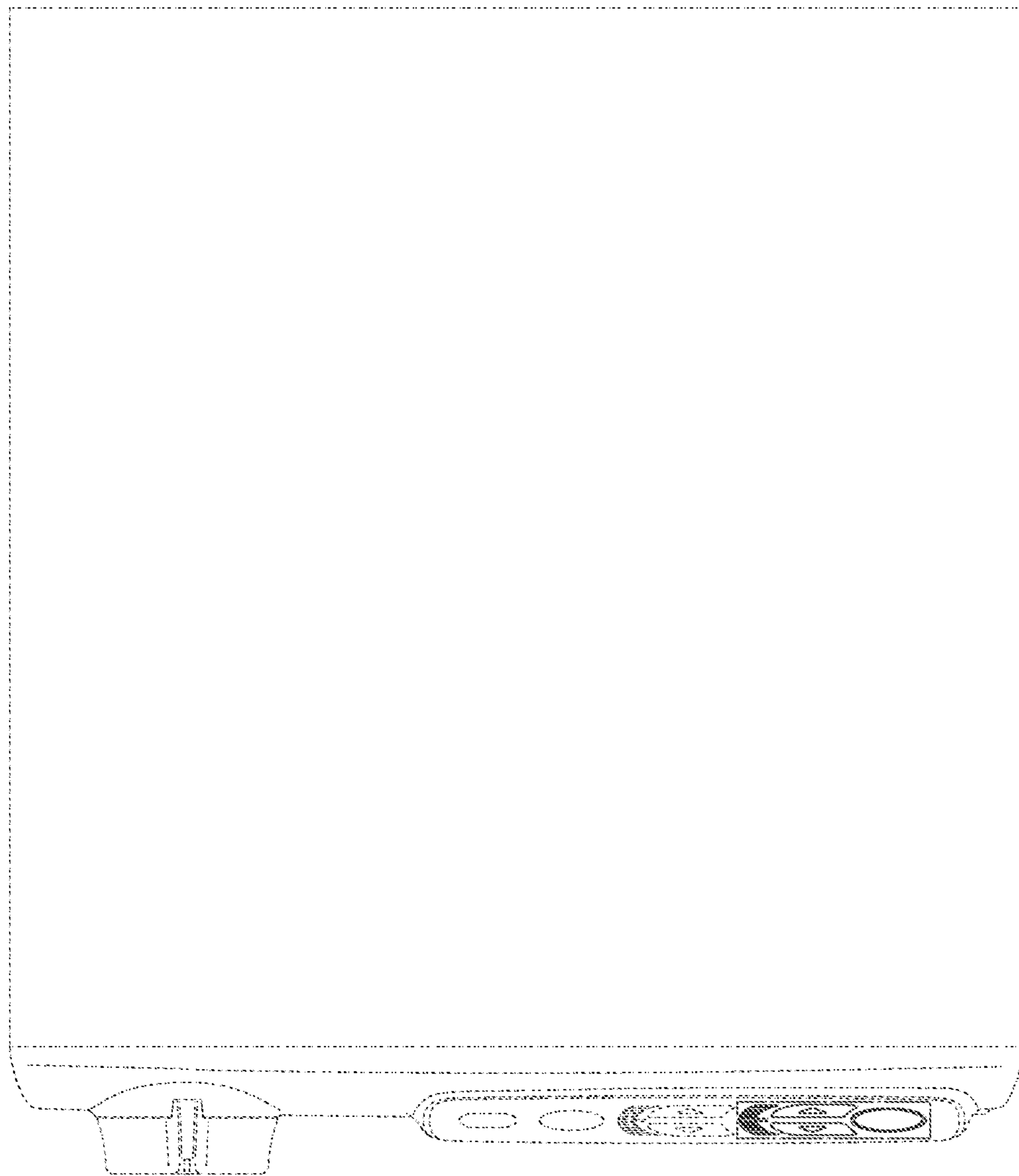


FIG. 4



*FIG. 5*



*FIG. 6*

