



US00D666715S

(12) **United States Design Patent**
Becker

(10) **Patent No.:** **US D666,715 S**
(45) **Date of Patent:** **** Sep. 4, 2012**

(54) **RESECTOSCOPE SHEATH**

(75) Inventor: **Wolfram Becker**, Laer (DE)

(73) Assignee: **Karl Storz GmbH & Co. KG** (DE)

(**) Term: **14 Years**

(21) Appl. No.: **29/395,000**

(22) Filed: **Jun. 23, 2011**

(30) **Foreign Application Priority Data**

Dec. 23, 2010 (EM) 001798331-0012

(51) **LOC (9) Cl.** **24-02**

(52) **U.S. Cl.** **D24/138**

(58) **Field of Classification Search** D24/133,
D24/137, 138, 146, 147; 600/105, 119, 121;
606/46

See application file for complete search history.

(56) **References Cited**

U.S. PATENT DOCUMENTS

D271,618	S *	11/1983	Nishigaki	D24/138
6,730,084	B2 *	5/2004	Held	606/46
D549,824	S *	8/2007	Sauer	D24/146
D597,204	S *	7/2009	Oberlaender et al.	D24/133
D603,046	S *	10/2009	Frey	D24/146
D606,194	S *	12/2009	Frey et al.	D24/147
D610,681	S *	2/2010	Frey et al.	D24/140
D617,458	S *	6/2010	Frey	D24/138
D620,108	S *	7/2010	Eitenmueller et al.	D24/144

D621,937	S *	8/2010	Efinger et al.	D24/137
D622,846	S *	8/2010	Frey	D24/138
2003/0130648	A1 *	7/2003	Jensen et al.	606/1
2011/0196207	A1 *	8/2011	Smith et al.	600/208

OTHER PUBLICATIONS

Storz—Die Welt Der Endoskopie—Urologie; p. 42—Resektoskopschäfte; p. 44—Resektoskopschäfte mit Feststehendem Innenschaft, and p. 45—Resektoskopschäfte mit Drehbarem Innenschaft; 2008 (4 pages total).

* cited by examiner

Primary Examiner — Bridget L Eland

(74) *Attorney, Agent, or Firm* — St. Onge Steward Johnston & Reens LLC

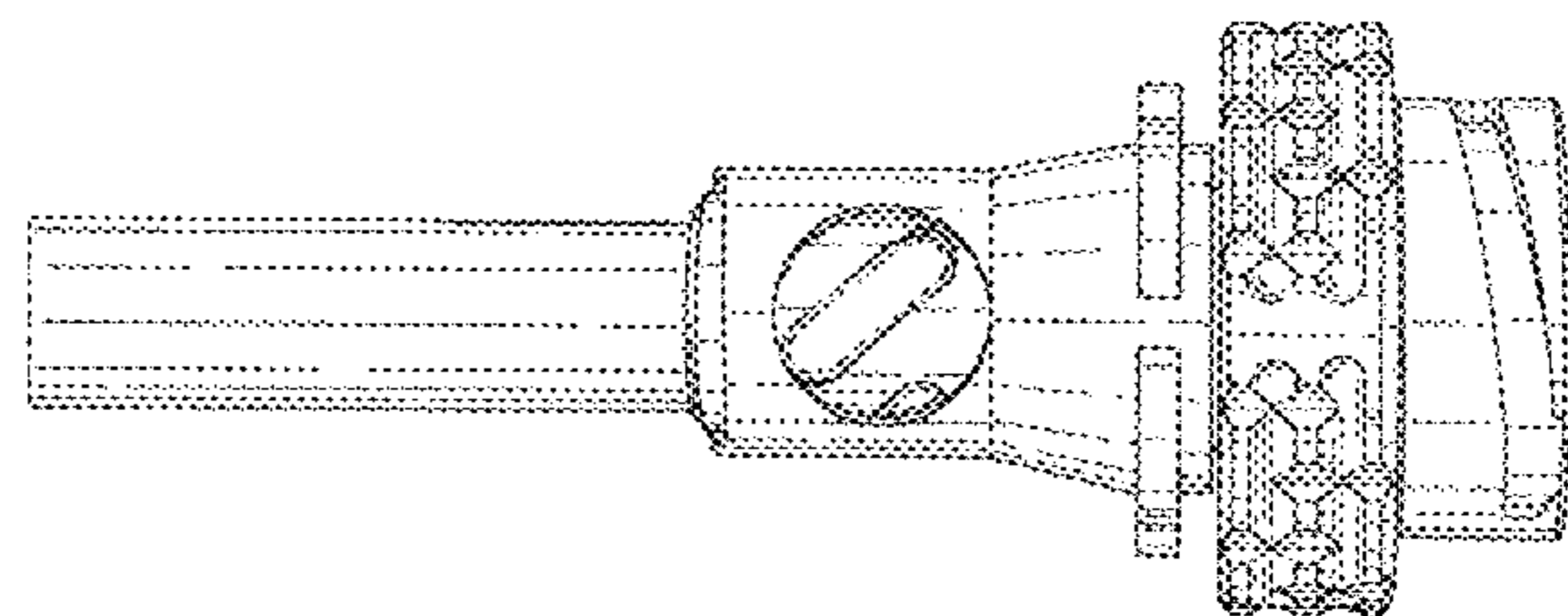
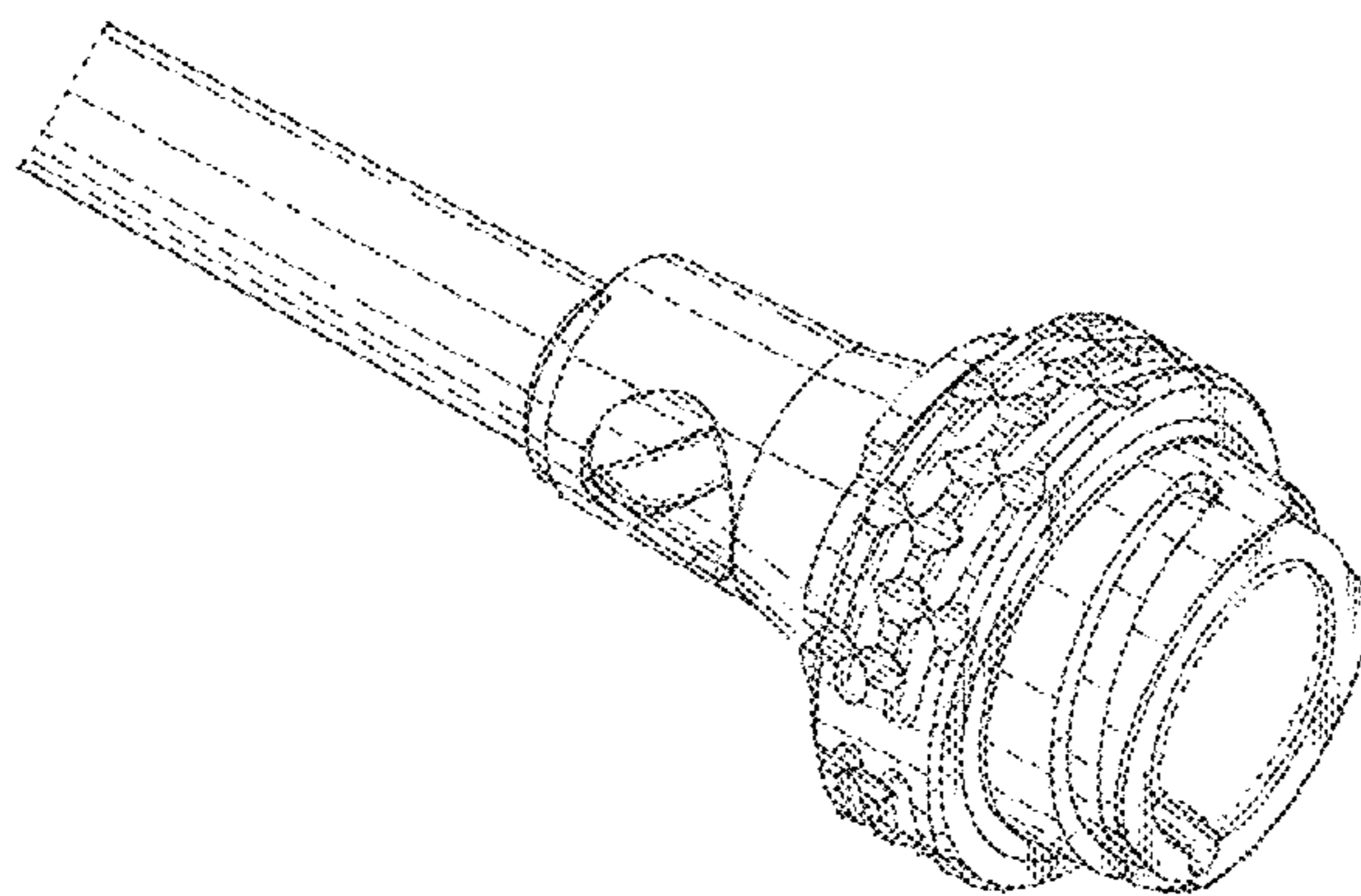
(57) **CLAIM**

The ornamental design for a resectoscope sheath, as shown and described.

DESCRIPTION

FIG. 1 is a front right side perspective view of a resectoscope sheath in accordance with the new design; FIG. 2 is a right side elevation view thereof; FIG. 3 is a left side elevation view thereof; FIG. 4 is a top elevation view thereof; FIG. 5 is a bottom elevation view thereof; FIG. 6 is front isometric view thereof; and, FIG. 7 is rear isometric view thereof. The broken lines shown in FIGS. 1-7 represent the bounds of the claimed design and form no part of the claimed design.

1 Claim, 7 Drawing Sheets



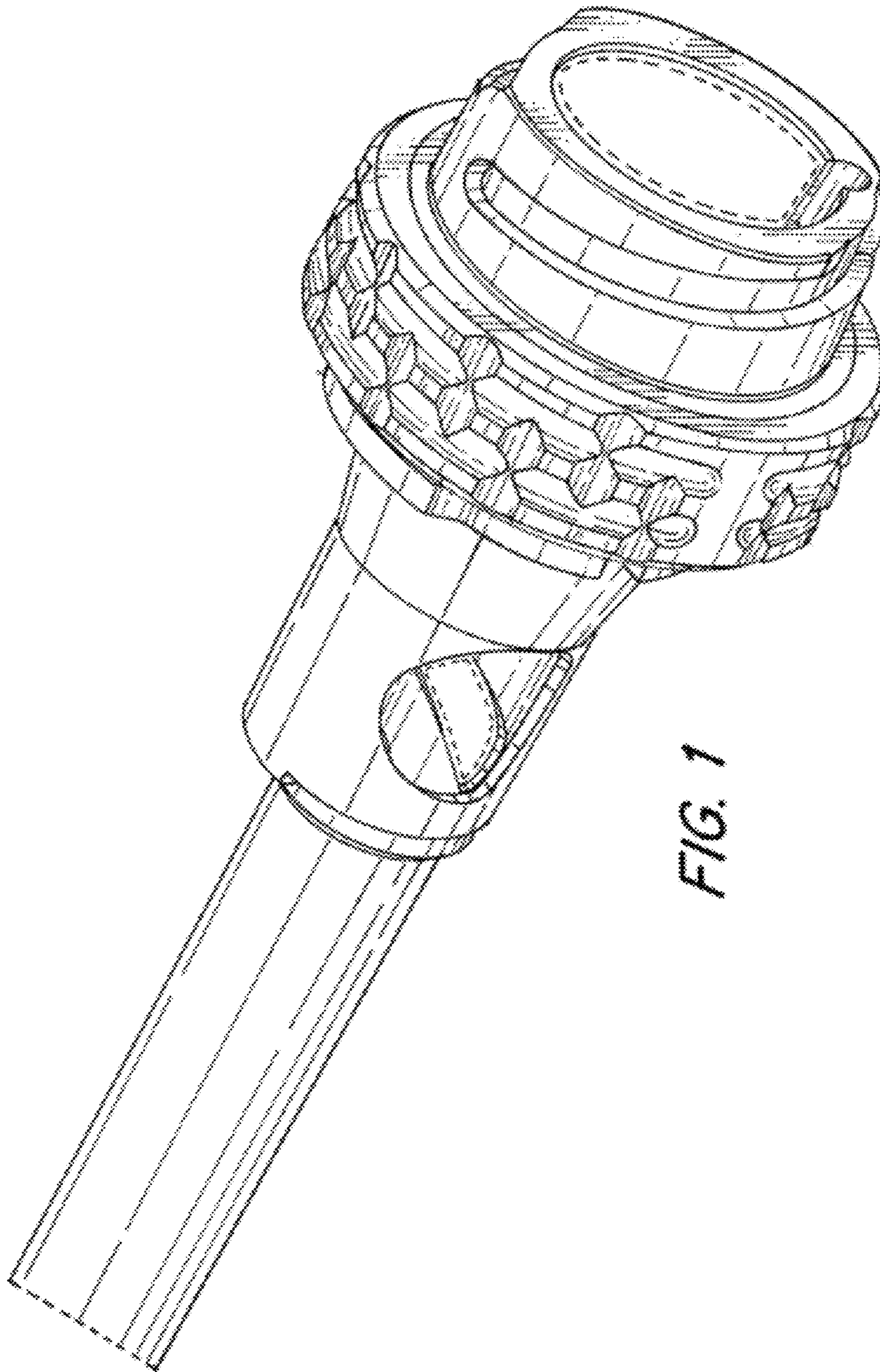


FIG. 1

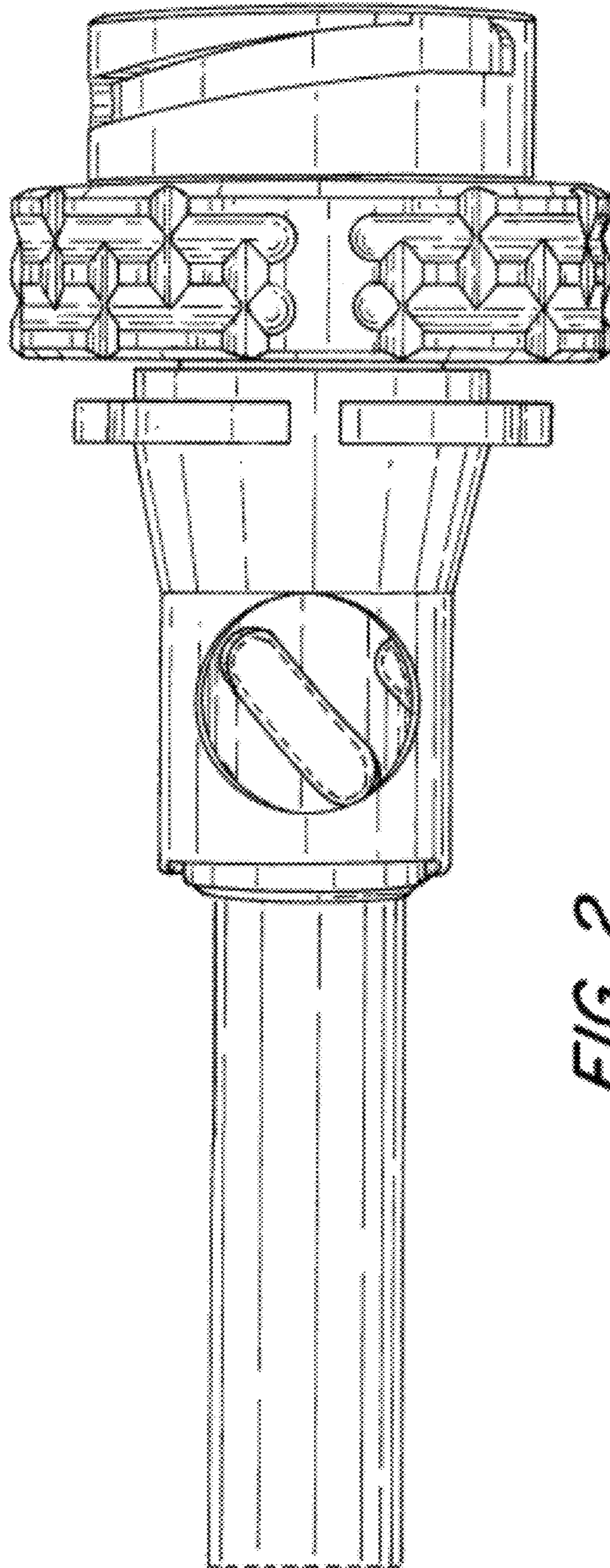


FIG. 2

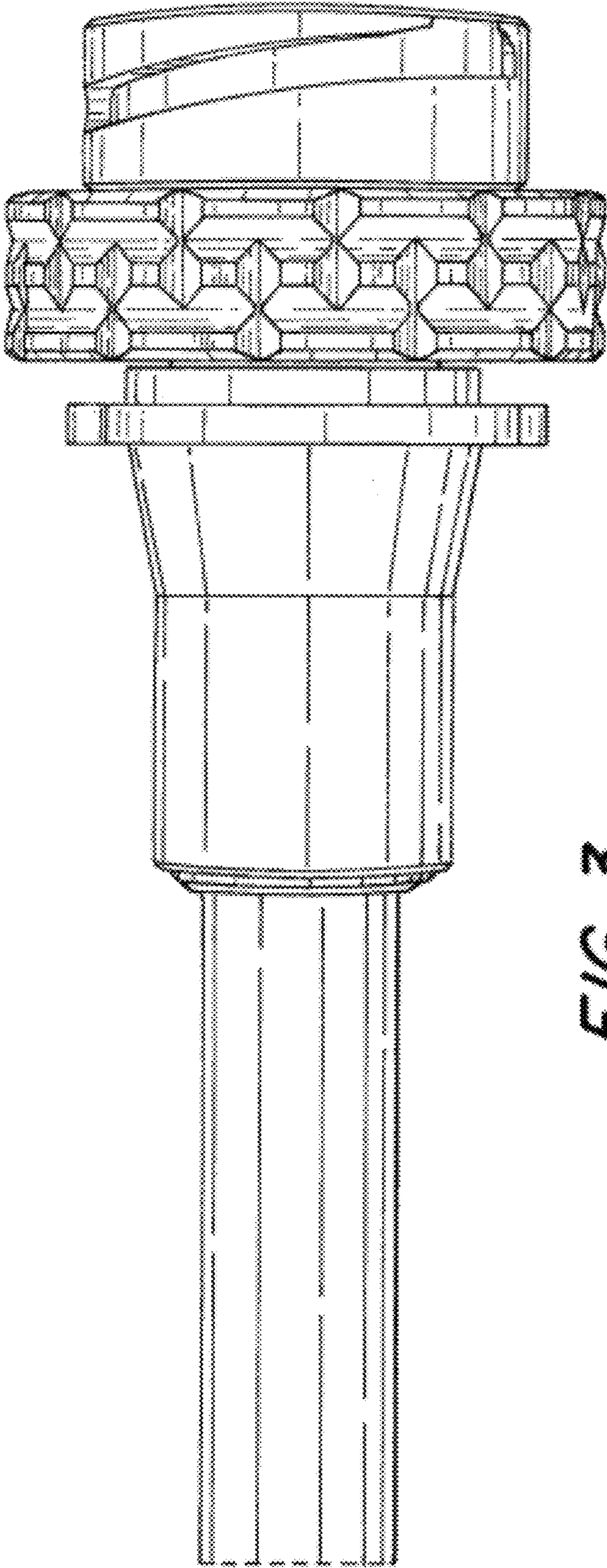


FIG. 3

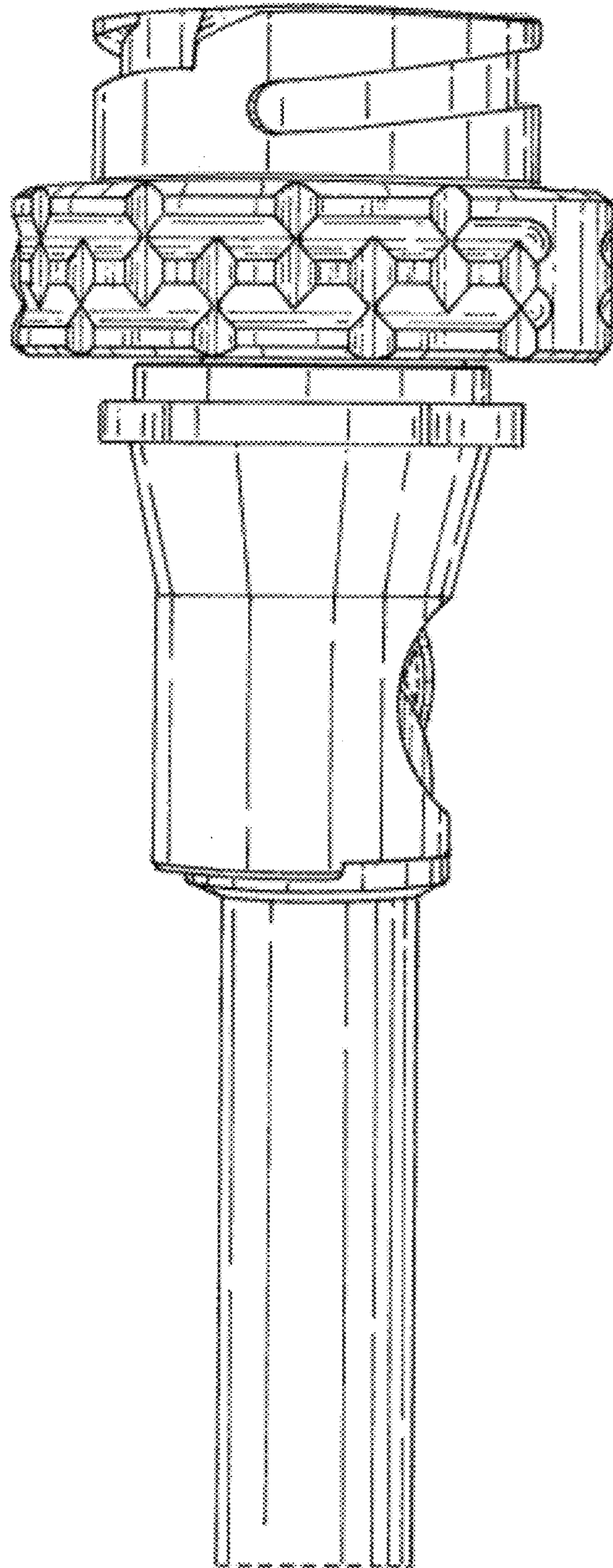


FIG. 4

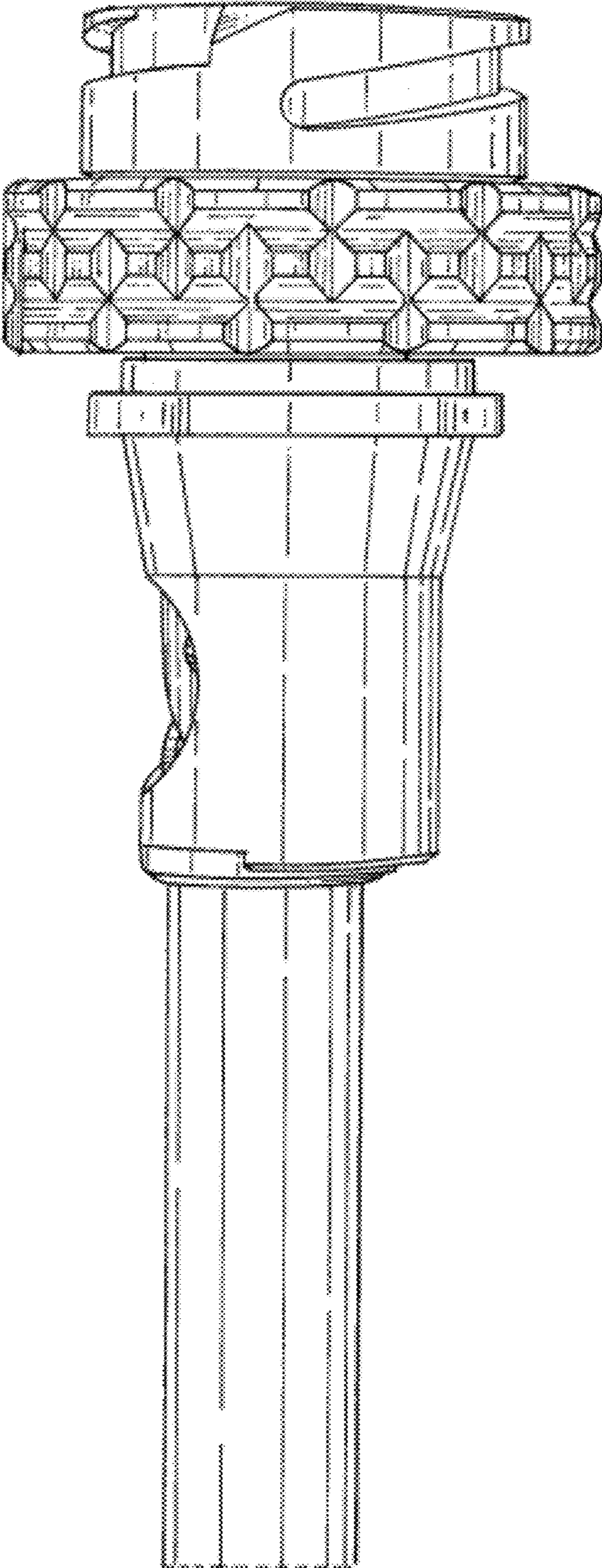


FIG. 5

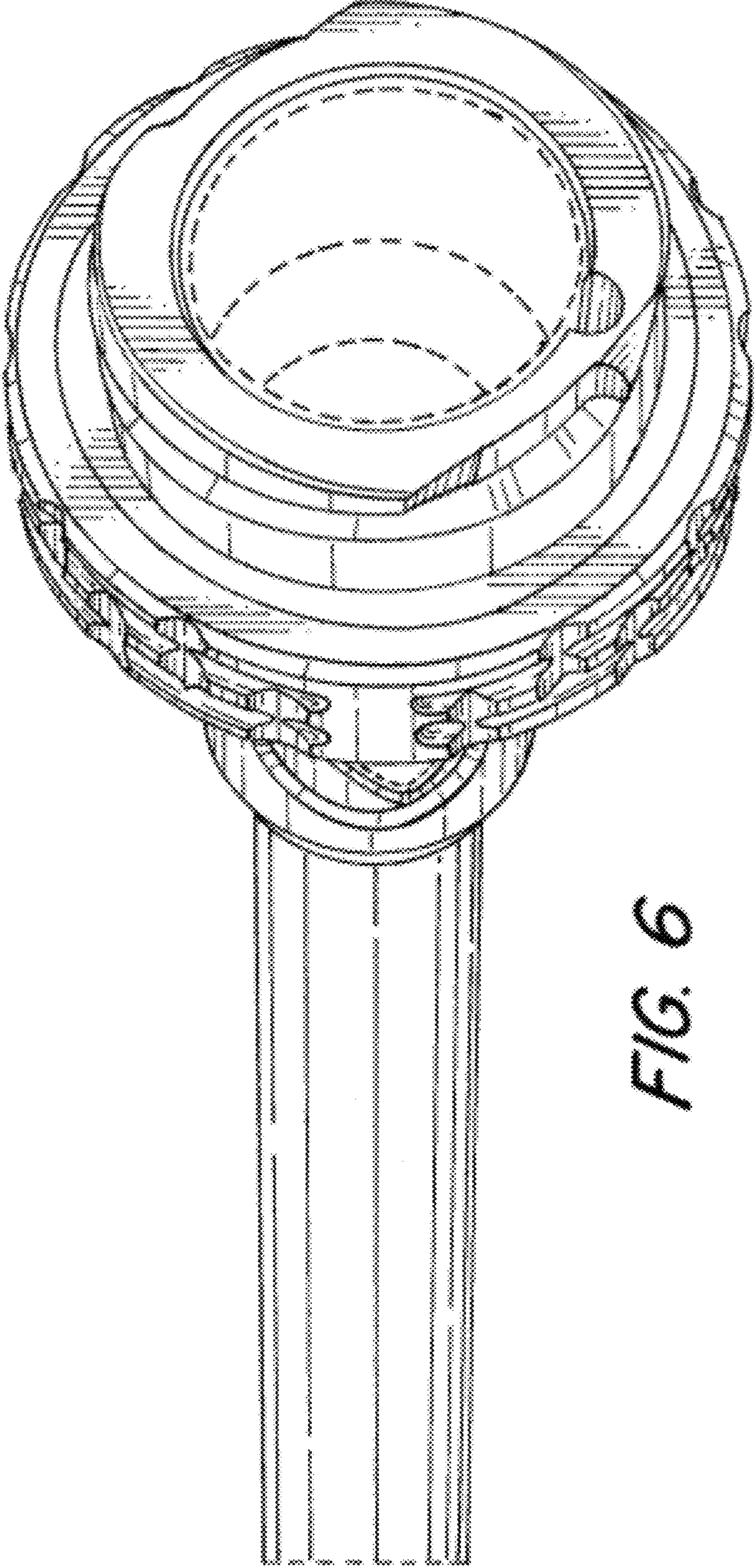


FIG. 6

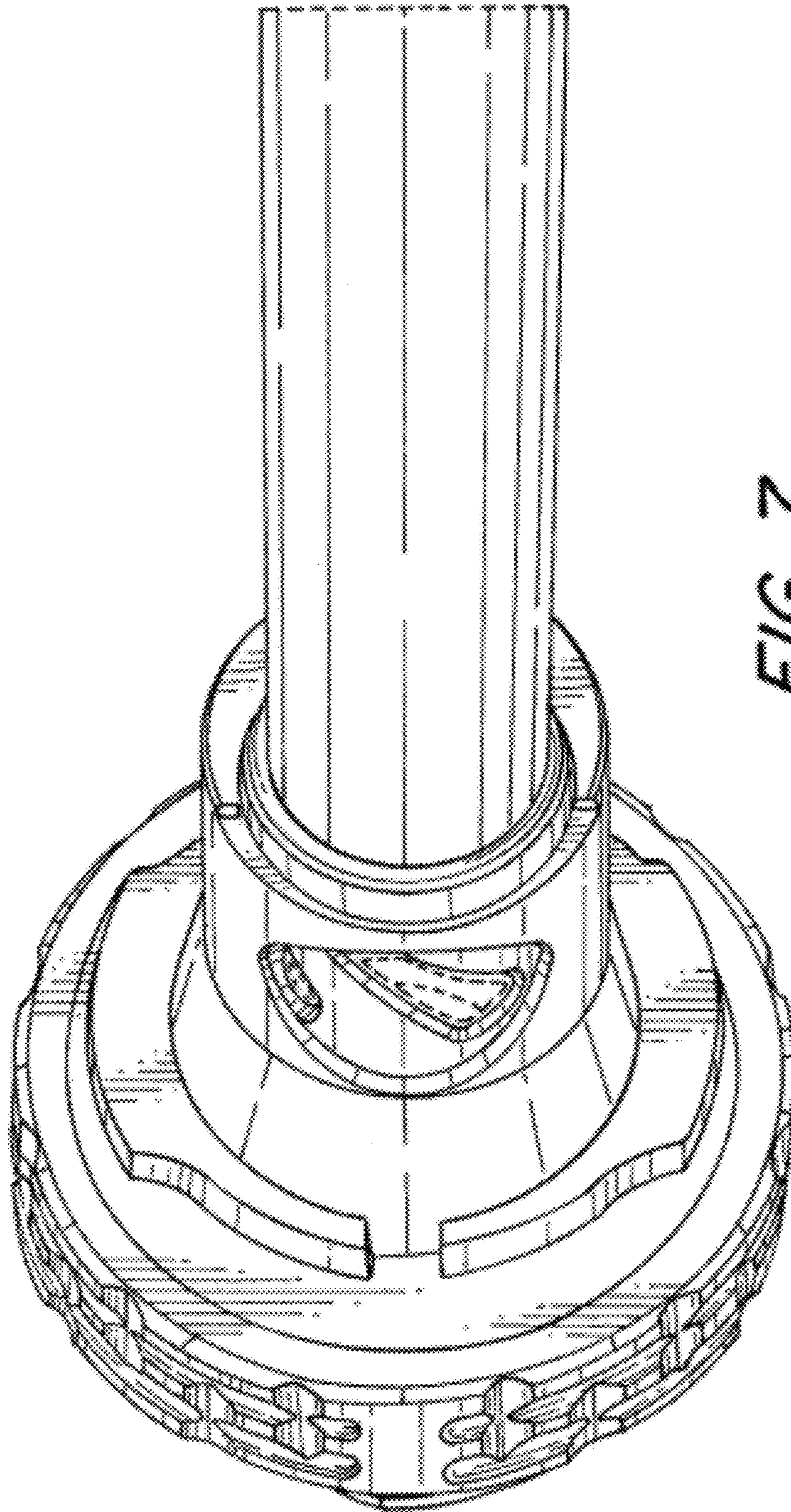


FIG. 7