



US00D666713S

(12) **United States Design Patent**
Waite et al.

(10) **Patent No.:** **US D666,713 S**
(45) **Date of Patent:** **** Sep. 4, 2012**

(54) **TIBIAL KEEL PUNCH**

- (75) Inventors: **David Waite**, Warsaw, IN (US); **Scott Thomas**, Fort Wayne, IN (US)
- (73) Assignee: **DePuy Products, Inc.**, Warsaw, IN (US)
- (**) Term: **14 Years**
- (21) Appl. No.: **29/396,478**
- (22) Filed: **Jun. 30, 2011**
- (51) **LOC (9) Cl.** **24-02**
- (52) **U.S. Cl.** **D24/133**
- (58) **Field of Classification Search** D24/133,
D24/140, 146, 147, 155; 606/53, 88, 86 R,
606/102
See application file for complete search history.

(56) **References Cited**

U.S. PATENT DOCUMENTS

D269,547	S *	6/1983	Rosenthal	D24/133
D338,270	S *	8/1993	Stephens et al.	D24/140
5,356,414	A *	10/1994	Cohen et al.	606/88
5,976,147	A *	11/1999	LaSalle et al.	606/88
5,989,261	A *	11/1999	Walker et al.	606/102
6,355,045	B1	3/2002	Gundlapalli et al.		
6,821,470	B2 *	11/2004	Gundlapalli et al.	264/275
D518,178	S *	3/2006	Christiansen	D24/147
7,291,174	B2 *	11/2007	German et al.	623/20.15
7,695,519	B2 *	4/2010	Collazo	623/20.15
D619,251	S *	7/2010	Justiniano-Garcia et al.	D24/147
2006/0089641	A1	4/2006	Collazo		
2008/0221569	A1 *	9/2008	Moore et al.	606/53
2010/0016979	A1 *	1/2010	Wyss et al.	623/20.27
2010/0076438	A1	3/2010	Correia et al.		
2011/0178605	A1 *	7/2011	Auger et al.	623/20.15

OTHER PUBLICATIONS

- P.F.C. Sigma Rotating Platform Knee System with M.B.T Tray, Primary Procedure with a Curved or Posterior Stabilised Implant, 2003, 43 pages.
- LCS High Performance Instruments, Surgical Technique, 2008, 44 pages.
- Sigma High Performance Instruments, Design Rationale, 2007, 12 pages.
- Sigma High Performance Instruments, Classic Surgical Technique, 2010, 52 pages.

* cited by examiner

Primary Examiner — Bridget L Eland

(74) *Attorney, Agent, or Firm* — Barnes & Thornburg LLP

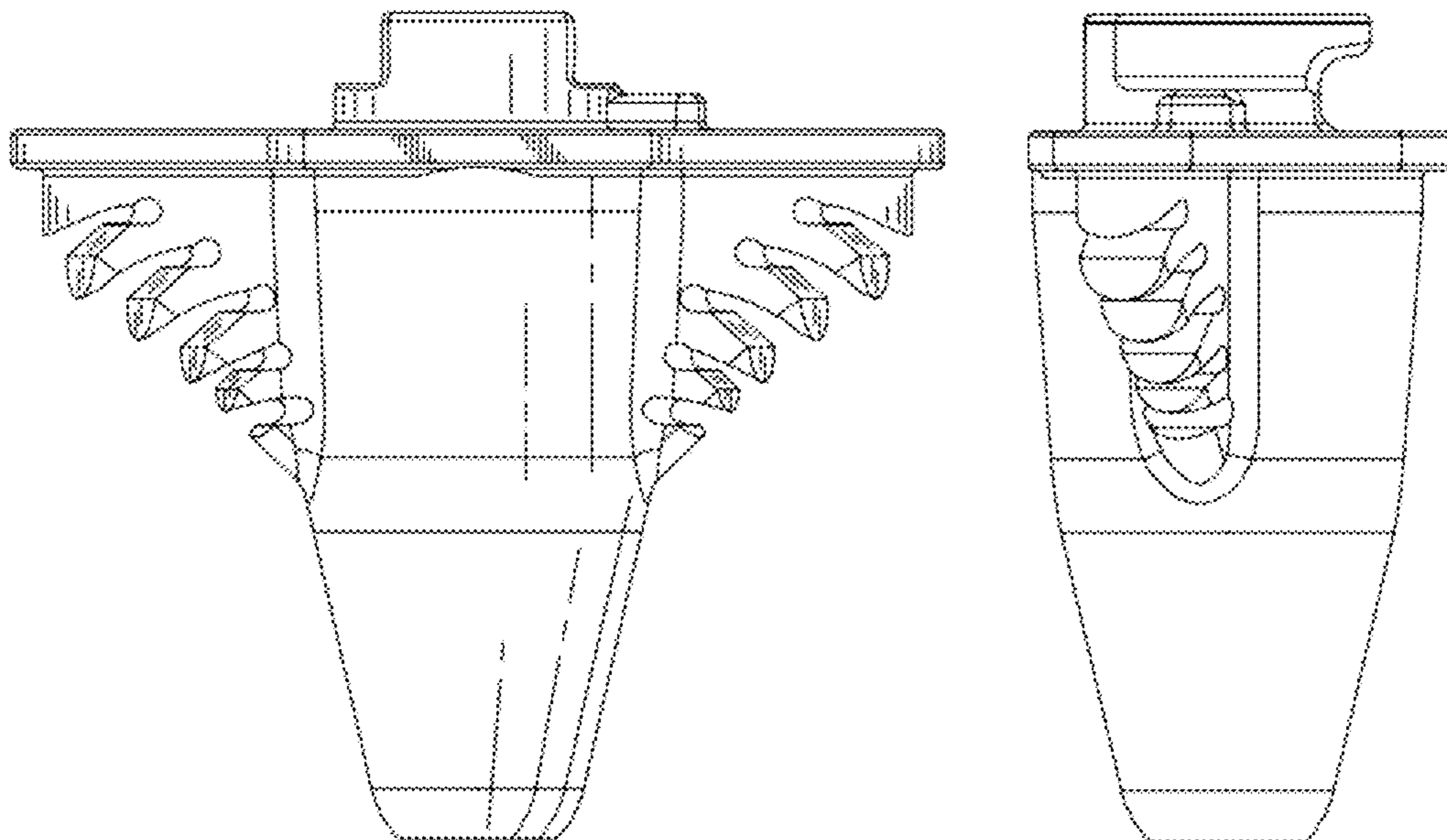
(57) **CLAIM**

We claim the ornamental design for a tibial keel punch, as shown and described.

DESCRIPTION

FIG. 1 is a front perspective view of a design of the tibial keel punch;
 FIG. 2 is a front elevation view of the tibial keel punch of FIG. 1;
 FIG. 3 is a first side elevation view of the tibial keel punch of FIG. 1;
 FIG. 4 is a second side elevation view of the tibial keel punch of FIG. 1;
 FIG. 5 is a rear elevation view of the tibial keel punch of FIG. 1;
 FIG. 6 is a top plan view of the tibial keel punch of FIG. 1; and,
 FIG. 7 is a bottom plan view of the tibial keel punch of FIG. 1.

1 Claim, 6 Drawing Sheets



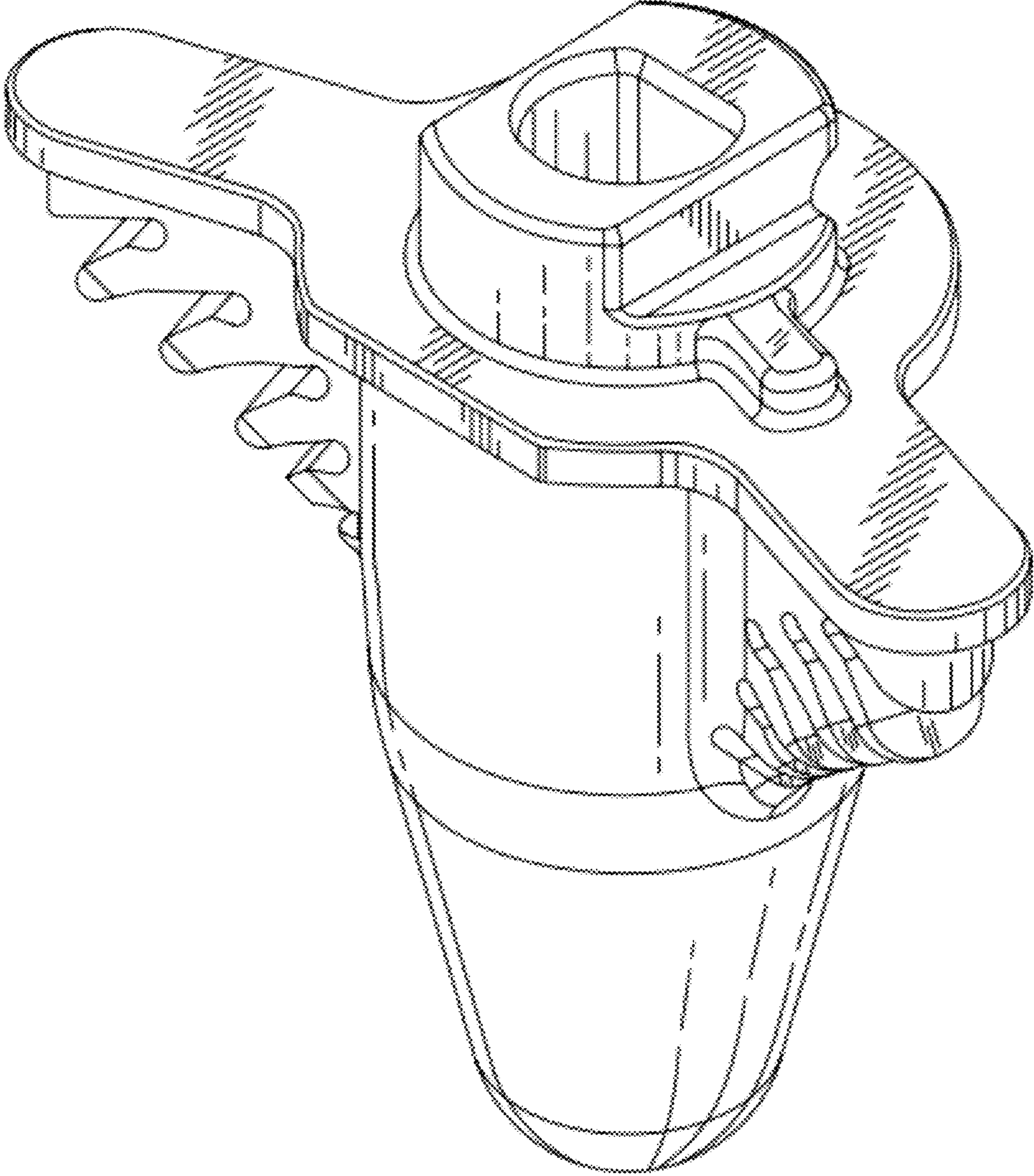


Fig. 1

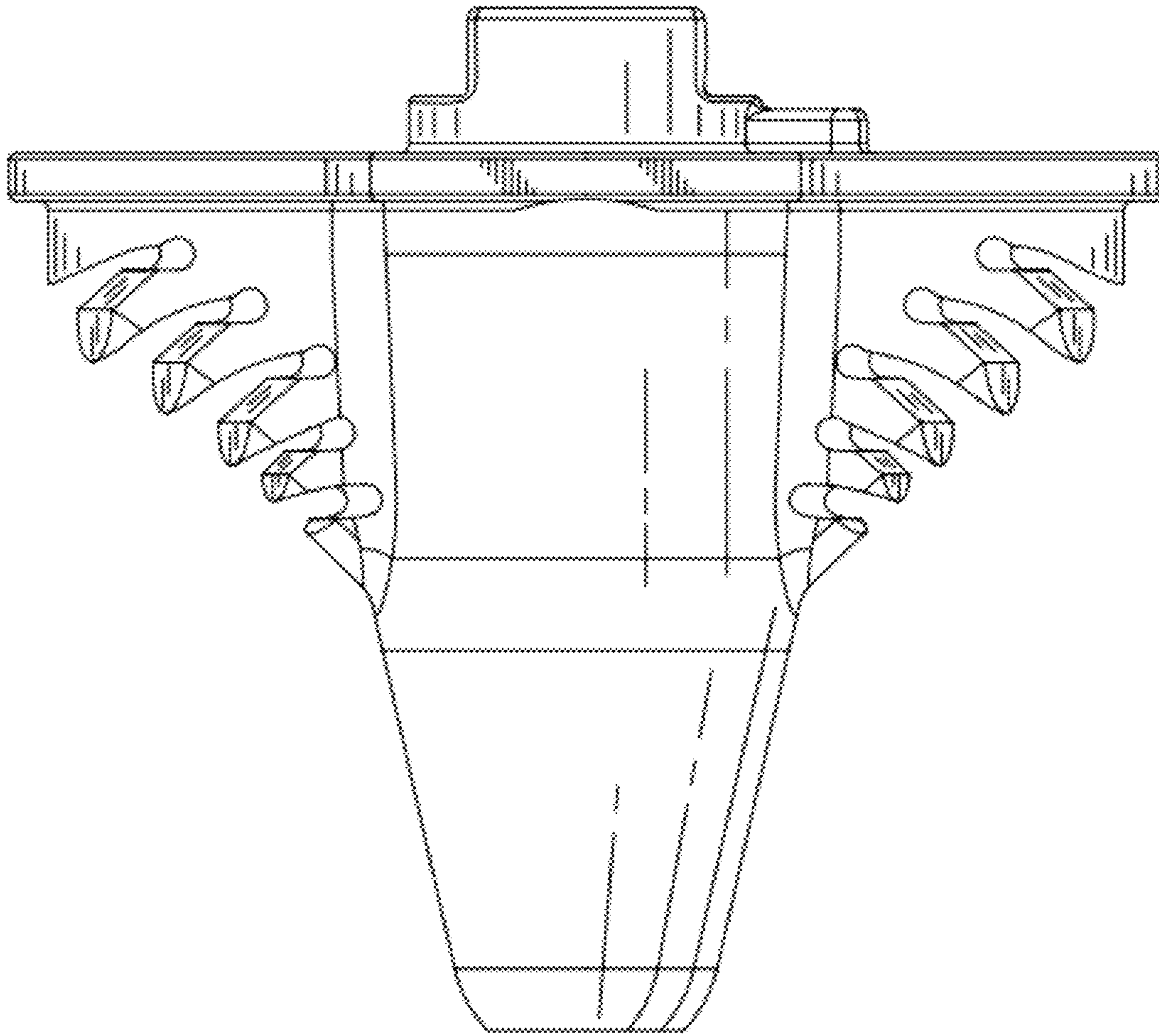


Fig. 2

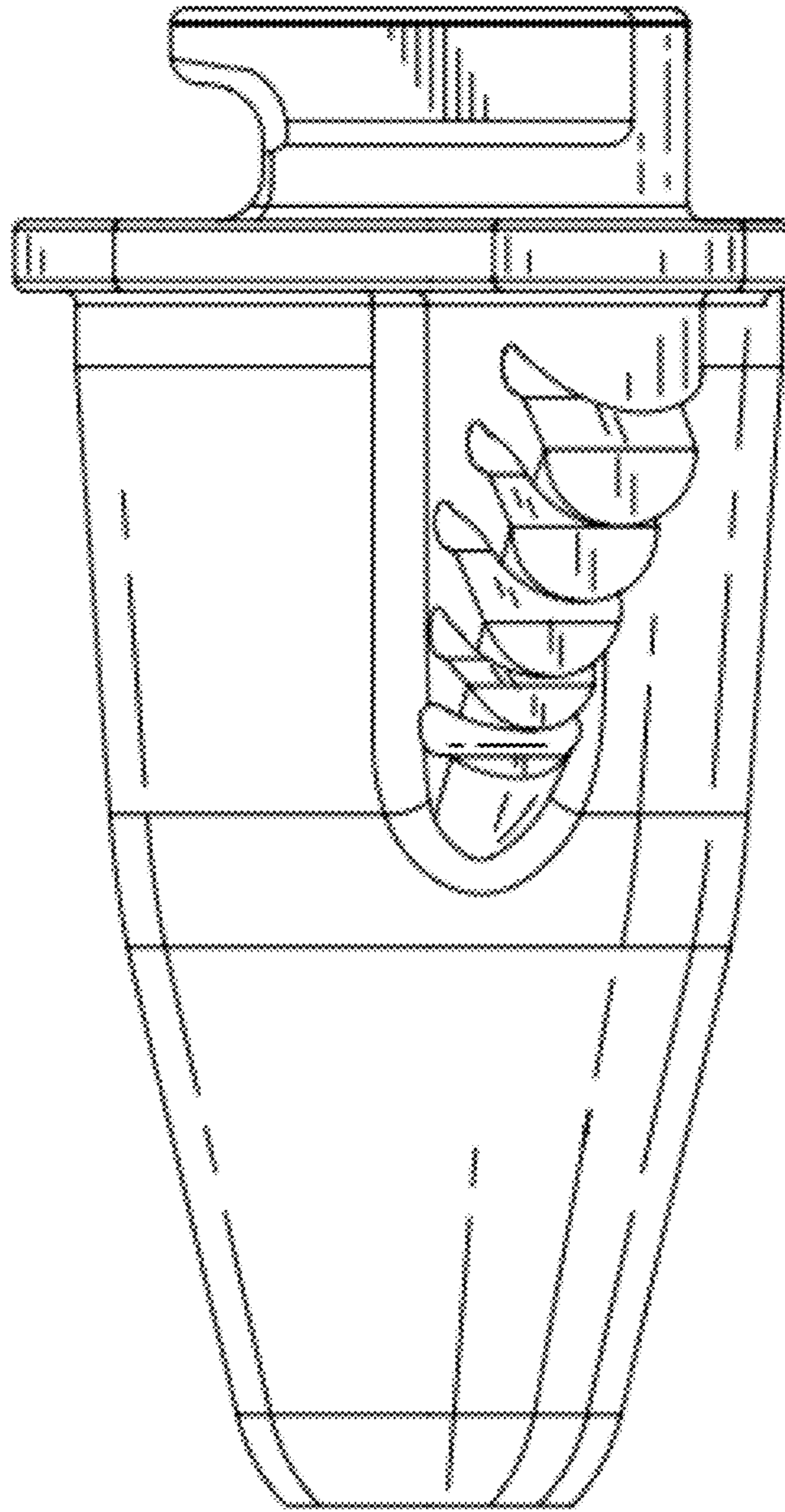


Fig. 3

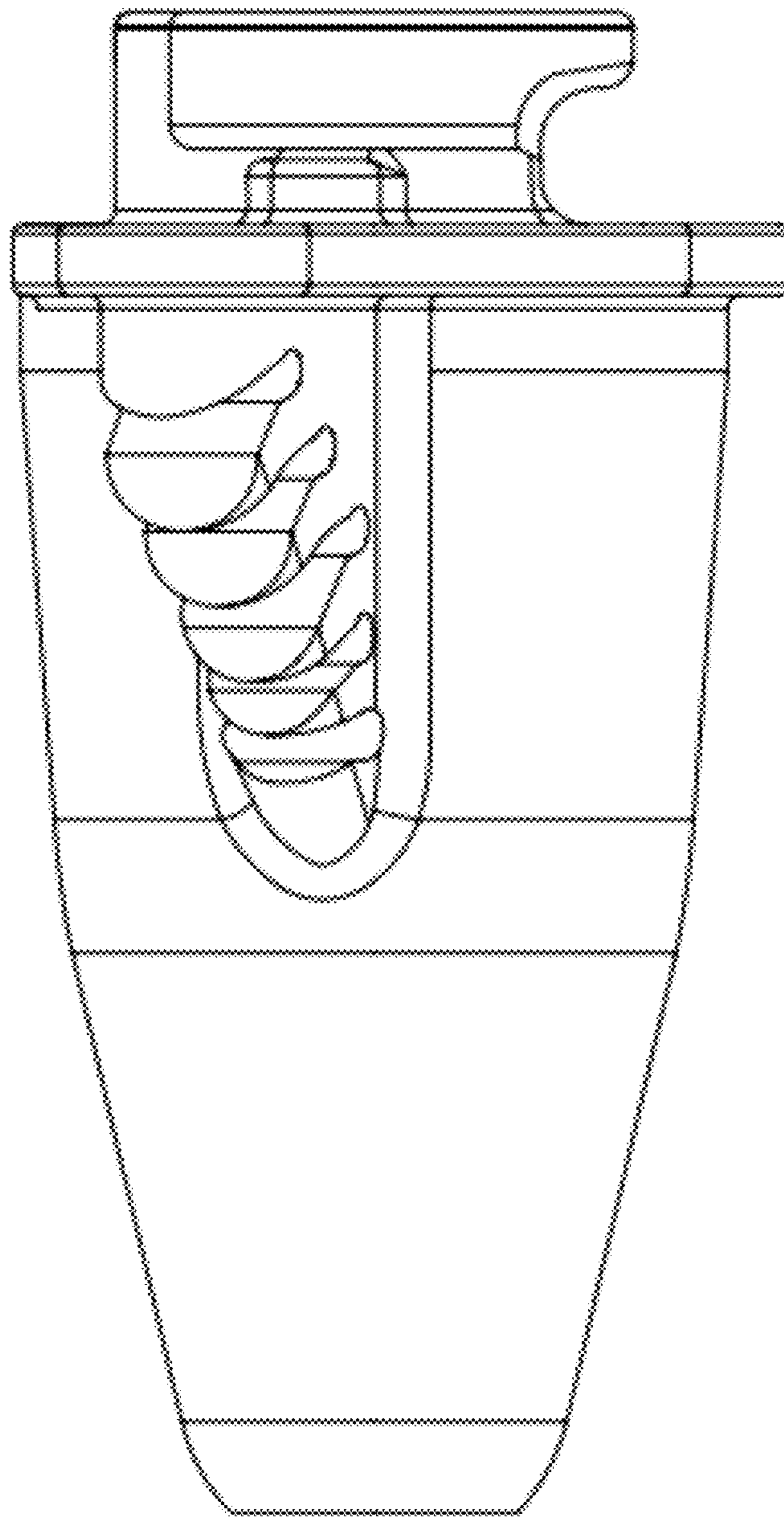


Fig. 4

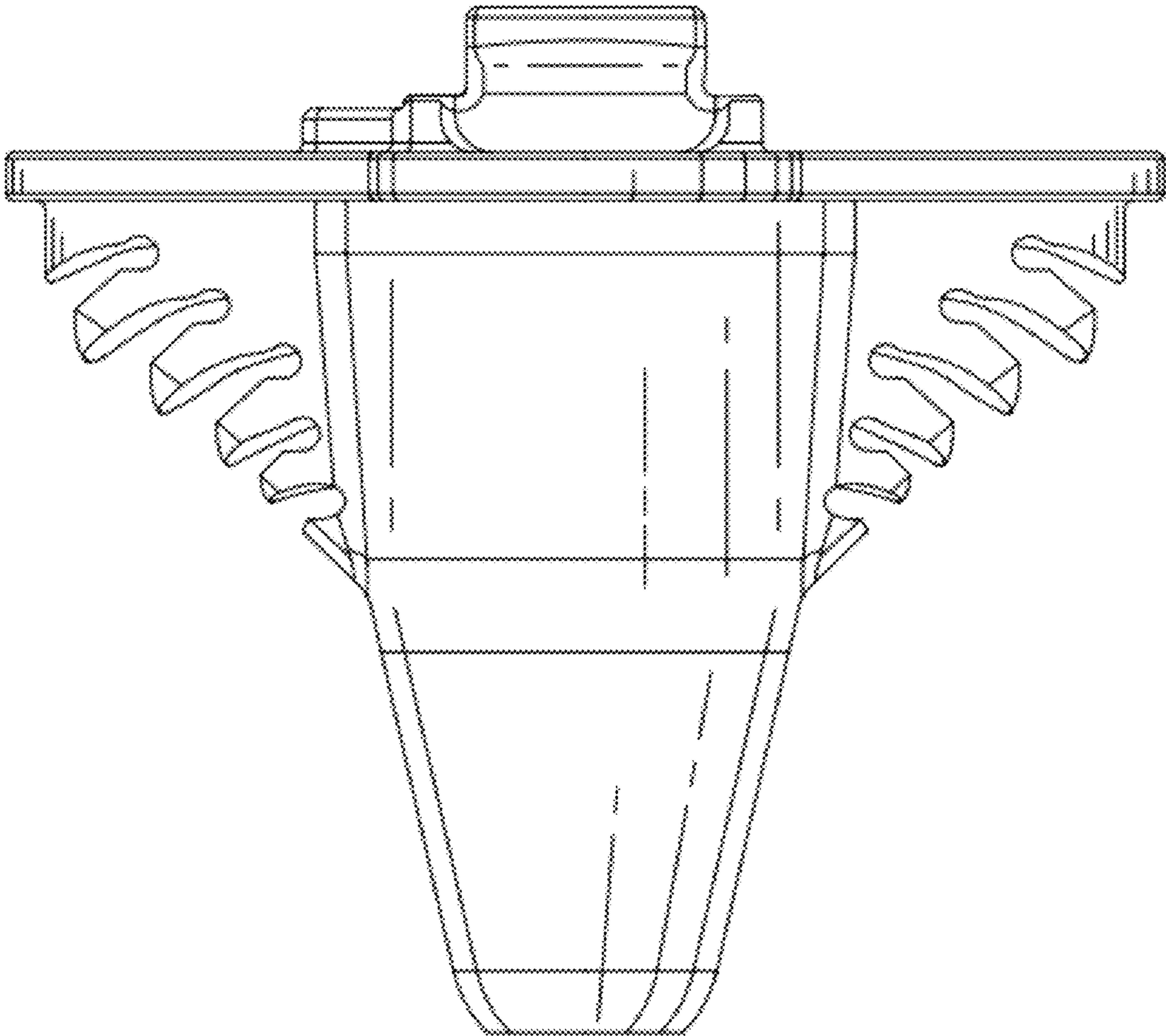


Fig. 5

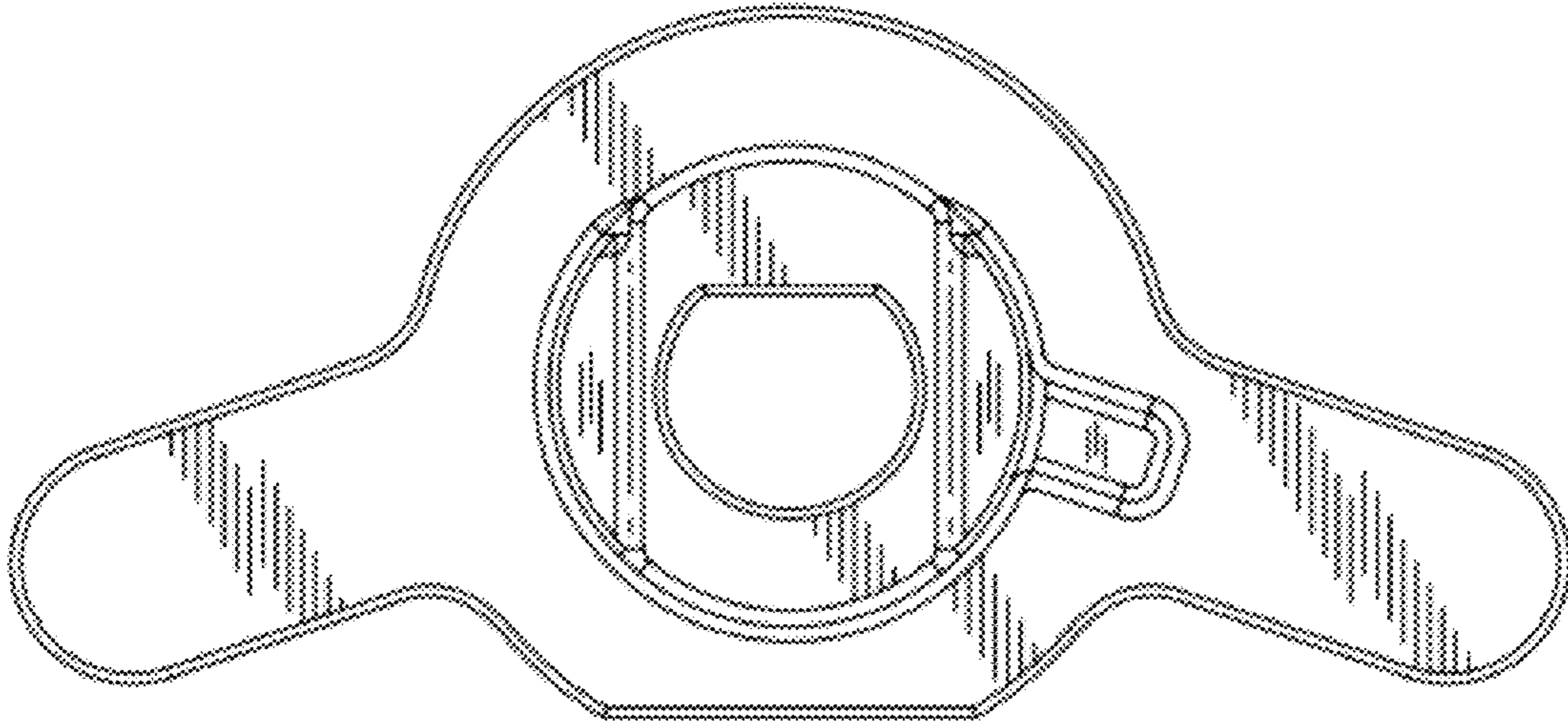


Fig. 6

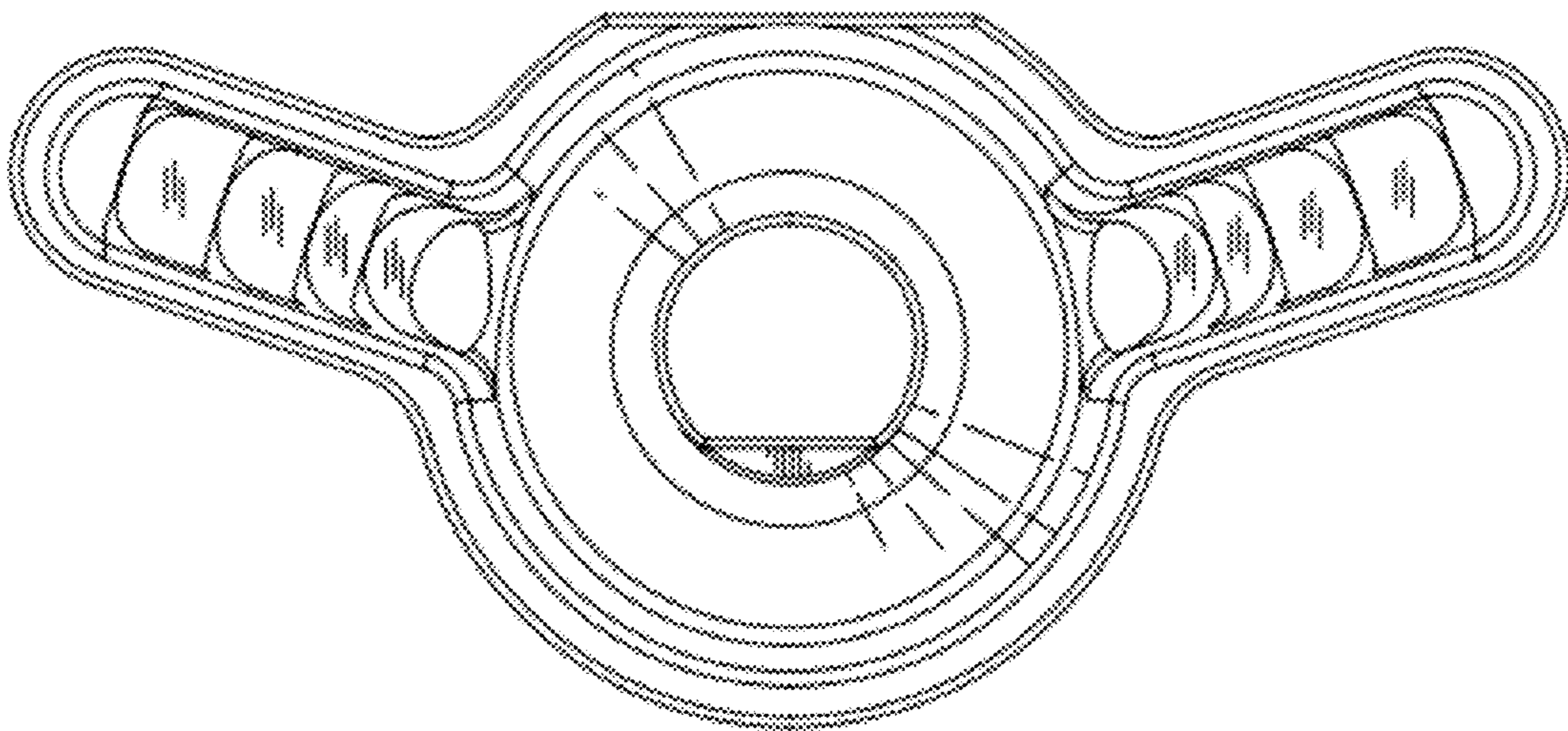


Fig. 7