



US00D666711S

(12) **United States Design Patent**  
**Baid**

(10) **Patent No.:** **US D666,711 S**

(45) **Date of Patent:** **\*\* Sep. 4, 2012**

(54) **SAFETY NEEDLE CLIP**

(75) Inventor: **Rishi Baid**, New Delhi (IN)

(73) Assignee: **Poly Medicure Limited**, Faridabad,  
Haryana (IN)

(\*\*) Term: **14 Years**

(21) Appl. No.: **29/397,435**

(22) Filed: **Jul. 15, 2011**

(30) **Foreign Application Priority Data**

Jan. 17, 2011 (IN) ..... 233946

(51) **LOC (9) Cl.** ..... **24-02**

(52) **U.S. Cl.** ..... **D24/128**

(58) **Field of Classification Search** ..... D24/112,  
D24/130, 128; 604/110, 263, 158, 162, 161,  
604/264, 164.08

See application file for complete search history.

(56) **References Cited**

**U.S. PATENT DOCUMENTS**

6,749,588	B1 *	6/2004	Howell et al. ....	604/164.08
7,008,402	B2 *	3/2006	Ferguson et al. ....	604/110
7,291,130	B2 *	11/2007	McGurk ..... ..	604/164.08
D597,666	S *	8/2009	George et al. ....	D24/128
7,632,243	B2 *	12/2009	Bialecki et al. ....	604/110
7,736,332	B2 *	6/2010	Carlyon et al. ....	604/110

7,988,664	B2 *	8/2011	Fiser et al. ....	604/110
8,048,036	B2 *	11/2011	Woehr et al. ....	604/218
D655,407	S *	3/2012	Adams ..... ..	D24/128
2001/0039401	A1 *	11/2001	Ferguson et al. ....	604/198
2002/0151850	A1 *	10/2002	Ferguson et al. ....	604/192
2003/0144627	A1 *	7/2003	Woehr et al. ....	604/110
2004/0167477	A1 *	8/2004	Wilkinson et al. ....	604/263
2004/0193120	A1 *	9/2004	Ferguson et al. ....	604/263
2005/0027263	A1 *	2/2005	Woehr et al. ....	604/263
2006/0264828	A1 *	11/2006	Woehr et al. ....	604/110
2007/0161950	A1 *	7/2007	Carlyon et al. ....	604/110
2011/0288482	A1 *	11/2011	Farrell et al. ....	604/164.04

\* cited by examiner

*Primary Examiner* — Eric Goodman

(74) *Attorney, Agent, or Firm* — IP Attorneys Group, LLC

(57) **CLAIM**

The ornamental design for a safety needle clip, as shown and described.

**DESCRIPTION**

FIG. 1 is a perspective view of a safety needle clip in accordance with the present invention.

FIG. 2 is a front view of a safety needle clip thereof;

FIG. 3 is a left side view of a safety needle clip thereof;

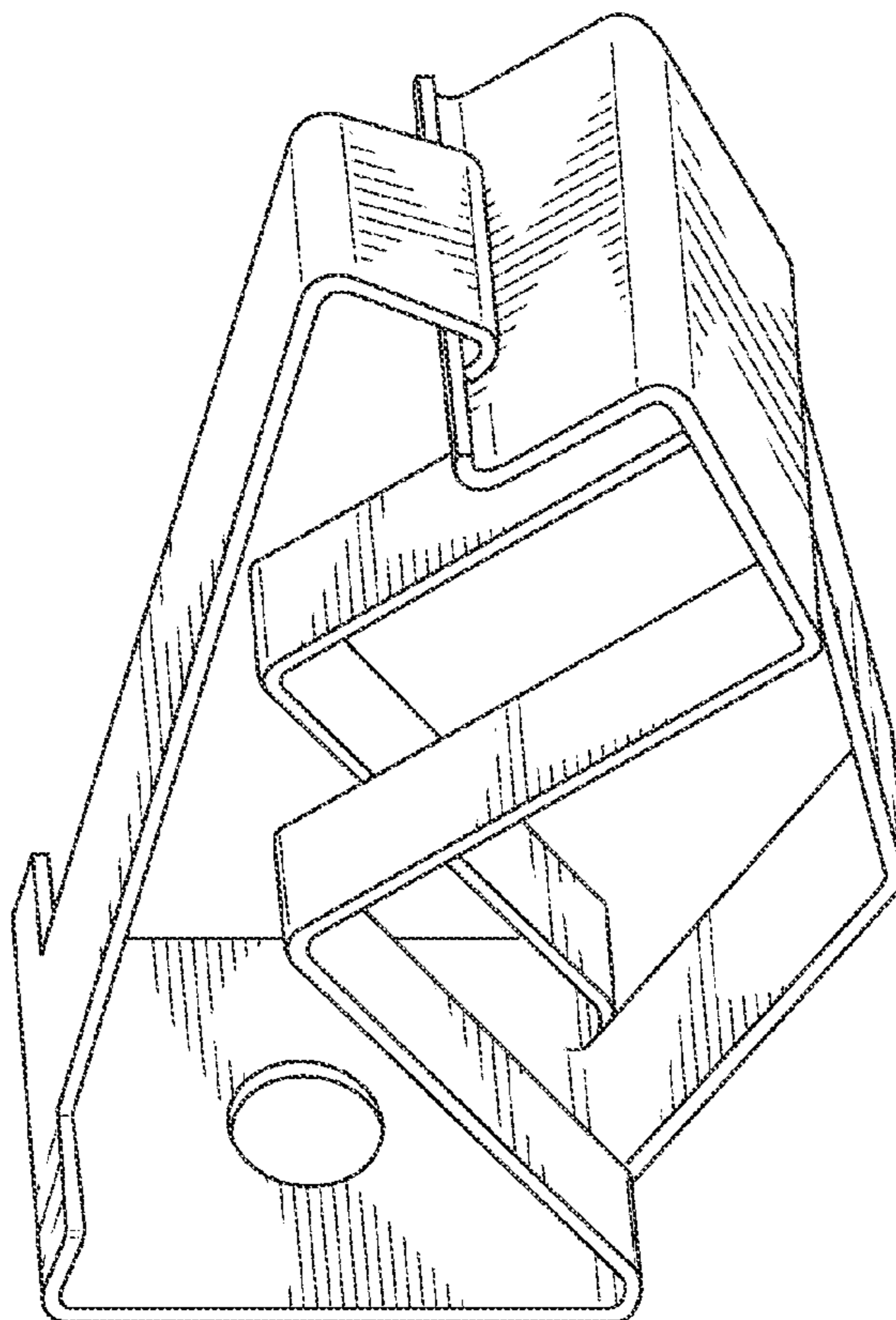
FIG. 4 is a right side view of a safety needle clip thereof;

FIG. 5 is a top view of a safety needle clip thereof;

FIG. 6 is a bottom view of a safety needle clip thereof; and,

FIG. 7 is a back view of a safety needle clip thereof.

**1 Claim, 6 Drawing Sheets**



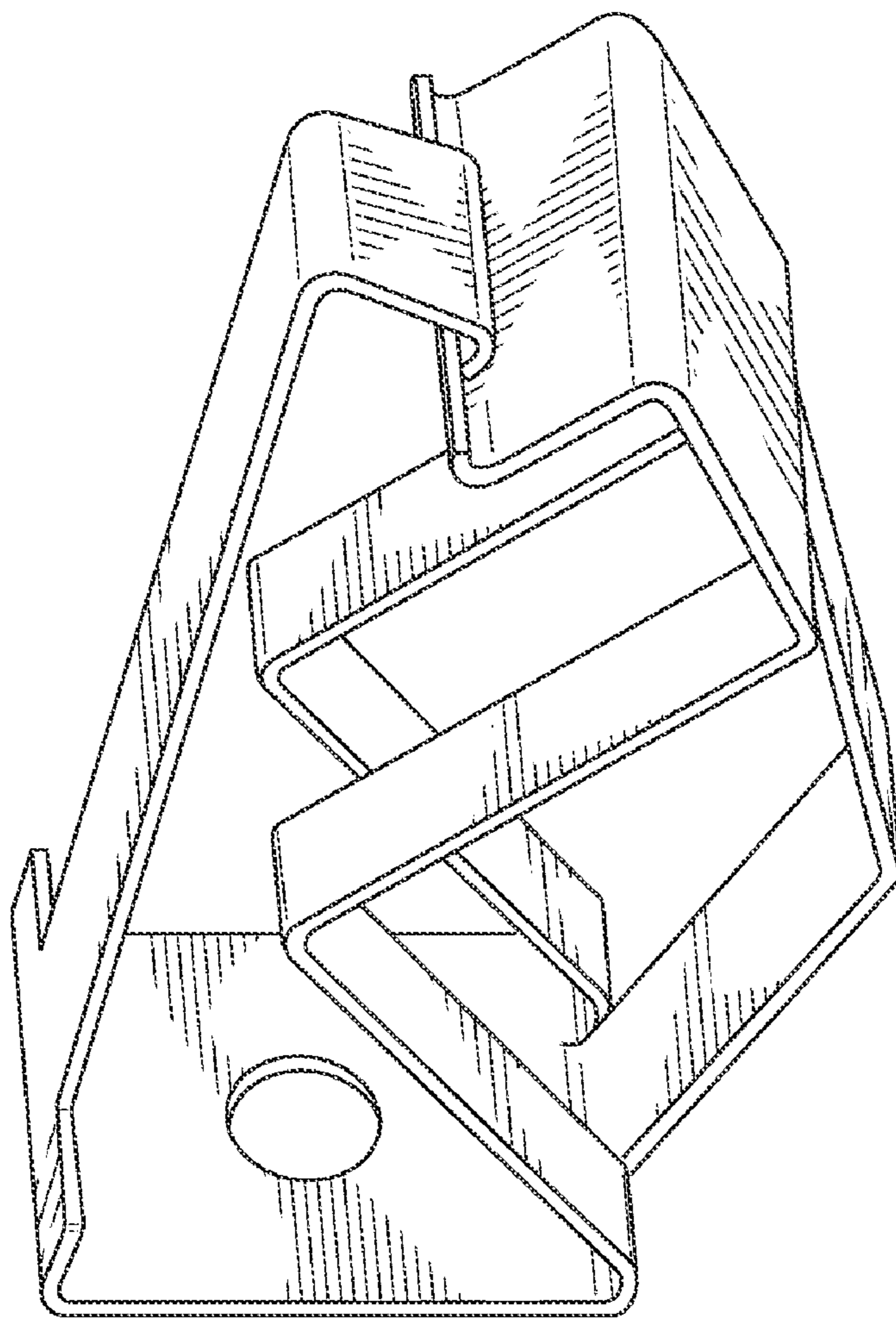
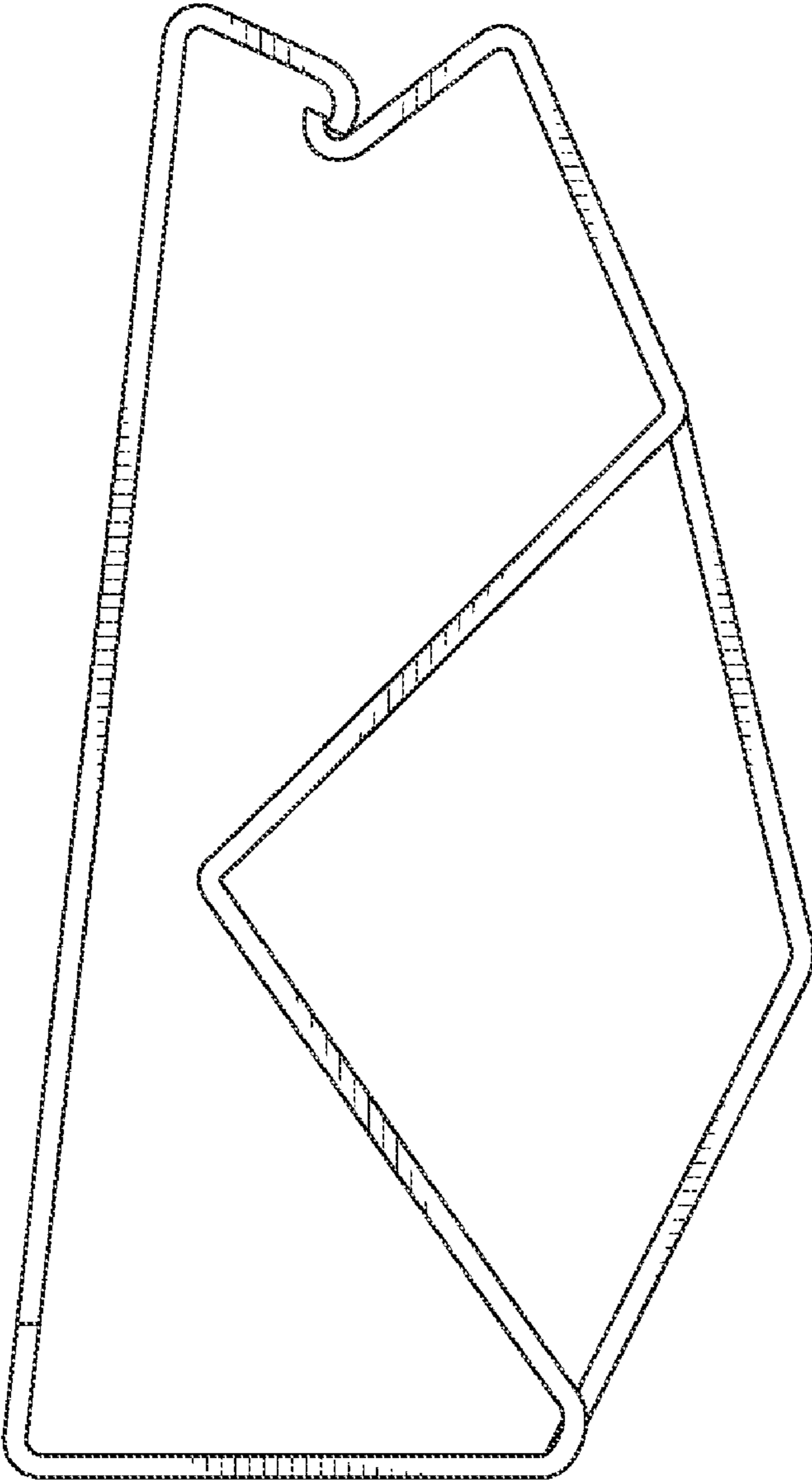


FIG. 1



**FIG. 2**

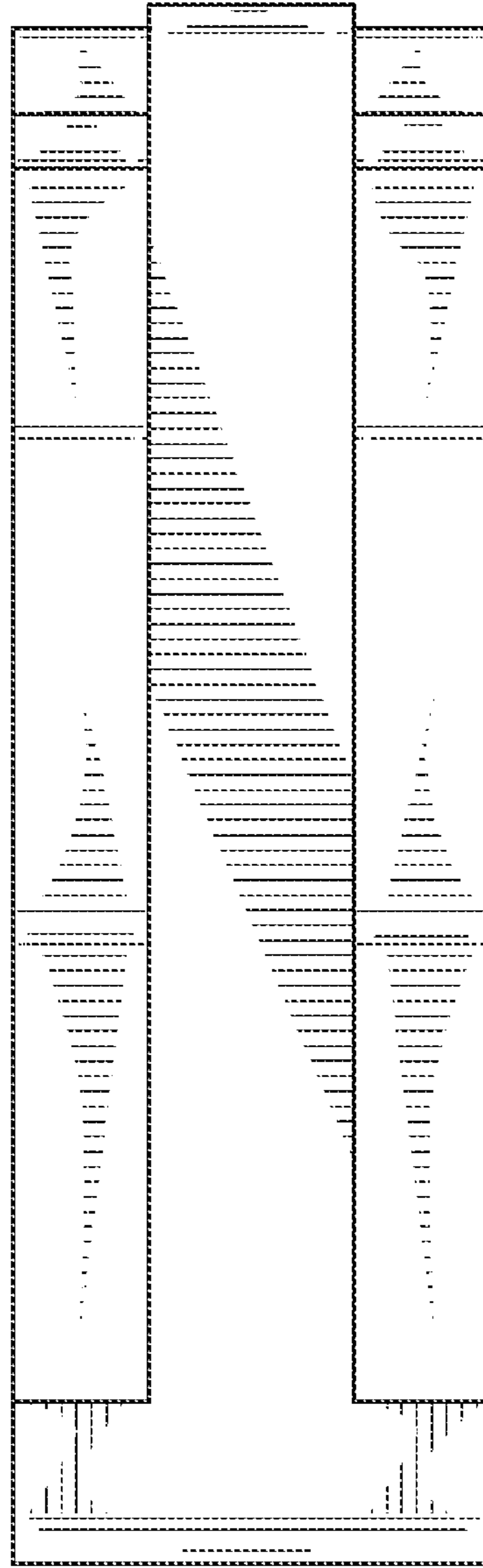
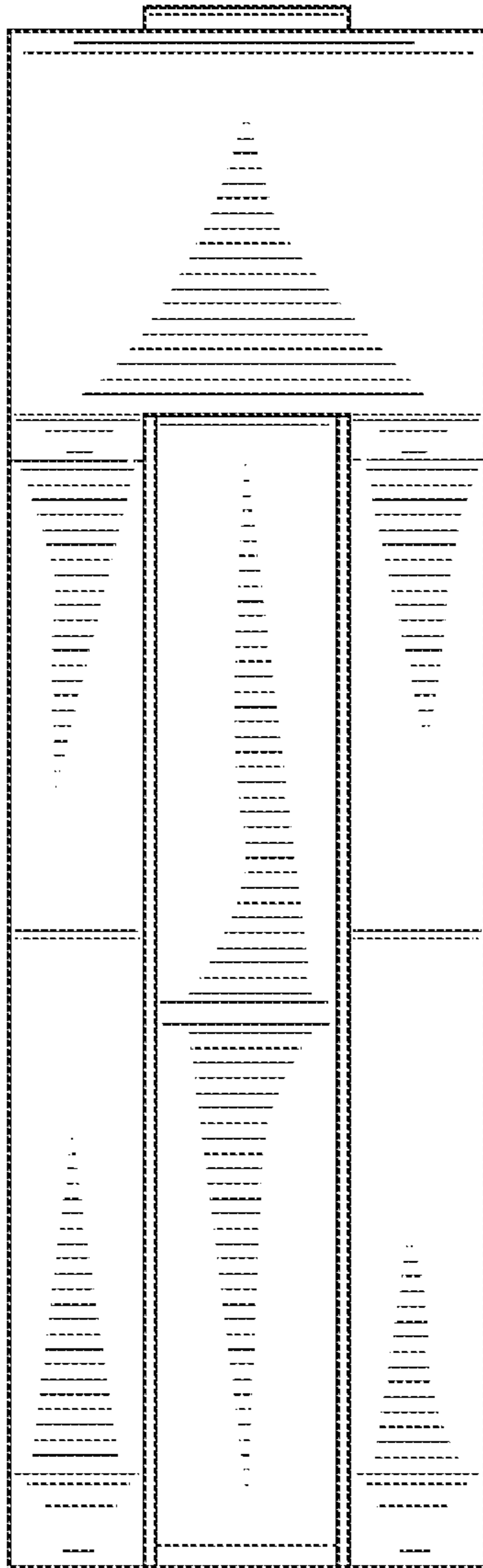
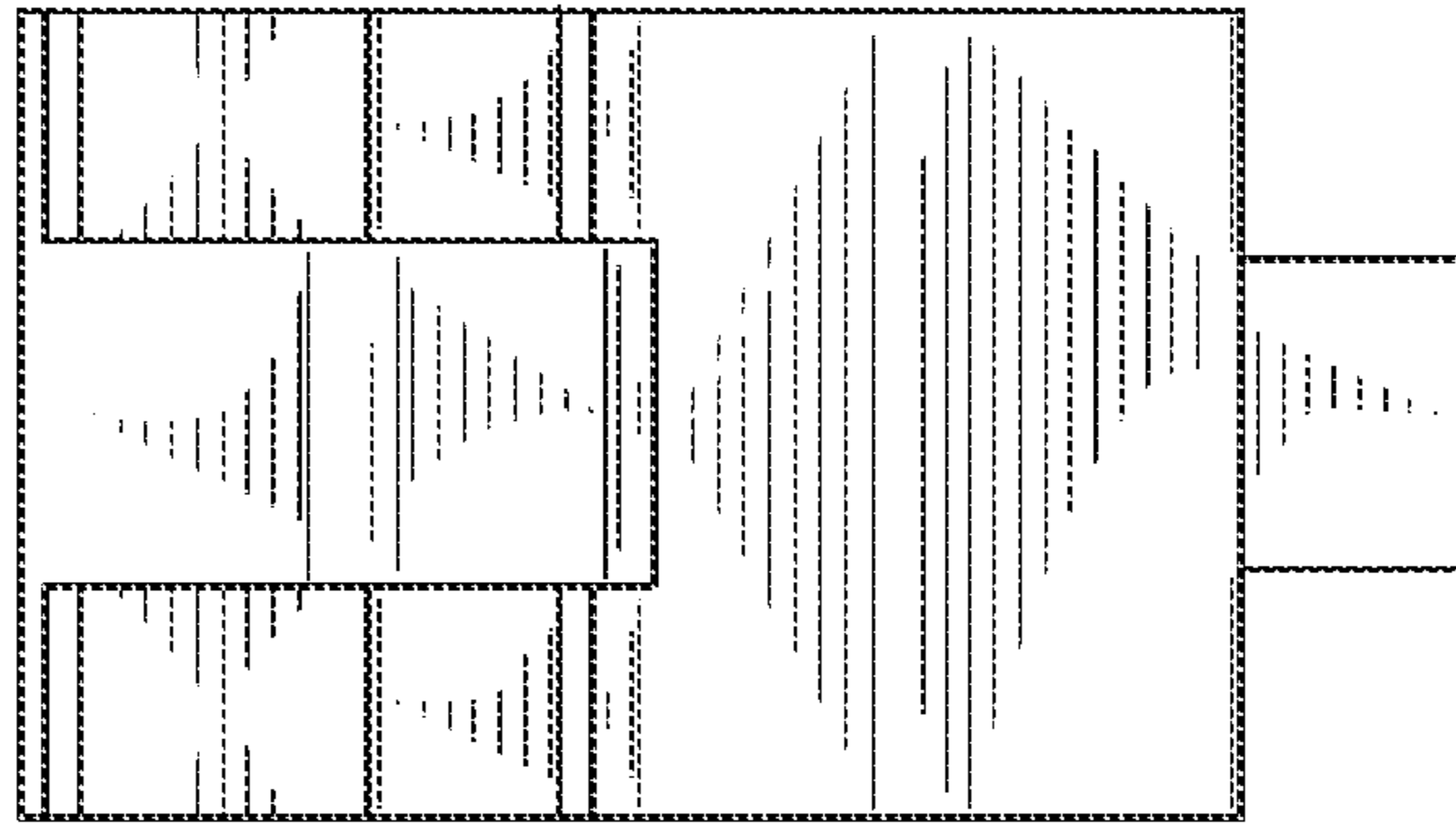


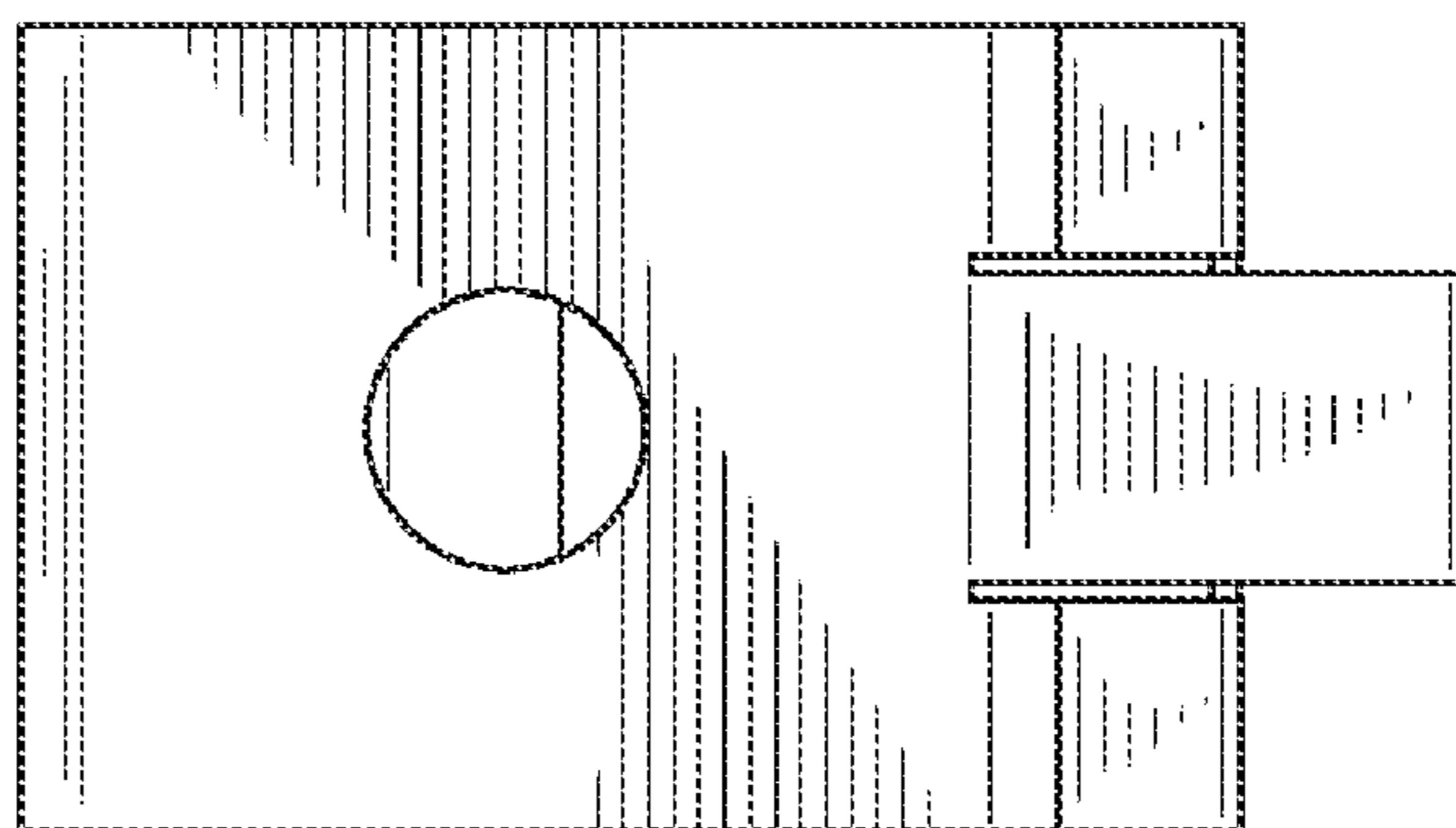
FIG. 3



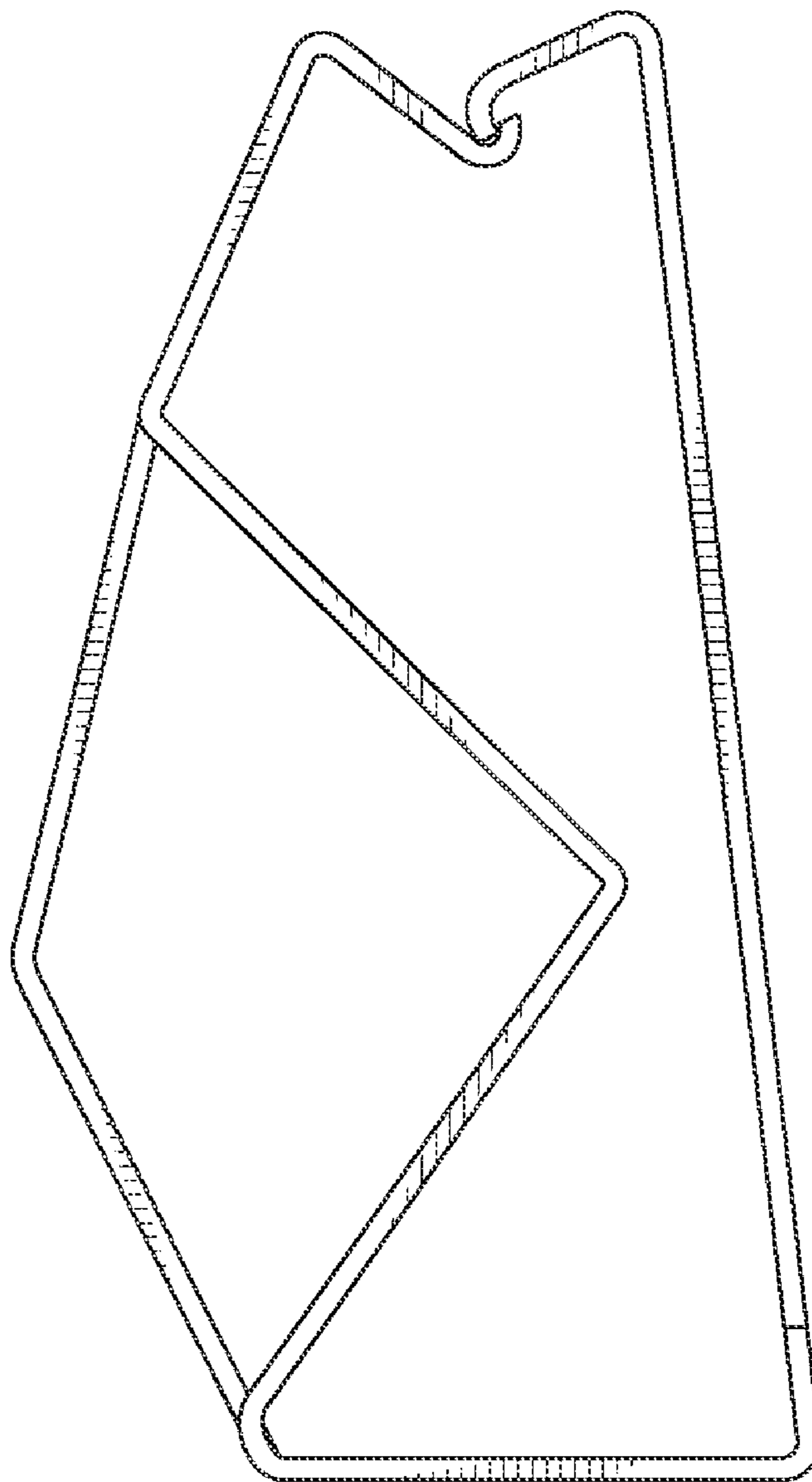
**FIG. 4**



**FIG. 5**



**FIG. 6**



**FIG. 7**