



US00D666710S

(12) **United States Design Patent**
Godfrey et al.

(10) **Patent No.:** **US D666,710 S**
(45) **Date of Patent:** **** Sep. 4, 2012**

(54) **STOWABLE MASK**

(75) Inventors: **Daniel H. Godfrey**, Tigard, OR (US);
Maki Myoga, Tigard, OR (US)

(73) Assignee: **Caldera International, Inc.**, Beaverton,
OR (US)

(**) Term: **14 Years**

(21) Appl. No.: **29/353,007**

(22) Filed: **Dec. 30, 2009**

(51) **LOC (9) Cl.** **29-02**

(52) **U.S. Cl.** **D24/110**

(58) **Field of Classification Search** D24/110,
D24/110.1; 128/205.29, 205.25, 206.12,
128/206.13, 206.24, 206.19, 206.25, 206.28;
D2/500, 861; 2/9, 206, 207; D29/108
See application file for complete search history.

(56) **References Cited**

U.S. PATENT DOCUMENTS

2,070,754	A *	2/1937	Schwartz	128/206.12
4,984,302	A *	1/1991	Lincoln	2/206
5,035,006	A *	7/1991	Hetz et al.	2/209.11
D339,676	S *	9/1993	Geving	D2/500
D420,769	S *	2/2000	White	D29/108
D531,385	S *	11/2006	Lund	D2/500
7,152,252	B2 *	12/2006	Gellis et al.	2/206
7,228,858	B2 *	6/2007	Baker	128/201.22
D636,556	S *	4/2011	Godfrey et al.	D2/600

FOREIGN PATENT DOCUMENTS

JP 2009189676 A * 8/2009

* cited by examiner

Primary Examiner — Rashida Johnson

(74) *Attorney, Agent, or Firm* — Harness Dickey & Pierce,
PLC

(57) **CLAIM**

The ornamental design for a stowable mask, as shown and described.

DESCRIPTION

FIG. 1 is a front, left isometric view of the stowable mask being worn by a user; the mask shown unstowed from its pocket.

FIG. 2 is an isometric view of the stowable mask, shown laid flat;

FIG. 3 is a front elevational view, showing the top portion of the mask folded back;

FIG. 4 is a top plan view thereof;

FIG. 5 is a right side elevational view thereof;

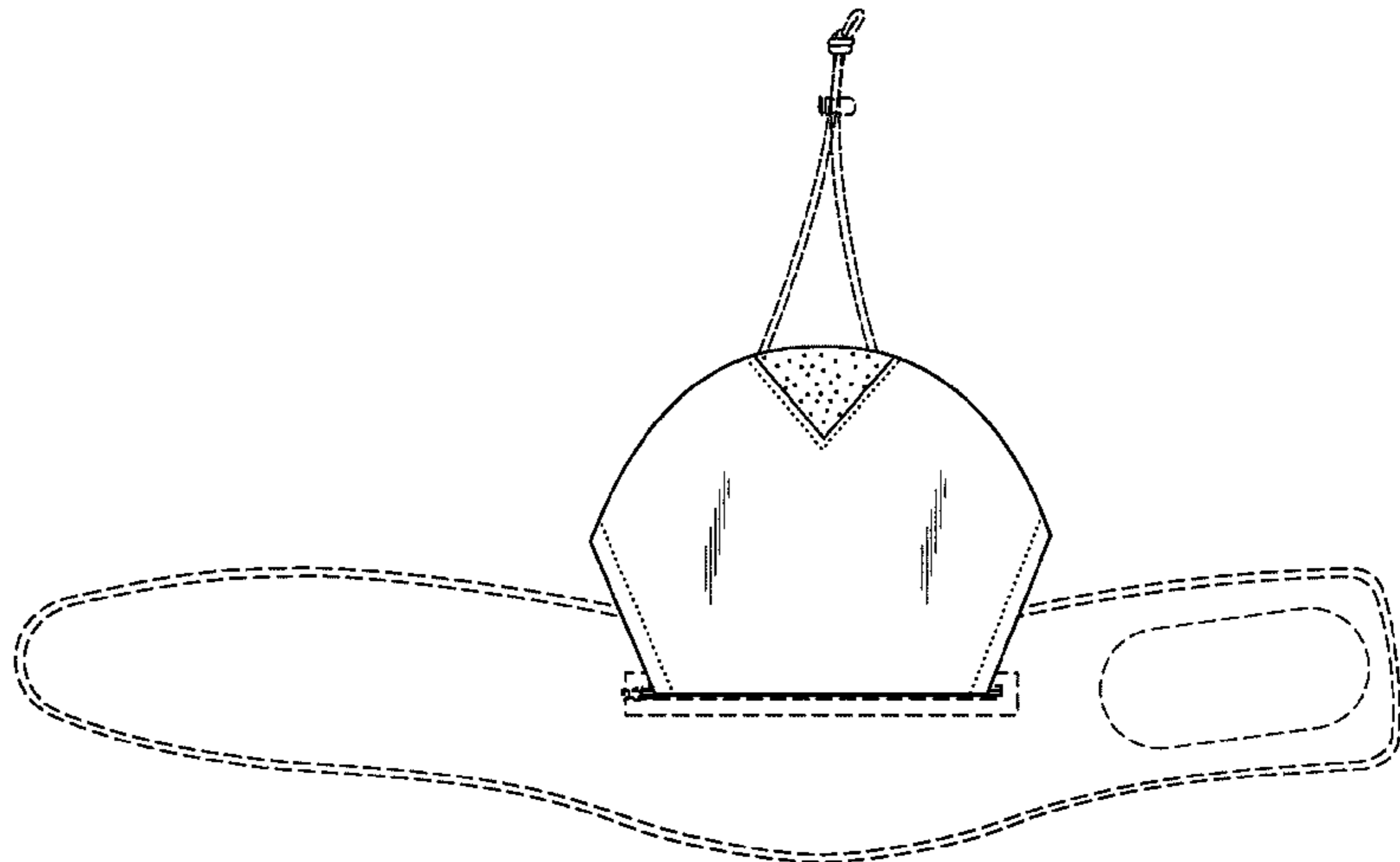
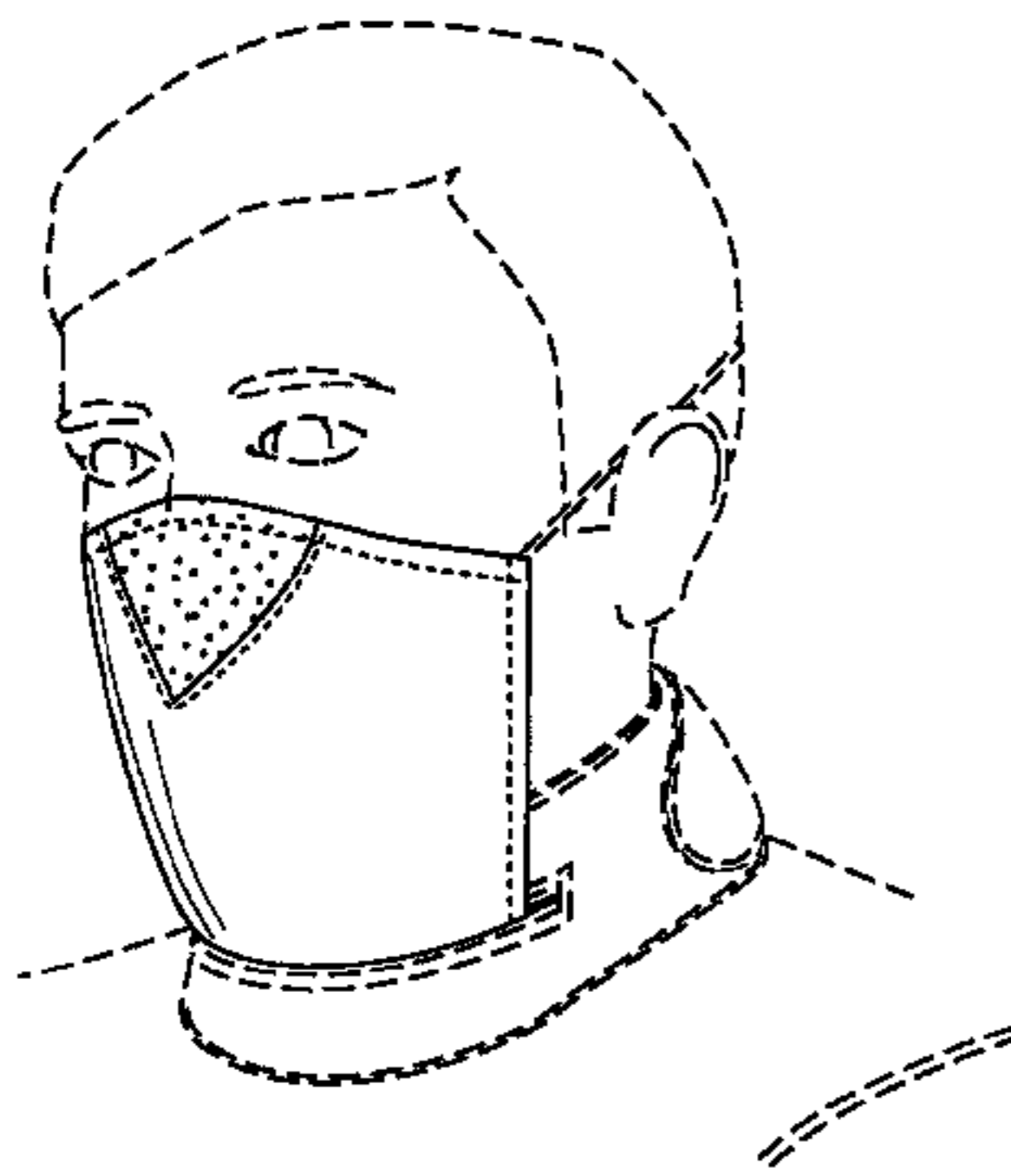
FIG. 6 is a left side elevational view thereof;

FIG. 7 is a bottom plan view thereof; and,

FIG. 8 is a rear elevational view thereof.

The broken lines in FIG. 1, showing portions of the human form, illustrate the design in use, and form no part of the claimed design. The broken lines, on the surface of the mask, in FIGS. 1-3 and 8, represent stitching. The remaining broken lines in FIGS. 1-8, showing the neckband, represent the portions of the design, which form no part of the claim.

1 Claim, 3 Drawing Sheets



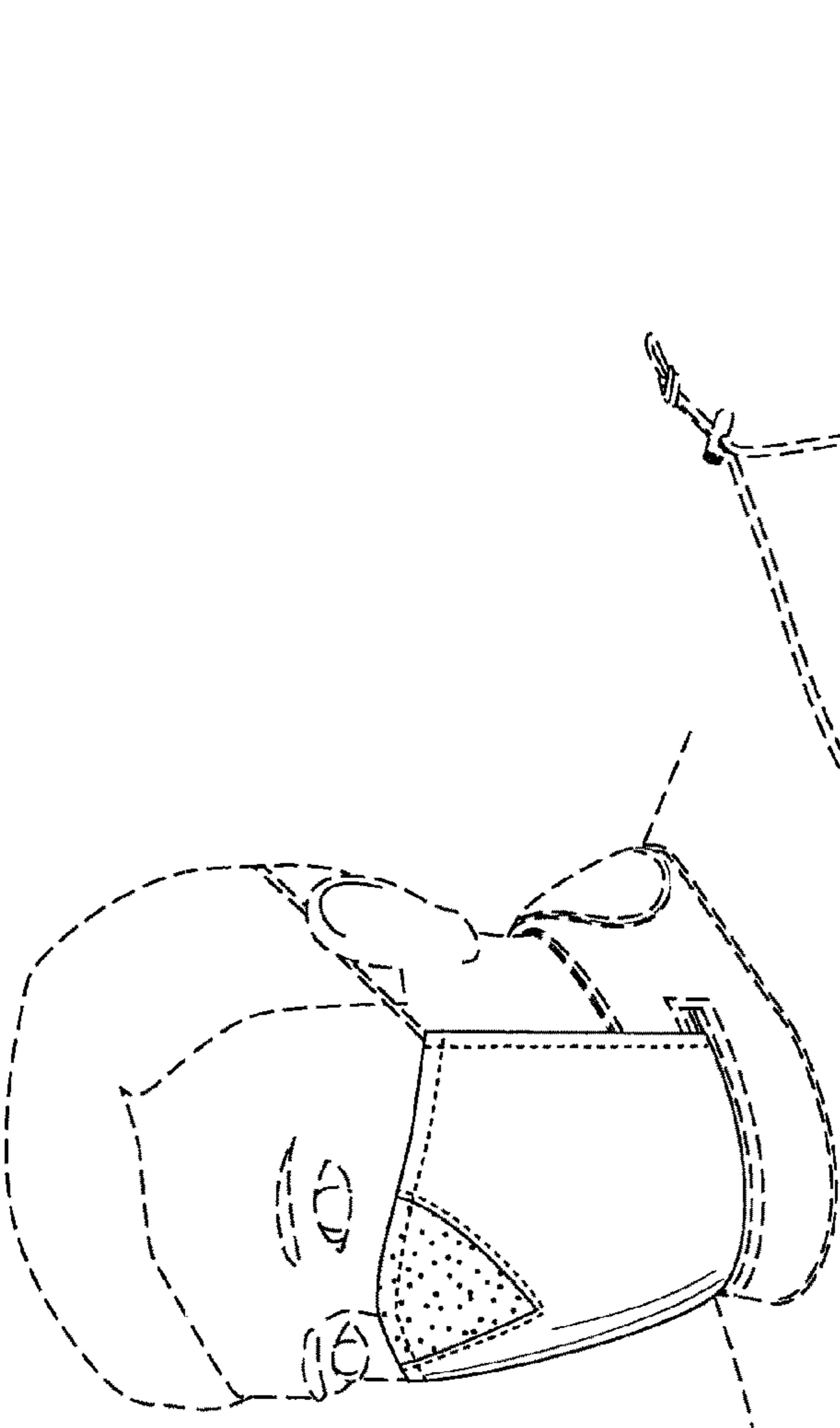


FIG. 1

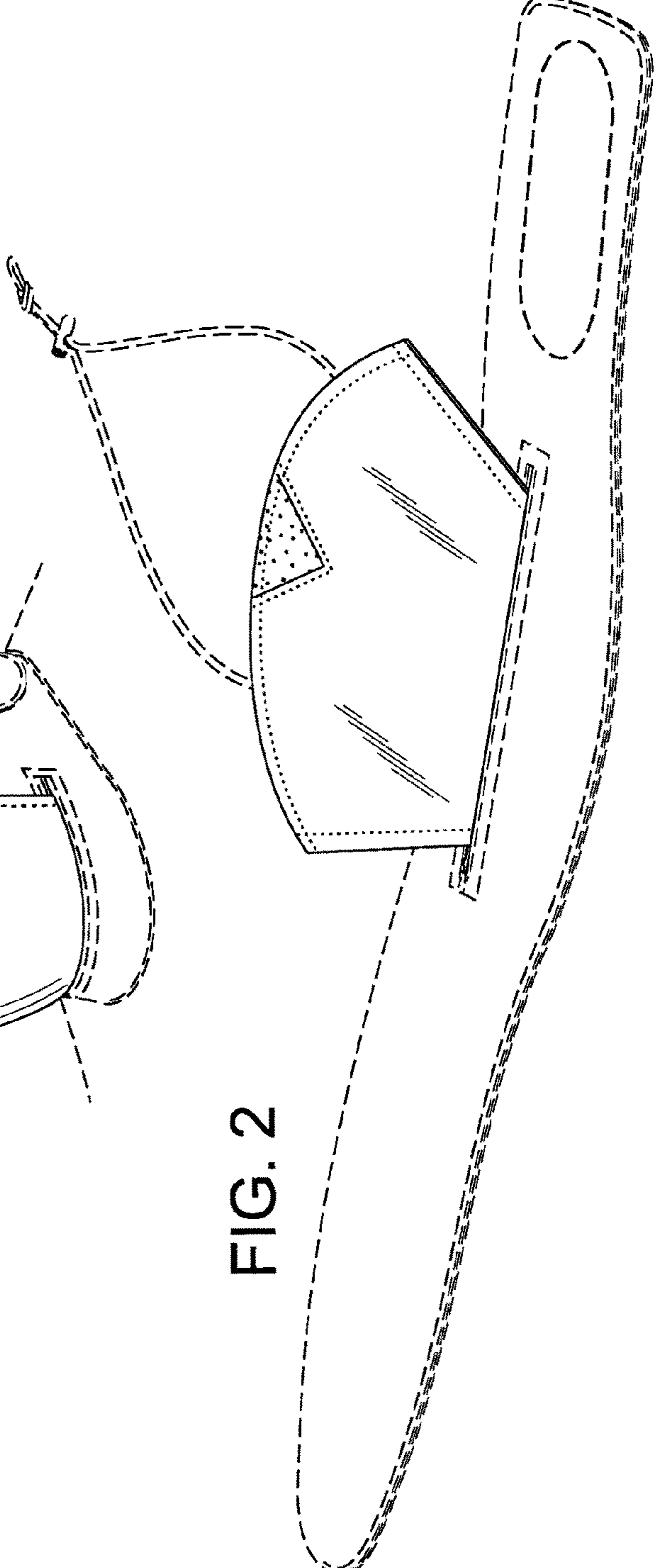


FIG. 2



FIG. 4

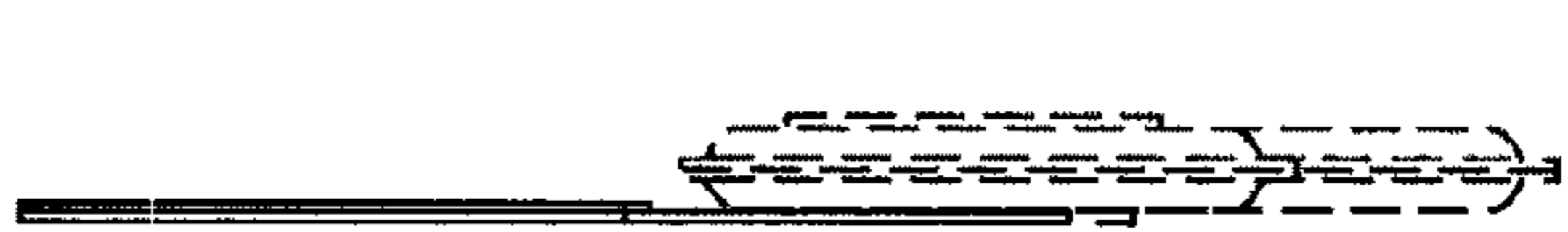


FIG. 5

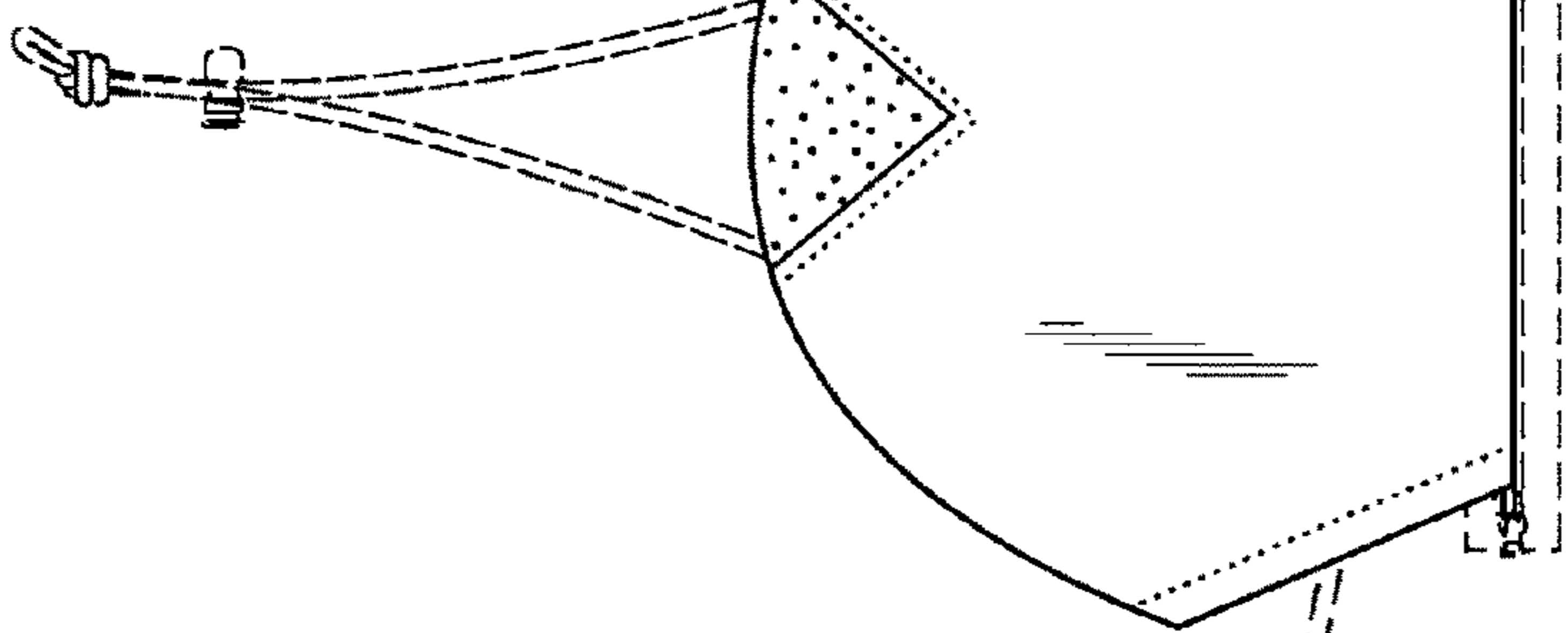


FIG. 3

FIG. 6

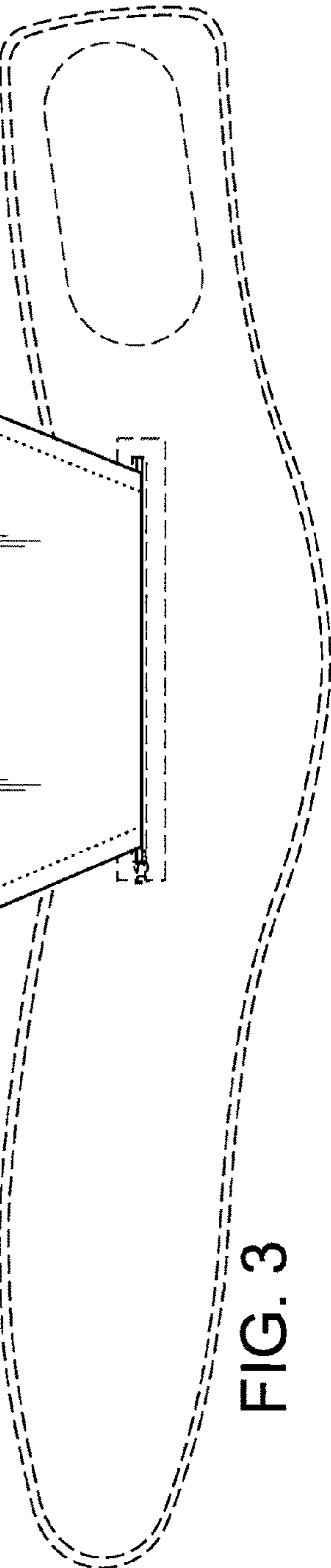


FIG. 7

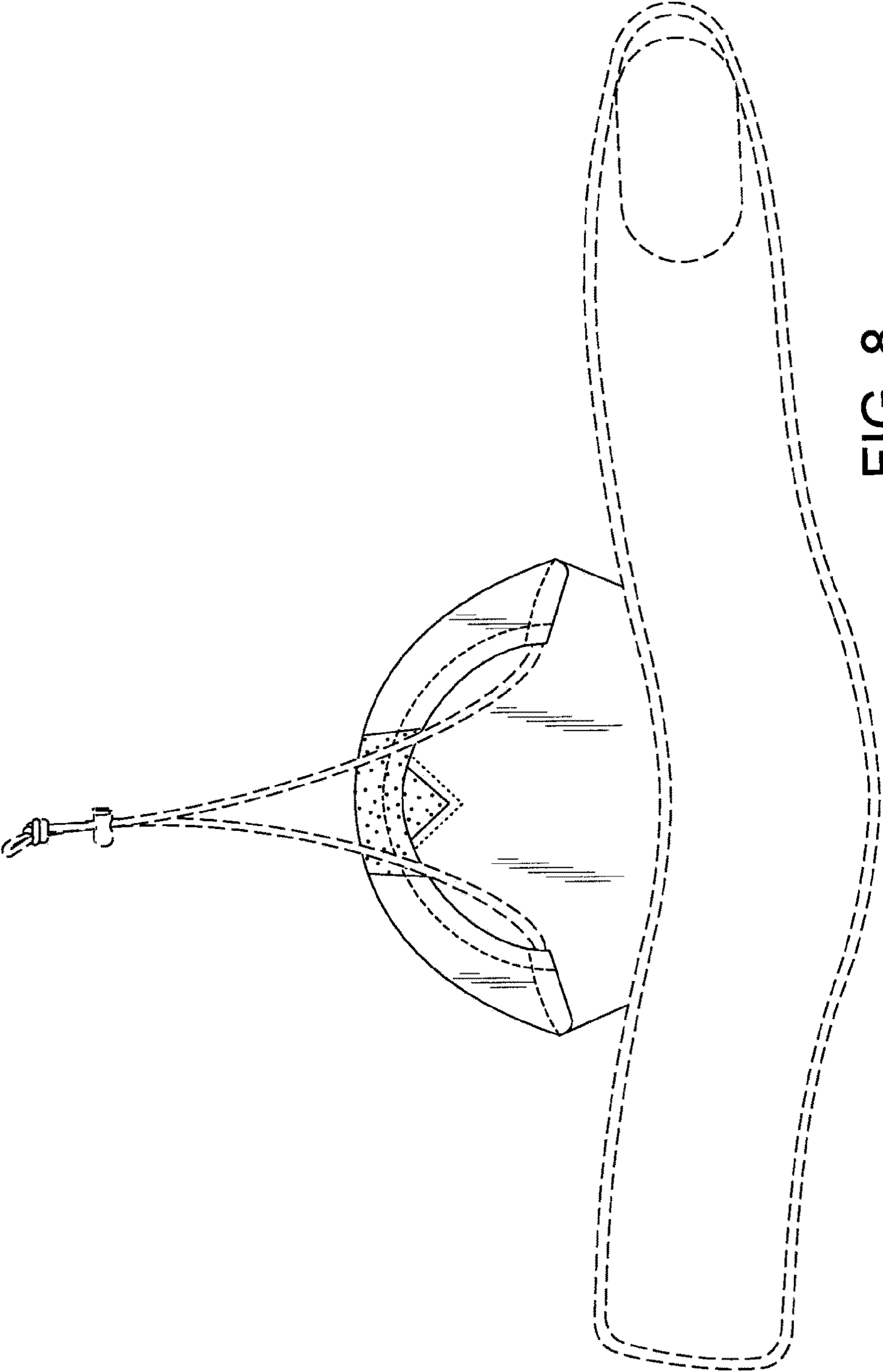


FIG. 8