

US00D666708S

(12) **United States Design Patent**
Dobert et al.

(10) **Patent No.:** **US D666,708 S**

(45) **Date of Patent:** **** Sep. 4, 2012**

(54) **CURVED INFRARED BURNER**

(75) Inventors: **Marvin Dobert**, Bolton Landing, NY (US); **Mark Groenhuyzen**, Huntington Beach, CA (US); **Jack Lovley**, Lake Forest, CA (US)

(73) Assignee: **Bravo Sports**, Santa Fe Springs, CA (US)

(**) Term: **14 Years**

(21) Appl. No.: **29/400,745**

(22) Filed: **Aug. 31, 2011**

(51) **LOC (9) Cl.** **23-03**

(52) **U.S. Cl.** **D23/415**

(58) **Field of Classification Search** D23/403-406, D23/415-419, 421, 422, 499, 343-345, 347, D23/349, 386; D7/402, 407, 408, 416, 417; 40/798; 44/520, 530; 52/36.3; 126/25 B, 126/298, 500, 512, 540, 543, 544, 548, 555; 160/DIG. 9; 431/36, 208, 263, 273, 329

See application file for complete search history.

(56) **References Cited**

U.S. PATENT DOCUMENTS

| | | | | |
|---------|-----|---------|---------------|---------|
| 81,484 | A * | 8/1868 | Fahrney | 126/332 |
| 90,910 | A * | 6/1869 | Stuart et al. | 126/501 |
| 99,579 | A * | 2/1870 | Martino | 126/544 |
| D19,641 | S * | 2/1890 | Munn | D23/416 |
| 510,236 | A * | 12/1893 | Boeck | 126/97 |
| D27,177 | S * | 6/1897 | Johnston | D23/418 |
| D28,269 | S * | 2/1898 | Ruppel | D23/415 |

| | | | | |
|-----------|------|---------|------------|---------|
| 859,299 | A * | 7/1907 | Kahn | 126/58 |
| 1,941,678 | A * | 1/1934 | Gamard | 48/103 |
| 6,309,209 | B1 * | 10/2001 | Cacace | 431/346 |
| D637,278 | S * | 5/2011 | Lau et al. | D23/403 |

* cited by examiner

Primary Examiner — Karen S Acker

(74) *Attorney, Agent, or Firm* — Knobbe, Martens, Olson & Bear, LLP

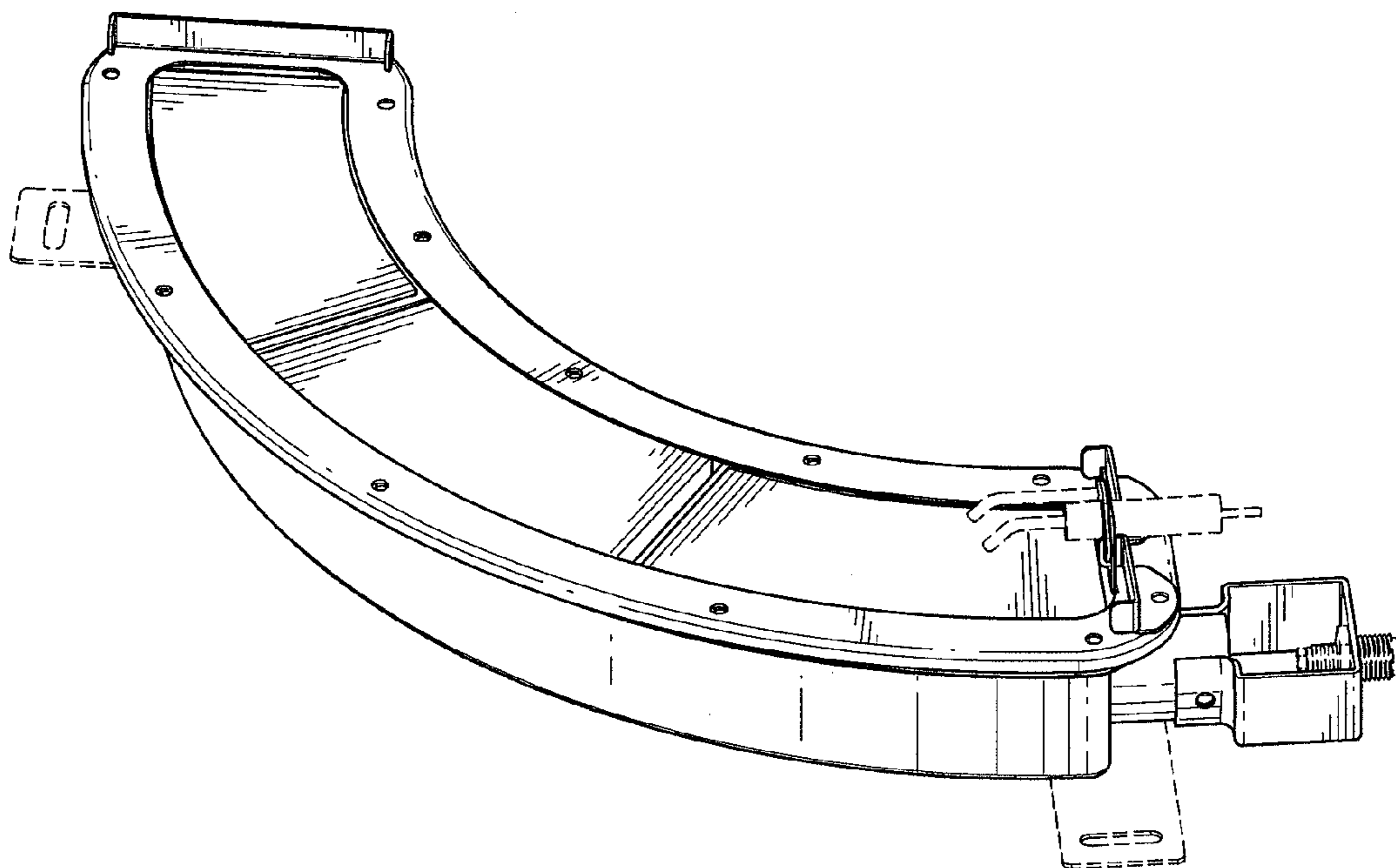
(57) **CLAIM**

The ornamental design for a curved infrared burner, as shown and described.

DESCRIPTION

FIG. 1 is a perspective view of a curved infrared burner. FIG. 2 is a top plan view of the curved infrared burner of FIG. 1. FIG. 3 is a bottom plan view of the curved infrared burner of FIG. 1. FIG. 4 is a left side elevational view of the curved infrared burner of FIG. 1. FIG. 5 is a right side elevational view of the curved infrared burner of FIG. 1. FIG. 6 is a front elevational view of the curved infrared burner of FIG. 1; and, FIG. 7 is a rear elevational view of the curved infrared burner of FIG. 1. The broken lines in the drawings represent environmental subject matter and form no part of the claimed design.

1 Claim, 4 Drawing Sheets



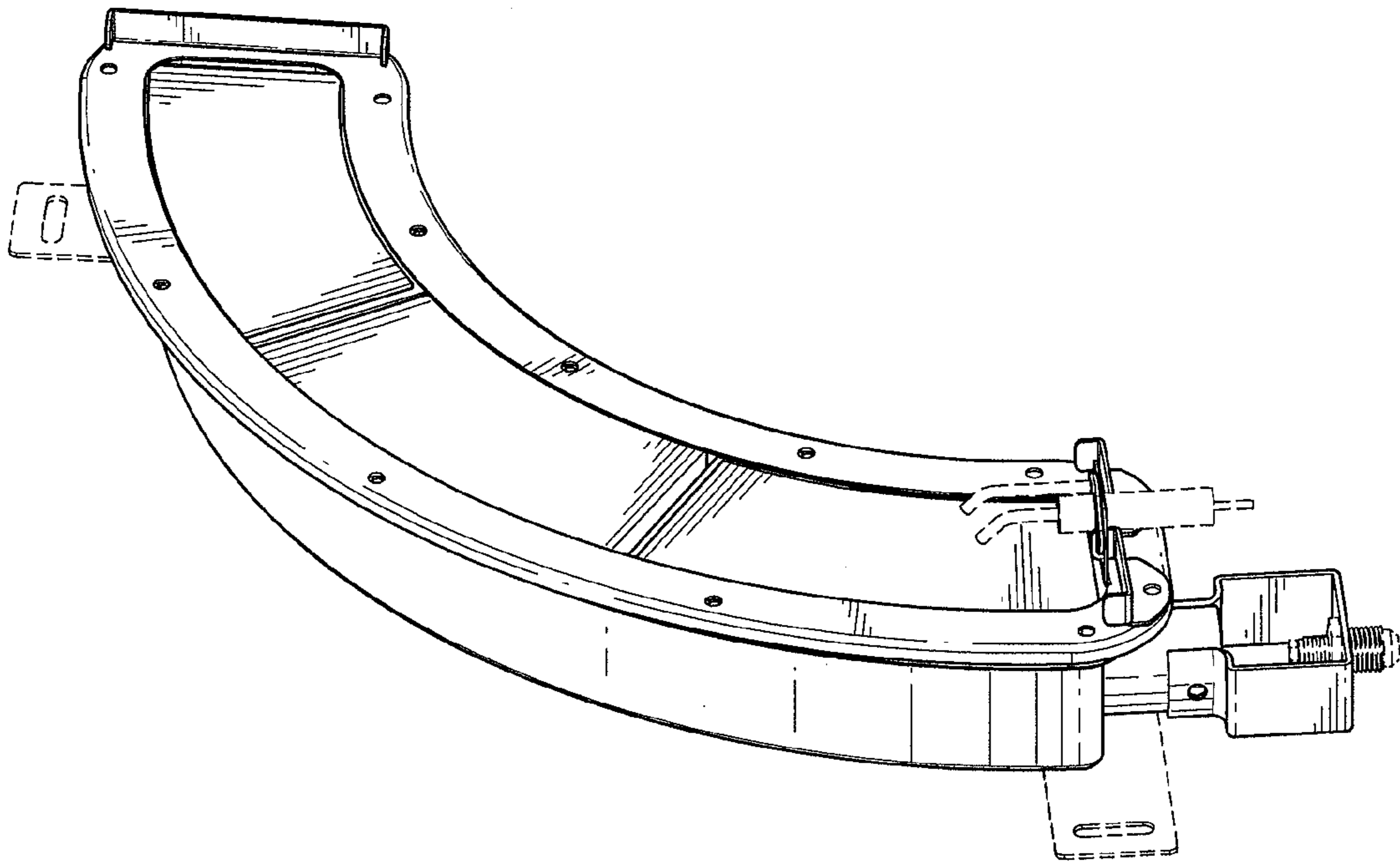


FIG. 1

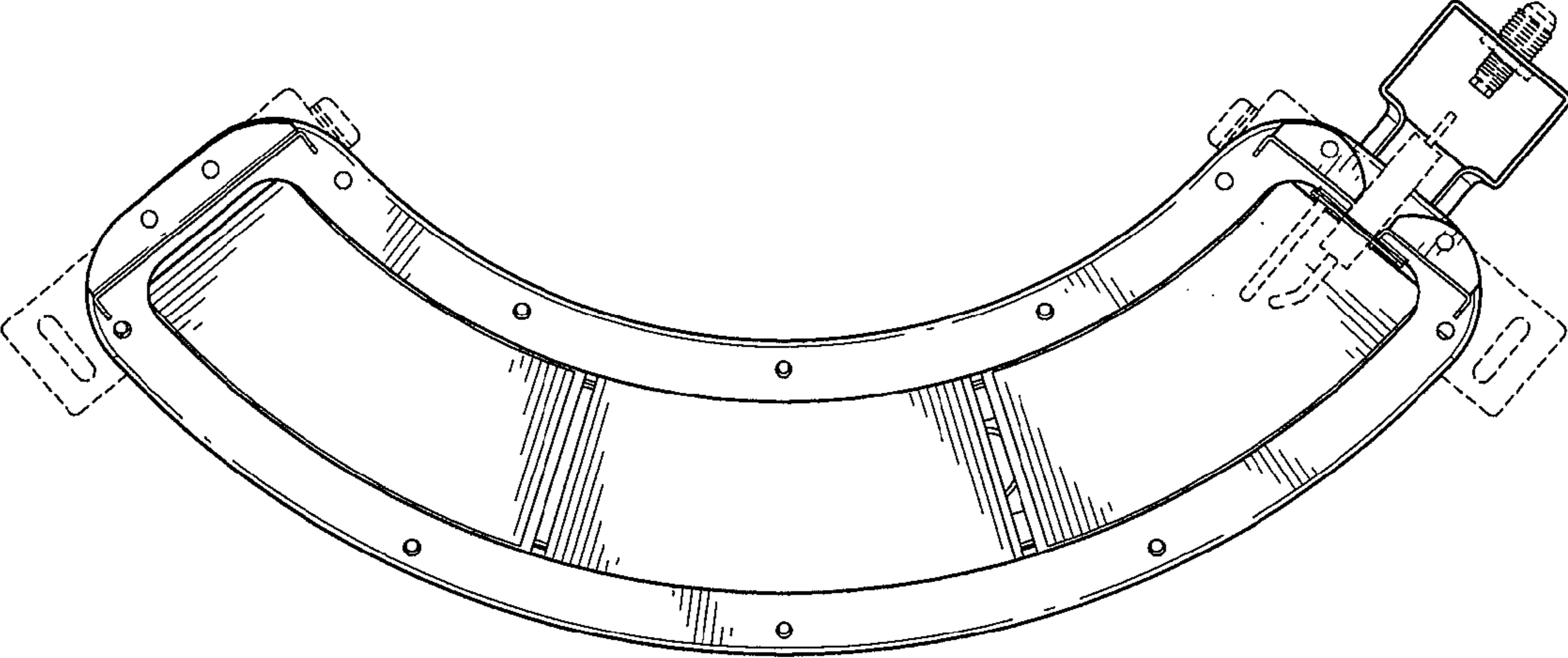


FIG. 2

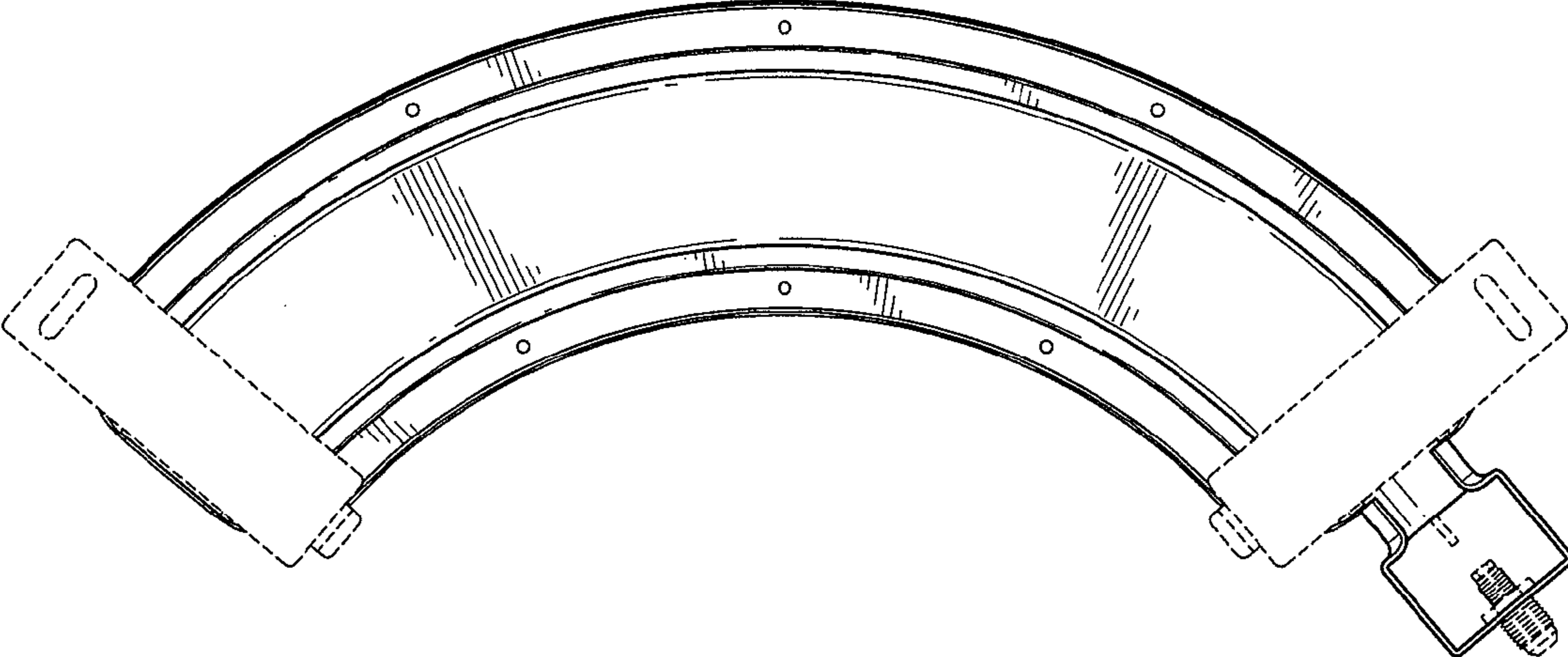


FIG. 3

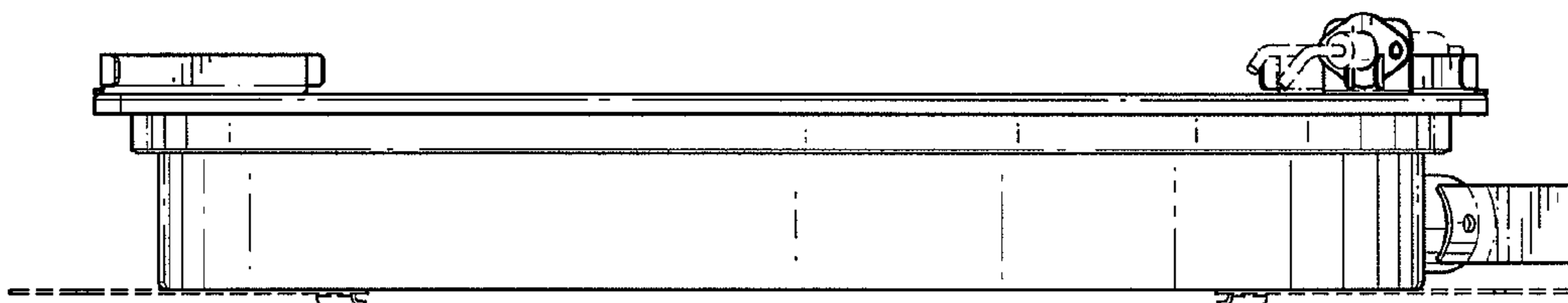


FIG. 4

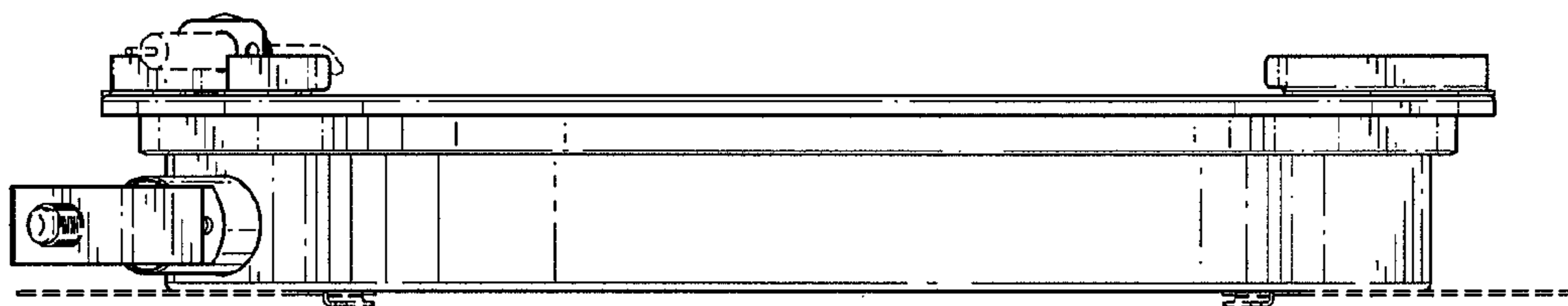


FIG. 5

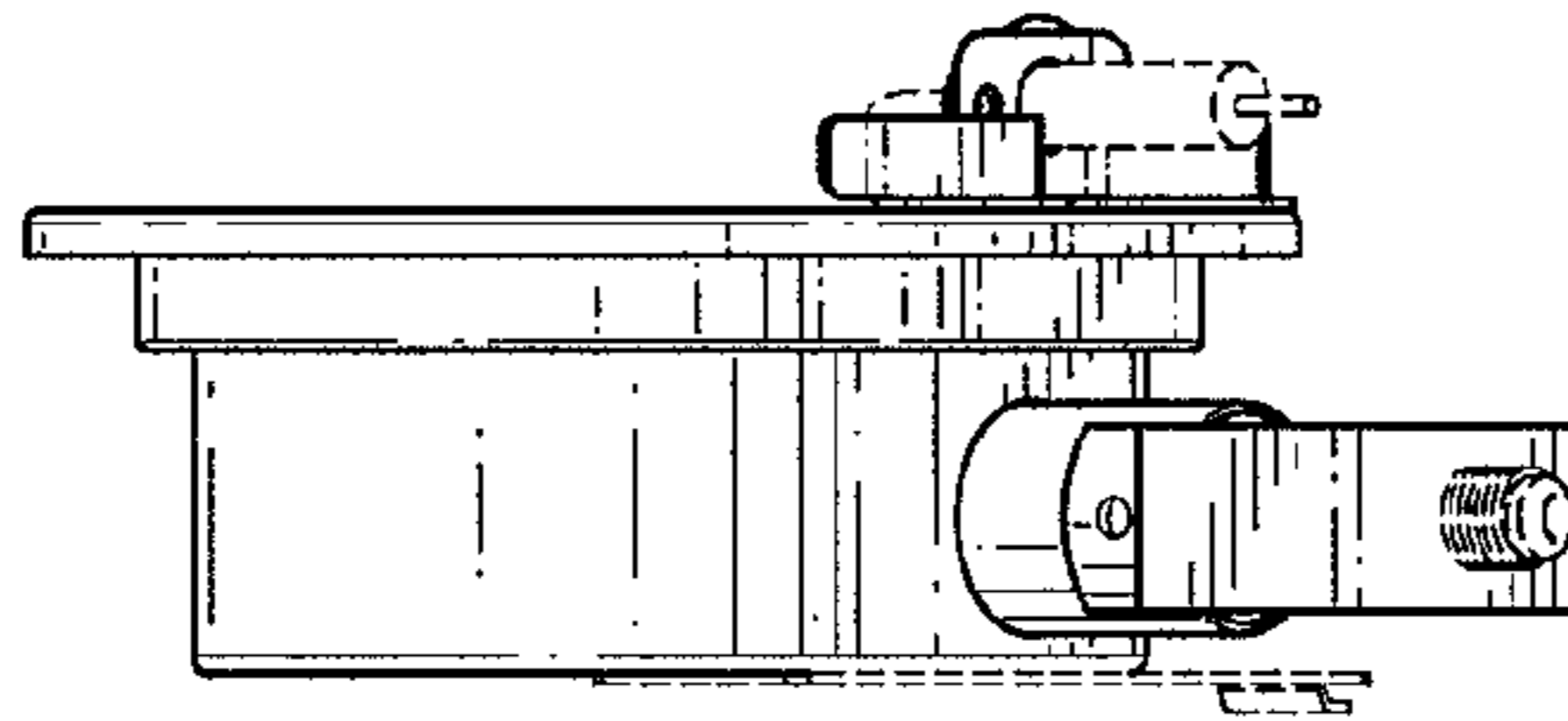


FIG. 6

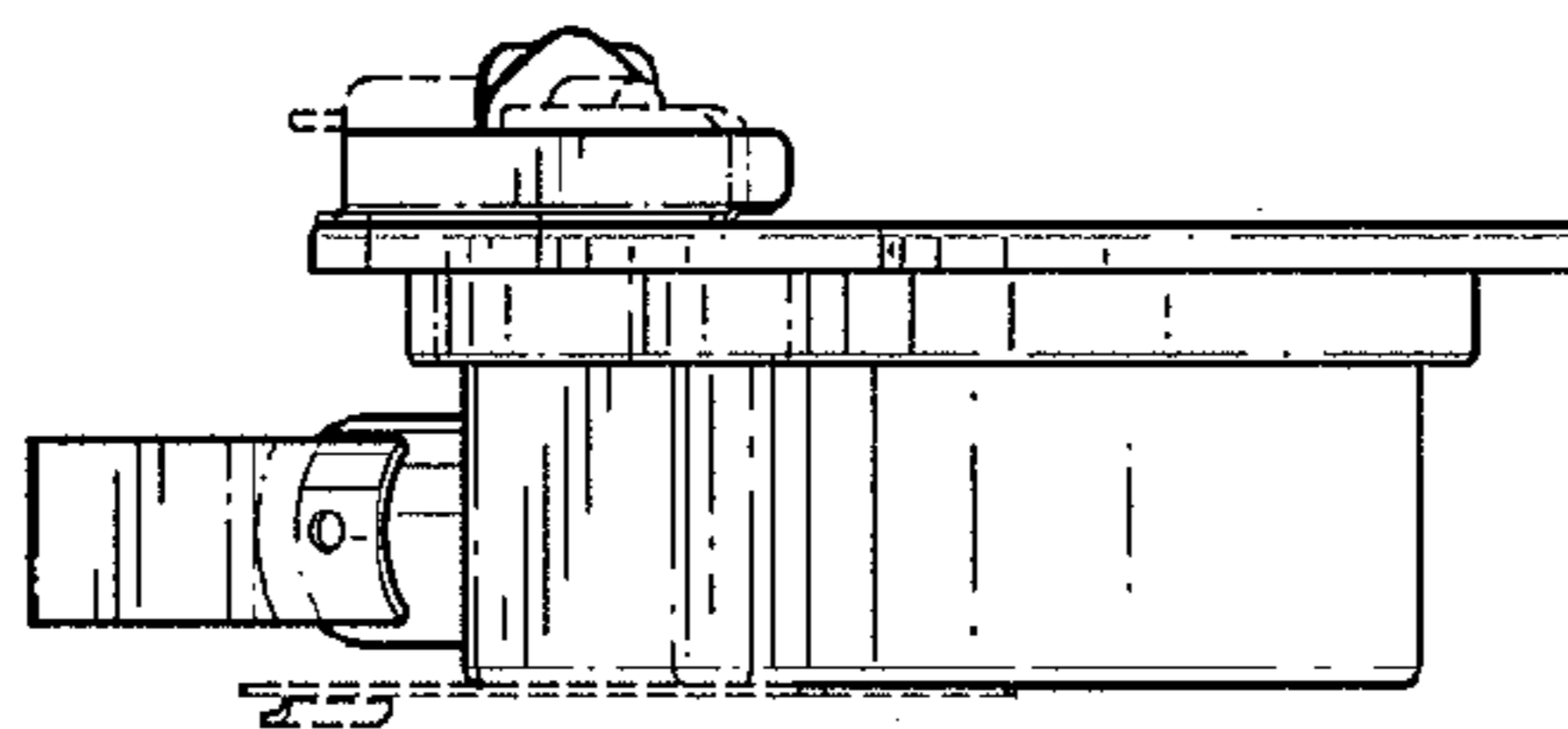


FIG. 7