



US00D666707S

(12) **United States Design Patent**  
**Eikhoff et al.**

(10) **Patent No.:** **US D666,707 S**

(45) **Date of Patent:** **\*\* Sep. 4, 2012**

(54) **ROOF EXHAUST VENTILATOR**

(75) Inventors: **Mark T. Eikhoff**, Jacksonville, AR (US);  
**Joe E. Smith**, Jacksonville, AR (US)

(73) Assignee: **Lomanco, Inc.**, Jacksonville, AR (US)

(\*\*) Term: **14 Years**

(21) Appl. No.: **29/388,121**

(22) Filed: **Mar. 24, 2011**

(51) **LOC (9) Cl.** ..... **23-04**

(52) **U.S. Cl.** ..... **D23/393**

(58) **Field of Classification Search** ..... D23/385-395,  
D23/397, 370-373, 365, 351, 354, 399-403,  
D23/421, 499; 454/309, 275-277, 284, 287-291,  
454/358-363; 52/302.1, 32.07, 220.8

See application file for complete search history.

(56) **References Cited**

**U.S. PATENT DOCUMENTS**

3,520,093	A *	7/1970	Phillip	.....	D23/373
D258,083	S *	1/1981	Gammell	.....	D23/354
D276,543	S *	11/1984	Hisey	.....	D23/393
D300,777	S *	4/1989	Bales et al.	.....	D23/392
D320,847	S *	10/1991	Lanigan	.....	D23/371
D329,694	S *	9/1992	Wimberly	.....	D23/373
D365,873	S *	1/1996	Van Belle	.....	D23/328

D380,044	S *	6/1997	Tobias	.....	D23/371
6,302,787	B1 *	10/2001	Graft, Jr.	.....	454/358
D541,927	S *	5/2007	Yamanaka et al.	.....	D23/388
7,549,258	B2 *	6/2009	Lajewski	.....	52/220.8
D624,639	S *	9/2010	Dilorenzo	.....	D23/365
D635,238	S *	3/2011	Zakula et al.	.....	D23/388

\* cited by examiner

*Primary Examiner* — David Muller

(74) *Attorney, Agent, or Firm* — Joe D. Calhoun; Rashauna A. Norment

(57) **CLAIM**

The ornamental design for a roof exhaust ventilator, as shown and described.

**DESCRIPTION**

FIG. 1 depicts a perspective view of the roof exhaust ventilator.

FIG. 2 depicts a close-up section of FIG. 1.

FIG. 3 depicts a top plan view thereof.

FIG. 4 depicts a bottom plan view thereof.

FIG. 5 depicts a bottom perspective view thereof.

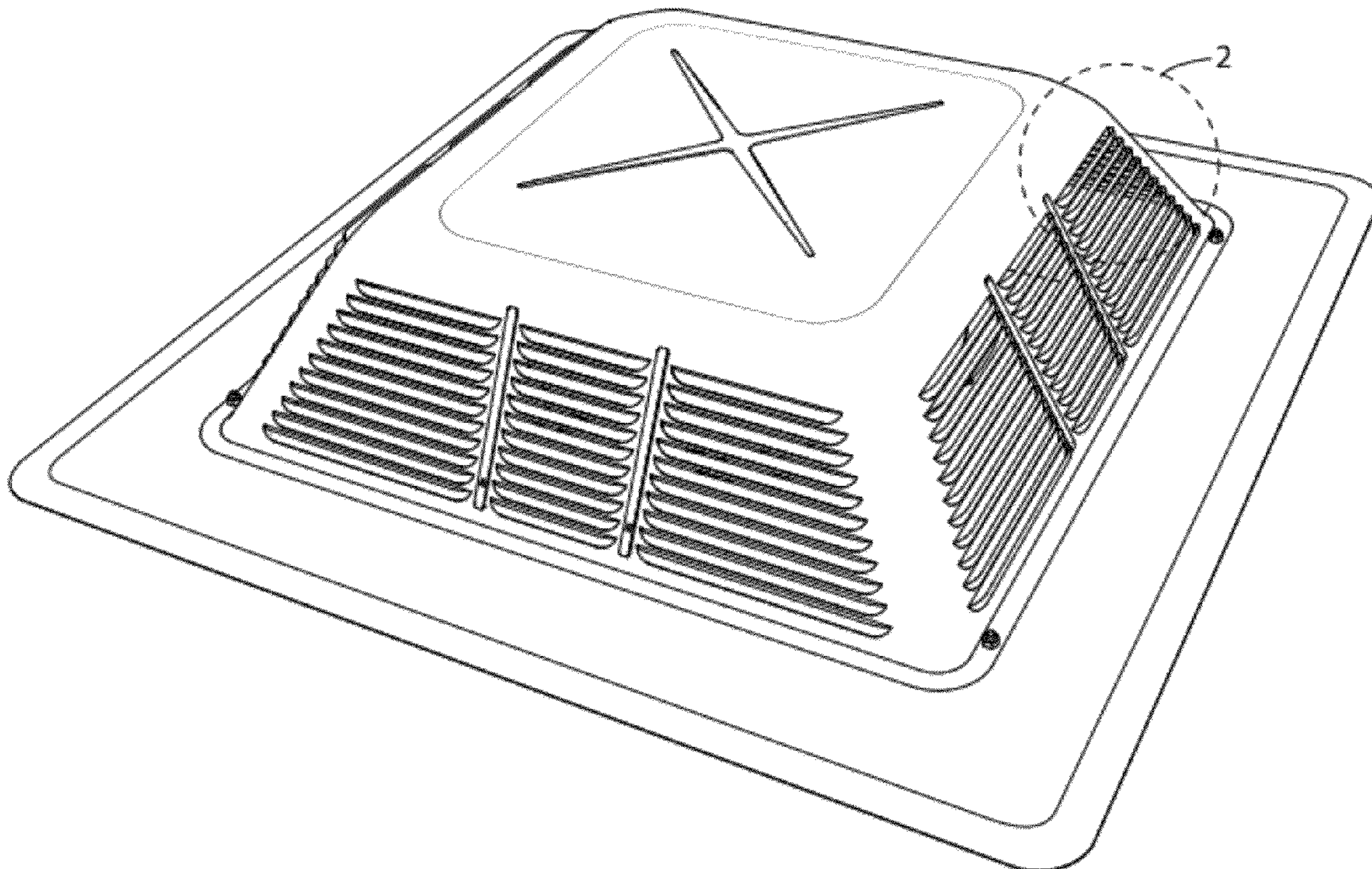
FIG. 6 depicts a front elevation view thereof.

FIG. 7 depicts a rear elevation view thereof.

FIG. 8 depicts a left side elevation view thereof; and,

FIG. 9 depicts a right side elevation view thereof.

**1 Claim, 4 Drawing Sheets**



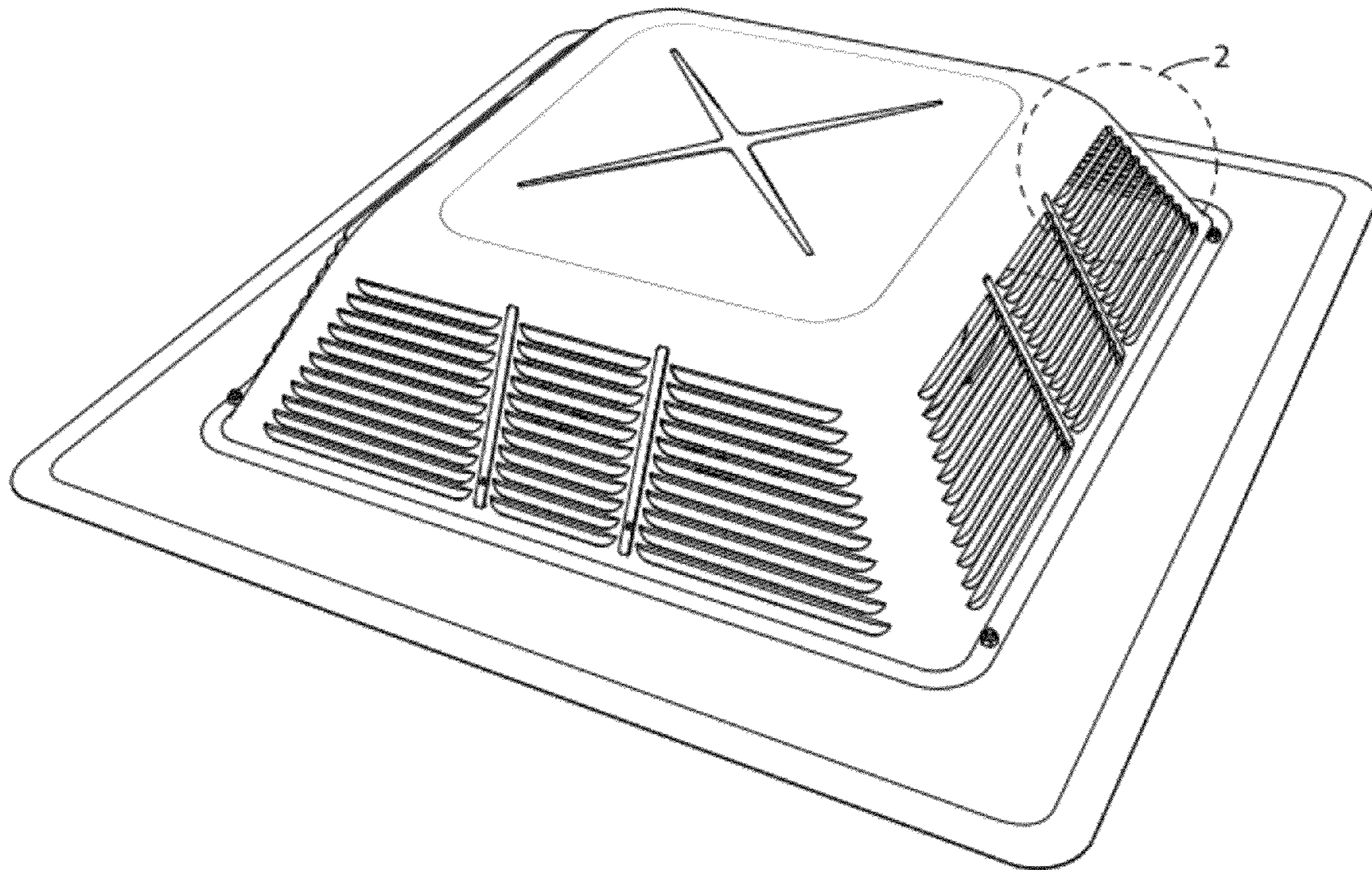


FIG. 1

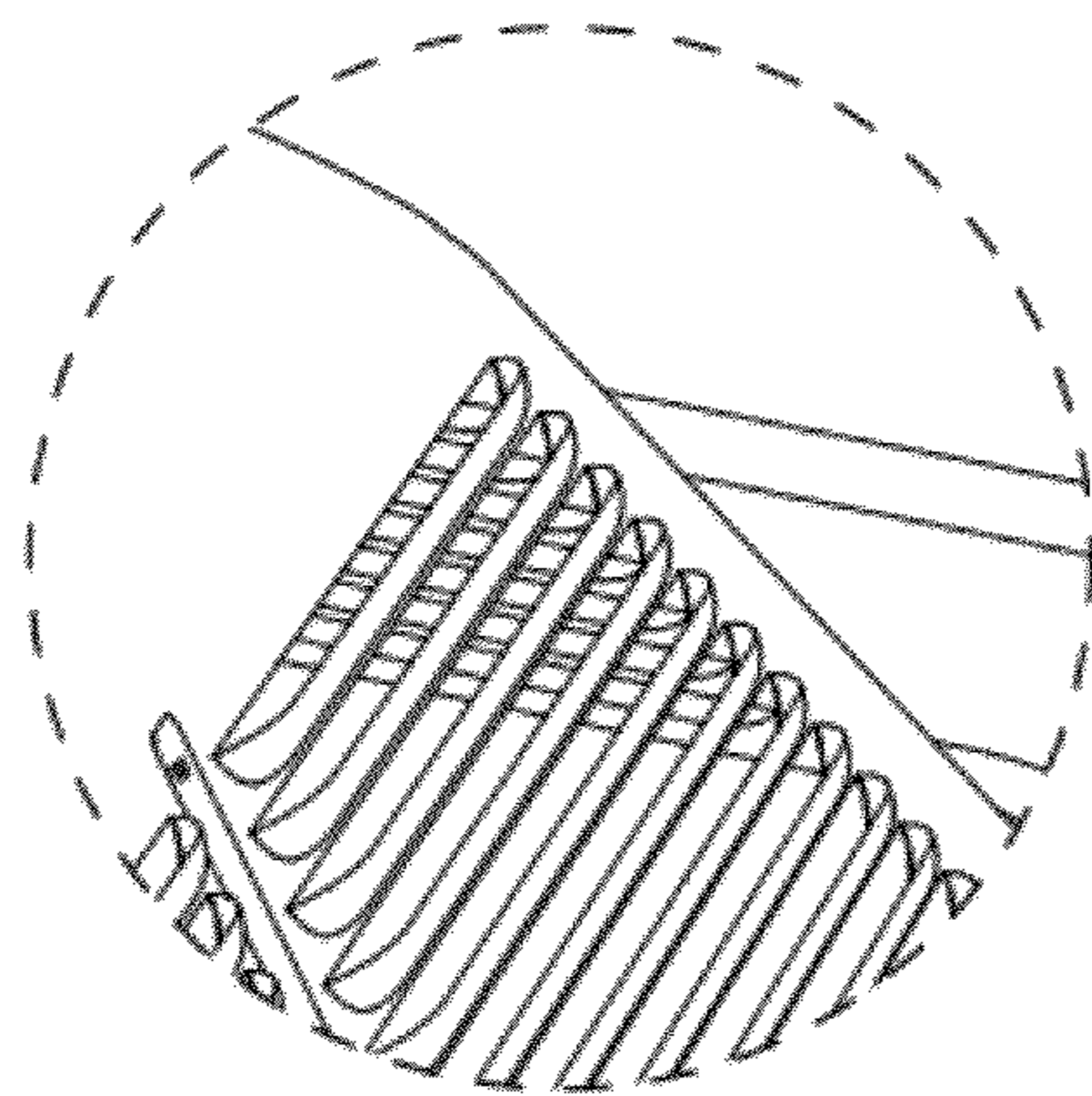


FIG. 2

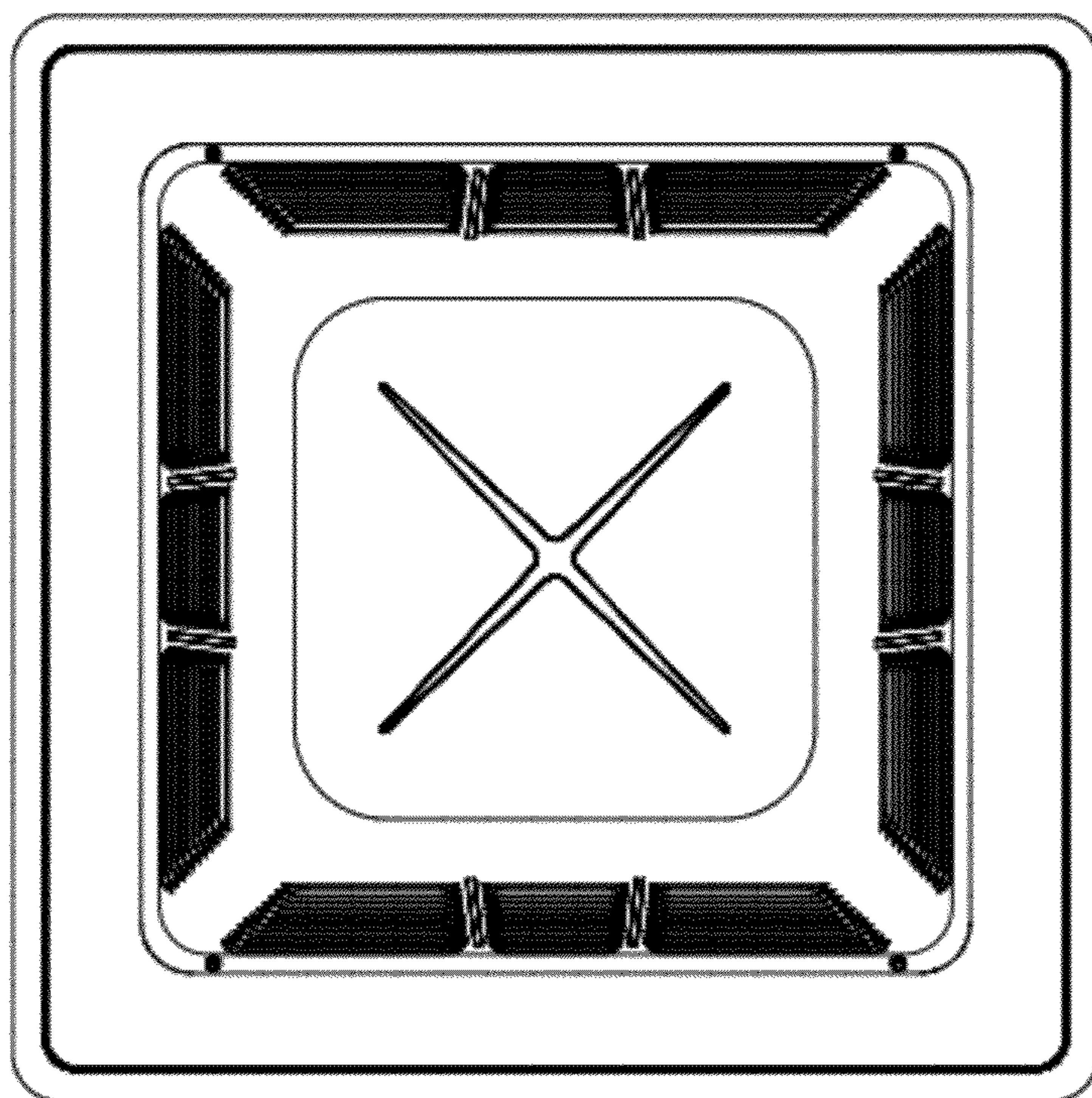


FIG. 3

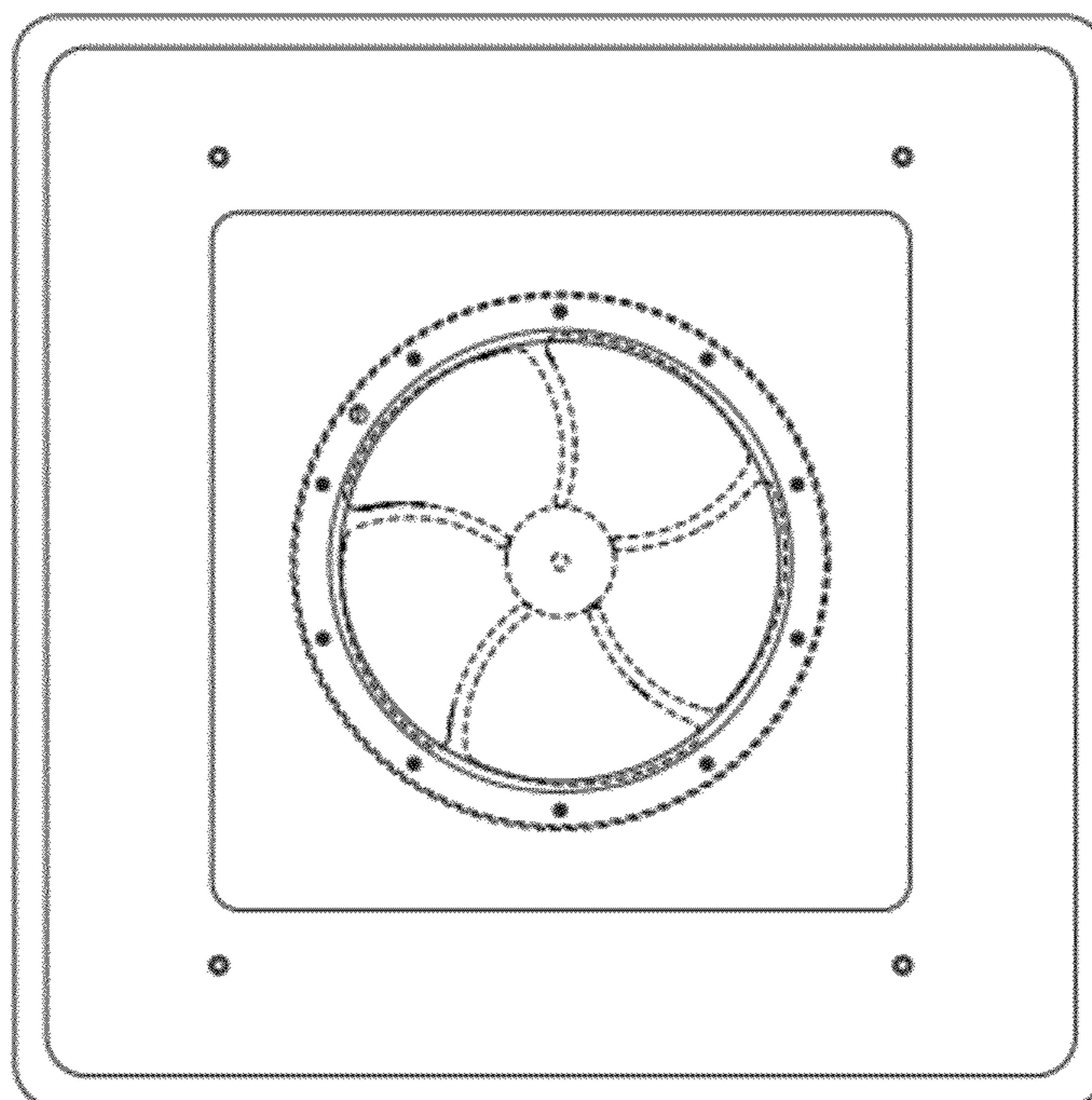


FIG. 4

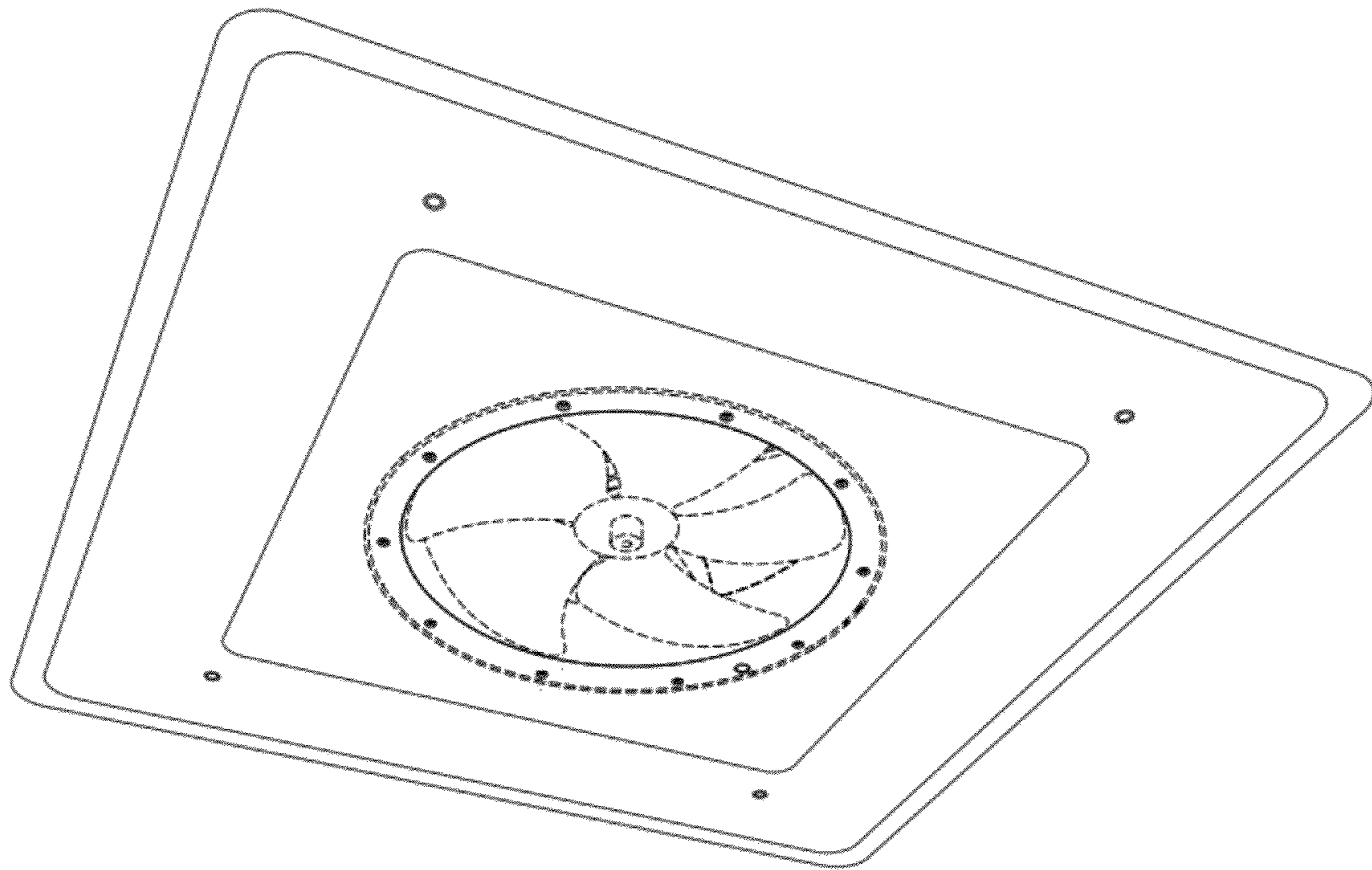


FIG. 5

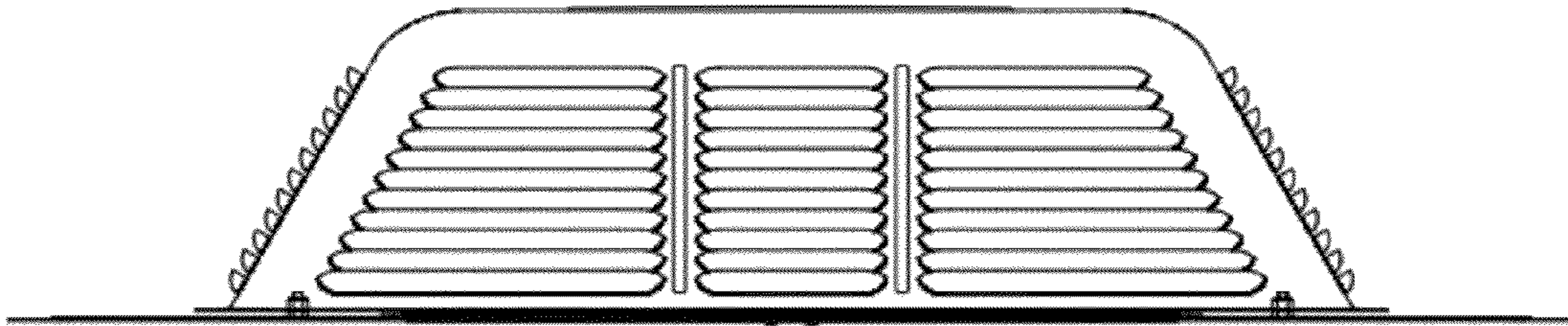


FIG. 6

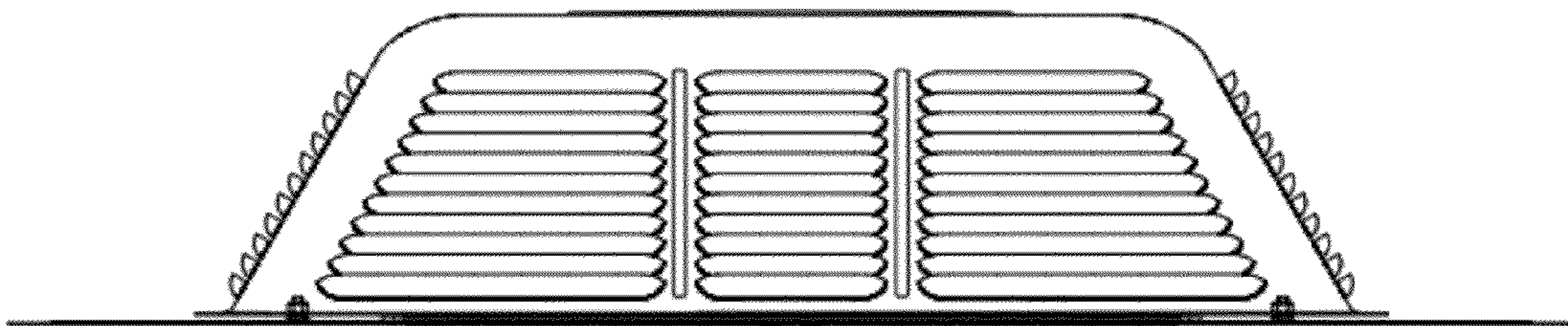


FIG. 7

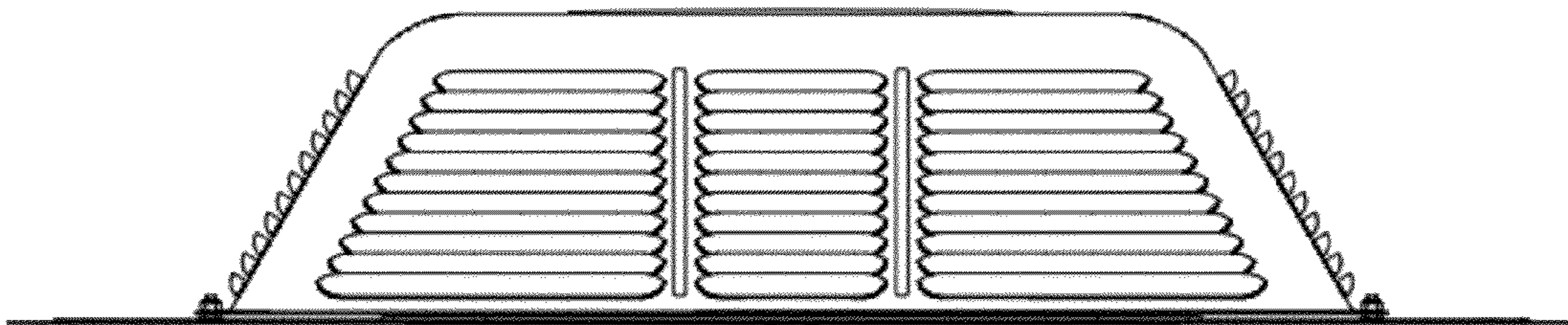


FIG. 8

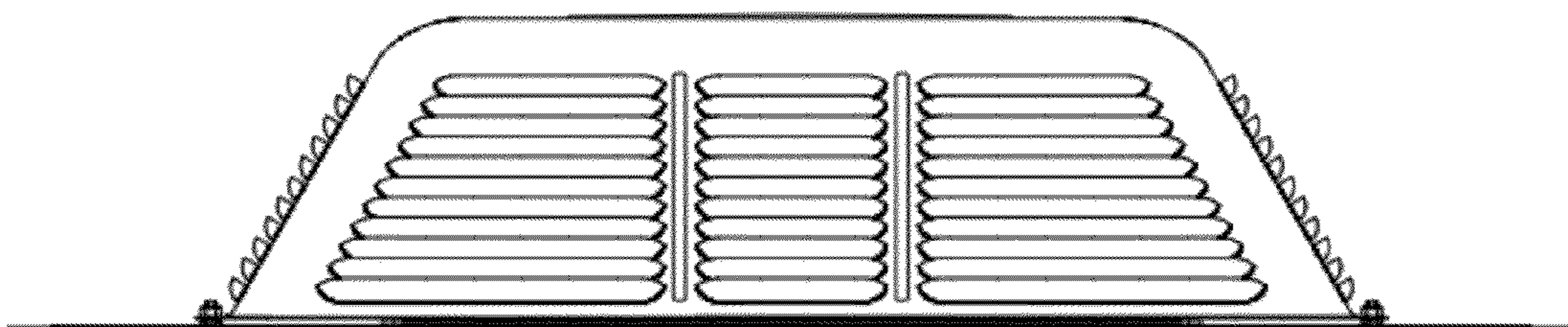


FIG. 9