



US00D666702S

(12) **United States Design Patent**
Reedy

(10) **Patent No.:** **US D666,702 S**
(45) **Date of Patent:** **** Sep. 4, 2012**

- (54) **SHOWER ENCLOSURE**
- (75) Inventor: **Michael Reedy**, Chicago, IL (US)
- (73) Assignee: **Masco Bath Corporation**, Moorestown, NJ (US)
- (**) Term: **14 Years**
- (21) Appl. No.: **29/402,274**
- (22) Filed: **Sep. 22, 2011**
- (51) **LOC (9) Cl.** **23-02**
- (52) **U.S. Cl.** **D23/283**
- (58) **Field of Classification Search** D23/271,
D23/275, 283, 303-305; 4/663, 552, 596,
4/612-614, 900
See application file for complete search history.

- D561,310 S * 2/2008 Breymaier et al. D23/283
- D576,262 S * 9/2008 Ishiyama et al. D23/305
- D628,683 S * 12/2010 Andrew et al. D23/305
- D629,089 S * 12/2010 Yoo et al. D23/305

* cited by examiner

Primary Examiner — Robert Delehanty

(74) *Attorney, Agent, or Firm* — Nirav D. Parikh; Edgar A. Zarins; Lora J. Graentzdoerffer

(57) **CLAIM**

The ornamental design for a shower enclosure, as shown and described.

DESCRIPTION

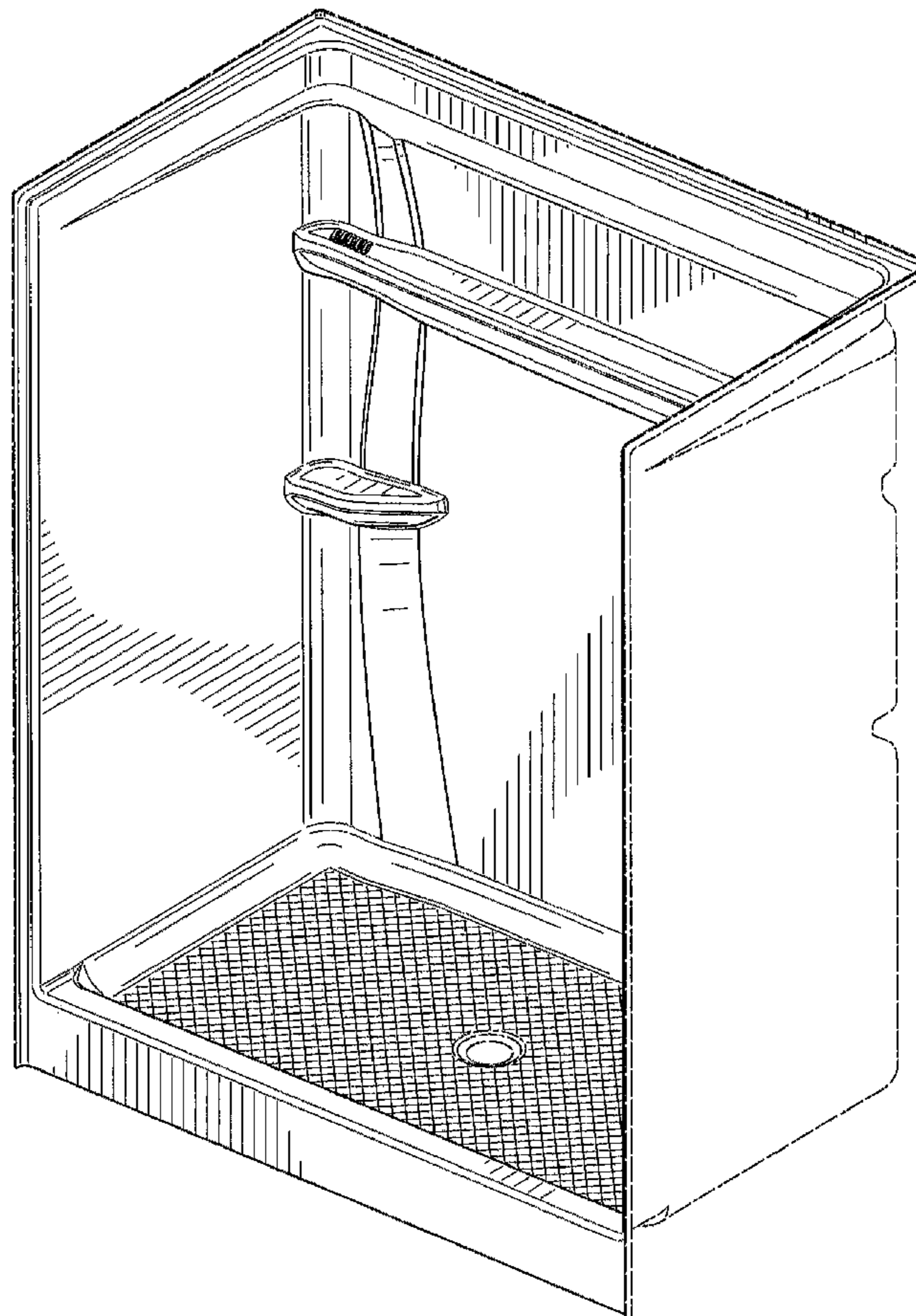
FIG. 1 is a front/left side perspective view of a shower enclosure showing my new design;
 FIG. 2 is a front elevational view thereof;
 FIG. 3 is a cross-sectional view taken along line 3-3 of FIG. 2 thereof; and,
 FIG. 4 is a top plan view thereof.
 The broken lines are for illustrative purposes only and form no part of the claimed design.

1 Claim, 4 Drawing Sheets

(56) **References Cited**

U.S. PATENT DOCUMENTS

- D252,467 S * 7/1979 Jacuzzi et al. D23/275
- D310,557 S * 9/1990 Smith D23/275
- D495,788 S * 9/2004 Helmsie et al. D23/283



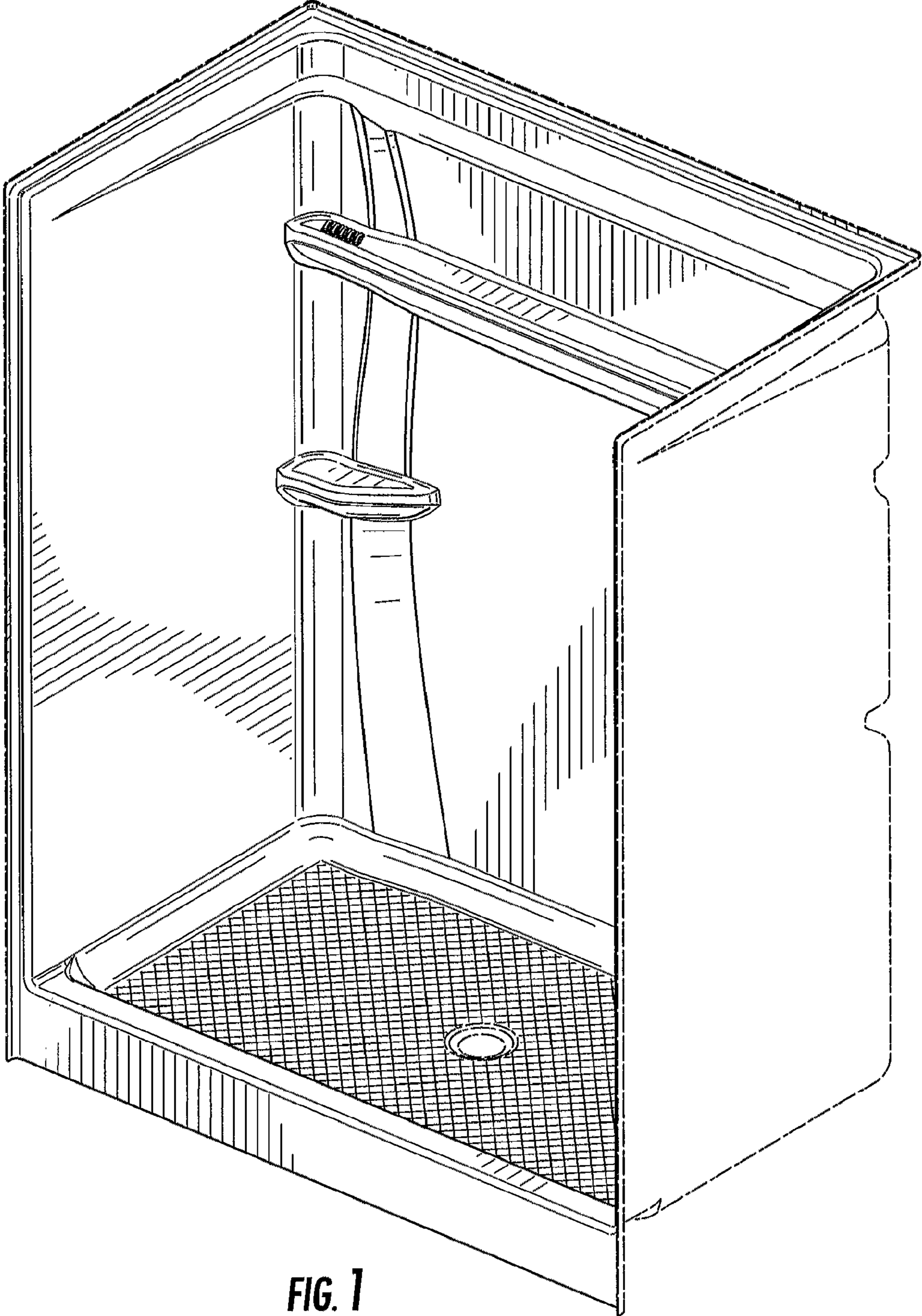


FIG. 1

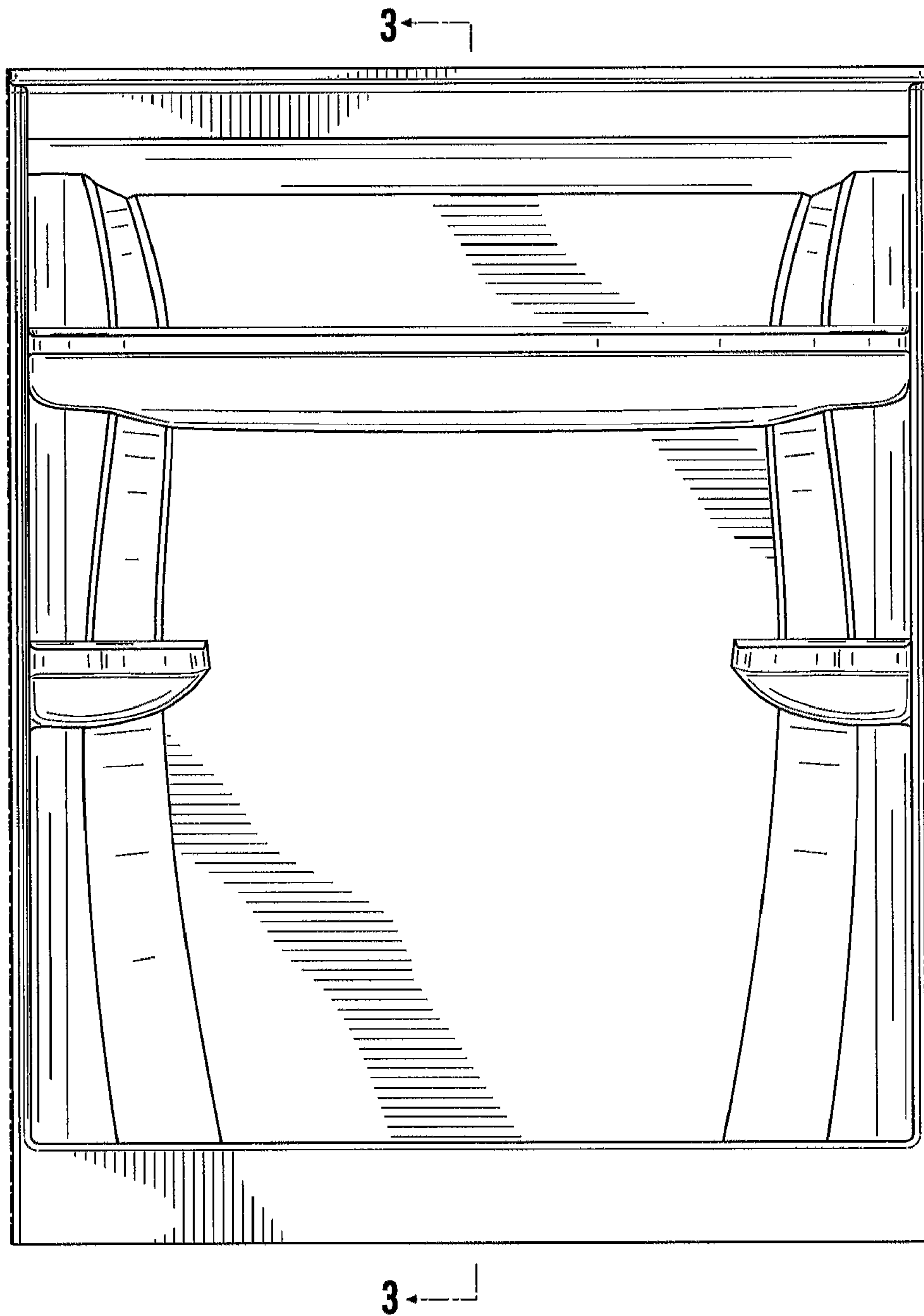


FIG. 2

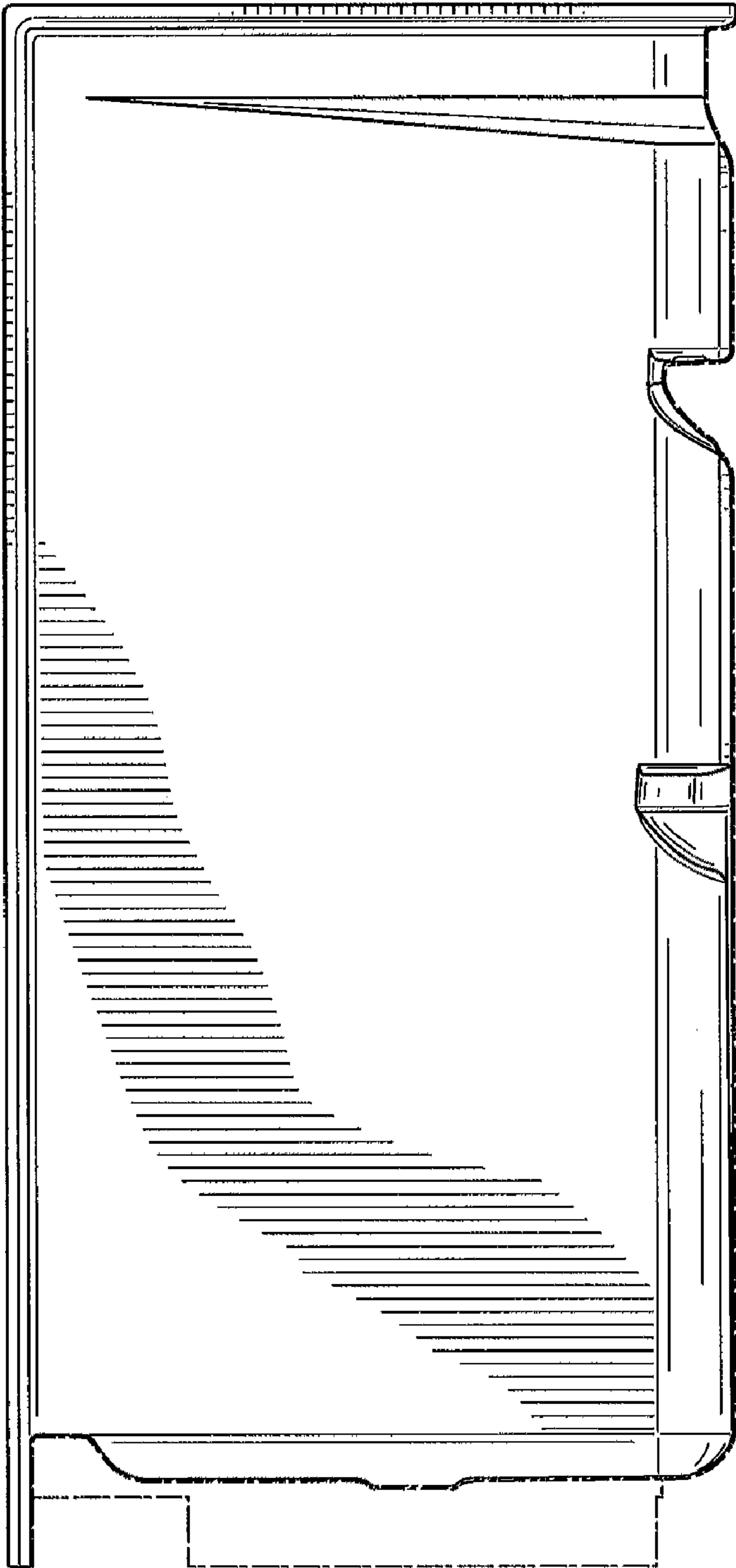


FIG. 3

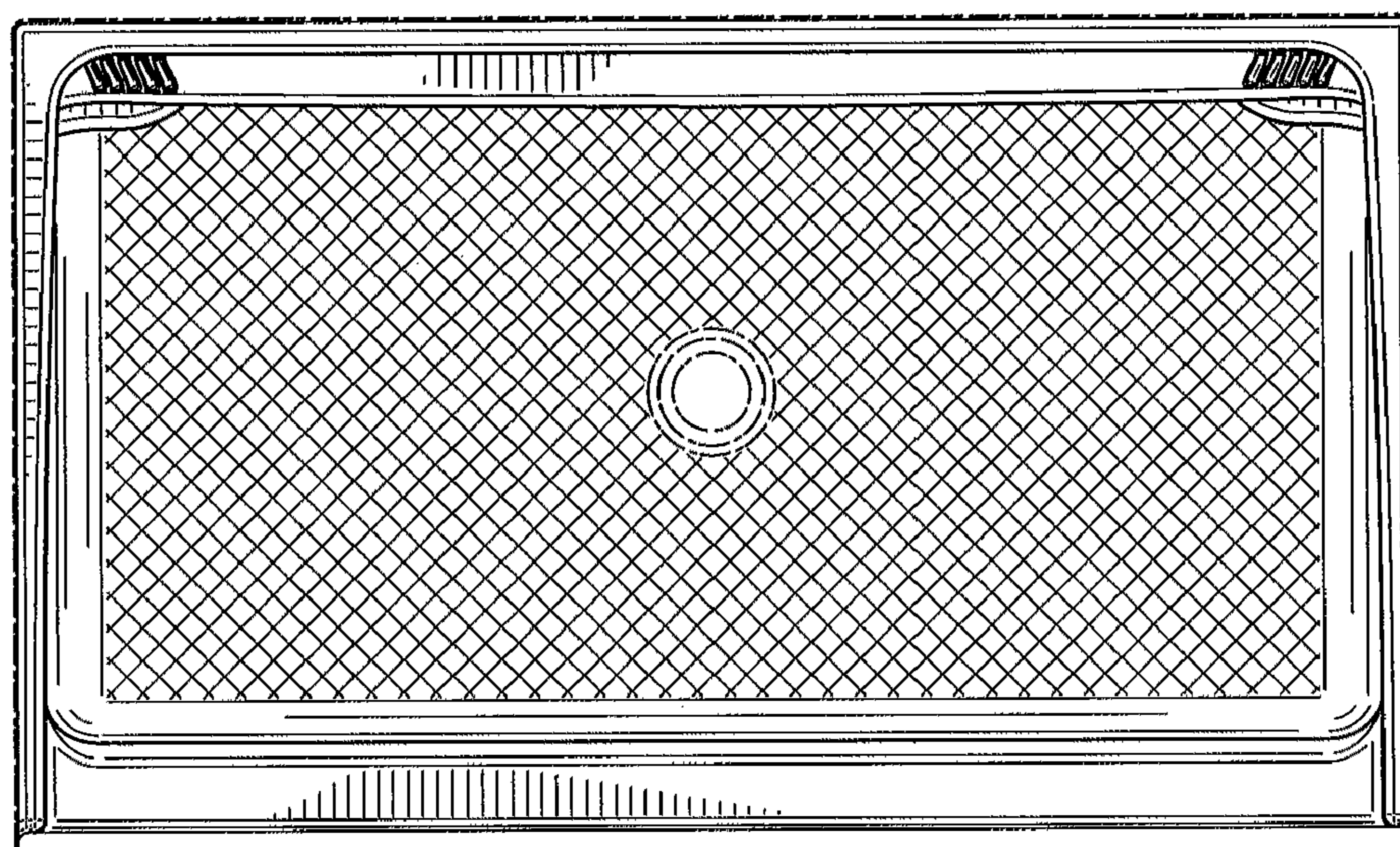


FIG. 4