

US00D666700S

(12) **United States Design Patent**
Oike et al.

(10) **Patent No.:** **US D666,700 S**
(45) **Date of Patent:** **** Sep. 4, 2012**

(54) **STEAM TRAP**
(75) Inventors: **Tadashi Oike**, Kakogawa (JP); **Tetsuo Asada**, Takasago (JP)
(73) Assignee: **TLV Co., Ltd.**, Hyogo (JP)
(**) Term: **14 Years**
(21) Appl. No.: **29/394,265**
(22) Filed: **Jun. 15, 2011**

(30) **Foreign Application Priority Data**
Dec. 16, 2010 (JP) 2010-030045
(51) **LOC (9) Cl.** **23-01**
(52) **U.S. Cl.** **D23/268**
(58) **Field of Classification Search** D23/259,
D23/268; 137/183, 192, 269; 263/58-59
See application file for complete search history.

(56) **References Cited**
U.S. PATENT DOCUMENTS
1,407,009 A * 2/1922 Wandless 236/58
1,627,271 A * 5/1927 Burrows 137/192
1,705,642 A * 3/1929 Miller 251/151
2,129,986 A * 9/1938 Berghoefer 236/58
2,781,173 A * 2/1957 Bahr 236/59
3,467,309 A * 9/1969 Fujiwara 236/59

3,645,444 A * 2/1972 Fujiwara 236/59
D237,965 S * 12/1975 Schlesch D23/268
4,387,732 A * 6/1983 Hetz 137/183
4,427,149 A * 1/1984 Adachi 236/59
4,736,886 A * 4/1988 Oike 236/59
D338,708 S * 8/1993 Oike D23/268
5,628,339 A * 5/1997 Isringhausen 137/269
7,316,241 B1 * 1/2008 Sharp et al. 137/183
2009/0044868 A1 * 2/2009 Chiang 137/183
2010/0024895 A1 * 2/2010 Parsons et al. 137/15.18
* cited by examiner

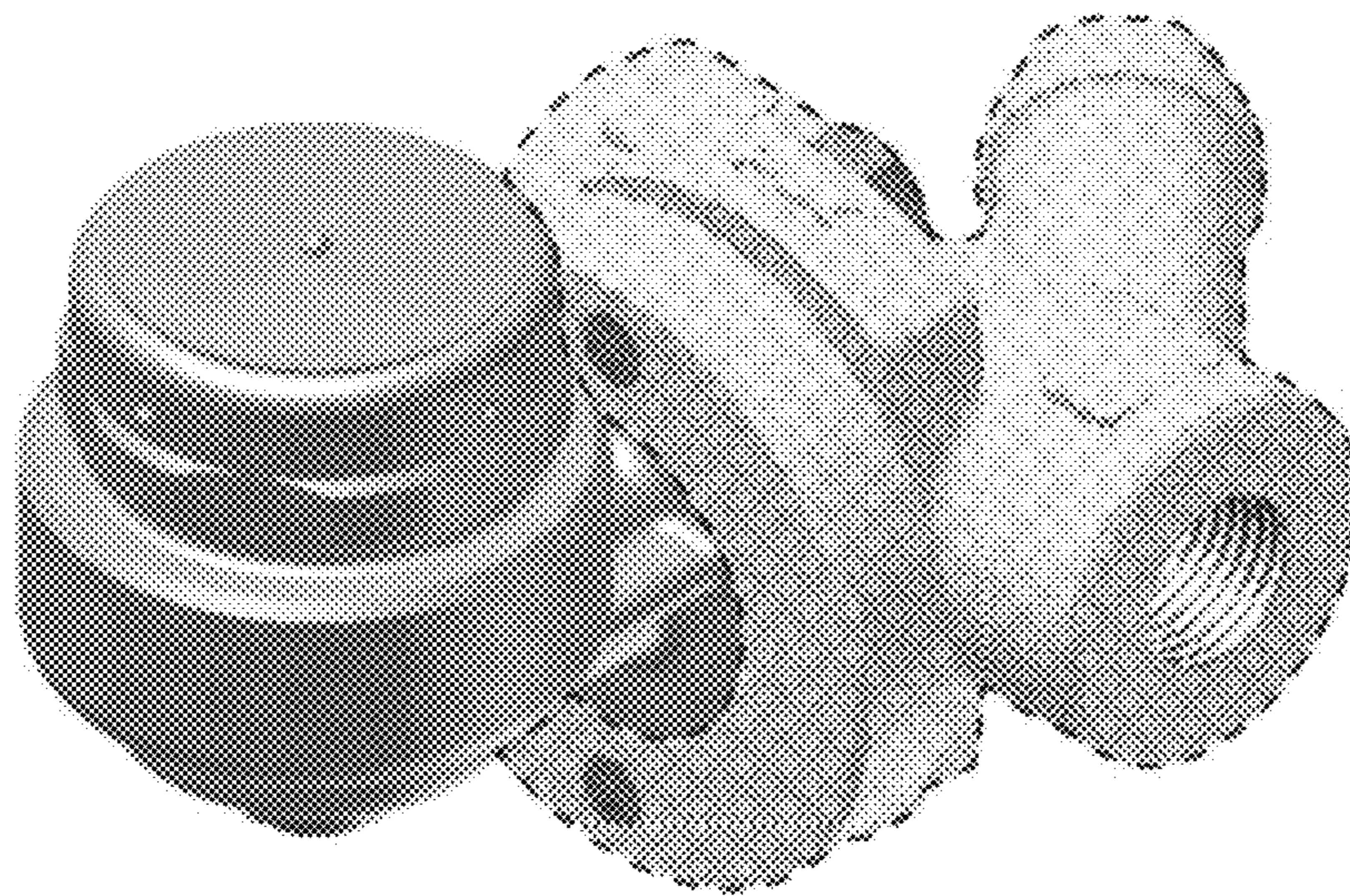
Primary Examiner — Eric Goodman
(74) *Attorney, Agent, or Firm* — The Webb Law Firm

(57) **CLAIM**
The ornamental design for a steam trap, as shown and described.

DESCRIPTION

FIG. 1 is a perspective view of a steam trap in accordance with our new design;
FIG. 2 is a front view thereof;
FIG. 3 is a left side view thereof;
FIG. 4 is a right side view thereof;
FIG. 5 is a rear view thereof;
FIG. 6 is a top plan view thereof; and,
FIG. 7 is a bottom view thereof.
The part of the figures in coarse dot patterns and outlined in dashed lines illustrates a portion that forms no part of the claimed design.

1 Claim, 7 Drawing Sheets



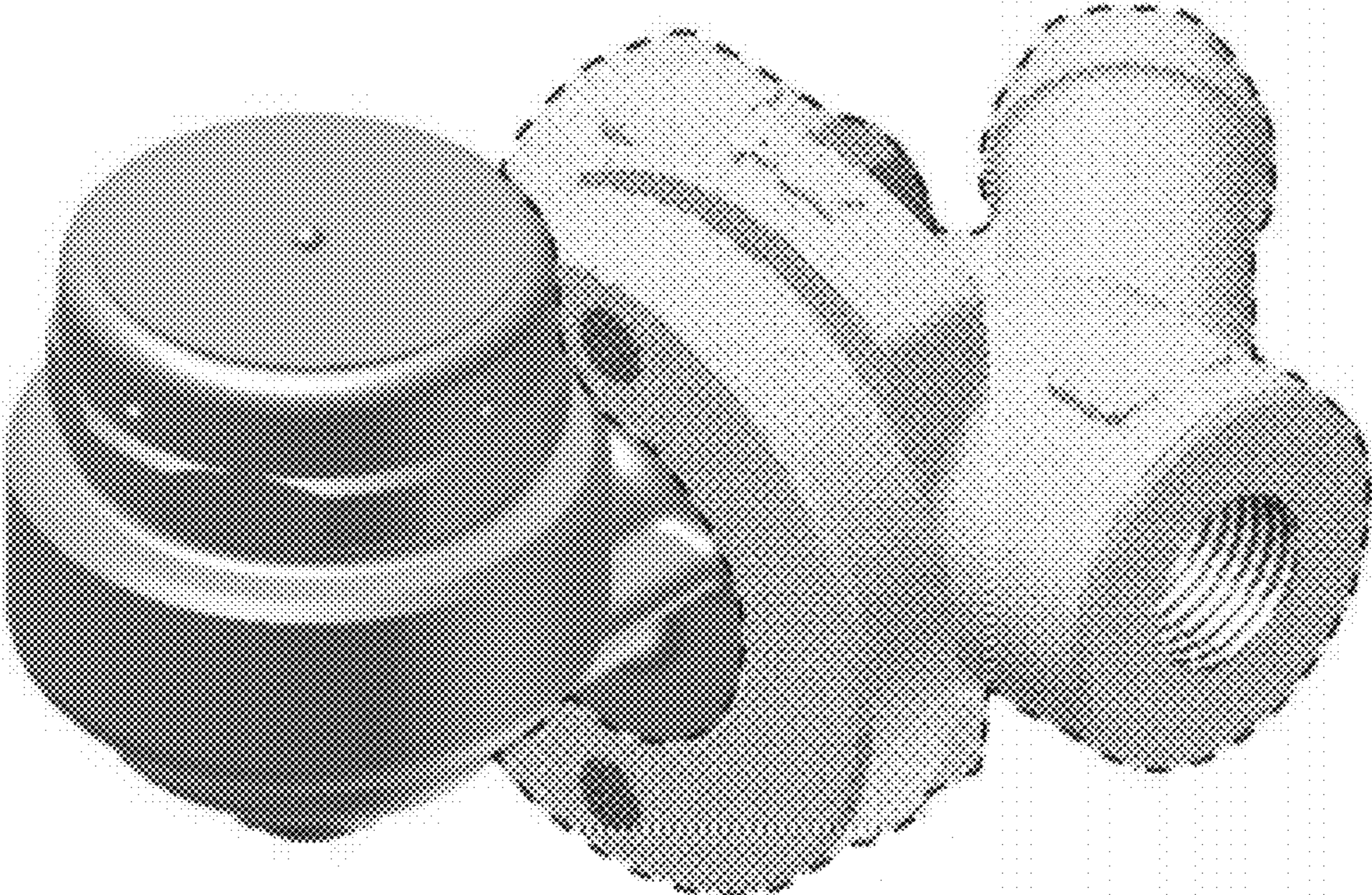


FIG. 1

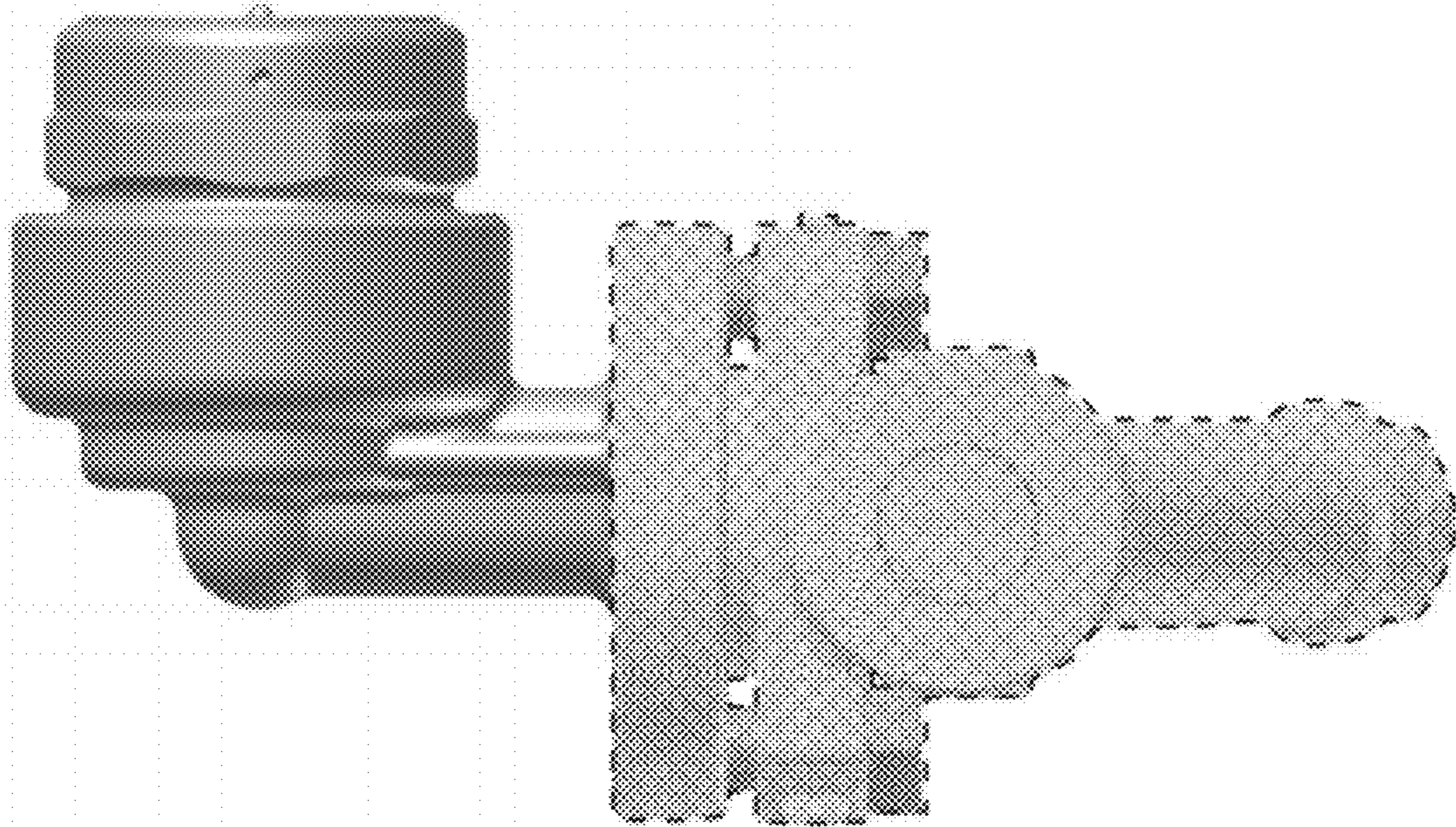


FIG. 2

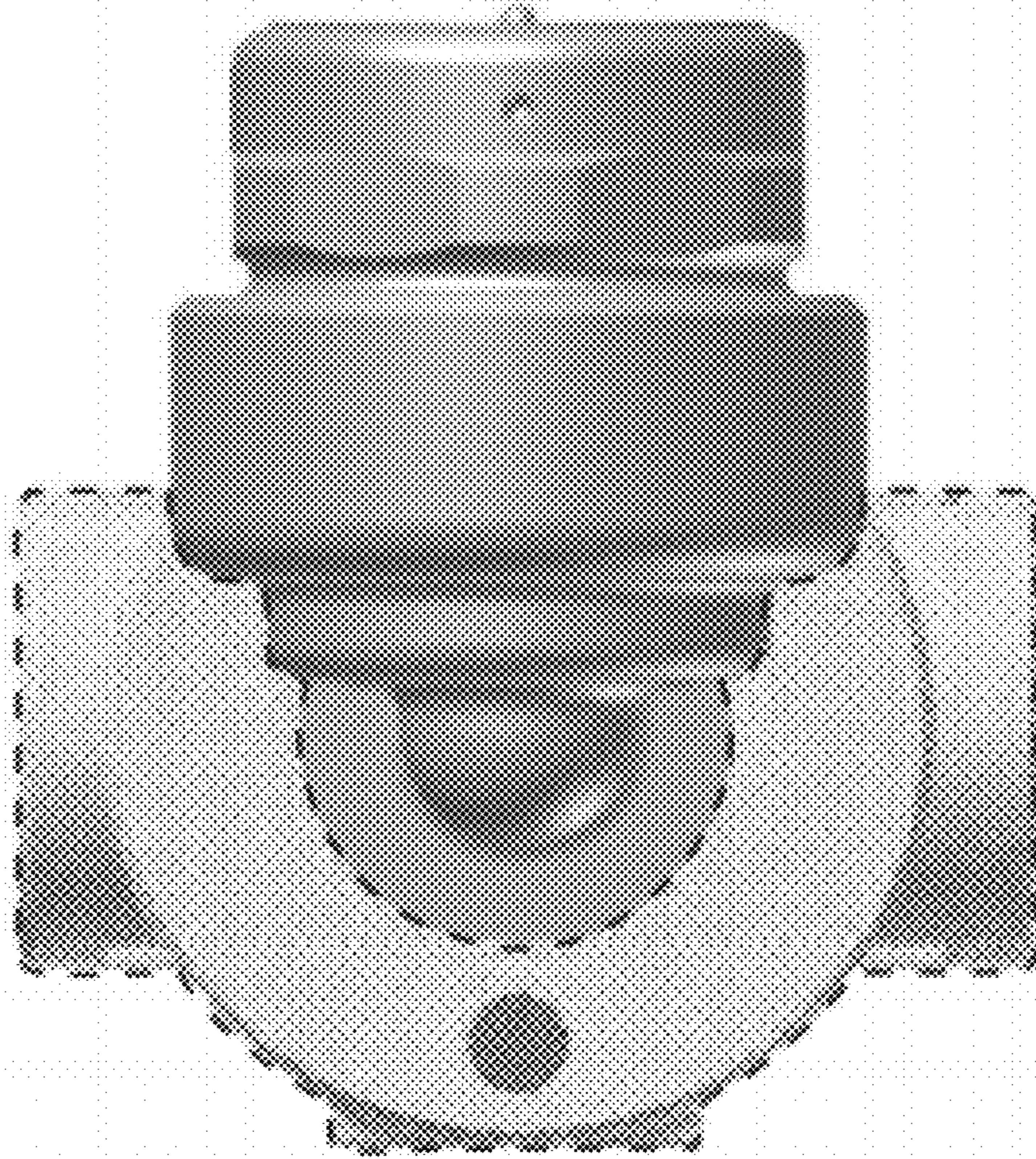


FIG. 3

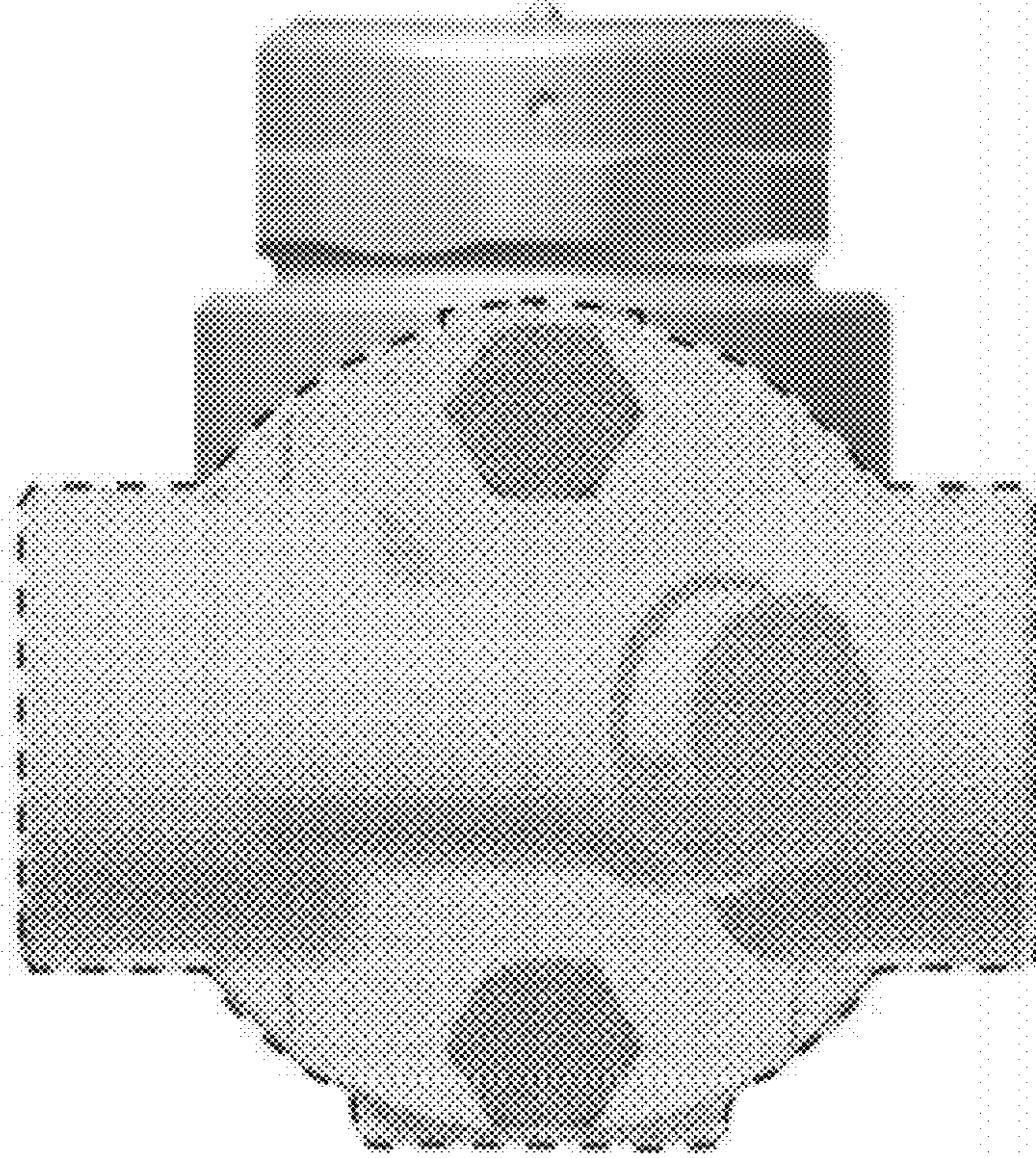


FIG. 4

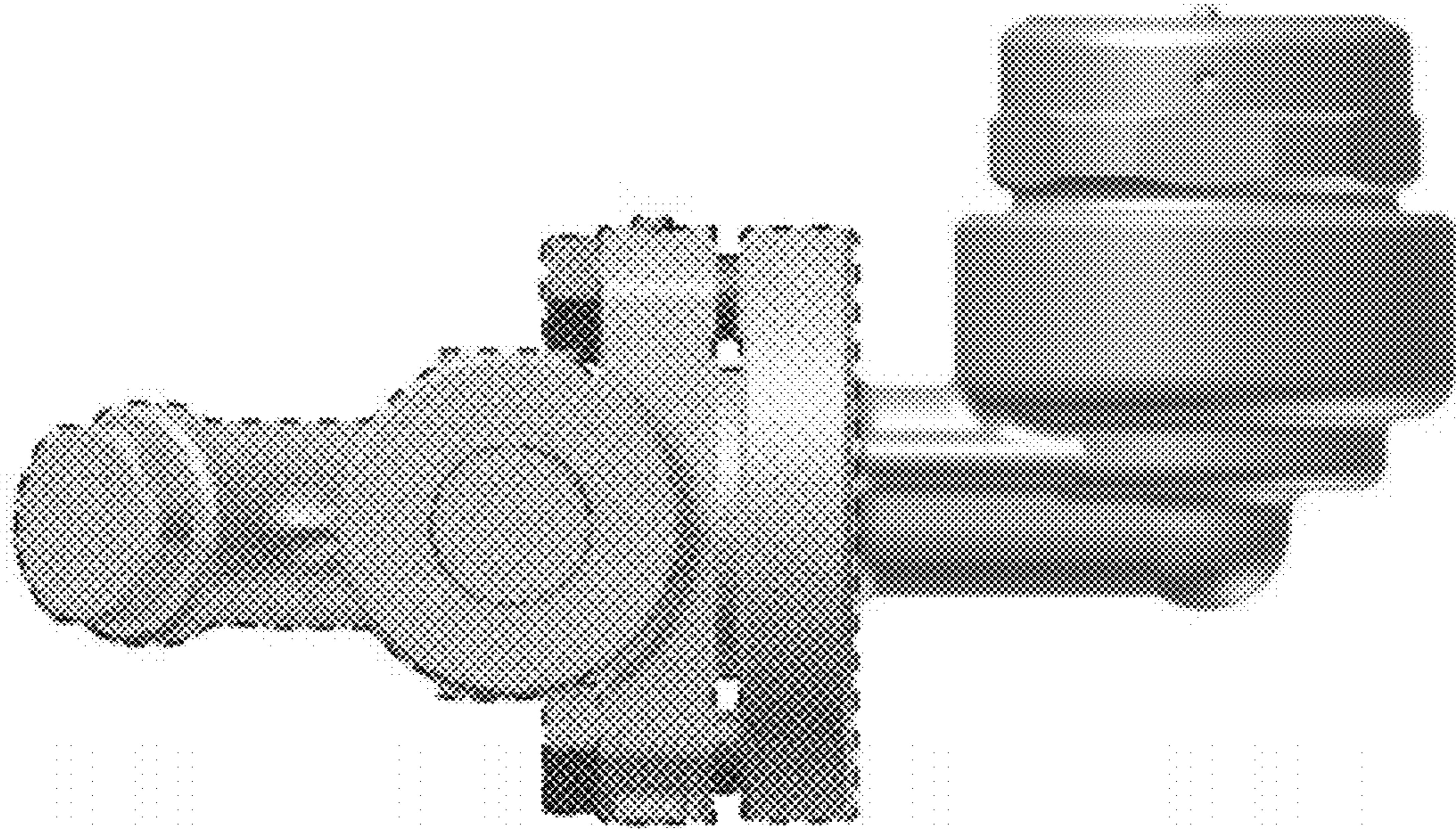


FIG. 5

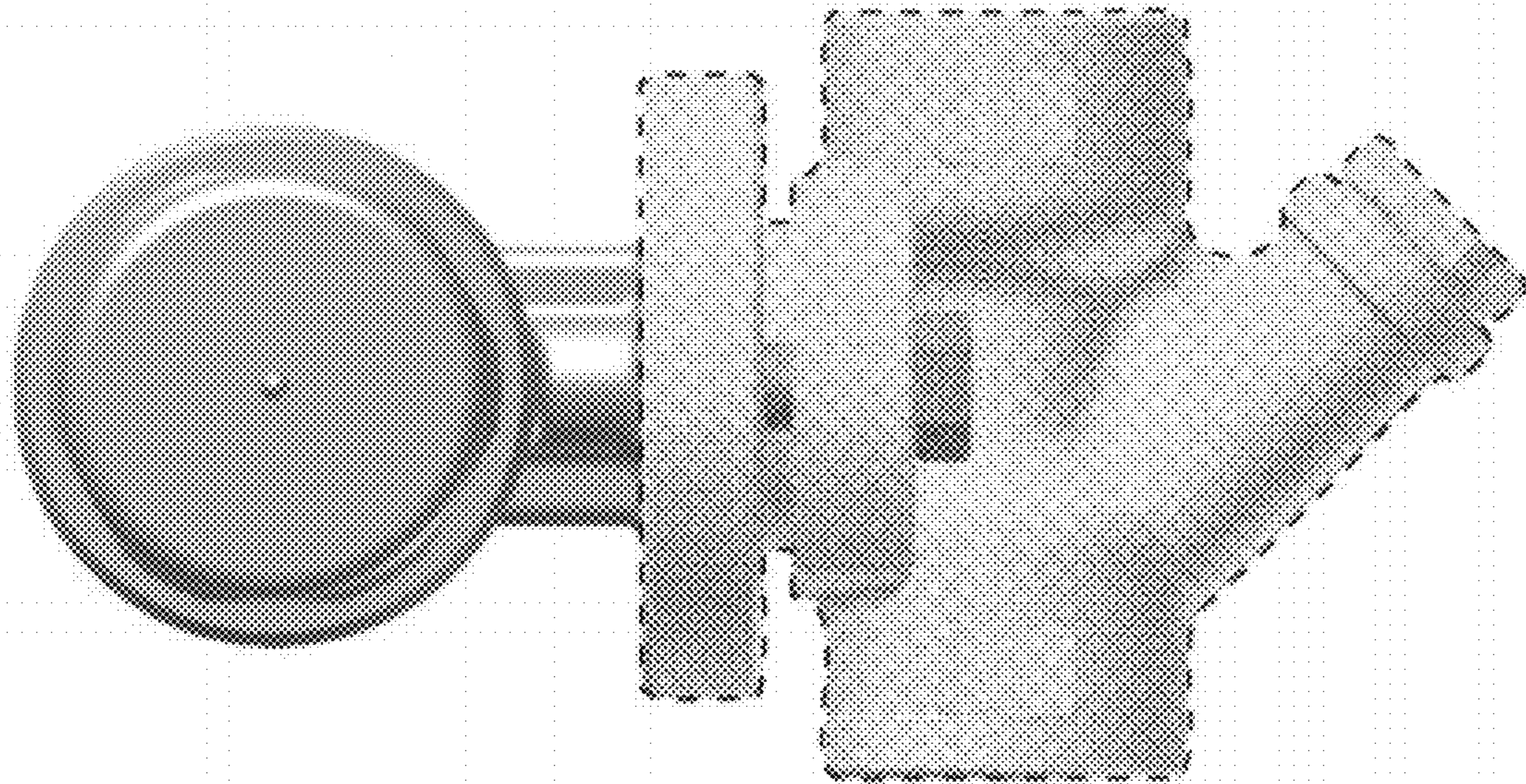


FIG. 6

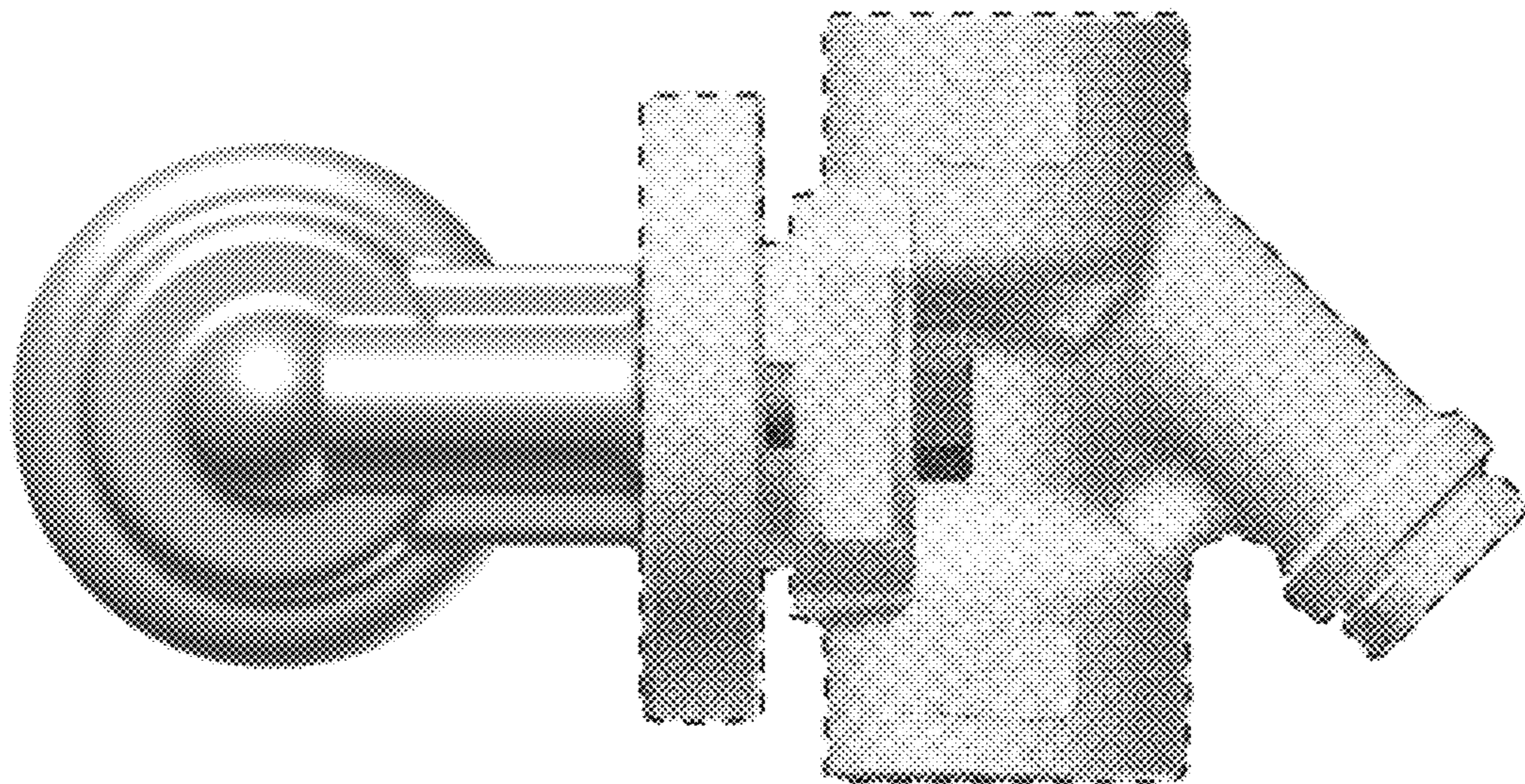


FIG. 7