

US00D666695S

(12) **United States Design Patent**
Kulig et al.

(10) **Patent No.:** **US D666,695 S**

(45) **Date of Patent:** **** Sep. 4, 2012**

(54) **FAUCET**

(75) Inventors: **Zhigniew Kulig**, Wadworth, IL (US);
Angeletti Ruzza, Rieti (IT)

(73) Assignee: **Graff Faucets**, Milwaukee, WI (US)

(**) Term: **14 Years**

(21) Appl. No.: **29/401,870**

(22) Filed: **Sep. 16, 2011**

(51) **LOC (9) Cl.** **23-01**

(52) **U.S. Cl.** **D23/238**

(58) **Field of Classification Search** D23/238,
D23/241–243, 250, 252, 255, 257; 4/675–678;
137/801

See application file for complete search history.

(56) **References Cited**

U.S. PATENT DOCUMENTS

D510,978 S	10/2005	Kulig	
D511,201 S	11/2005	Kulig et al.	
D511,816 S	11/2005	Kulig	
D512,125 S	11/2005	Kulig	
D512,485 S	12/2005	Kulig	
D512,487 S	12/2005	Kulig et al.	
D512,488 S	12/2005	Kulig	
D513,310 S	12/2005	Kulig	
D514,201 S	1/2006	Kulig	
D517,170 S	3/2006	Kulig et al.	
D517,648 S	3/2006	Kulig et al.	
D517,655 S *	3/2006	Ogata et al.	D23/241
D518,877 S	4/2006	Kulig	
D520,119 S	5/2006	Kulig	
D524,417 S	7/2006	Kulig	
D525,346 S	7/2006	Kulig	

D529,586 S	10/2006	Kulig	
D529,994 S	10/2006	Kulig	
D546,421 S	7/2007	Kulig et al.	
D573,231 S	7/2008	Kulig	
D579,521 S	10/2008	Kulig	
D603,019 S *	10/2009	Flowers et al.	D23/238
D605,257 S *	12/2009	Flowers et al.	D23/238
D614,734 S	4/2010	Kulig	
D619,221 S	7/2010	Kulig	
D621,478 S	8/2010	Kulig	
D624,991 S	10/2010	Kulig	
D625,392 S	10/2010	Kulig	
D632,369 S	2/2011	Kulig	
D636,463 S	4/2011	Kulig	
D645,941 S *	9/2011	Ando et al.	D23/242
D646,757 S *	10/2011	Gessi	D23/238

* cited by examiner

Primary Examiner — Robert Delehanty

(74) *Attorney, Agent, or Firm* — Boyle Fredrickson, S.C.

(57) **CLAIM**

The ornamental design for a faucet, as shown and described.

DESCRIPTION

FIG. 1 is an isometric view of a faucet incorporating our new design, viewed from in front of, above, and from the right side of the faucet;

FIG. 2 is a front elevation view thereof;

FIG. 3 is a right-side elevation view thereof;

FIG. 4 is a left-side elevation view thereof;

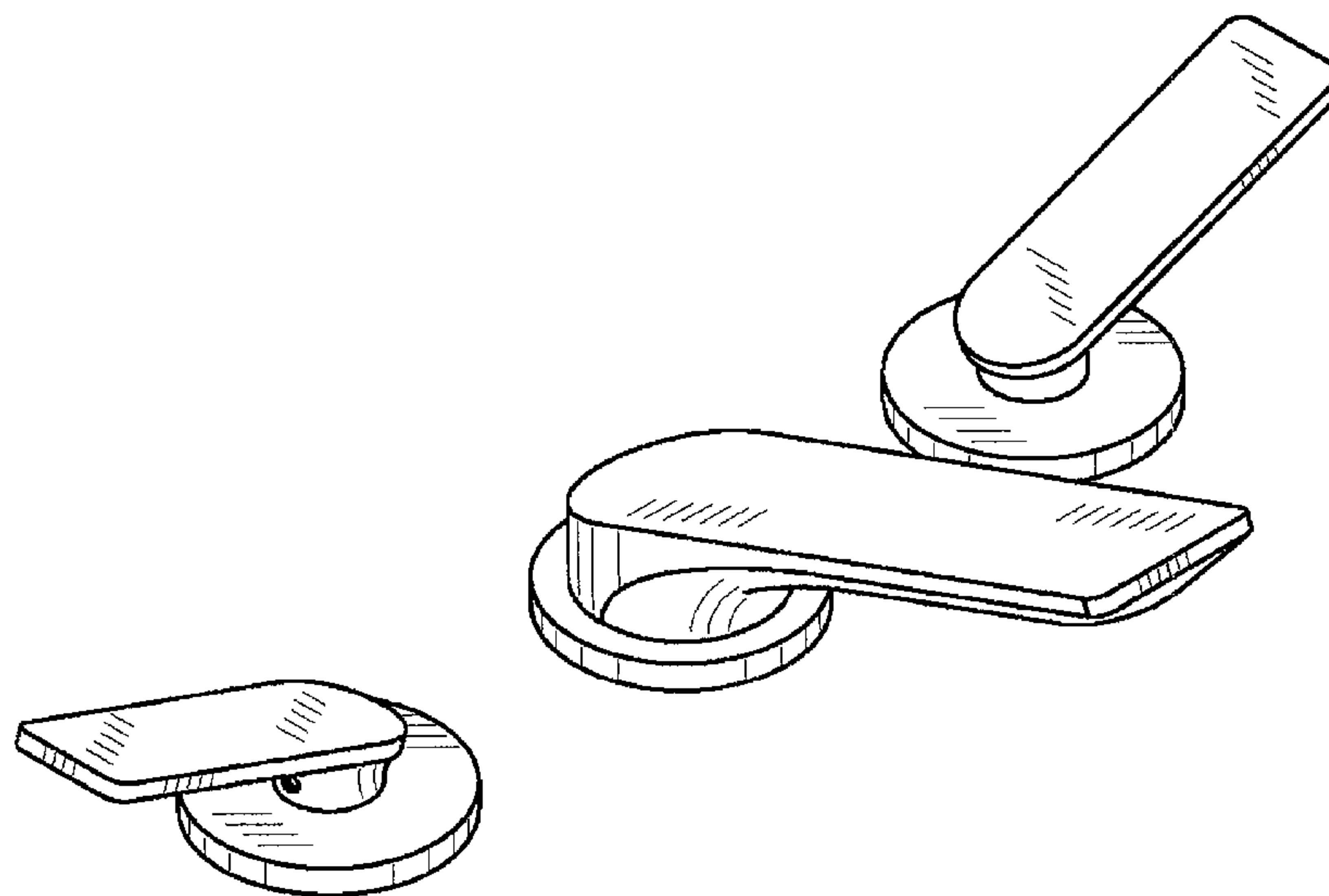
FIG. 5 is a rear elevation view thereof;

FIG. 6 is a top plan view thereof; and,

FIG. 7 is a bottom plan view thereof.

The broken lines in FIGS. 2-4 and 7 are for illustrative purposes only and form no part of the claimed design.

1 Claim, 7 Drawing Sheets



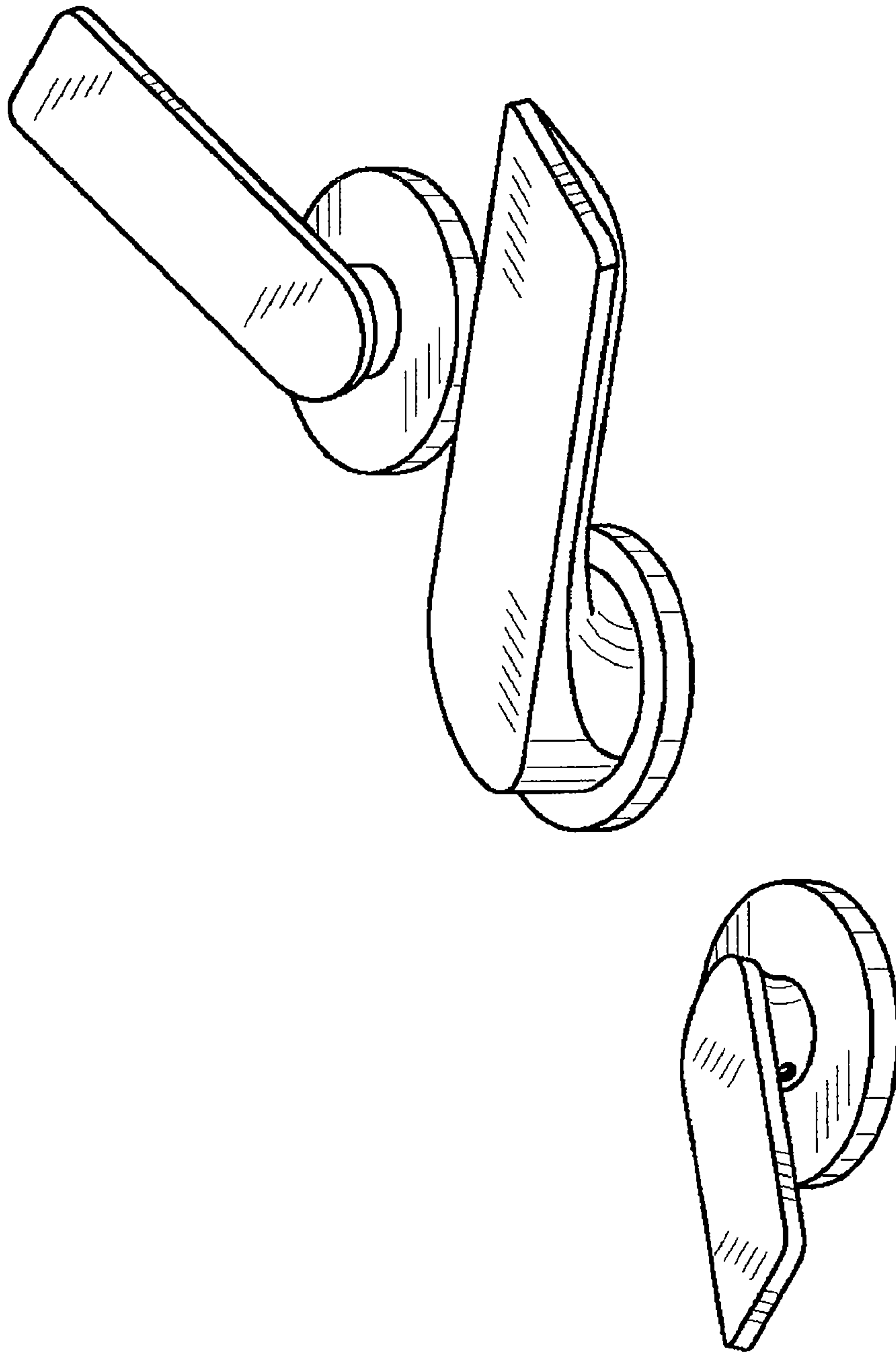


FIG. 1

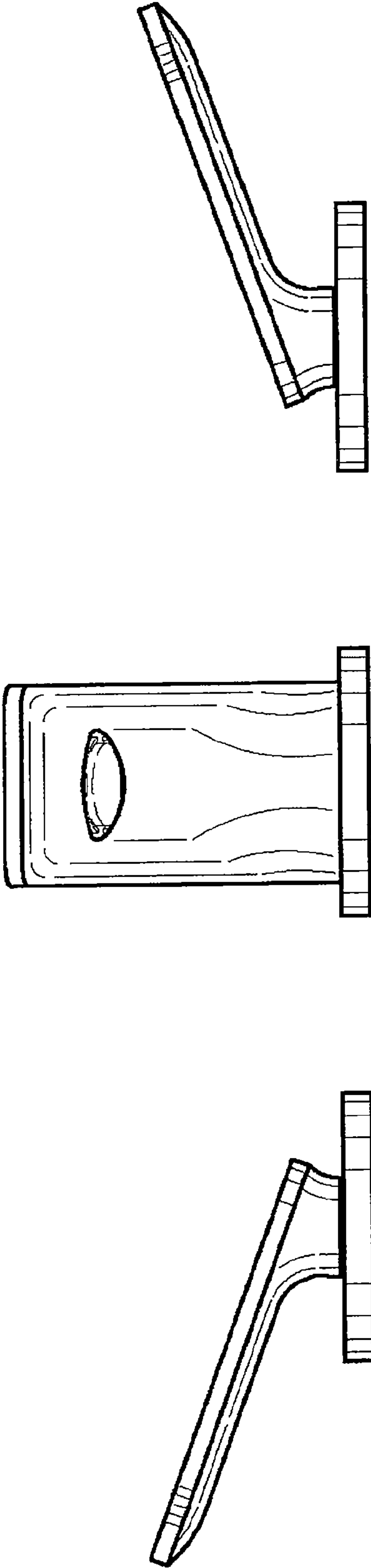


FIG. 2

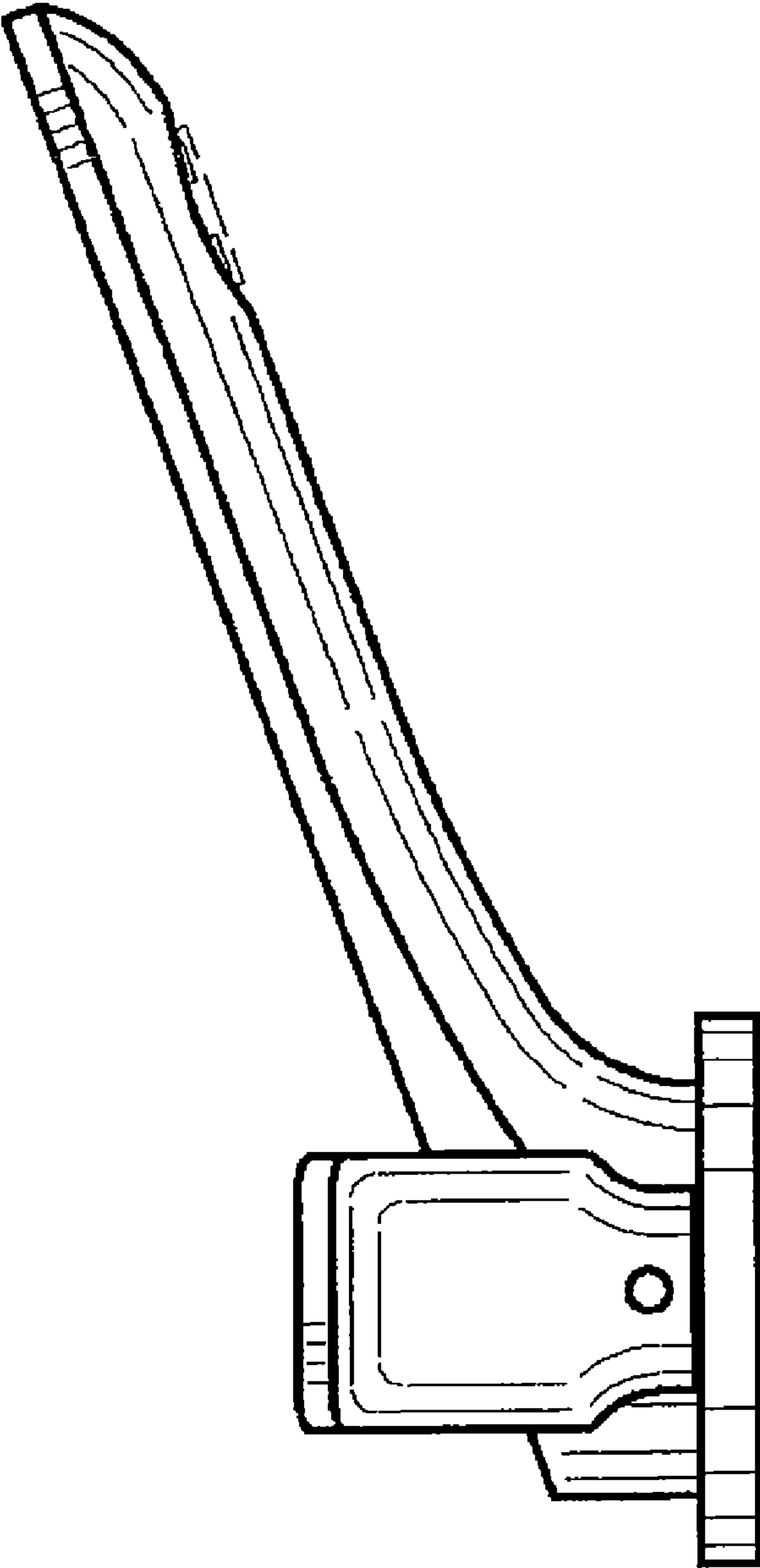


FIG. 3

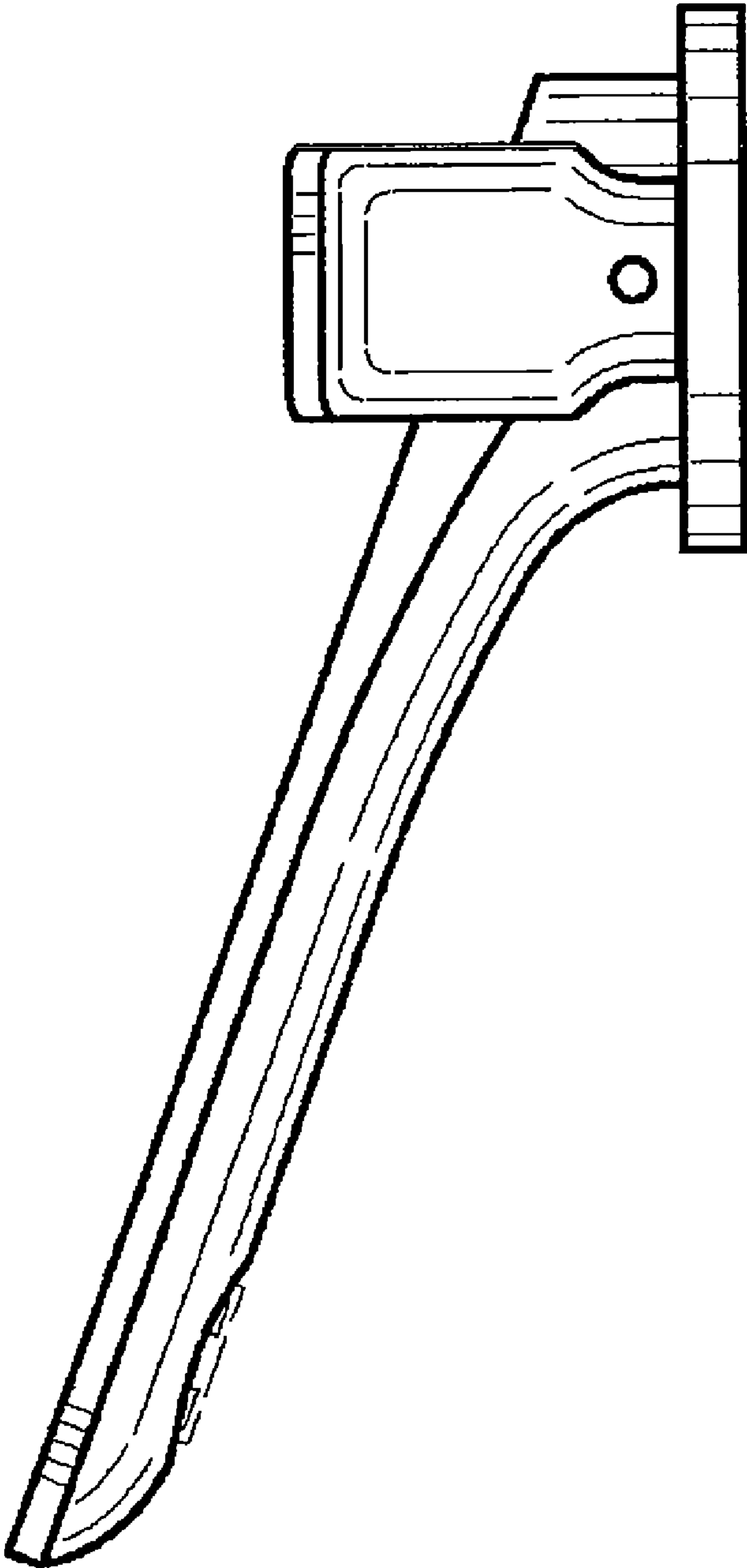


FIG. 4

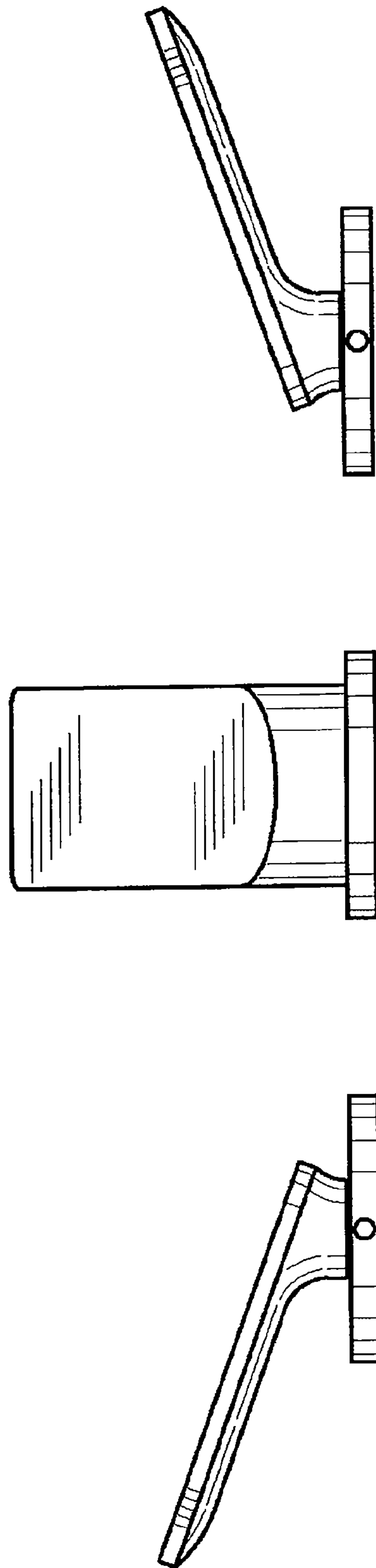


FIG. 5

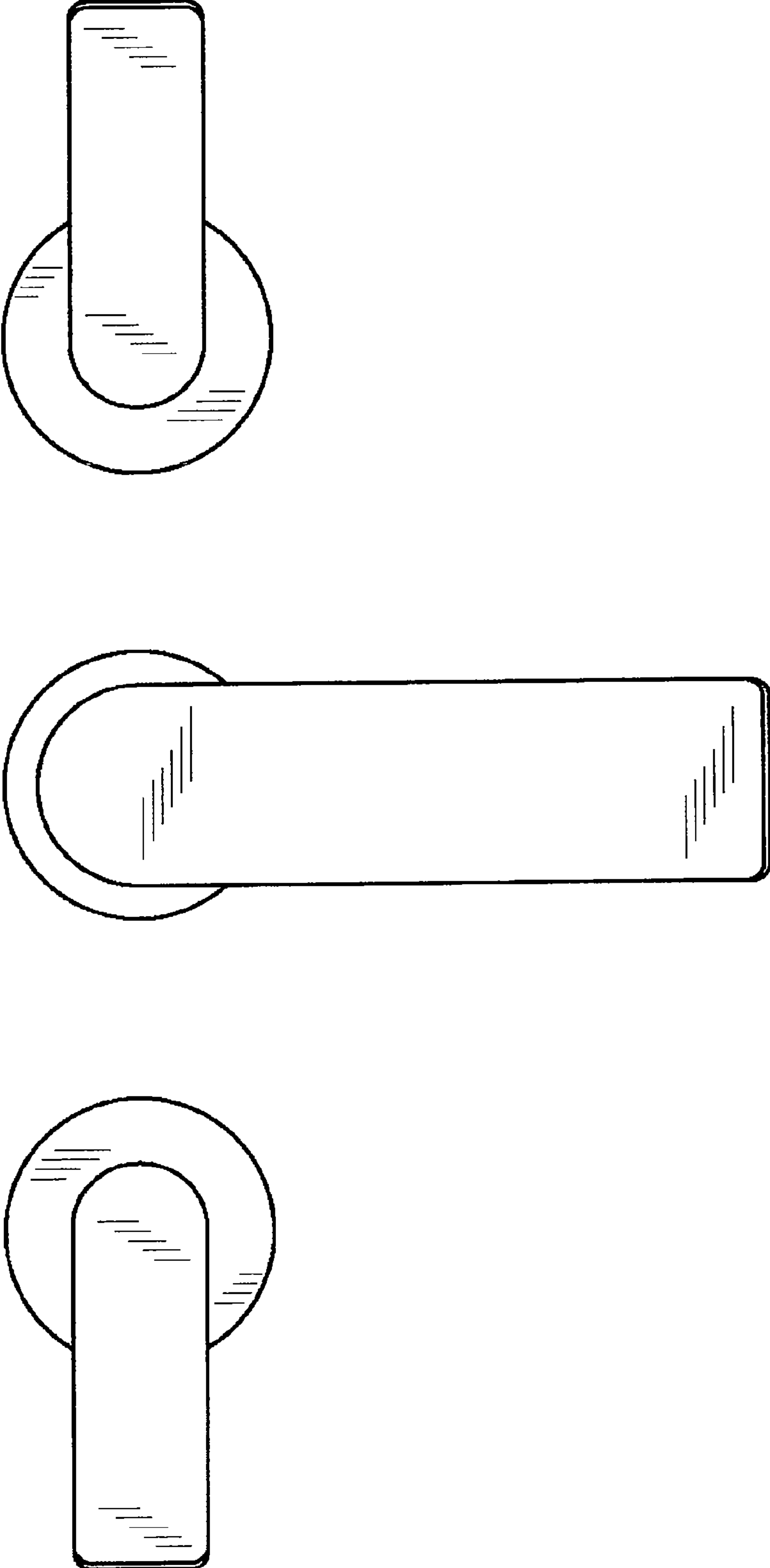


FIG. 6

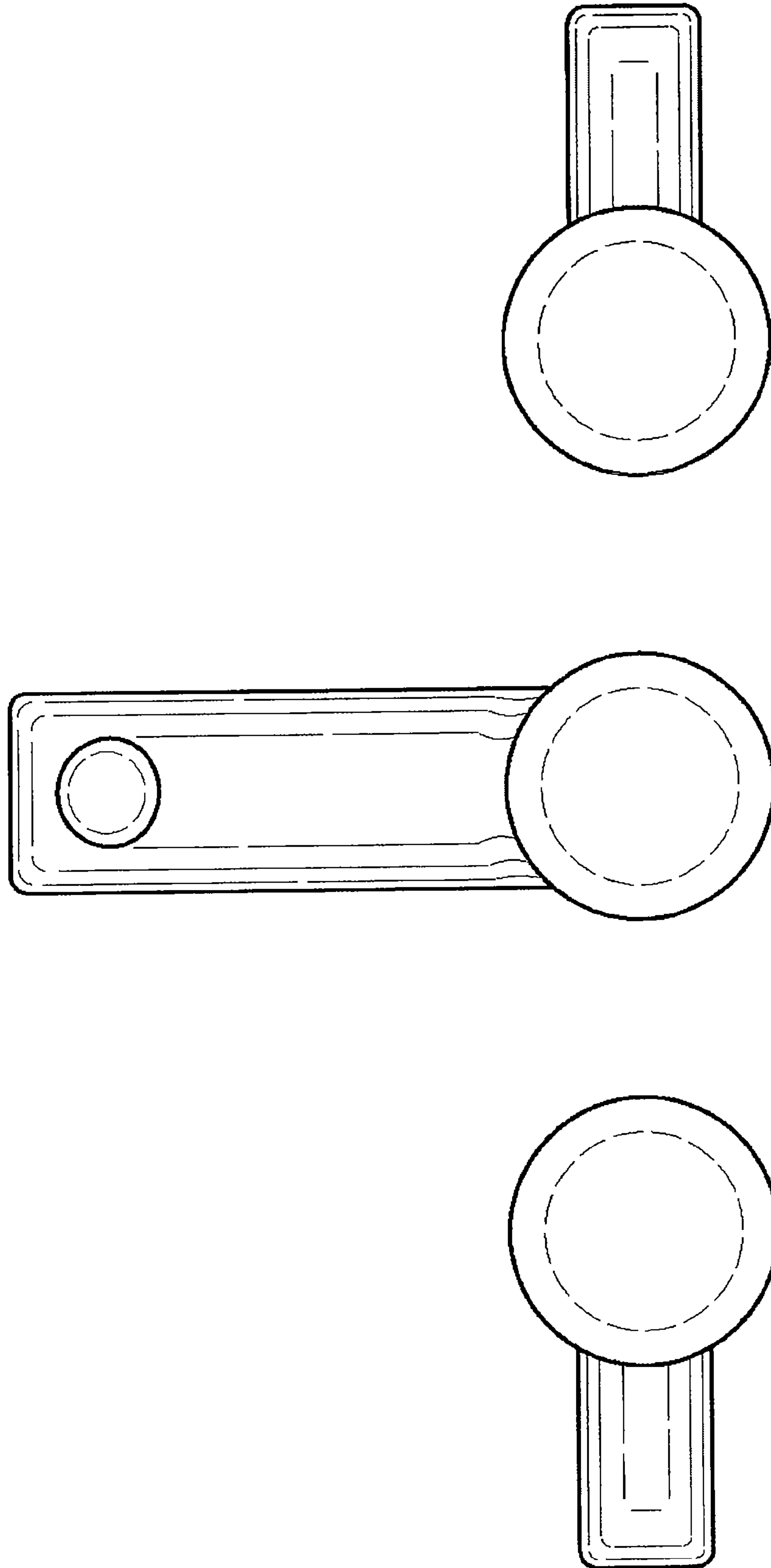


FIG. 7