



US00D66691S

(12) **United States Design Patent**
Higgins

(10) **Patent No.:** **US D666,691 S**

(45) **Date of Patent:** **** Sep. 4, 2012**

(54) **POLY BOTTLE**

(75) Inventor: **Scott Higgins**, Ozark, MO (US)

(73) Assignee: **Custom Metalcraft, Inc.**, Springfield, MO (US)

(**) Term: **14 Years**

(21) Appl. No.: **29/393,157**

(22) Filed: **May 31, 2011**

(51) **LOC (9) Cl.** **23-01**

(52) **U.S. Cl.** **D23/202**

(58) **Field of Classification Search** D23/202-205;
220/582, 586, 1.5, 4.12, 4.13; 206/386

See application file for complete search history.

(56) **References Cited**

U.S. PATENT DOCUMENTS

4,173,288	A	11/1979	Schutz	
4,580,680	A *	4/1986	Wind	206/386
D298,450	S *	11/1988	Thomas et al.	D23/202
5,111,937	A	5/1992	Schutz	
D332,130	S *	12/1992	Przytulla	D23/202
D336,327	S	6/1993	Zorb et al.	

(Continued)

Primary Examiner — Robin V Webster

(74) *Attorney, Agent, or Firm* — Hovey Williams LLP

(57) **CLAIM**

The ornamental design for a poly bottle, as shown and described.

DESCRIPTION

FIG. 1 is an upper front perspective of a poly bottle embodying my design;

FIG. 2 is a lower front perspective of the poly bottle shown in FIG. 1;

FIG. 3 is a front elevation of the poly bottle shown in FIGS. 1 and 2;

FIG. 4 is a right side elevation of the poly bottle shown in FIGS. 1-3, with the opposite side elevation being a mirror image thereof;

FIG. 5 is a rear elevation of the poly bottle shown in FIGS. 1-4;

FIG. 6 is a top view of the poly bottle shown in FIGS. 1-5;

FIG. 7 is a bottom view of the poly bottle shown in FIGS. 1-6;

FIG. 8 is an upper front perspective of the poly bottle shown in FIGS. 1-7, but with the pallet removed;

FIG. 9 is a lower front perspective of the poly bottle shown in FIG. 8;

FIG. 10 is a front elevation of the bottle poly shown in FIGS. 8 and 9;

FIG. 11 is a right side elevation of the poly bottle shown in FIGS. 8-10, with the opposite side elevation being a mirror image thereof;

FIG. 12 is a rear elevation of the poly bottle shown in FIGS. 8-11;

FIG. 13 is a top view of the poly bottle shown in FIGS. 8-12;

FIG. 14 is a bottom view of the poly bottle shown in FIGS. 8-13;

FIG. 15 is an upper front perspective of the pallet of the poly bottle shown in FIGS. 1-7;

FIG. 16 is a lower front perspective of the pallet shown in FIG. 15;

FIG. 17 is a front elevation of the pallet shown in FIGS. 15 and 16;

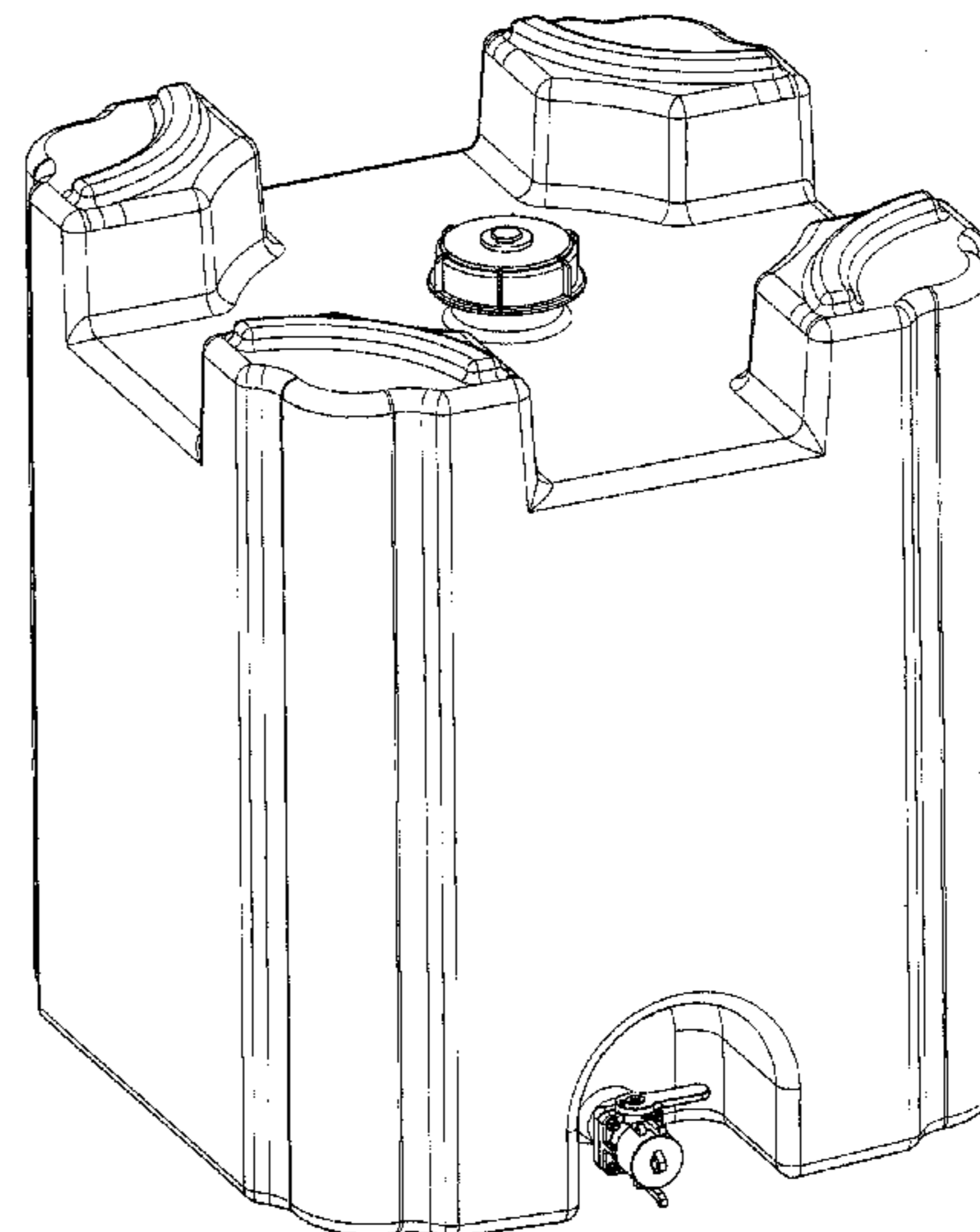
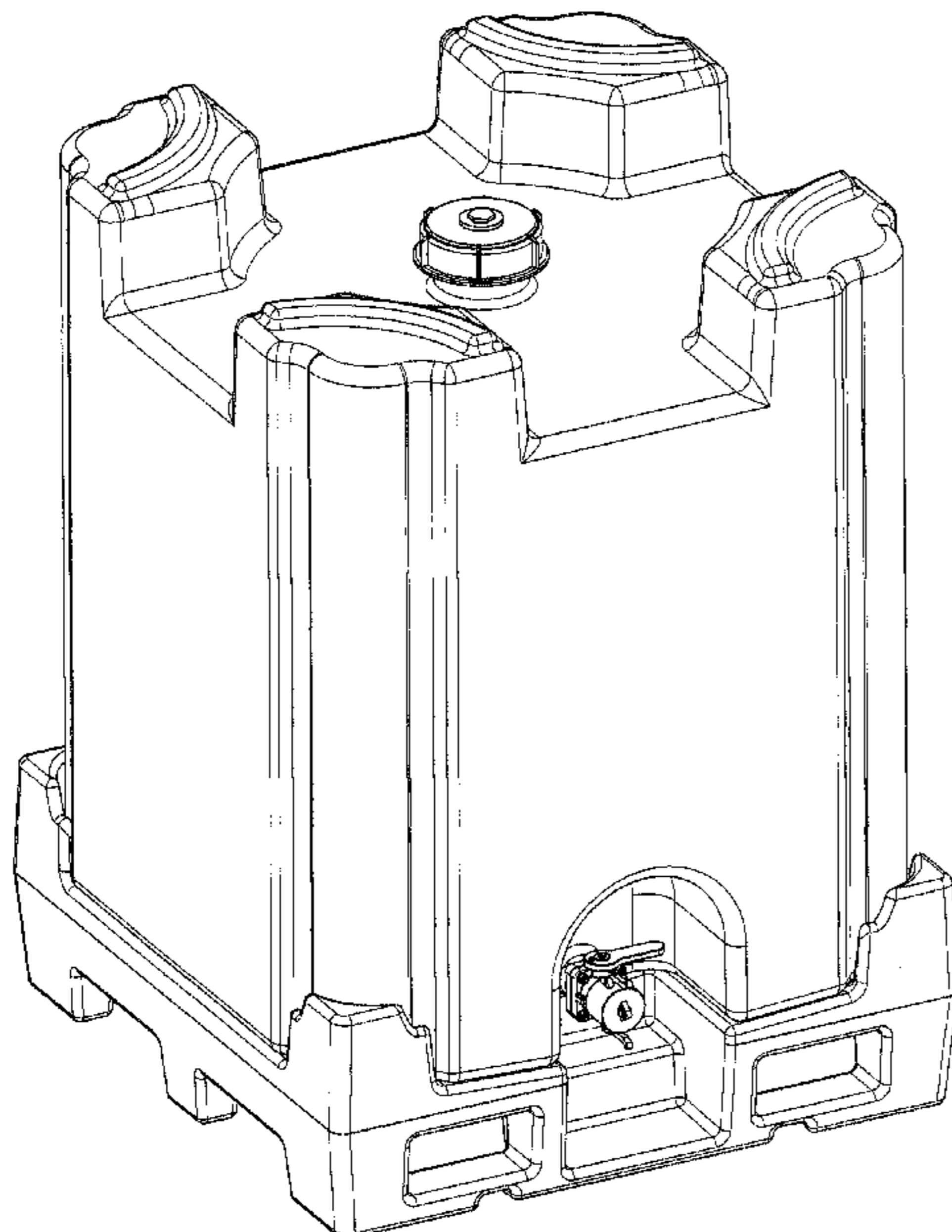
FIG. 18 is a right side elevation of the pallet shown in FIGS. 15-17, with the opposite side elevation being a mirror image thereof;

FIG. 19 is a rear elevation of the pallet shown in FIGS. 15-18;

FIG. 20 is a top view of the pallet shown in FIGS. 15-19; and,

FIG. 21 is a bottom view of the pallet shown in FIGS. 15-20.

1 Claim, 13 Drawing Sheets



US D666,691 S

Page 2

U.S. PATENT DOCUMENTS			
D337,367	S *	7/1993	McKenzie et al. D23/202
5,253,777	A	10/1993	Schutz
5,259,509	A	11/1993	Boal, Jr. et al.
5,316,174	A	5/1994	Schutz
D394,302	S *	5/1998	Harris et al. D23/202
5,794,818	A	8/1998	Bromwell et al.
D418,196	S *	12/1999	Faltys et al. D23/202
6,244,459	B1	6/2001	Bouc et al.
6,318,598	B1	11/2001	Schmitt
6,484,899	B1	11/2002	Garton
6,719,162	B2	4/2004	Przytulla
7,036,662	B2 *	5/2006	Schutz 206/386
7,108,133	B2	9/2006	Przytulla
7,159,718	B2 *	1/2007	Cassina 206/524.3
D550,325	S *	9/2007	Claussen et al. D23/202
7,575,118	B2 *	8/2009	Richter et al. 206/386
7,861,877	B2	1/2011	Higgins
7,878,327	B2 *	2/2011	Cassina 206/386
D634,395	S *	3/2011	Raz et al. D23/202
7,978,067	B2	7/2011	Wagner et al.
2006/0032854	A1	2/2006	Schutz
2007/0056975	A1	3/2007	Long et al.
2009/0050631	A1	2/2009	Redmond et al.

* cited by examiner

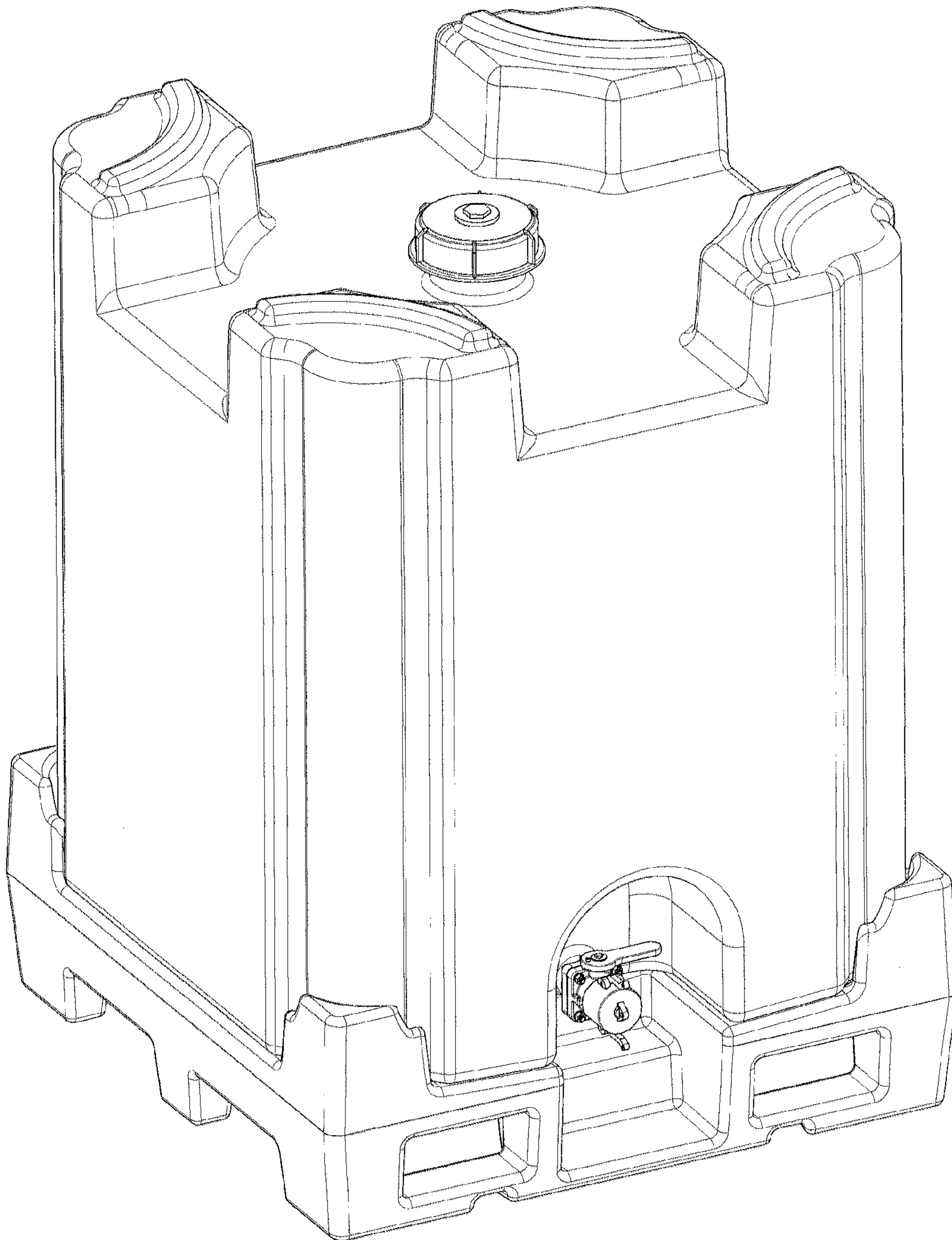


Fig. 1.

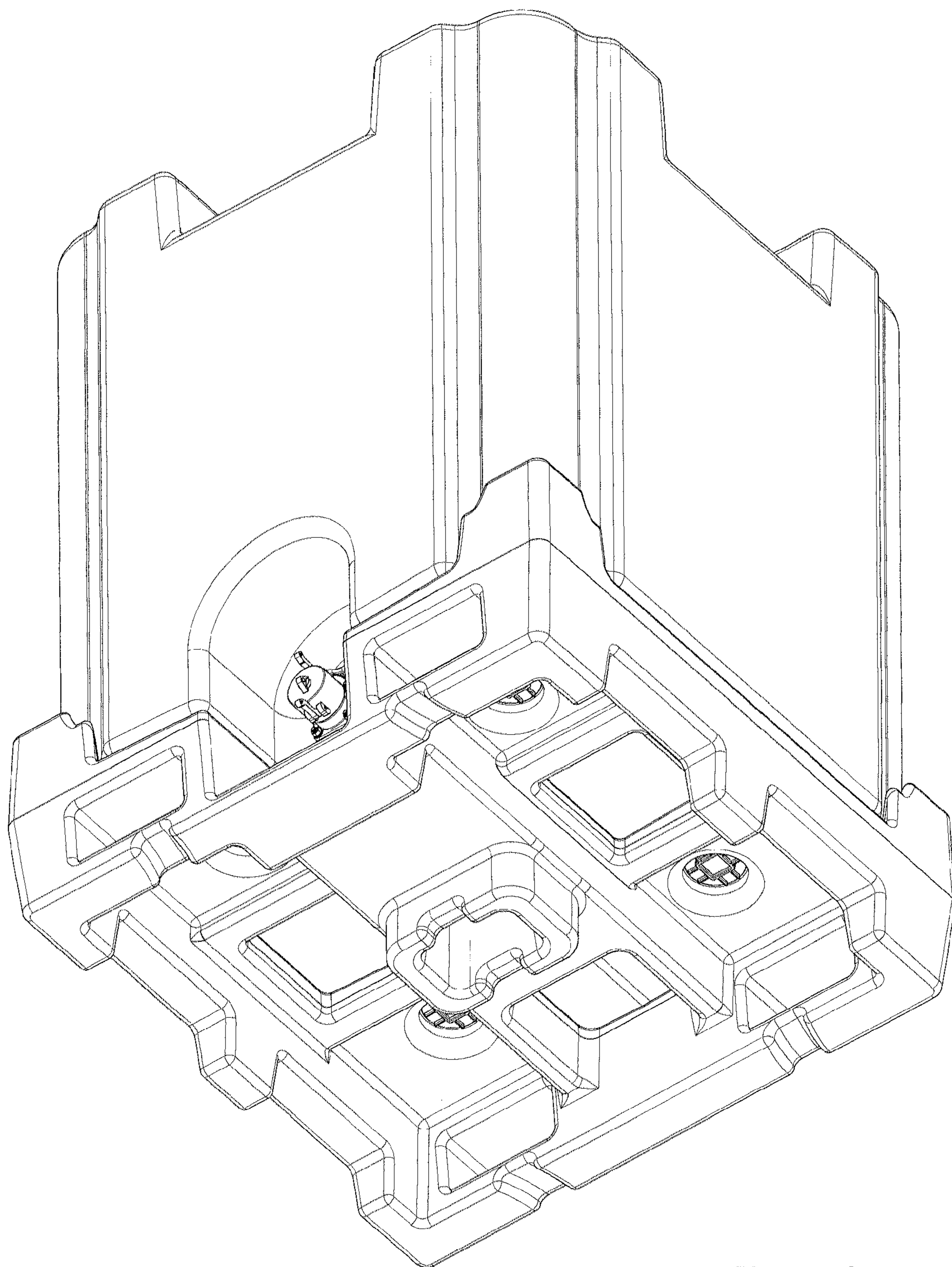


Fig. 2.

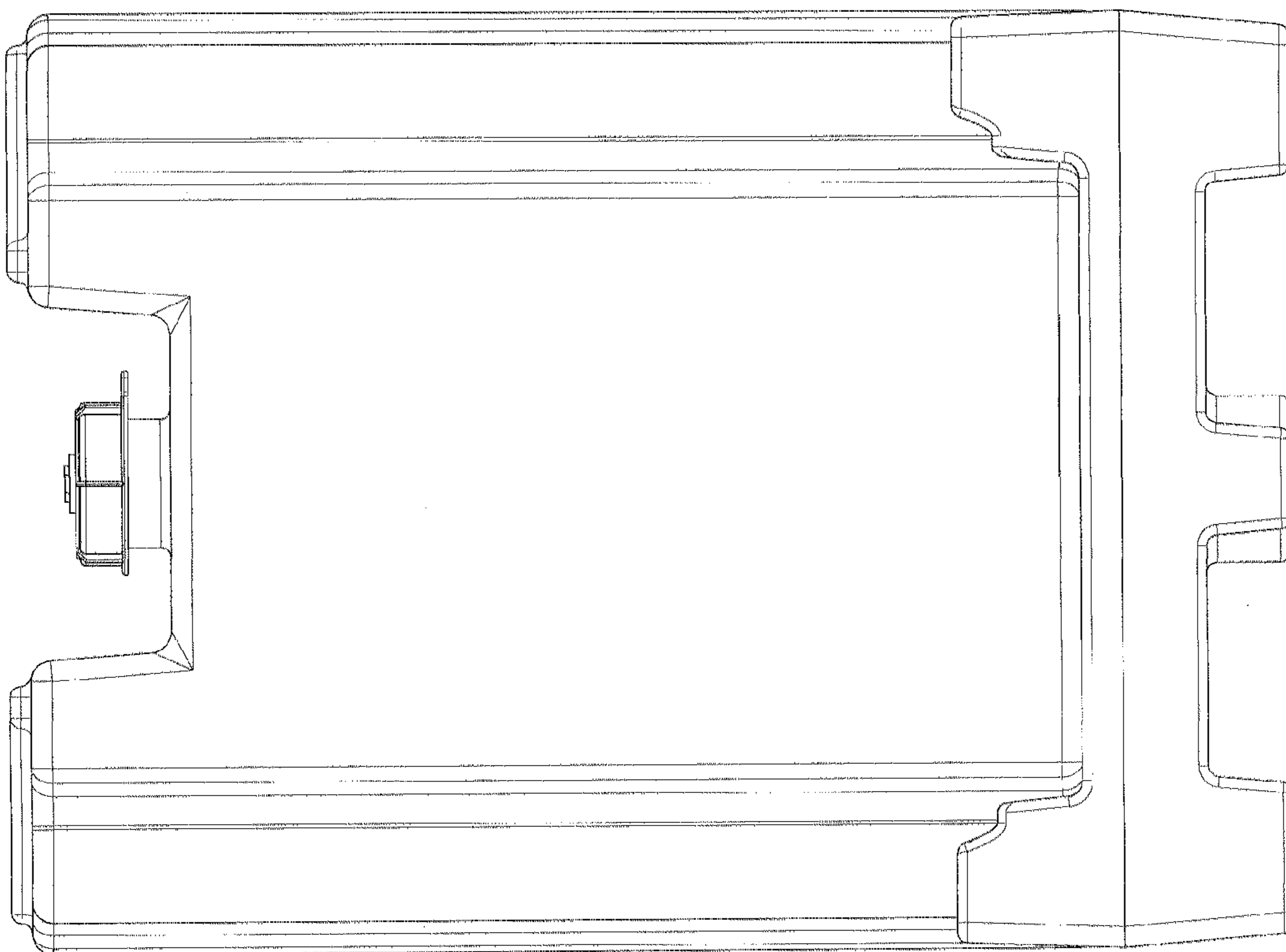


Fig. 4.

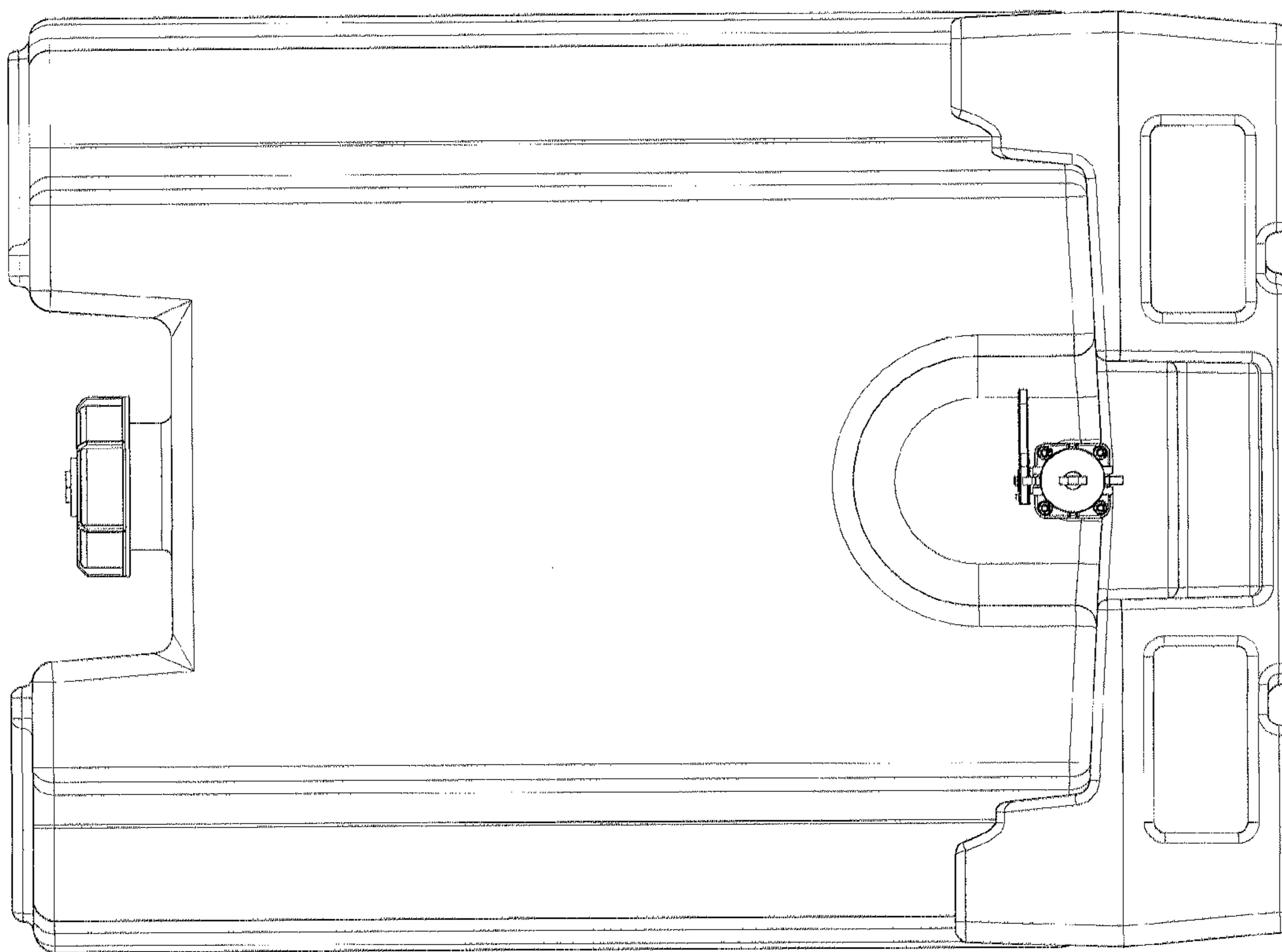


Fig. 3.

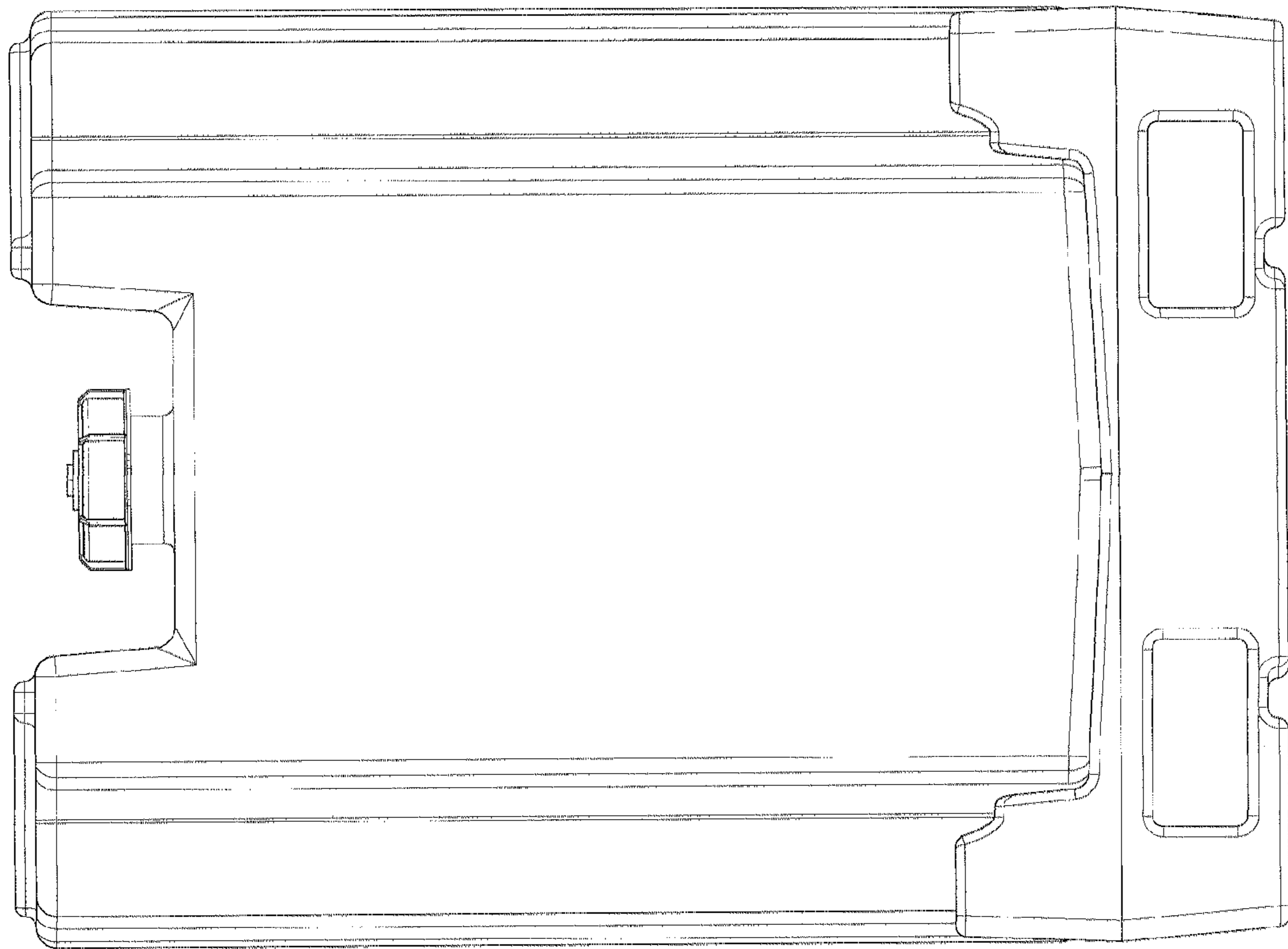


Fig. 5.

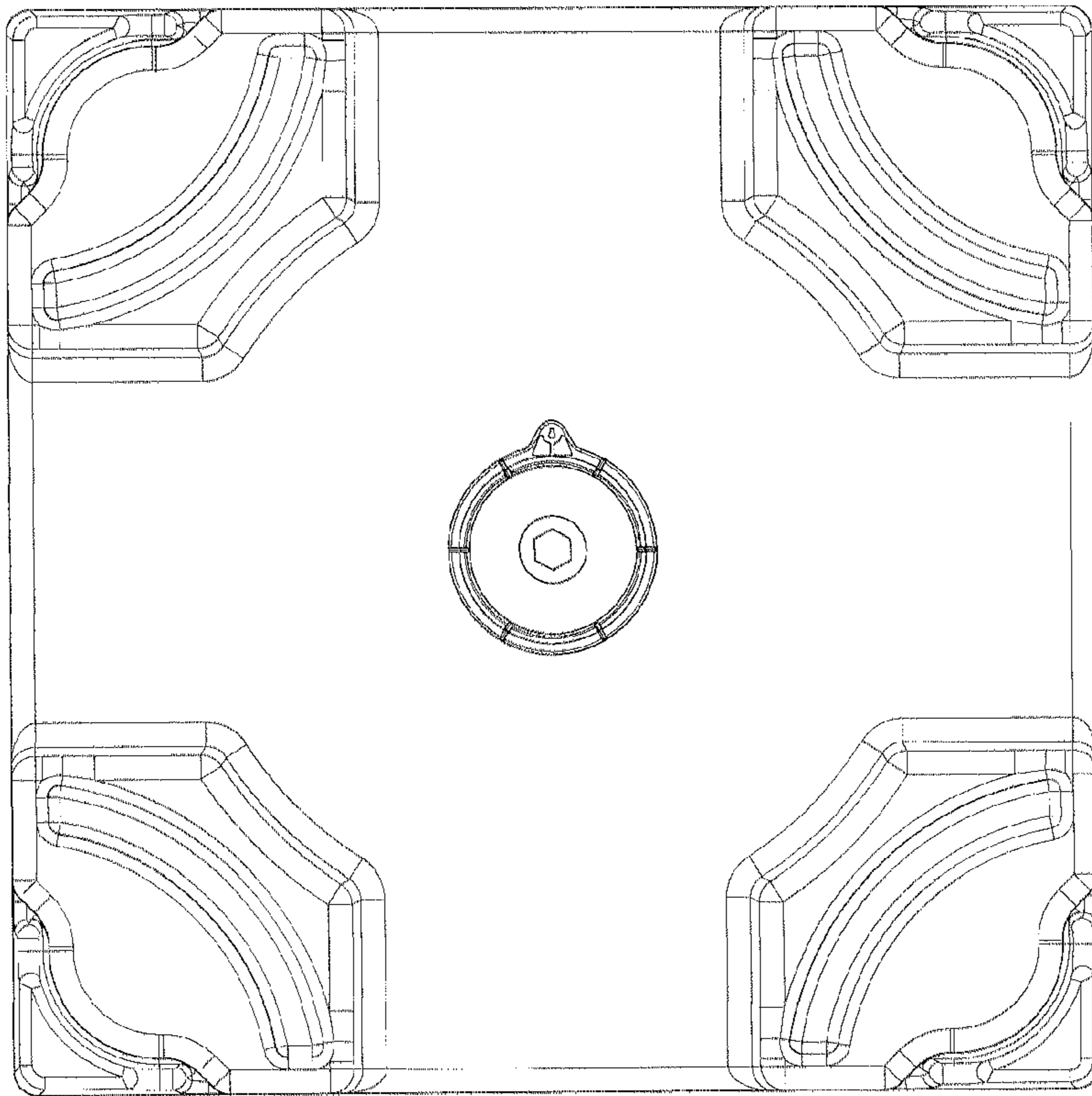


Fig. 6.

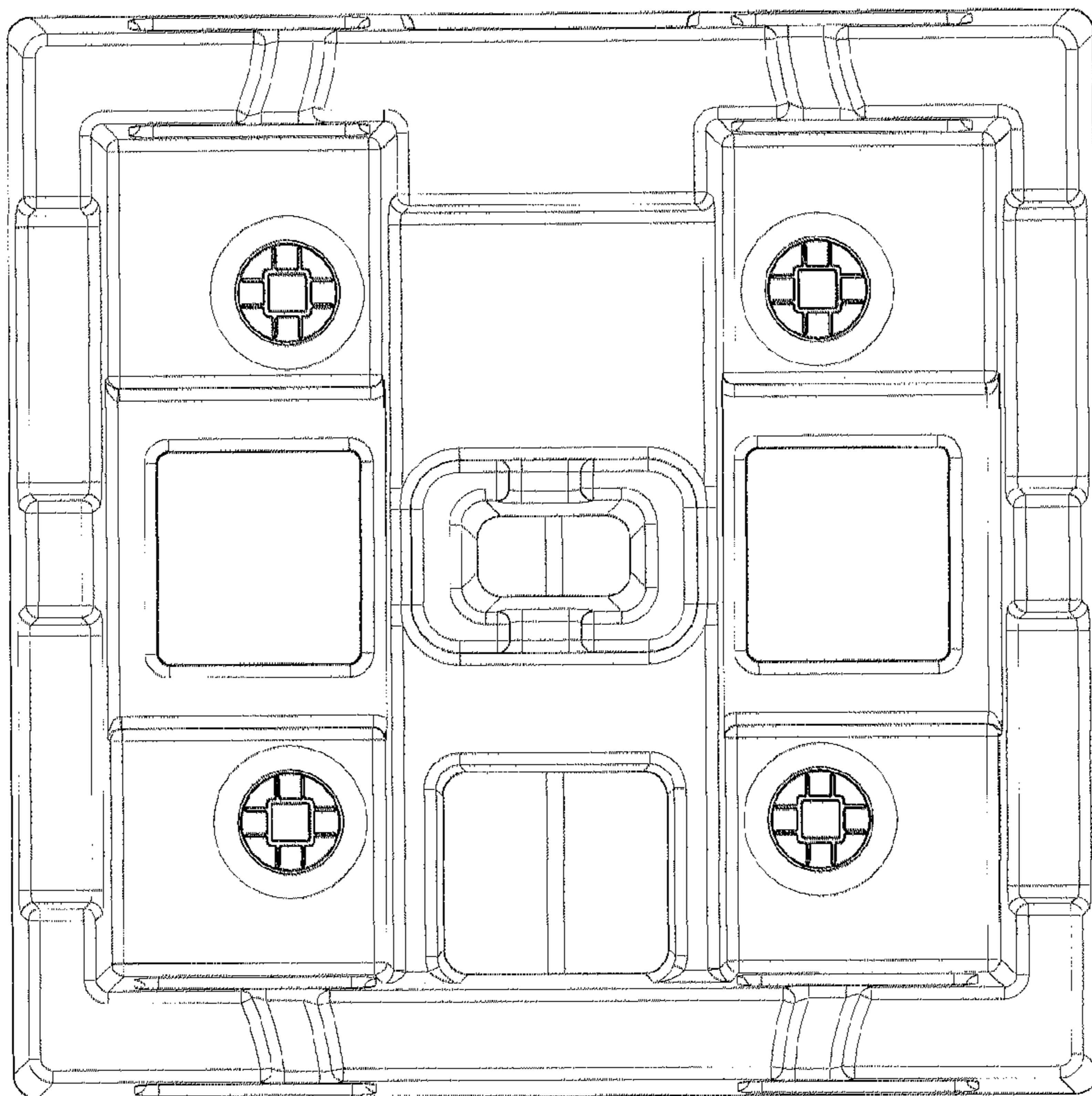


Fig. 7.

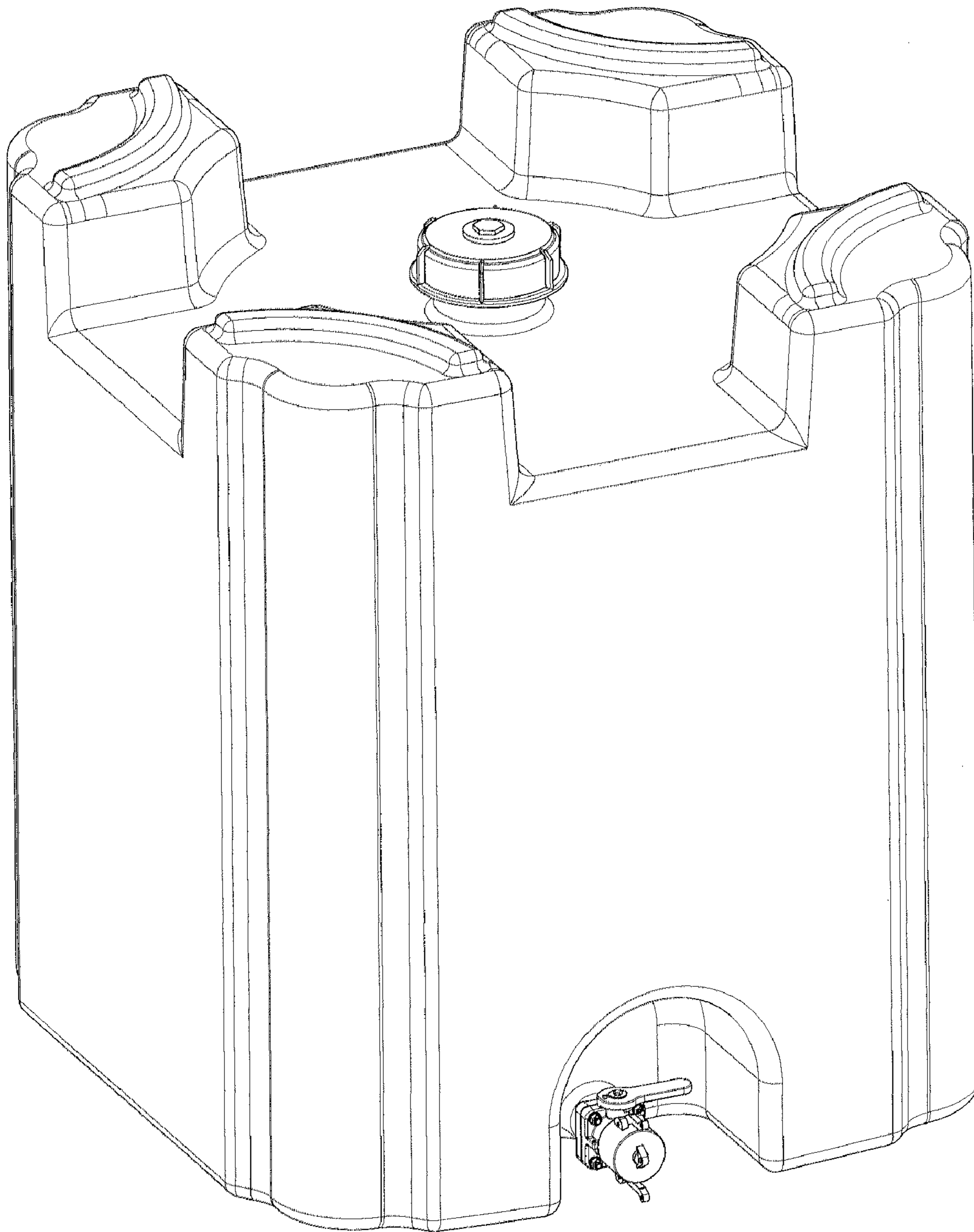


Fig. 8.

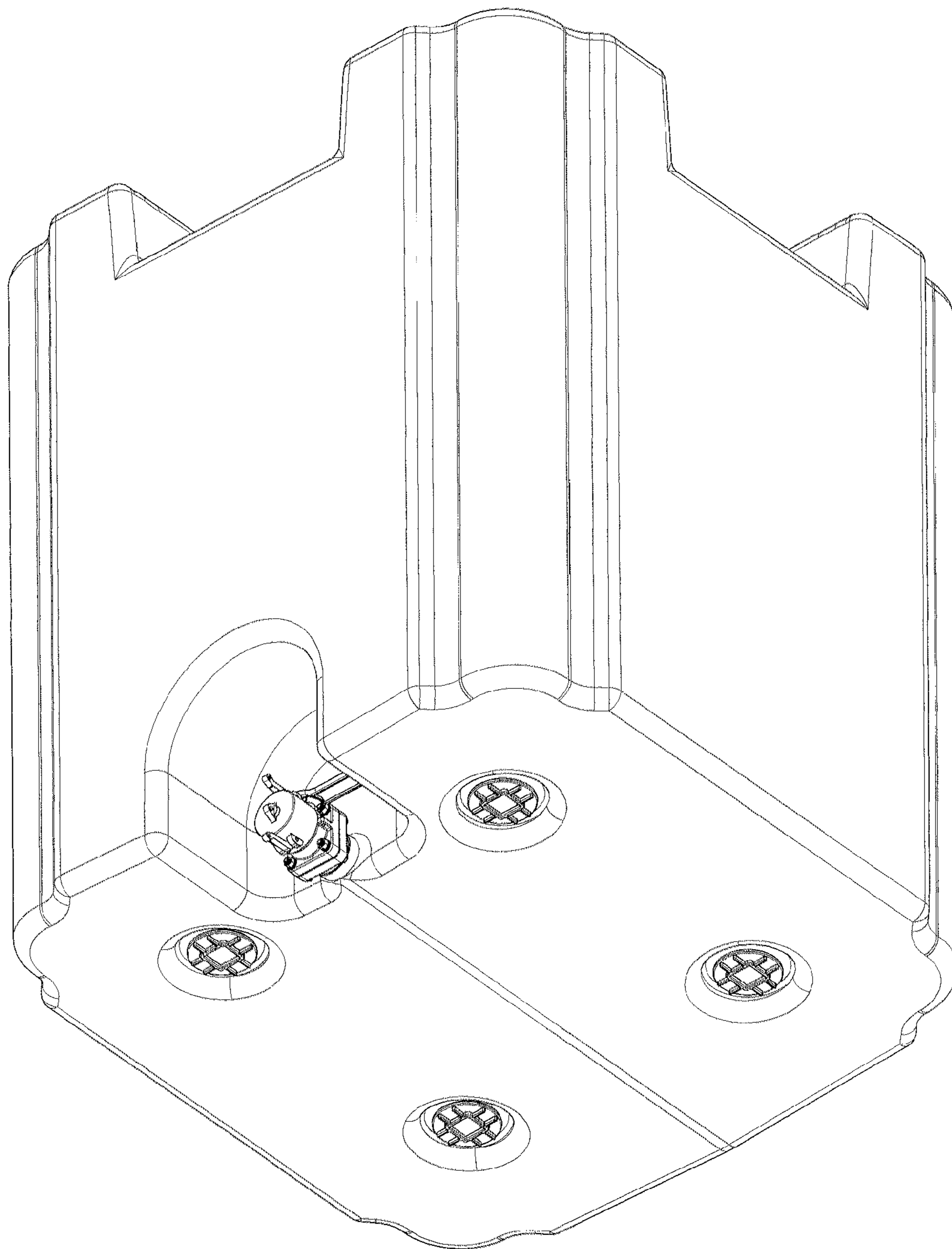


Fig. 9.

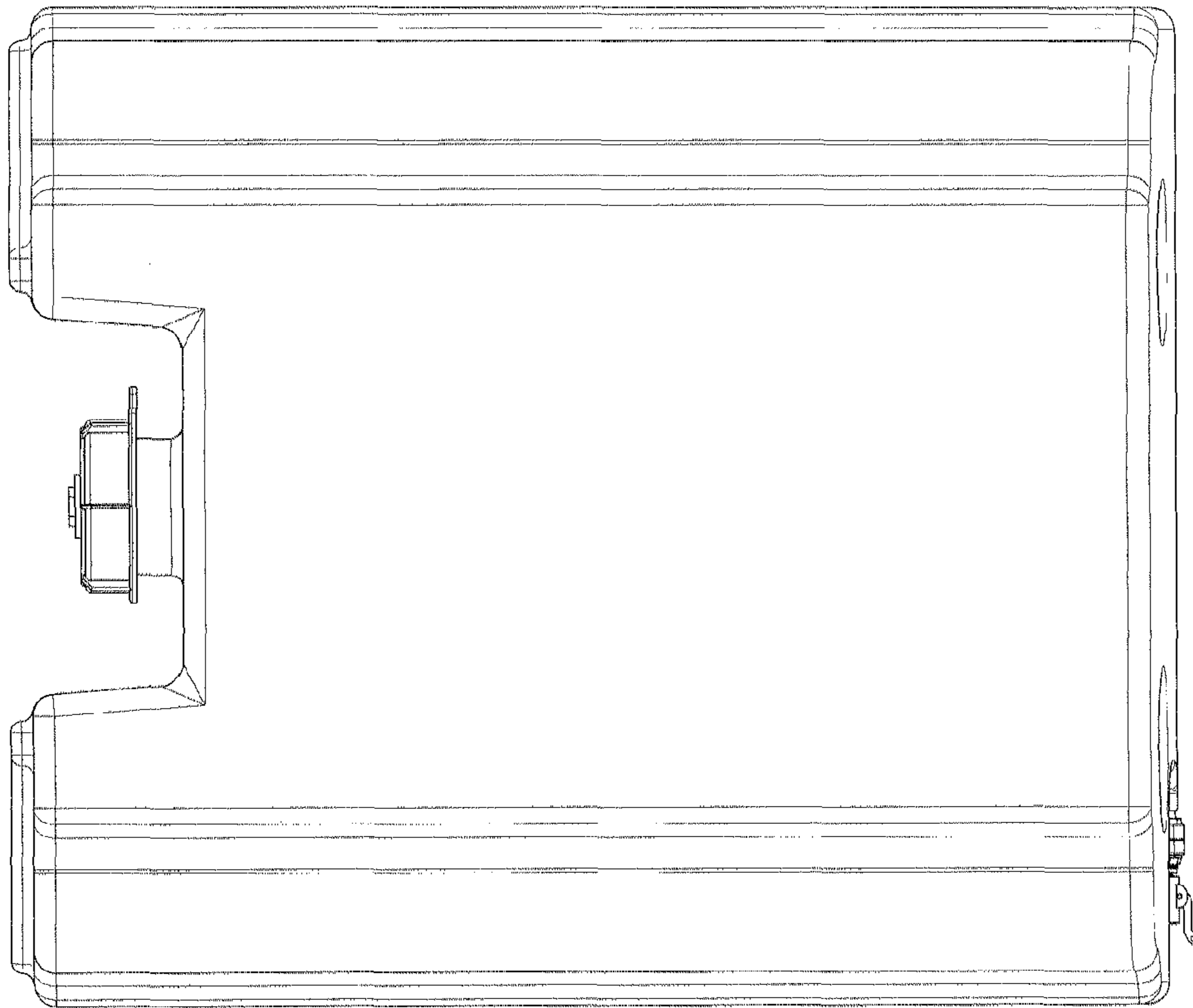


Fig. 11.

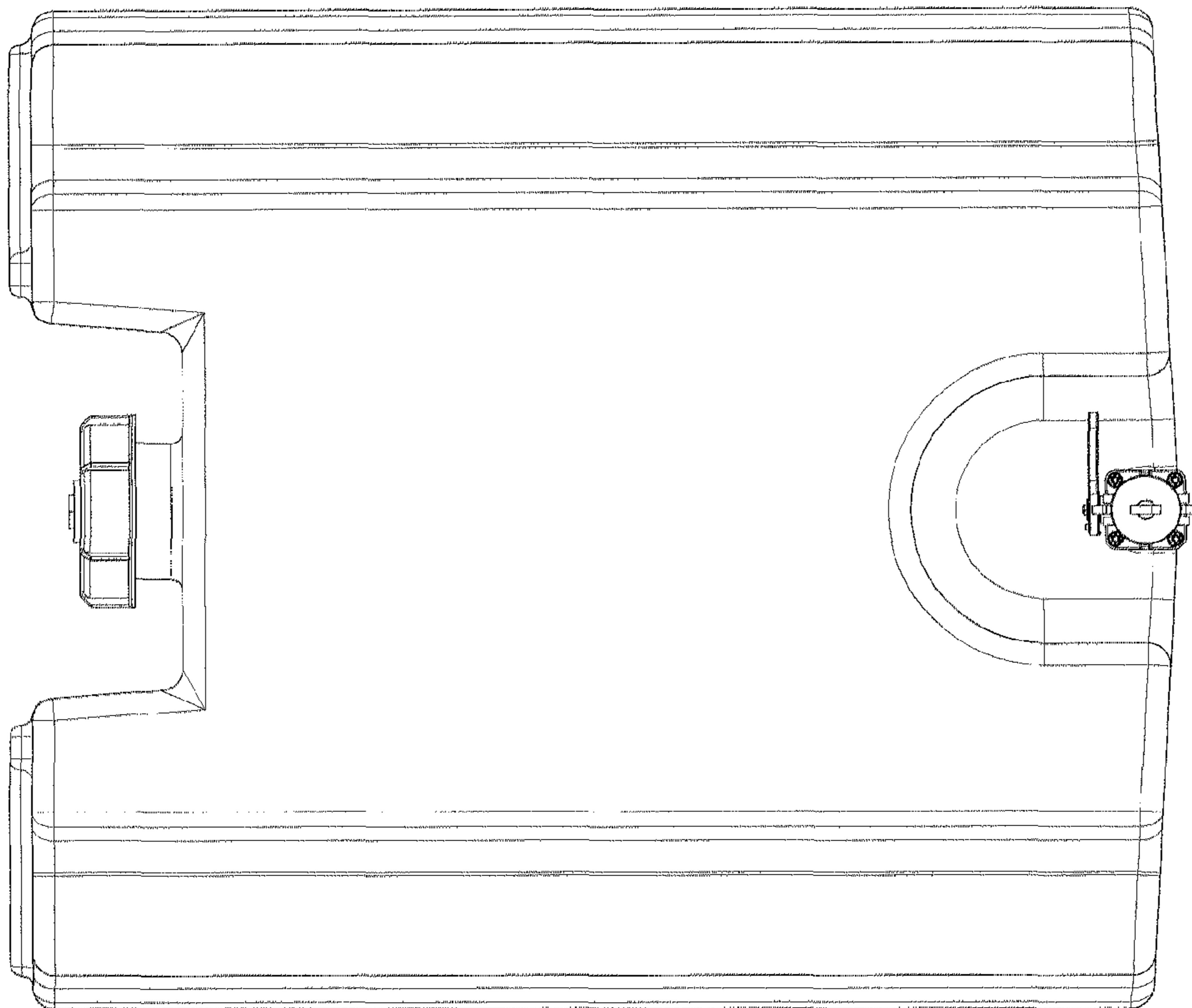


Fig. 10.

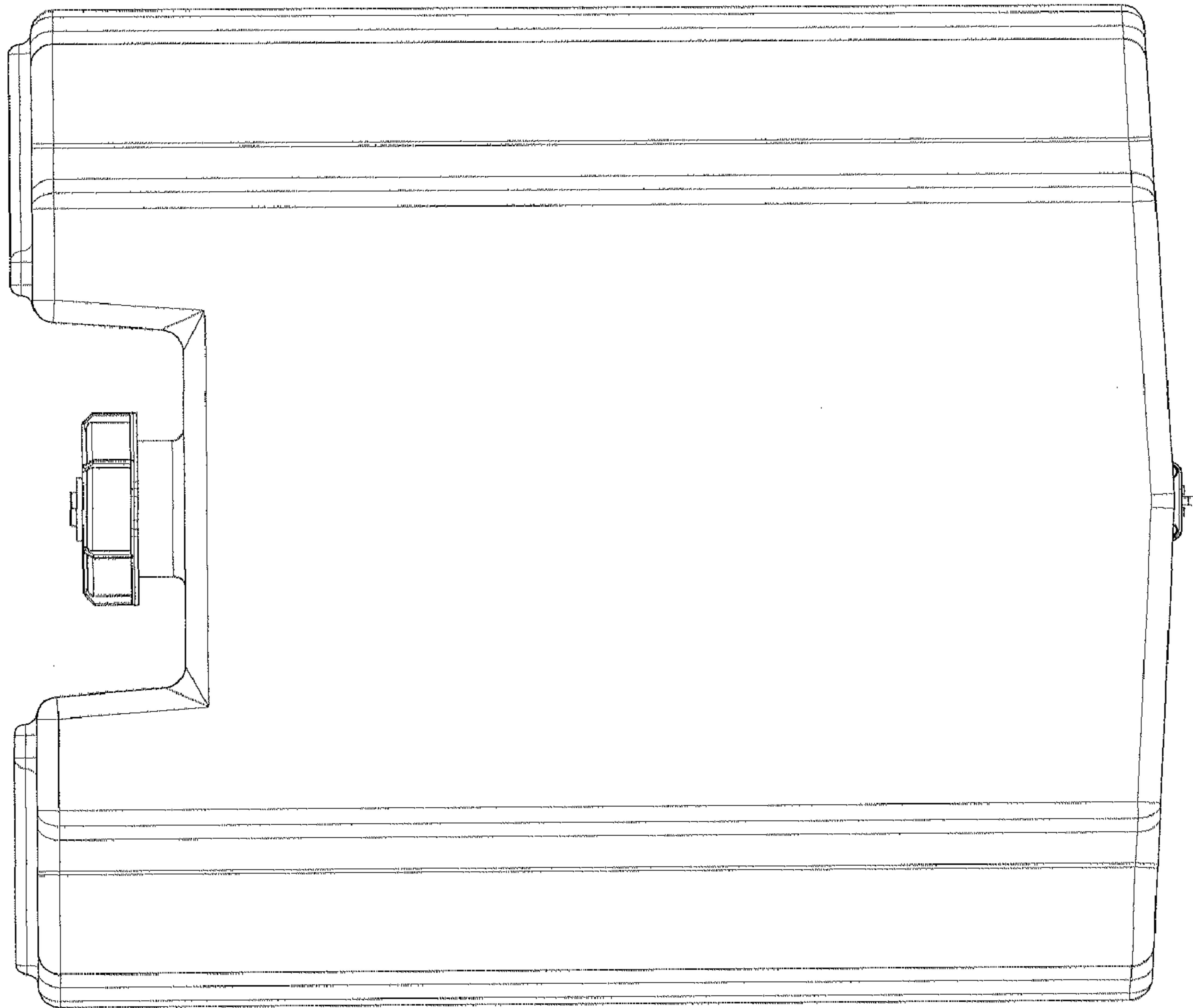


Fig. 12.

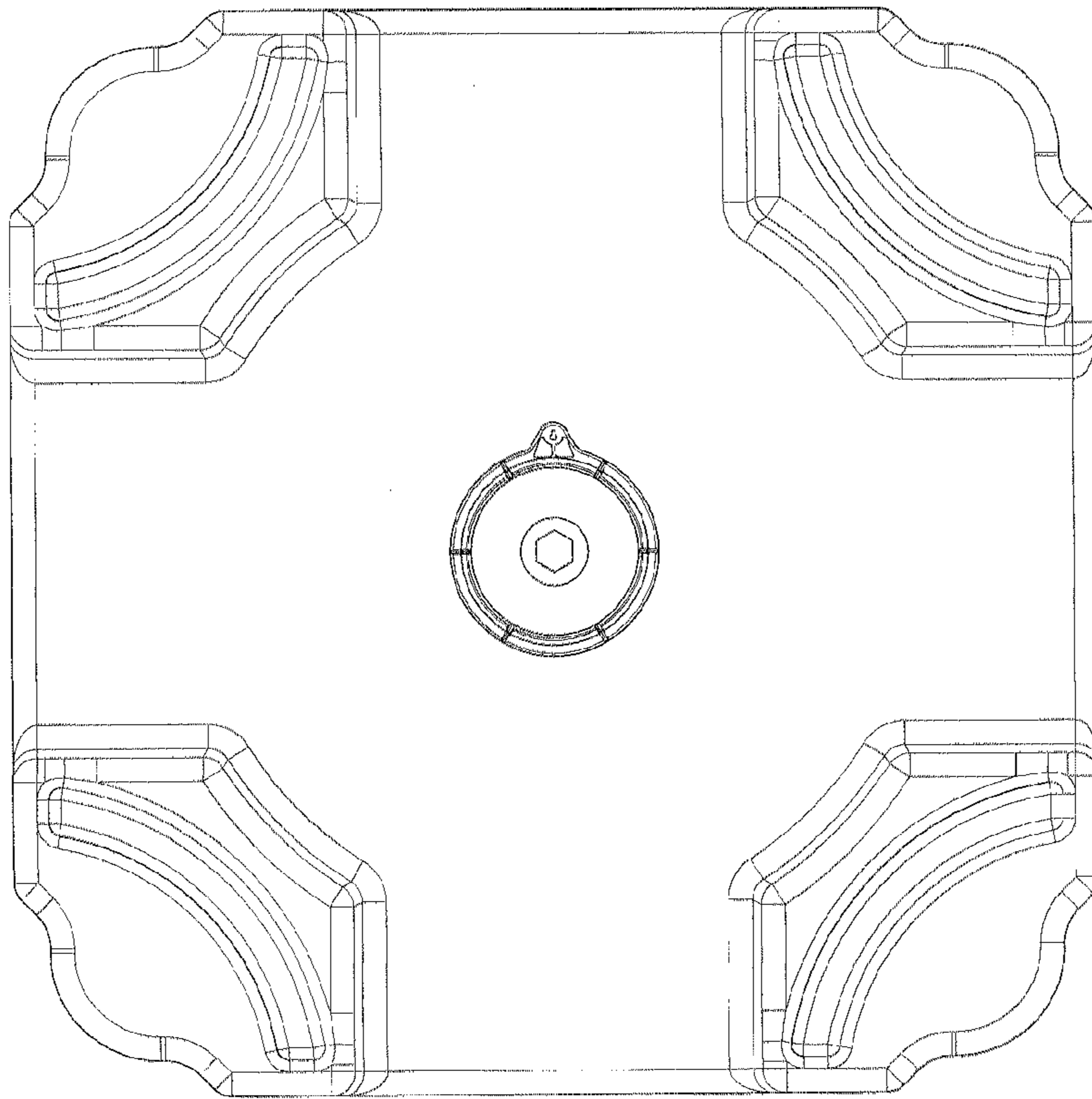


Fig. 13.

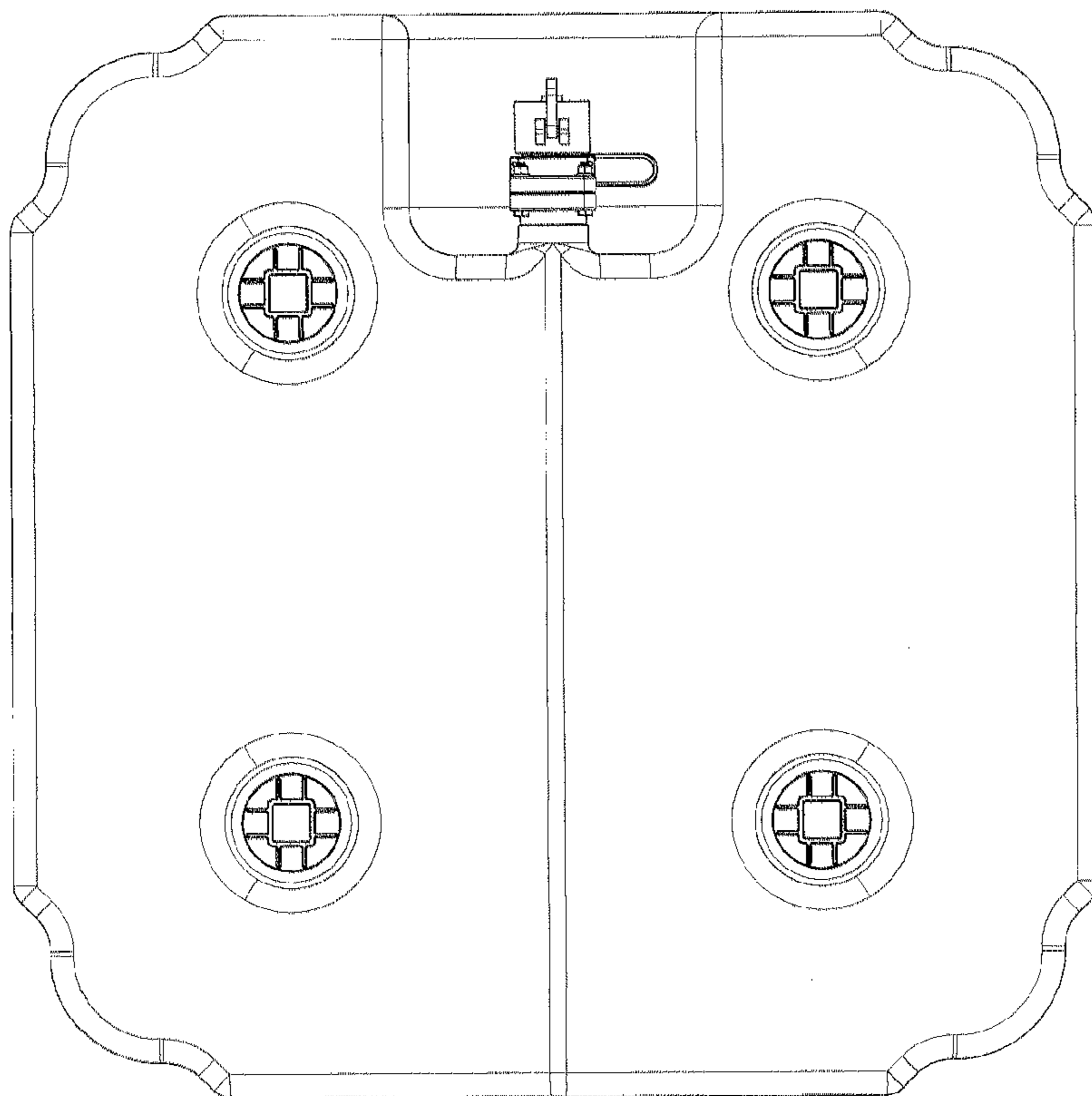


Fig. 14.

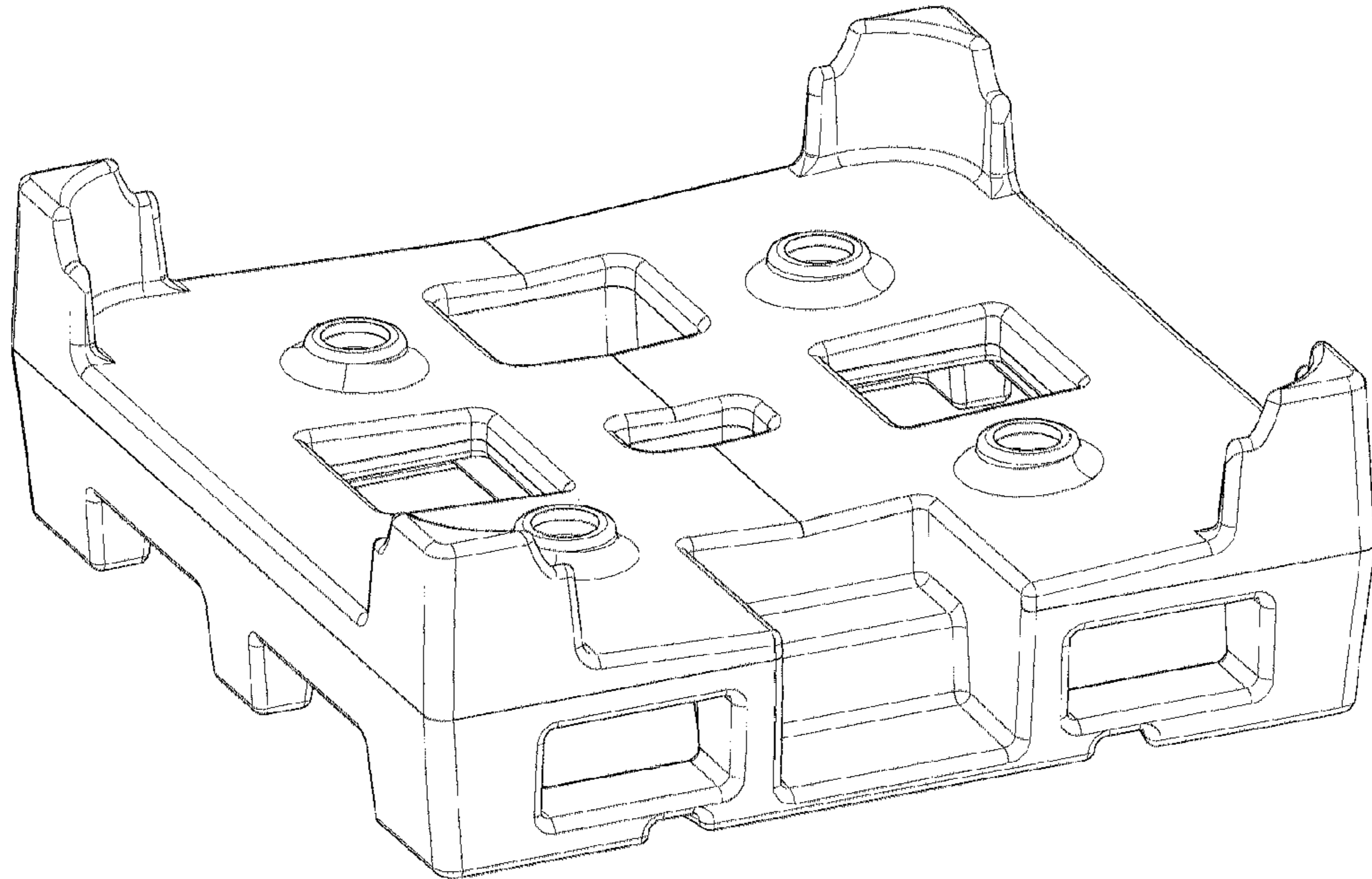


Fig. 15.

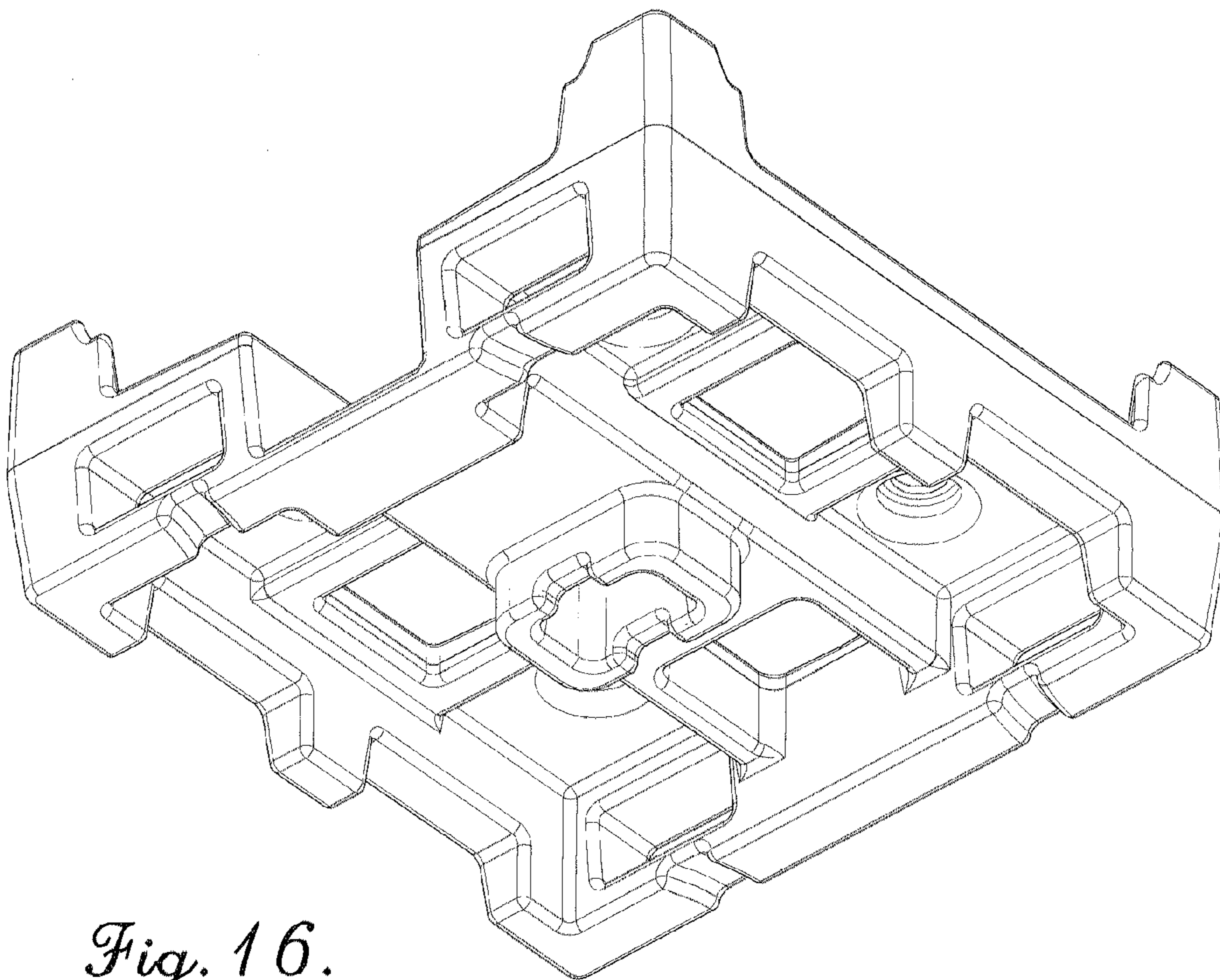


Fig. 16.

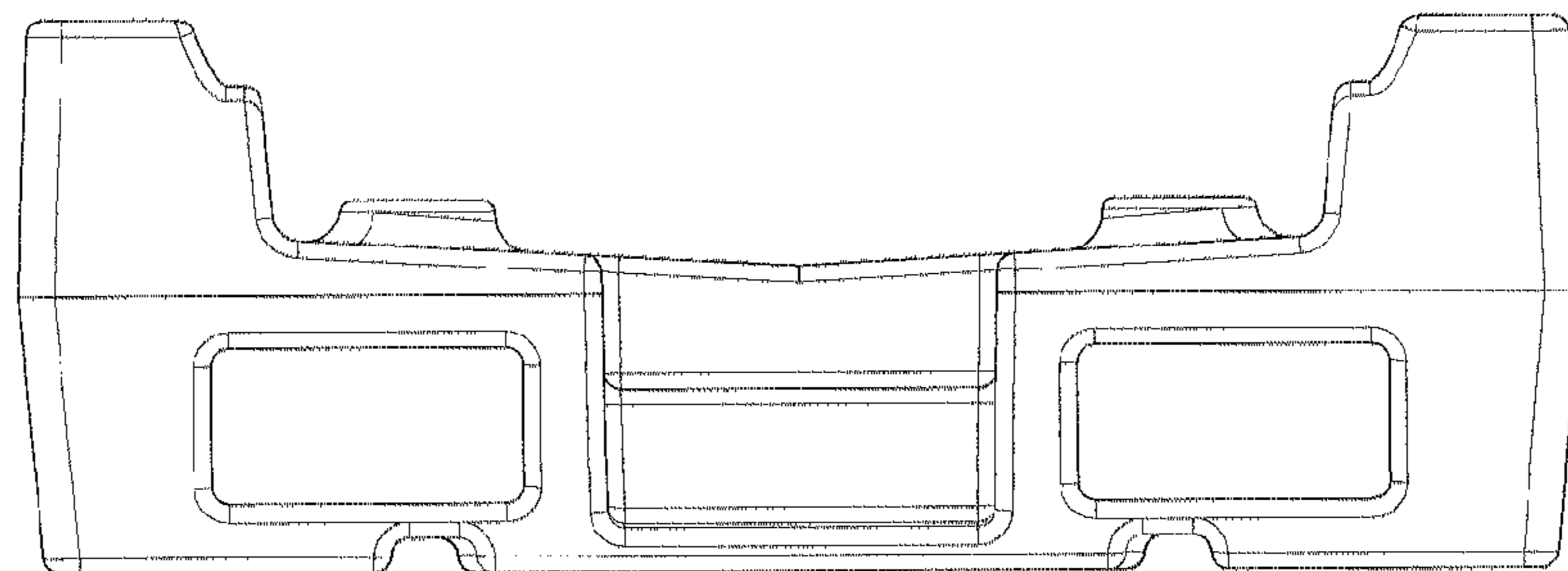


Fig. 17.

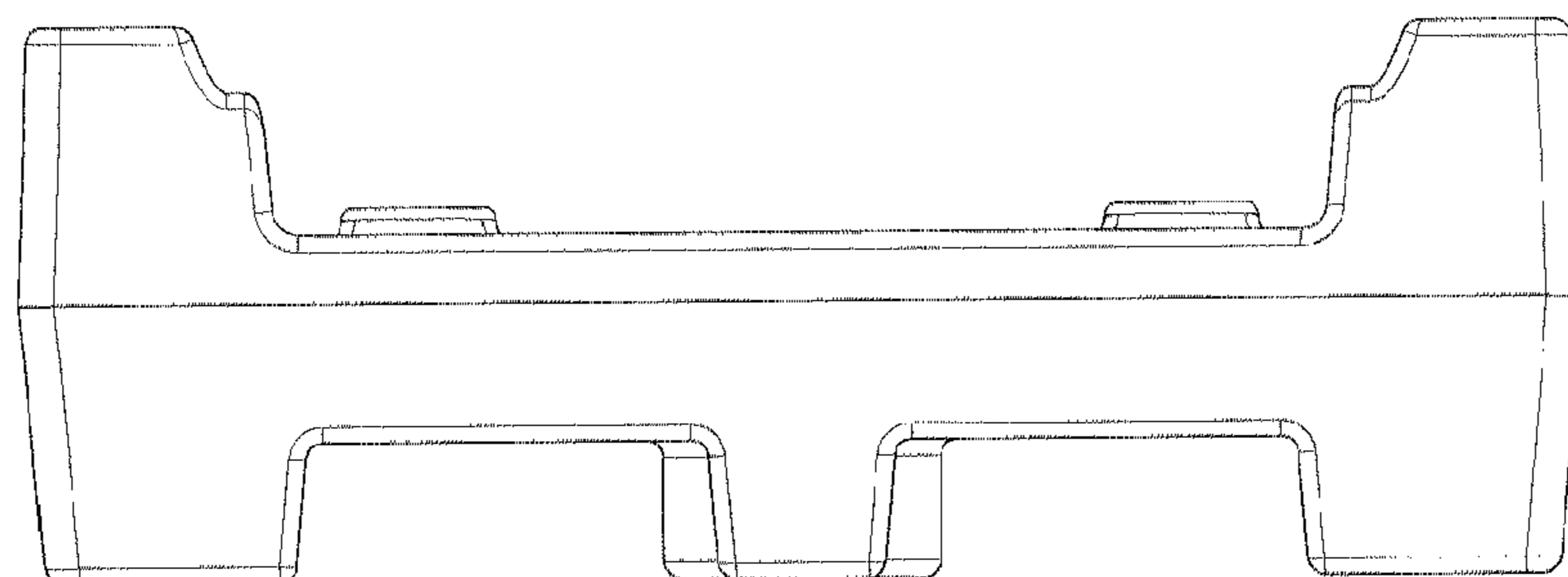


Fig. 18.

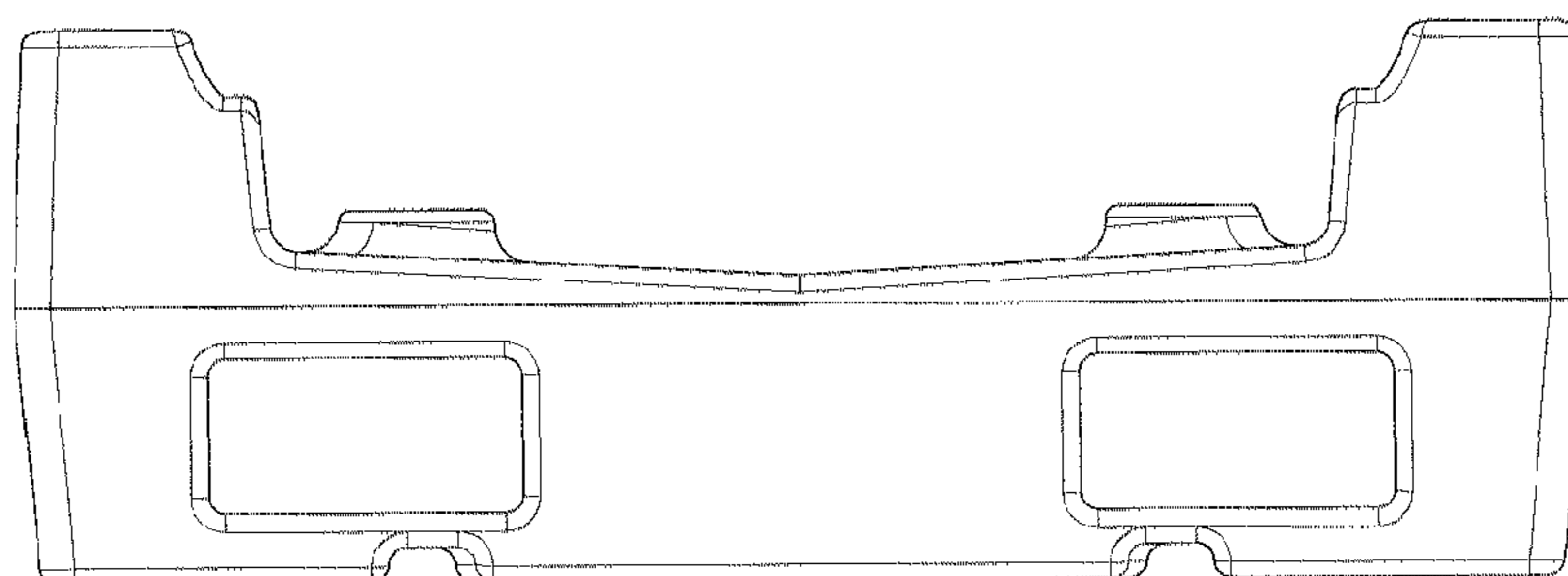


Fig. 19.

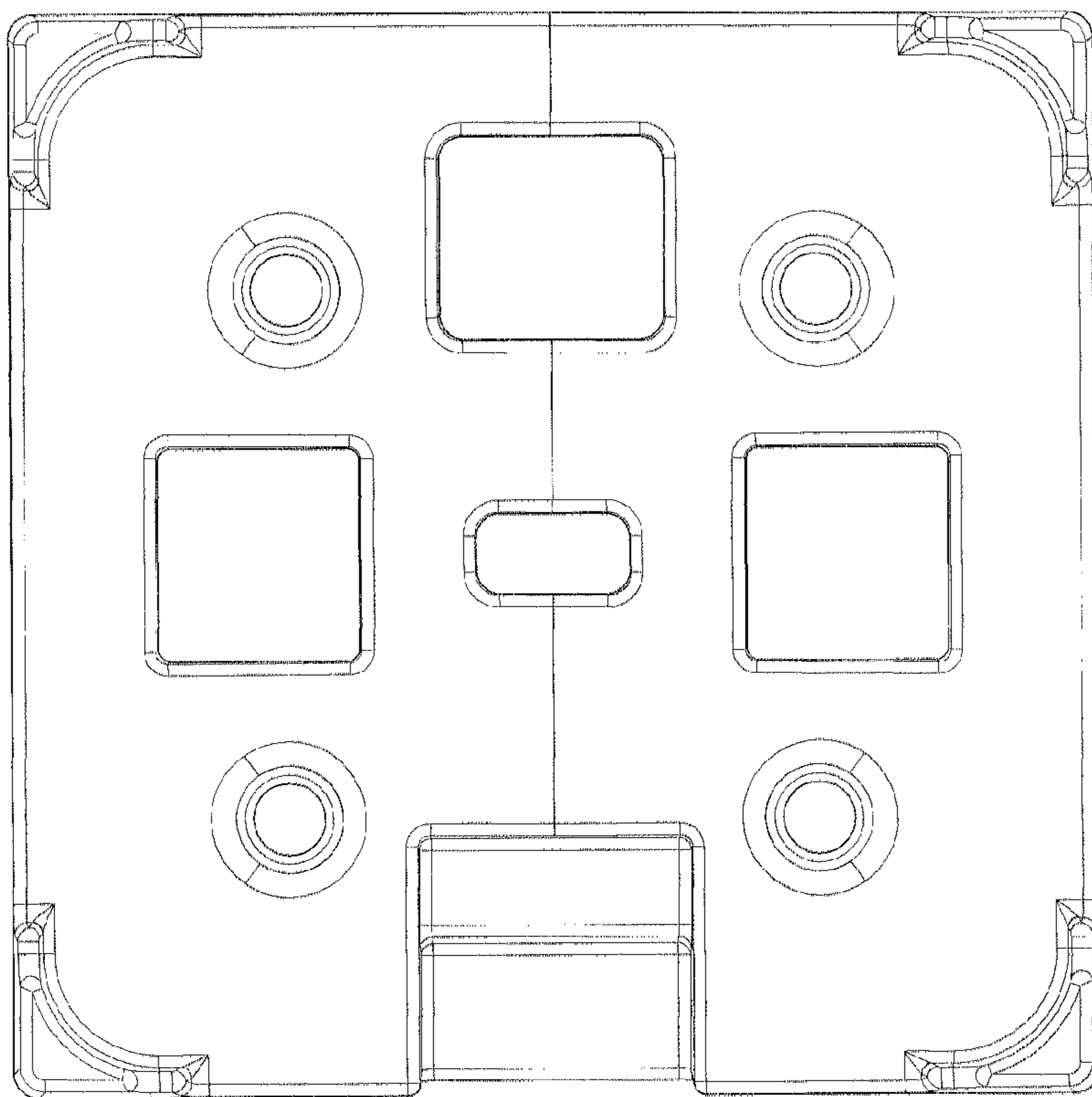


Fig. 20.

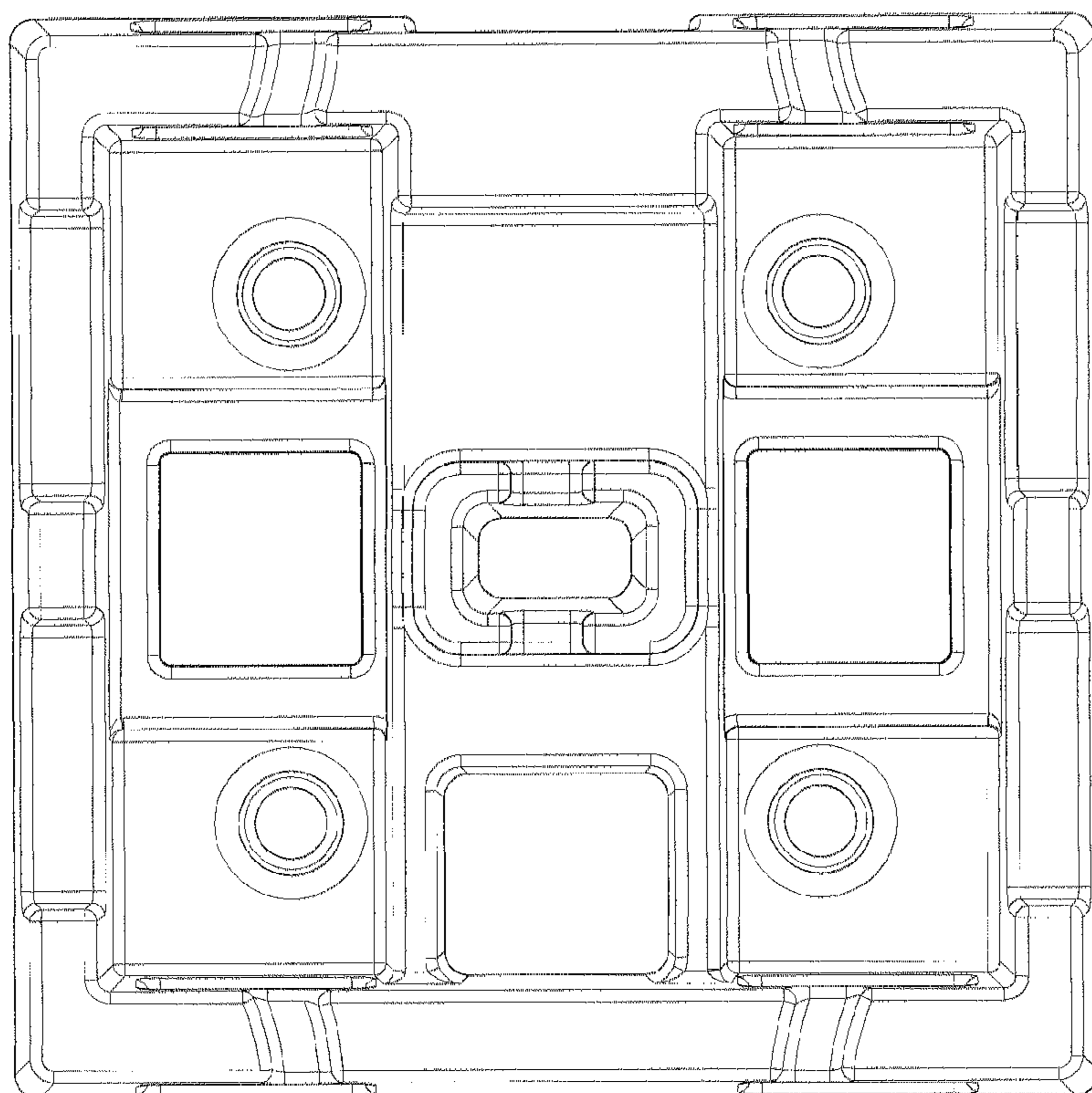


Fig. 21.