



US00D666690S

(12) **United States Design Patent**
Leistner

(10) **Patent No.:** **US D666,690 S**

(45) **Date of Patent:** **** Sep. 4, 2012**

(54) **FISHING LINE TOOL**

6,219,958 B1 * 4/2001 Eberts 43/57.2
D508,280 S * 8/2005 Frigon D22/149

(76) Inventor: **Carman A. Leistner**, Tell City, IN (US)

* cited by examiner

(**) Term: **14 Years**

Primary Examiner — Catheri Oliver

(21) Appl. No.: **29/408,805**

(74) *Attorney, Agent, or Firm* — Gary K. Price

(22) Filed: **Dec. 16, 2011**

(57) **CLAIM**

The ornamental design for a fishing line tool, as shown and described.

(51) **LOC (9) Cl.** **22-05**

(52) **U.S. Cl.** **D22/149**

(58) **Field of Classification Search** D22/149,
D22/134, 199; 43/5, 54.1, 57.1, 57.2, 17.2
See application file for complete search history.

DESCRIPTION

FIG. 1 is a perspective view of the fishing line tool showing my new design;

FIG. 2 is another perspective view thereof;

FIG. 3 is an end view thereof; and,

FIG. 4 is a side view thereof.

(56) **References Cited**

U.S. PATENT DOCUMENTS

D133,869 S * 9/1942 Donahue D21/406

1 Claim, 3 Drawing Sheets

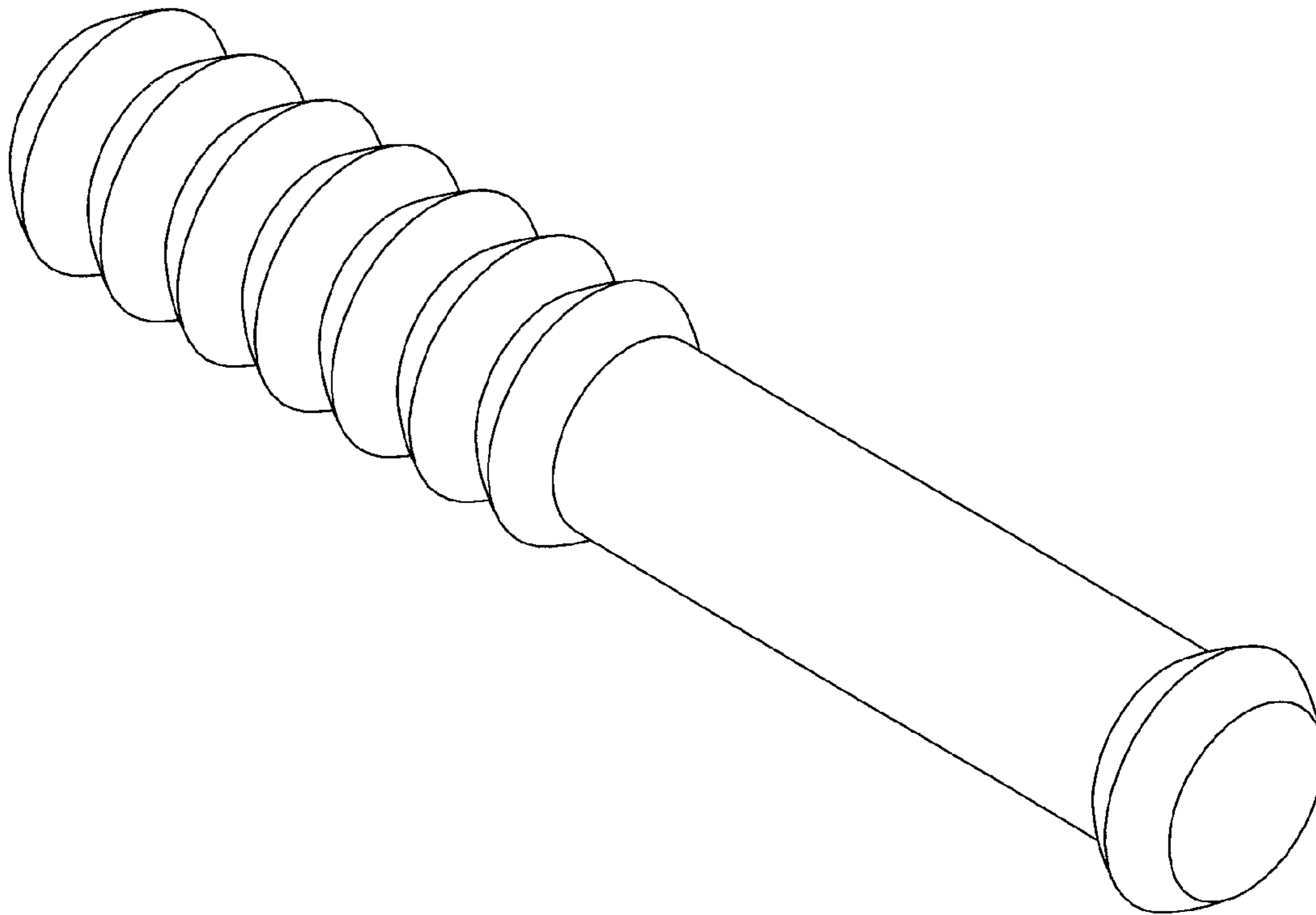


FIG.1

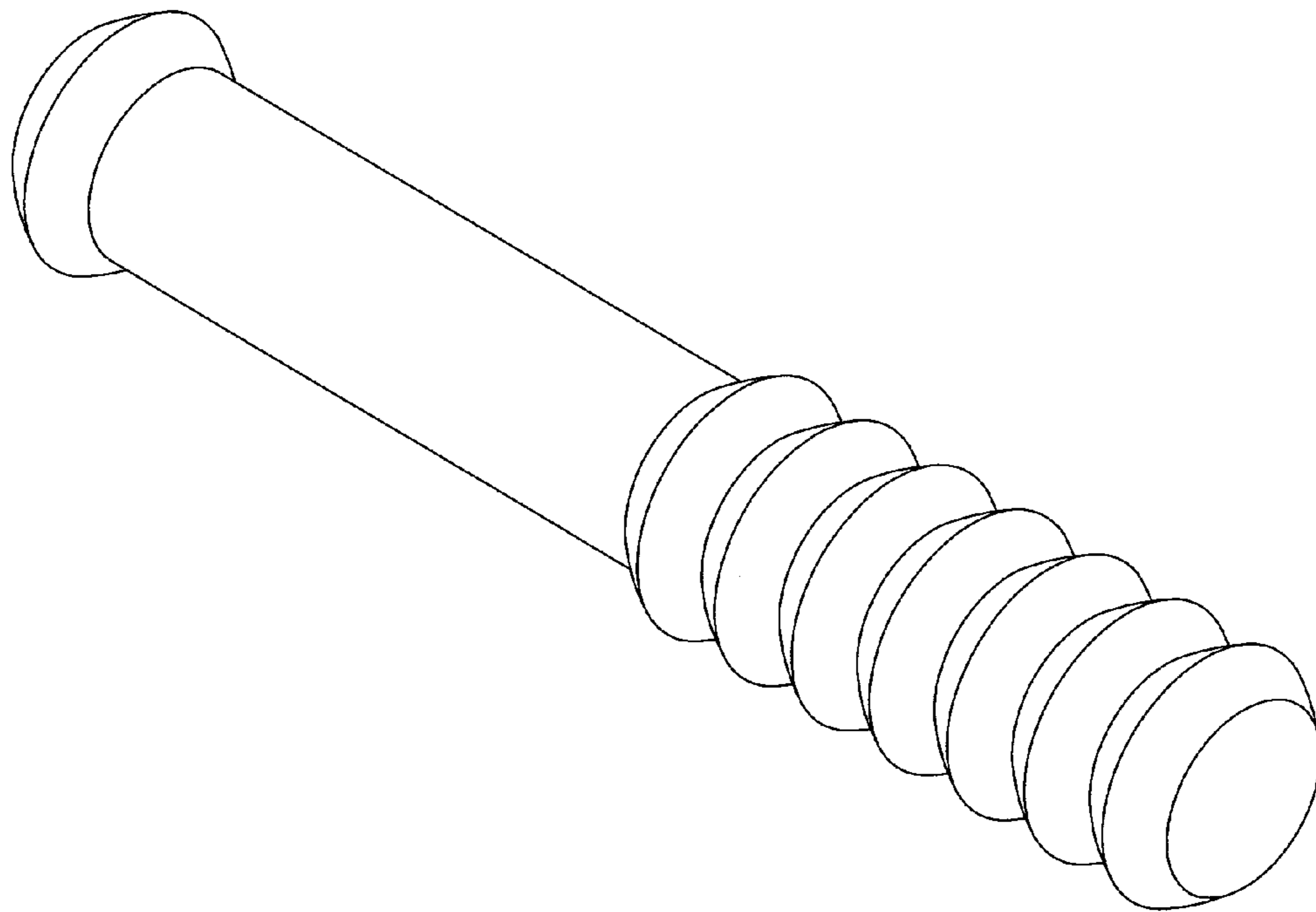


FIG.2

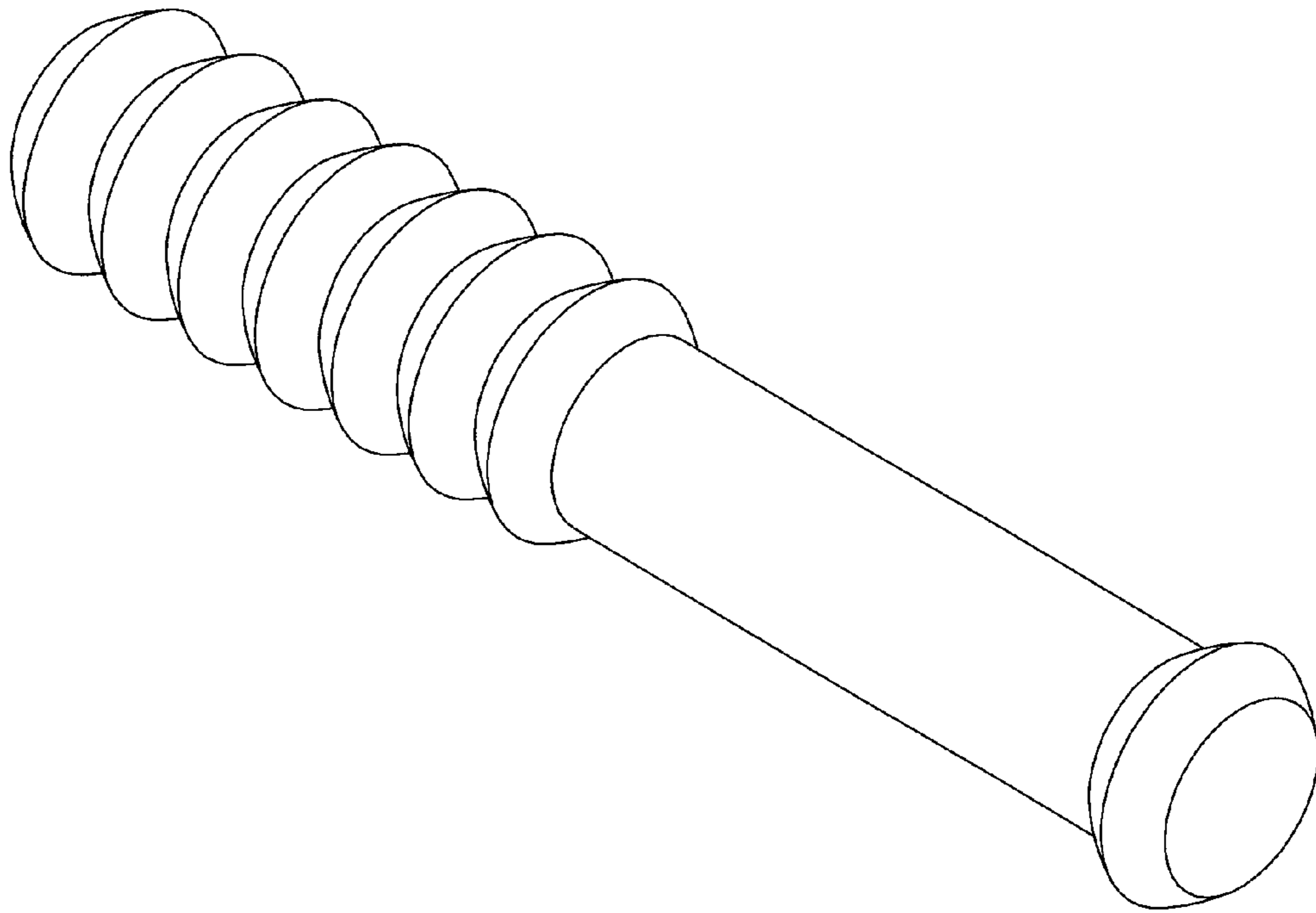


FIG.3

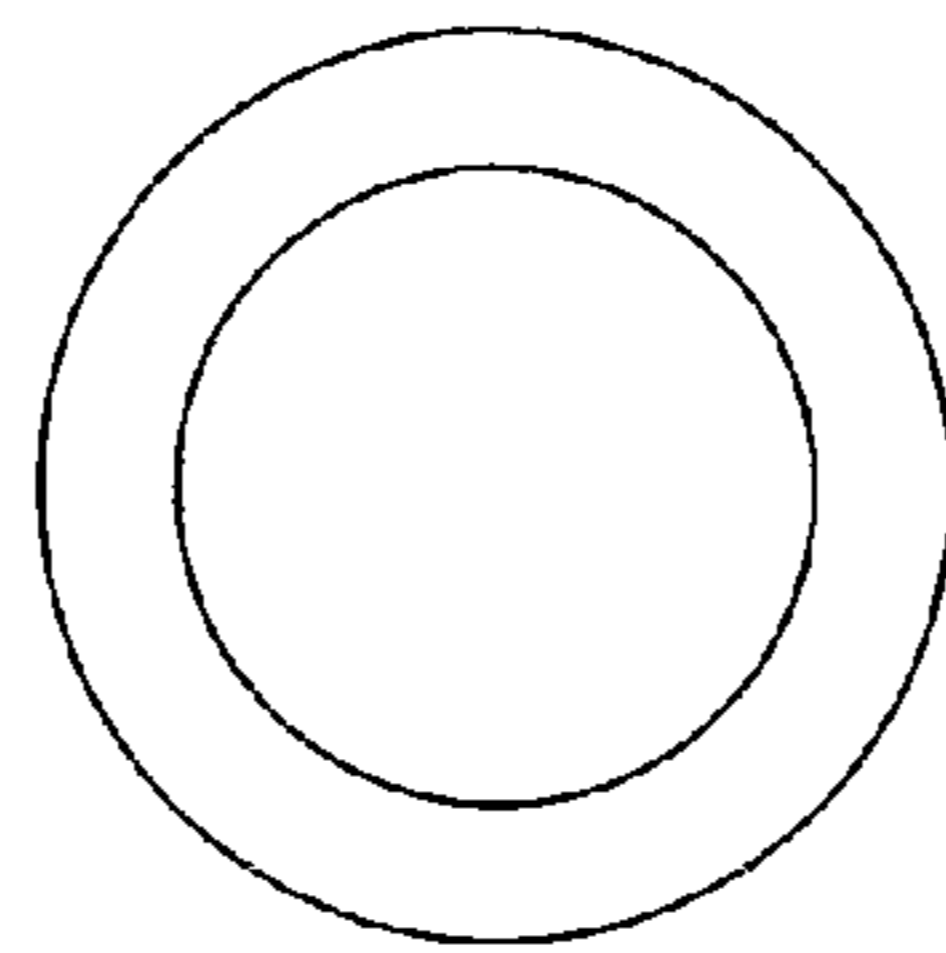


FIG.4

