

US00D666688S

(12) **United States Design Patent**  
**Shickle**

(10) **Patent No.:** **US D666,688 S**

(45) **Date of Patent:** **\*\* Sep. 4, 2012**

(54) **PORTION OF A BIPOD FOR A FIREARM**

(76) Inventor: **Gregory Shickle**, Auburn, CA (US)

(\*\*) Term: **14 Years**

(21) Appl. No.: **29/381,236**

(22) Filed: **Dec. 16, 2010**

(51) **LOC (9) Cl.** ..... **22-01**

(52) **U.S. Cl.** ..... **D22/108**

(58) **Field of Classification Search** ..... D22/108,  
D22/199; D8/1, 380, 381; 42/94; 89/37.04;  
211/64, 13.1, 49.1, 60.1, 70.5, 86.01, 87.01,  
211/88.01, 89.01, 181.1, 560; 248/156, 530,  
248/121, 175, 200, 302, 304, 309.1, 310,  
248/312; D6/329, 396, 417, 552, 553, 567;  
D21/385, 662, 698

See application file for complete search history.

(56) **References Cited**

U.S. PATENT DOCUMENTS

227,648	A *	5/1880	Parkhurst	89/40.06
601,543	A *	3/1898	Benet	89/40.06
691,912	A *	1/1902	McClean	89/40.06
959,291	A *	5/1910	Benet	89/40.06
1,233,165	A *	7/1917	Barry	89/11
1,317,862	A *	10/1919	Dawson	89/40.06
3,208,351	A *	9/1965	Dubin	89/40.06
4,017,997	A *	4/1977	Peterson et al.	42/94
5,074,188	A *	12/1991	Harris	89/37.04
7,526,991	B2 *	5/2009	Steimke et al.	89/129.01
D650,881	S *	12/2011	Abbott et al.	D22/108
2010/0146836	A1 *	6/2010	Moody et al.	42/72

\* cited by examiner

(74) *Attorney, Agent, or Firm* — Temmerman Law Office;  
Mathew J. Temmerman

(57) **CLAIM**

The ornamental design for a portion of a bipod for a firearm.

**DESCRIPTION**

FIG. 1 is a right side view of a portion of a bipod for a firearm according to a preferred embodiment of my new design, wherein disclaimed subject matter is depicted with a dashed line;

FIG. 2 is a left side view thereof;

FIG. 3 is a bottom view thereof;

FIG. 4 is a top plan view thereof;

FIG. 5 is a back side view thereof;

FIG. 6 is a front side view thereof;

FIG. 7 is a front top left side perspective view thereof;

FIG. 8 is a front top right side perspective view thereof;

FIG. 9 is a front bottom left side perspective view thereof;

FIG. 10 is a front bottom right side perspective view thereof;

FIG. 11 is a right side view of a portion of a bipod for a firearm according to a preferred embodiment of my new design, wherein disclaimed subject matter from FIGS. 1-10 is removed;

FIG. 12 is a left side view thereof;

FIG. 13 is a bottom view thereof;

FIG. 14 is a top plan view thereof;

FIG. 15 is a back side view thereof;

FIG. 16 is a front side view thereof;

FIG. 17 is a front top left side perspective view thereof;

FIG. 18 is a front top right side perspective view thereof;

FIG. 19 is a front bottom left side perspective view thereof;

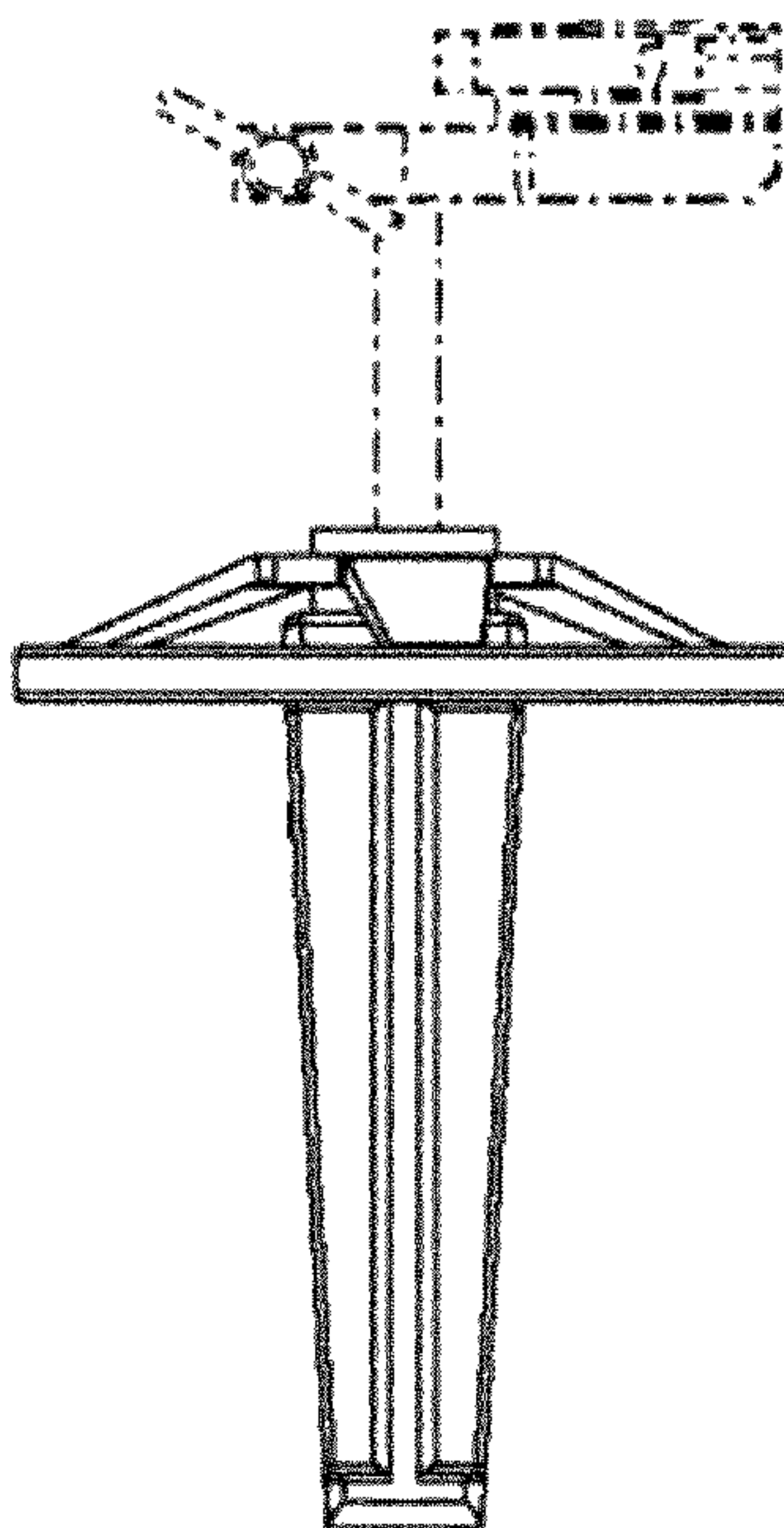
and,

FIG. 20 is a front bottom right side perspective view thereof.

The solid lines in the drawings represent the claimed boundaries of the design. The broken lines form no part of the claimed design.

*Primary Examiner* — Michael A Pratt

**1 Claim, 9 Drawing Sheets**



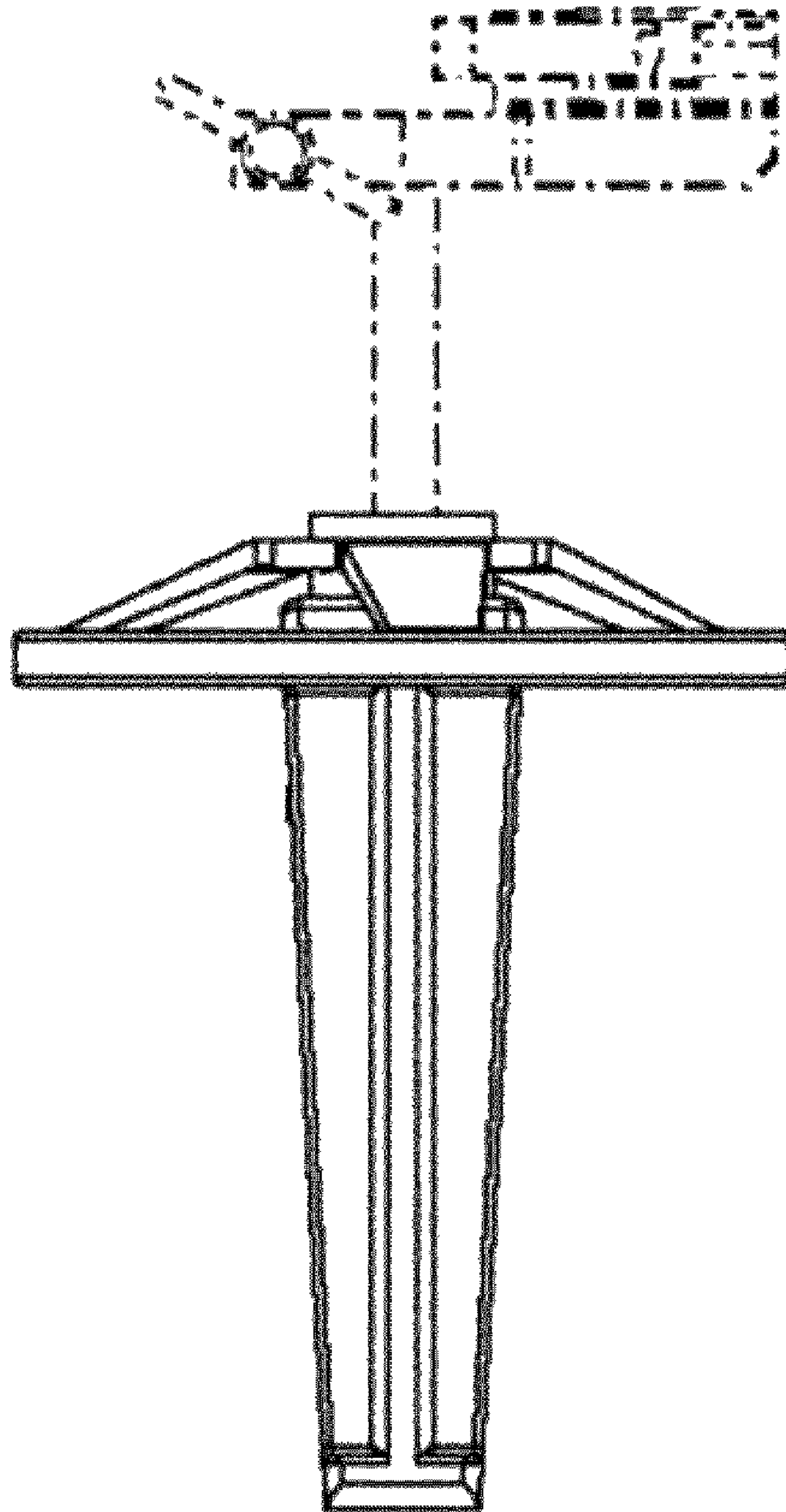


Fig. 1



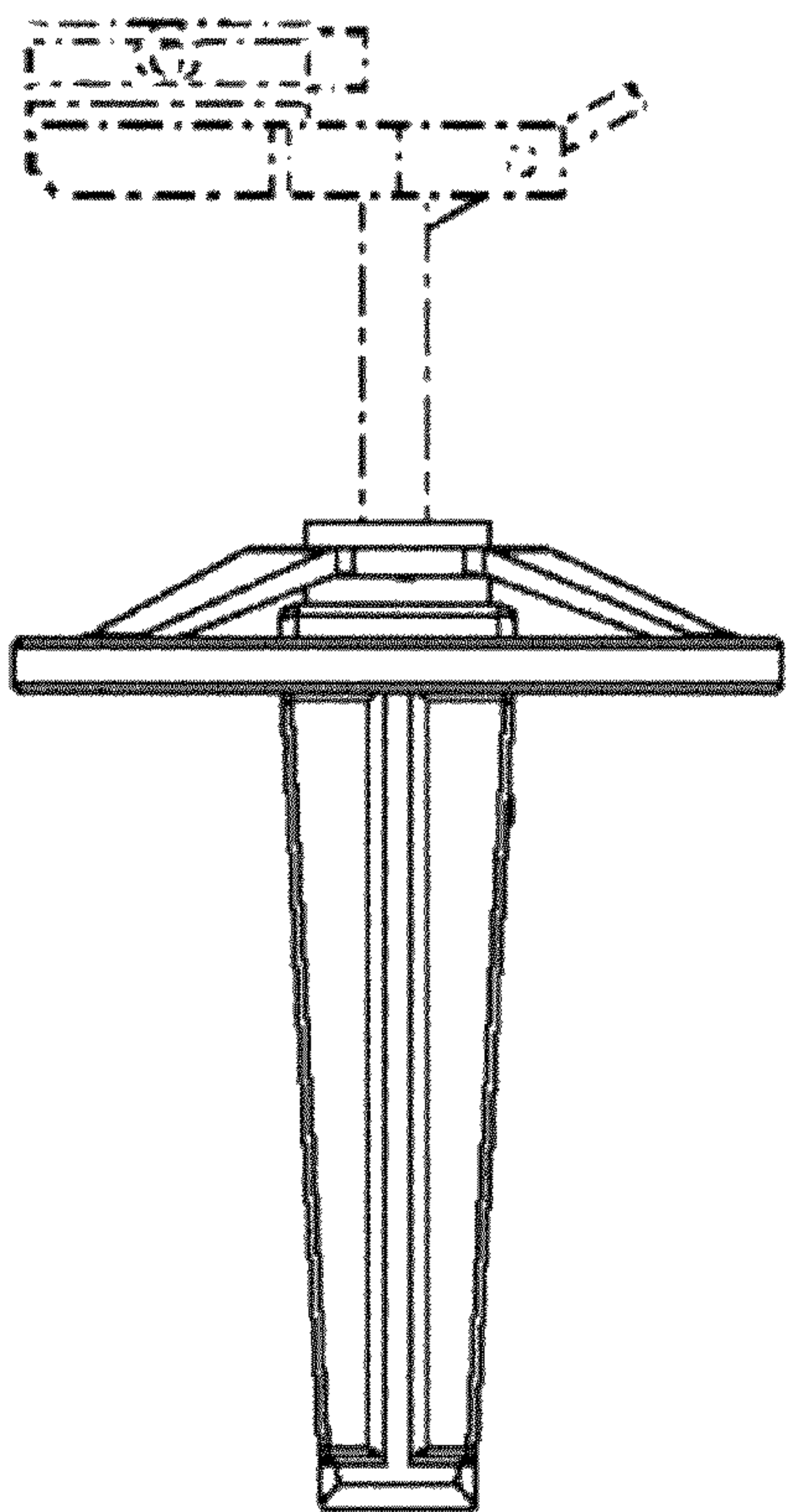


Fig. 2

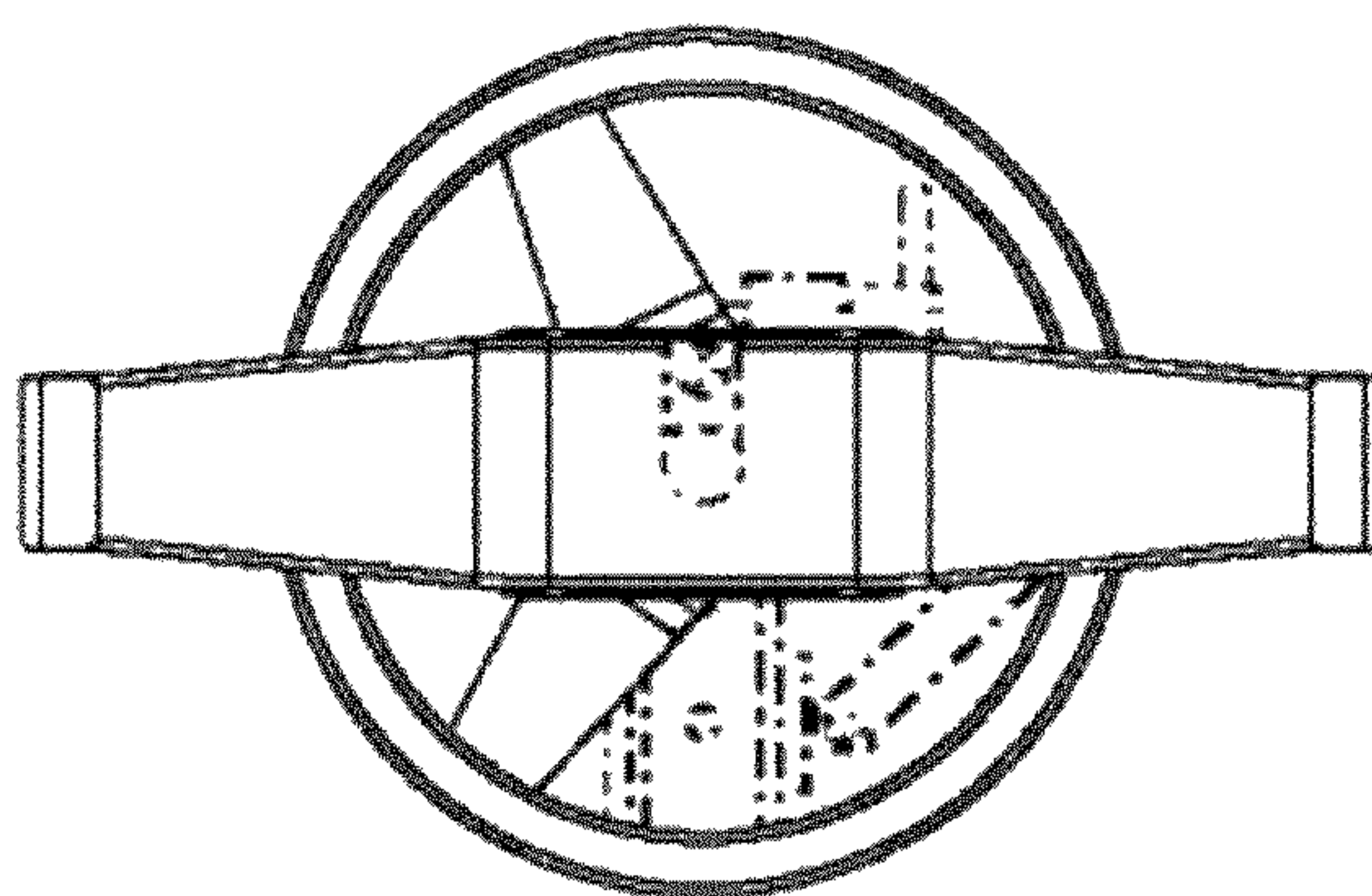


Fig. 3

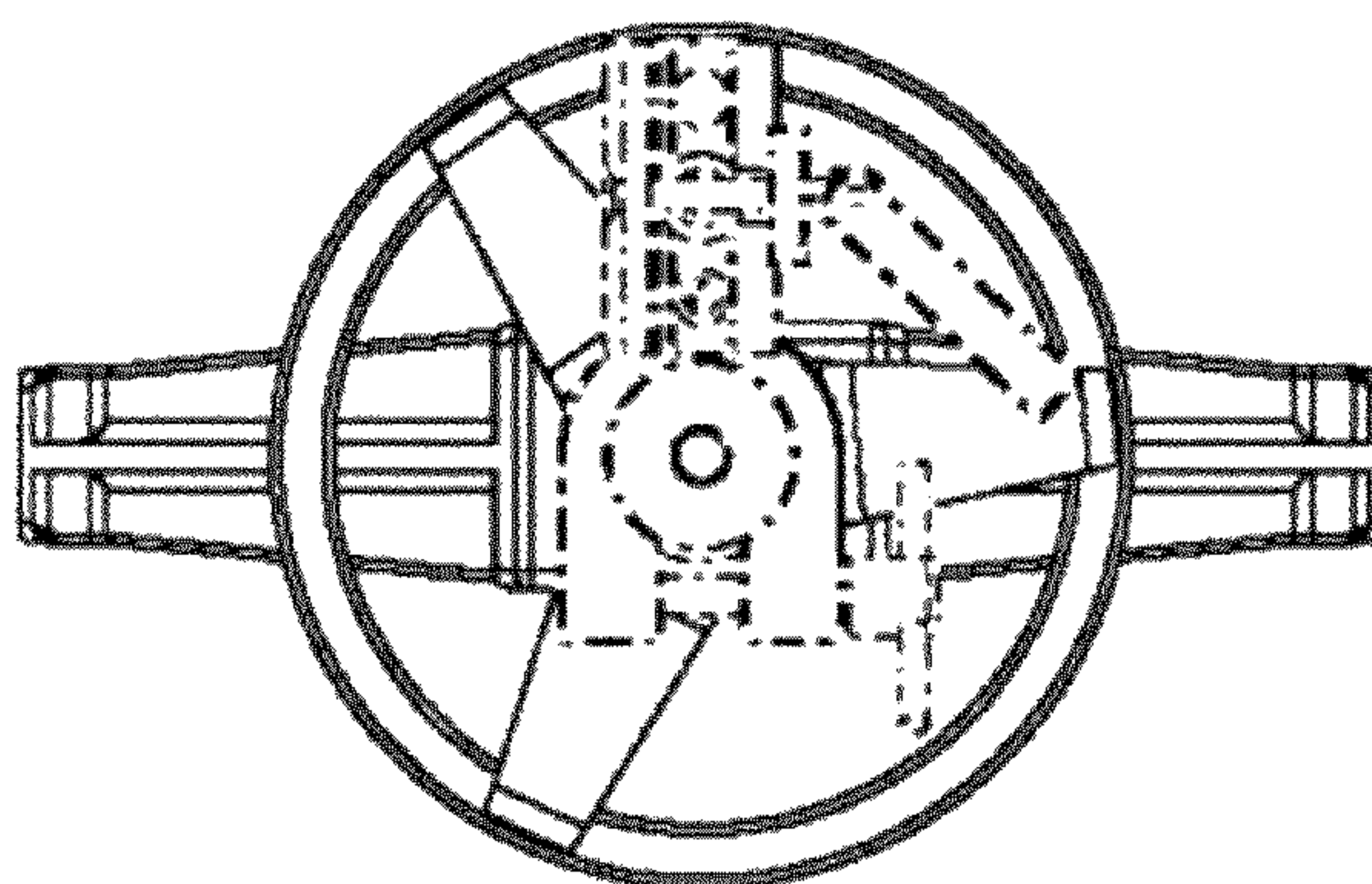


Fig. 4

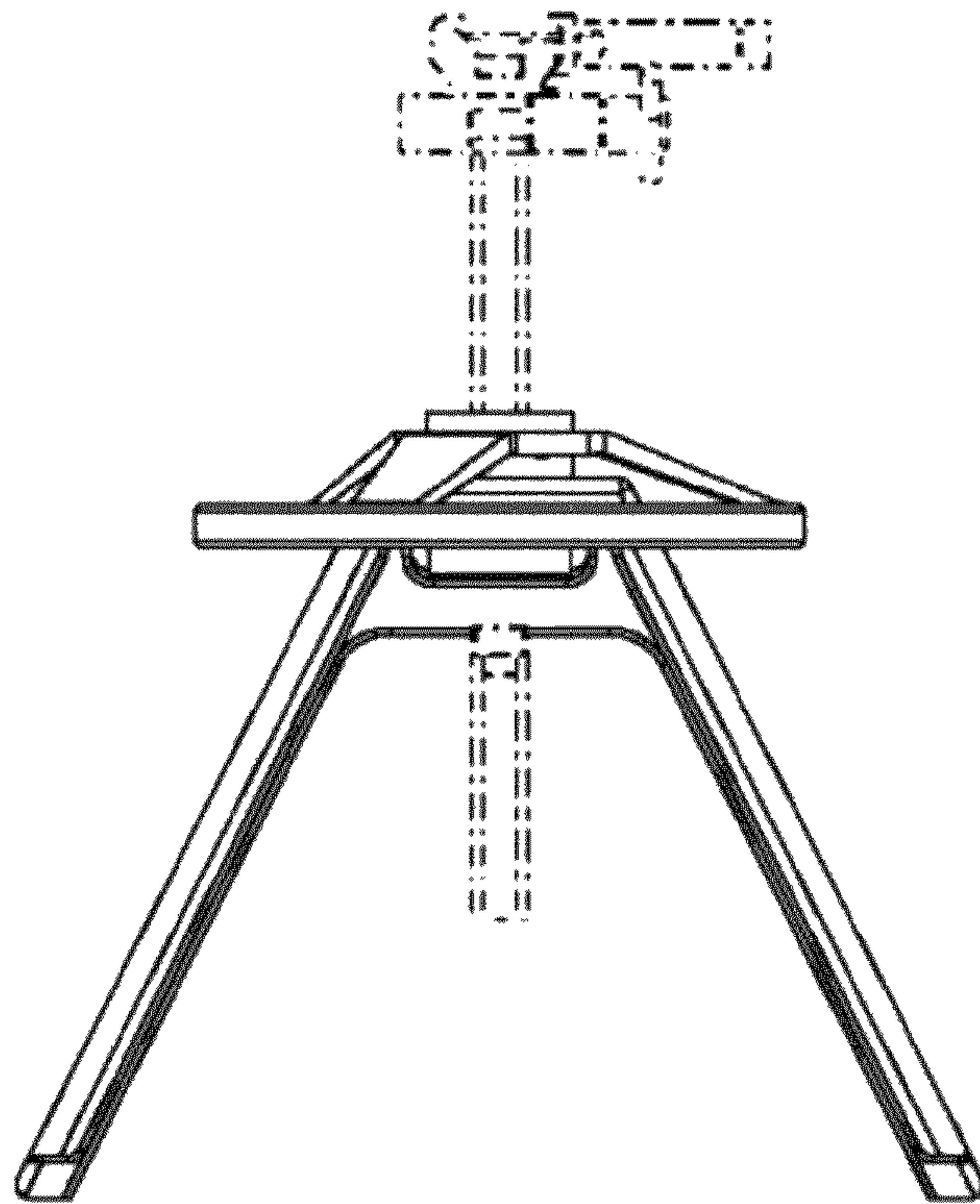


Fig. 5

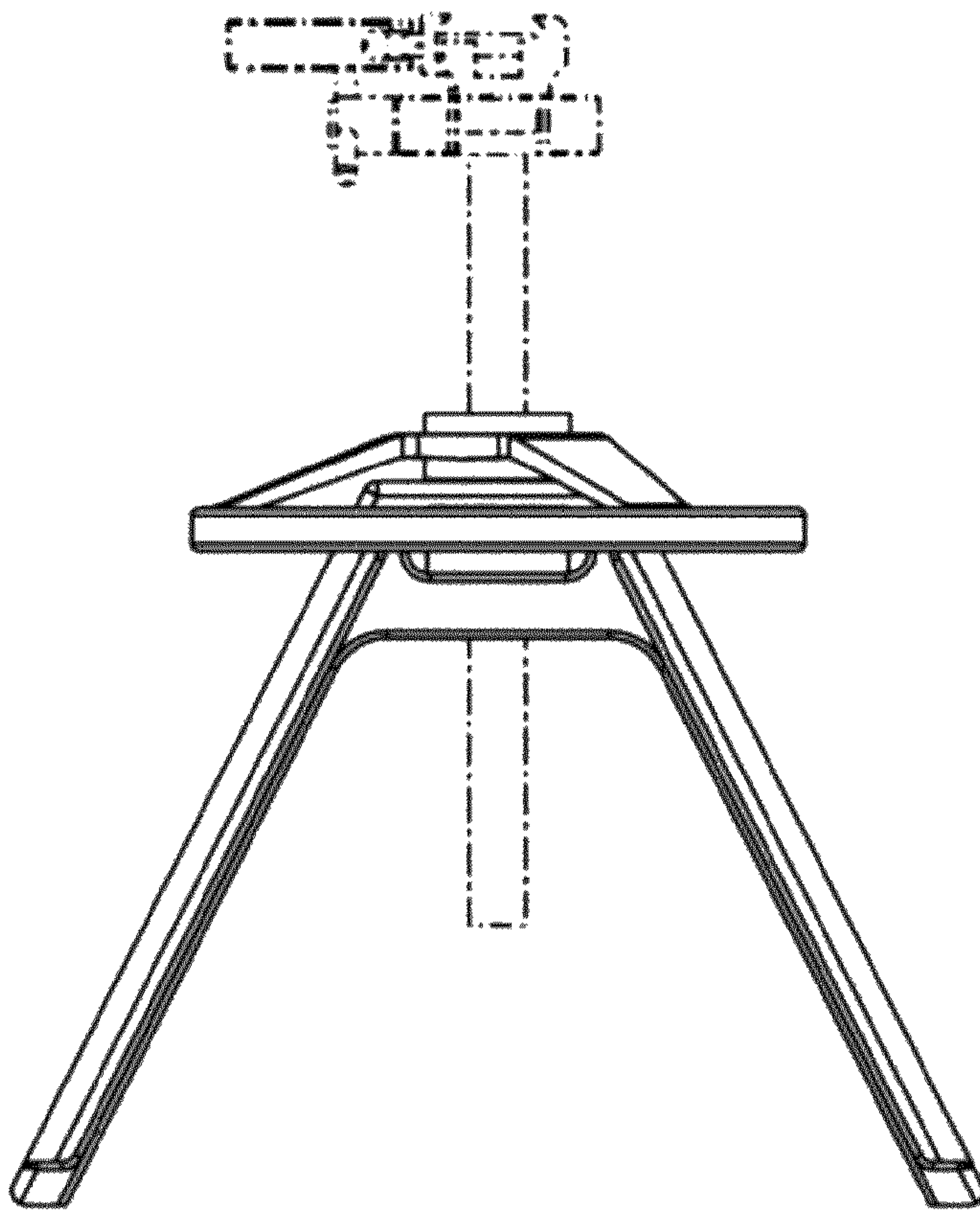


Fig. 6



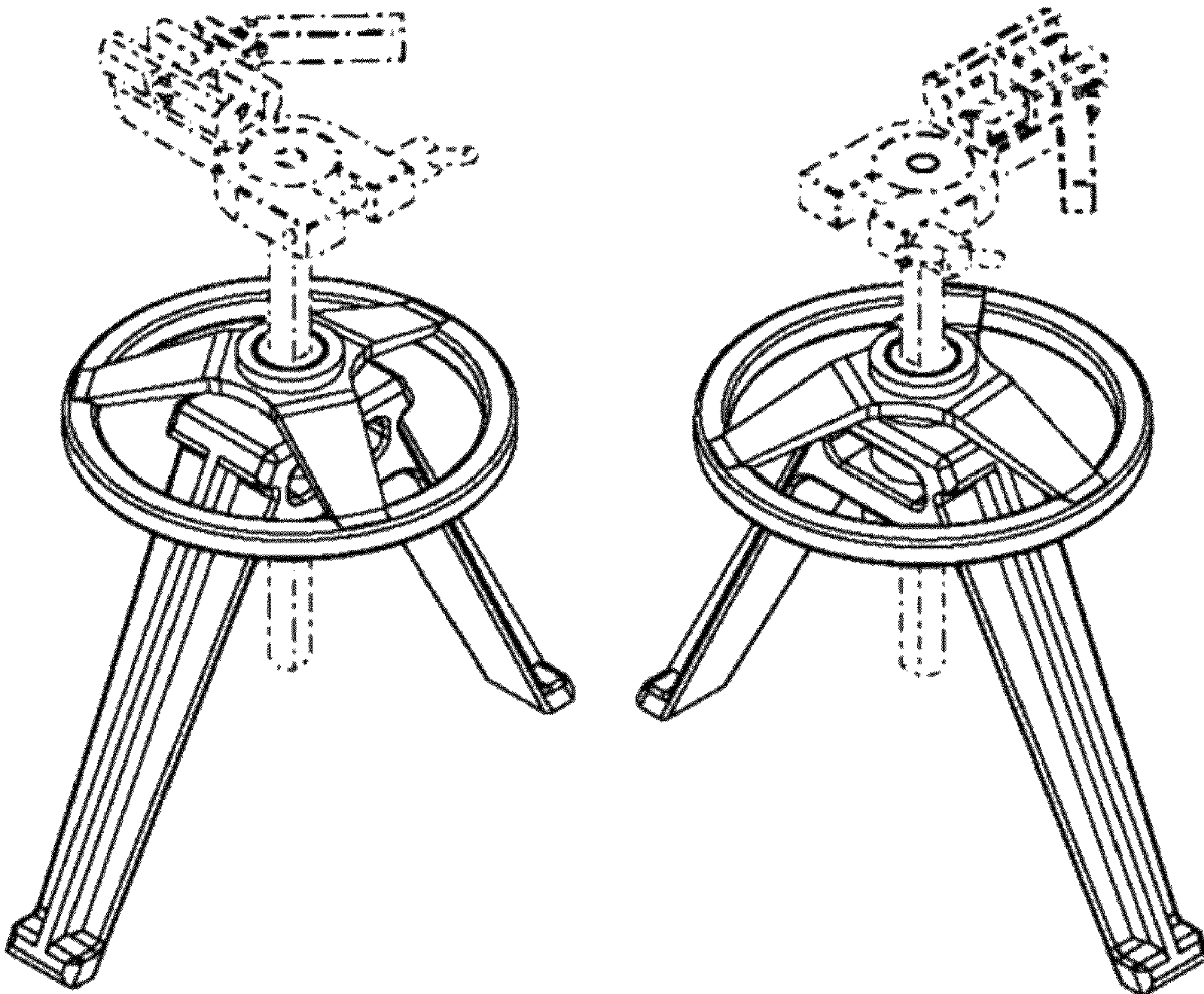


Fig. 7

Fig. 8

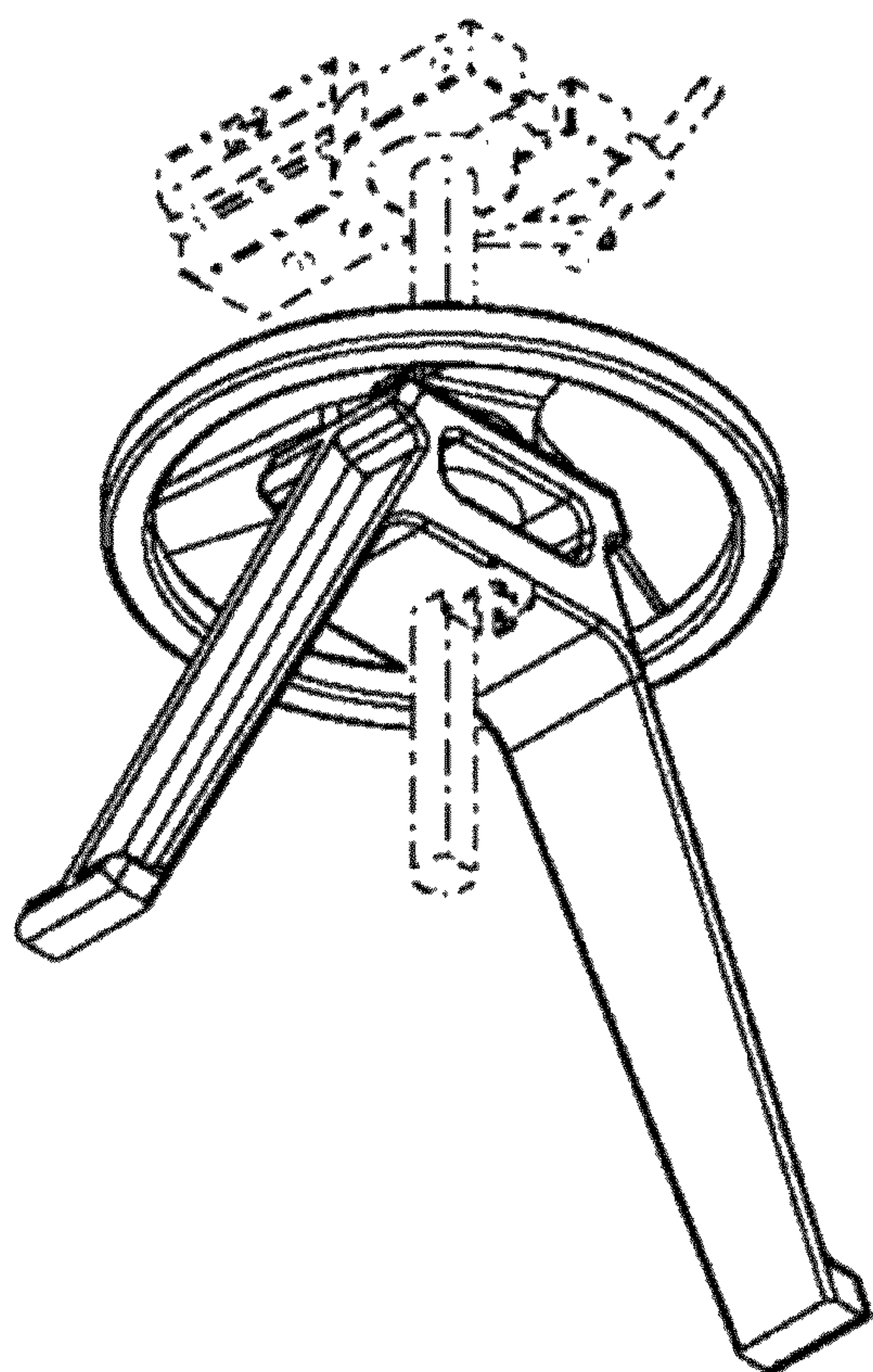


Fig. 9

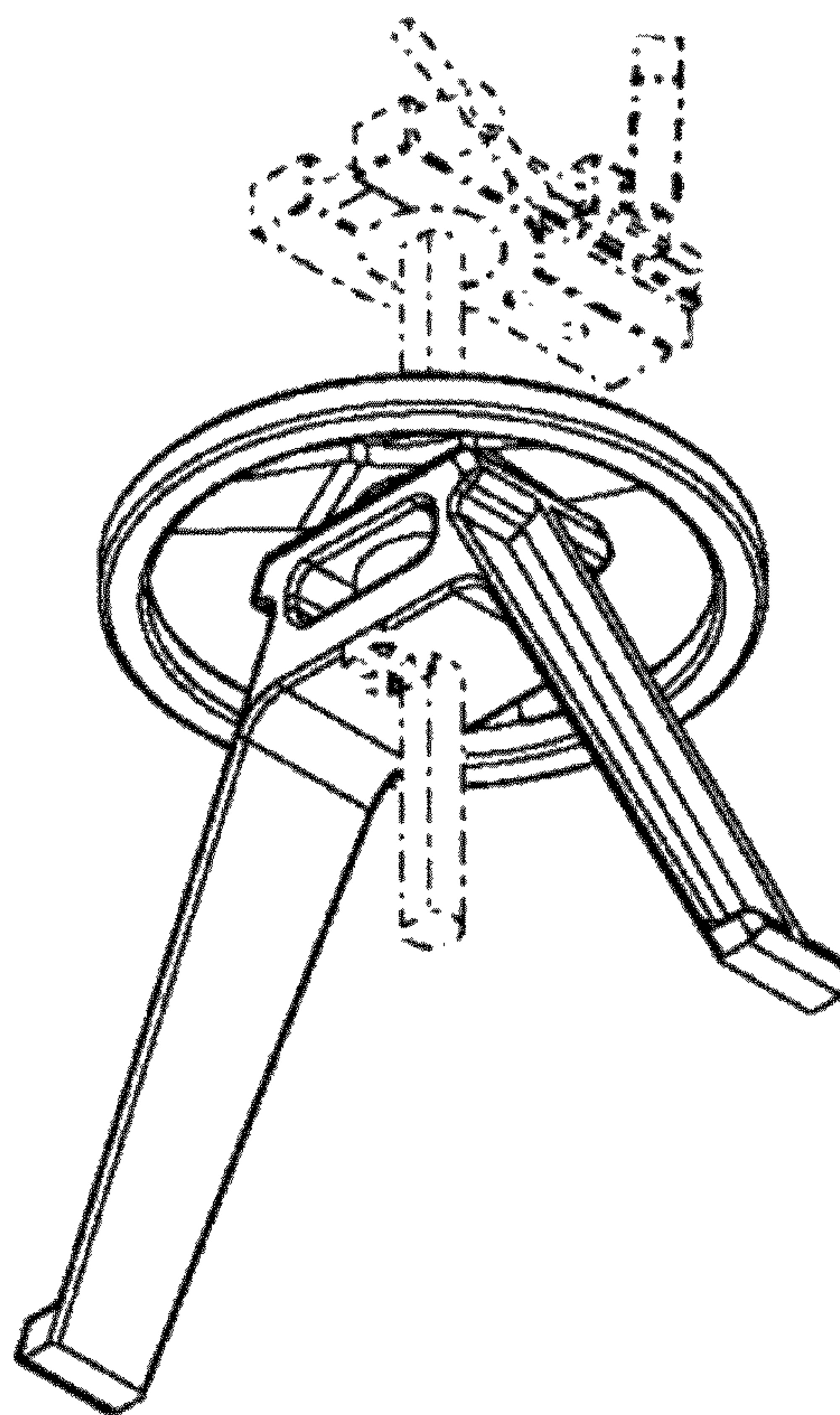


Fig. 10



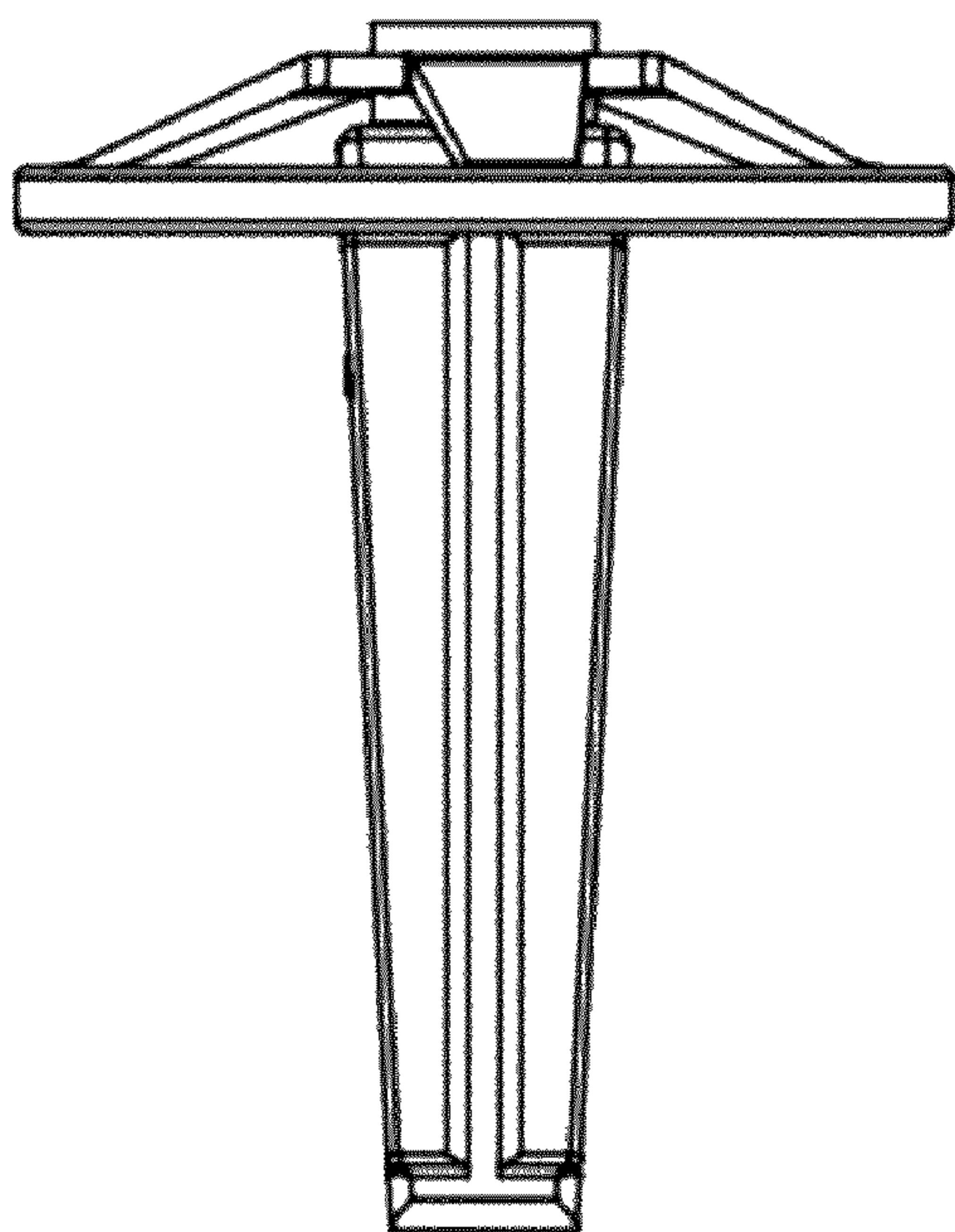


Fig. 11

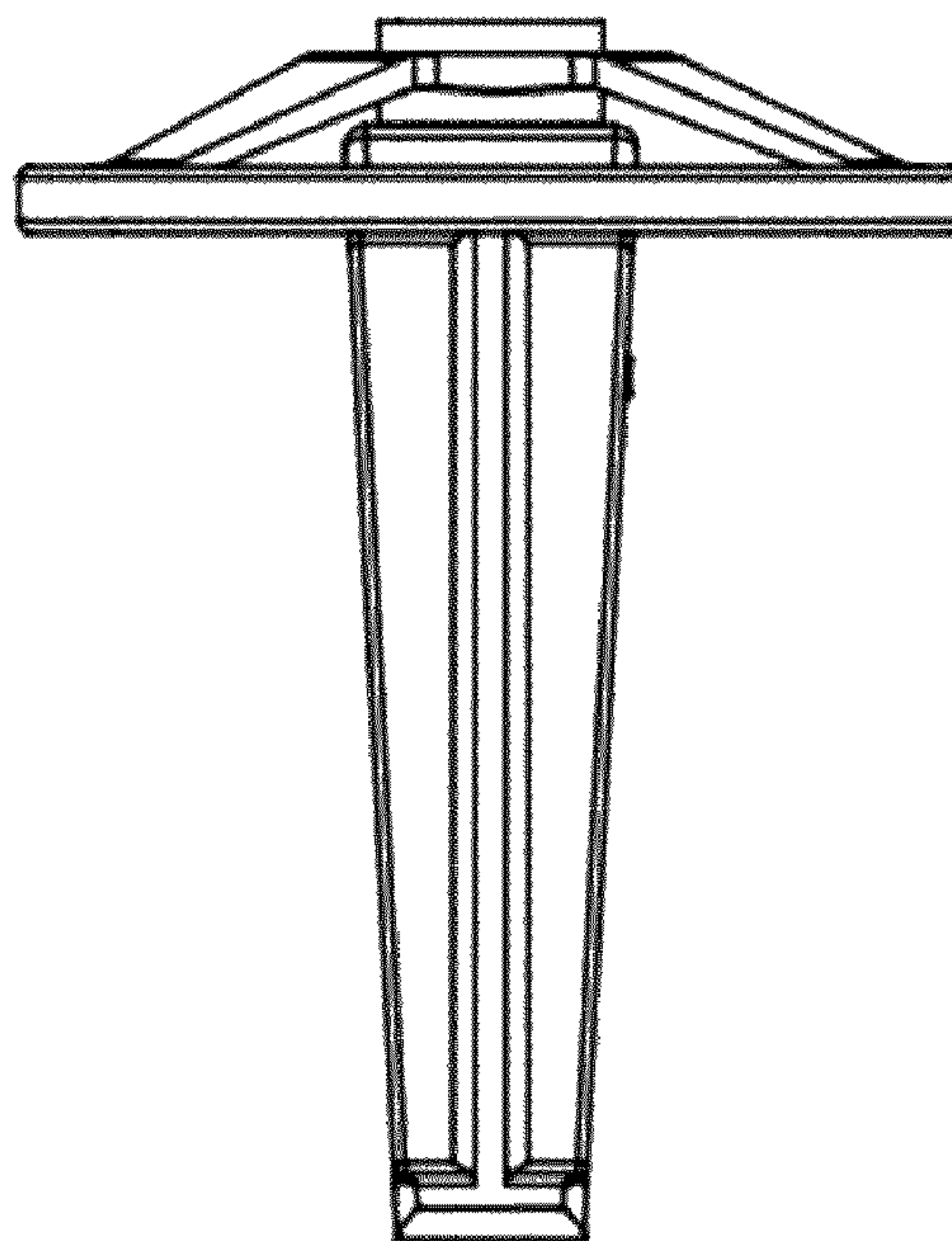


Fig. 12

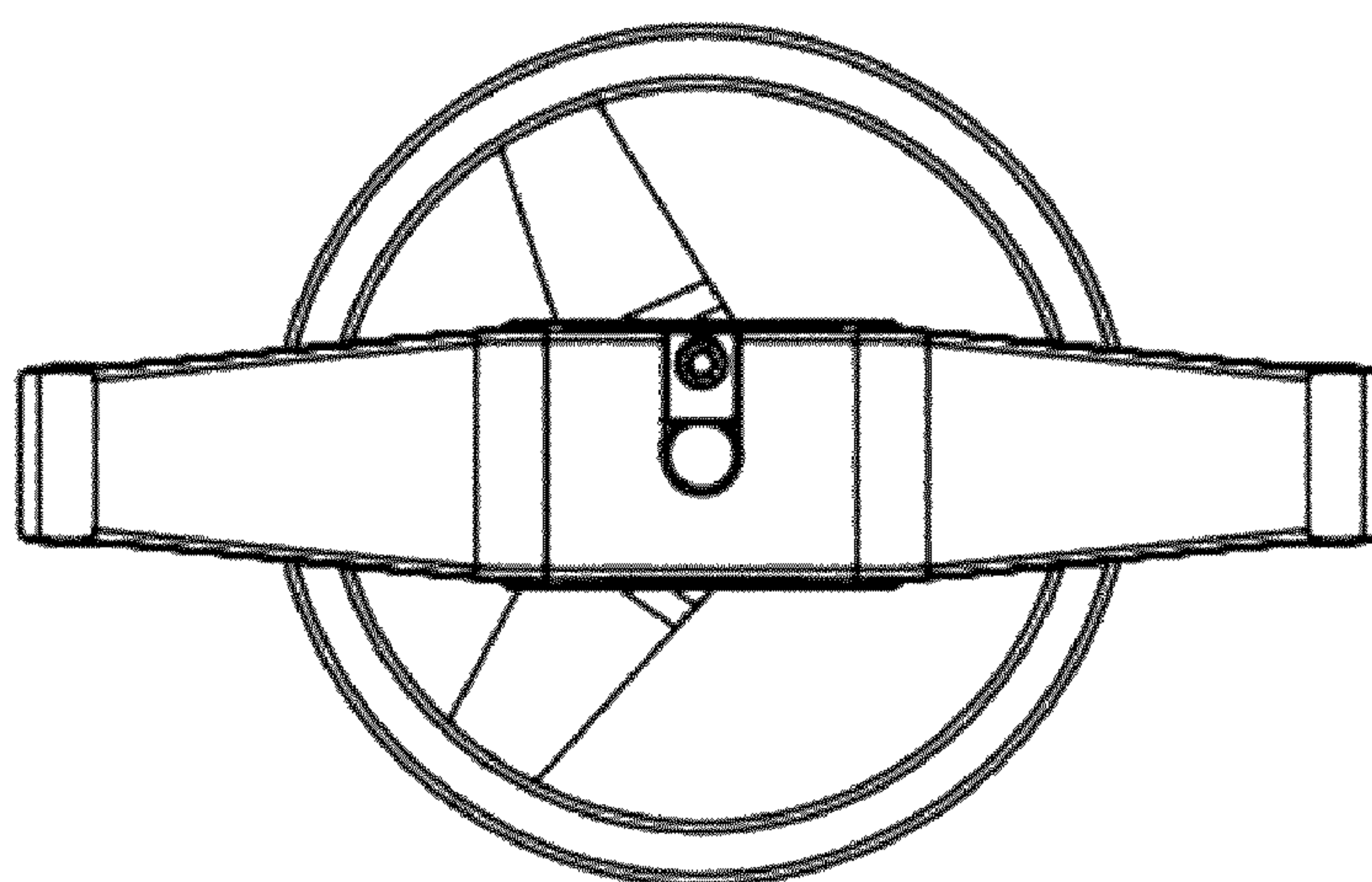


Fig. 13

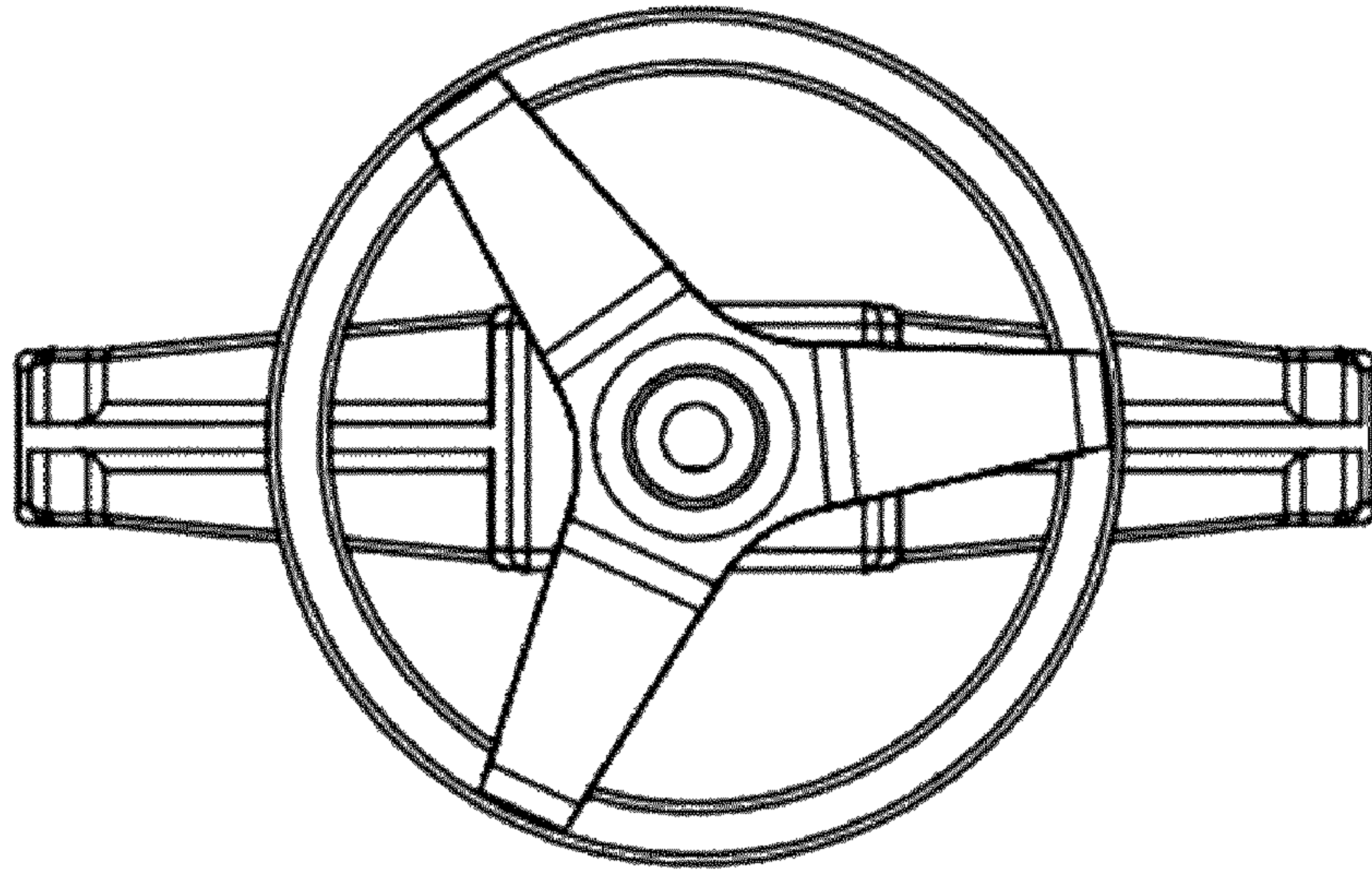


Fig. 14

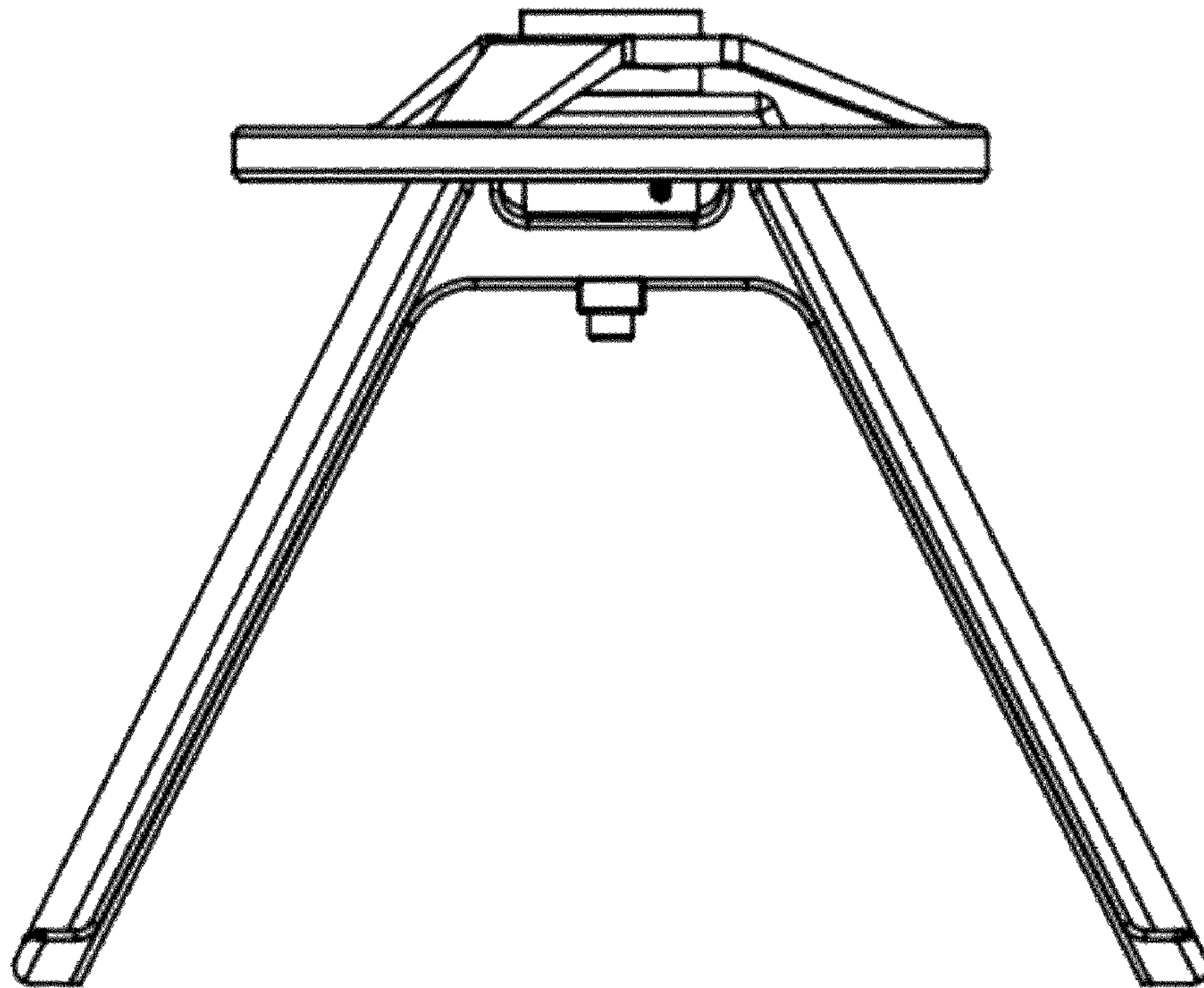


Fig. 15



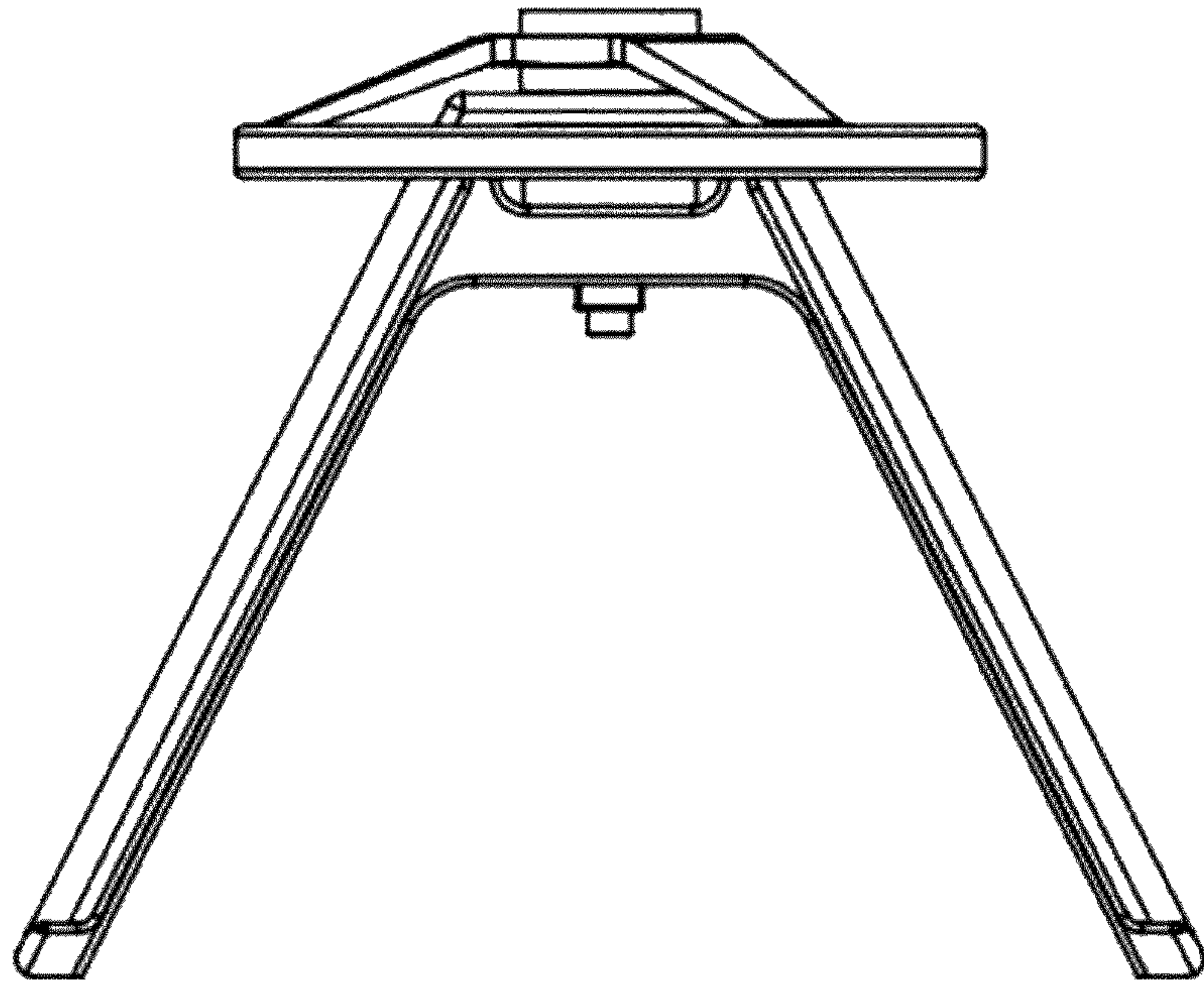


Fig. 16

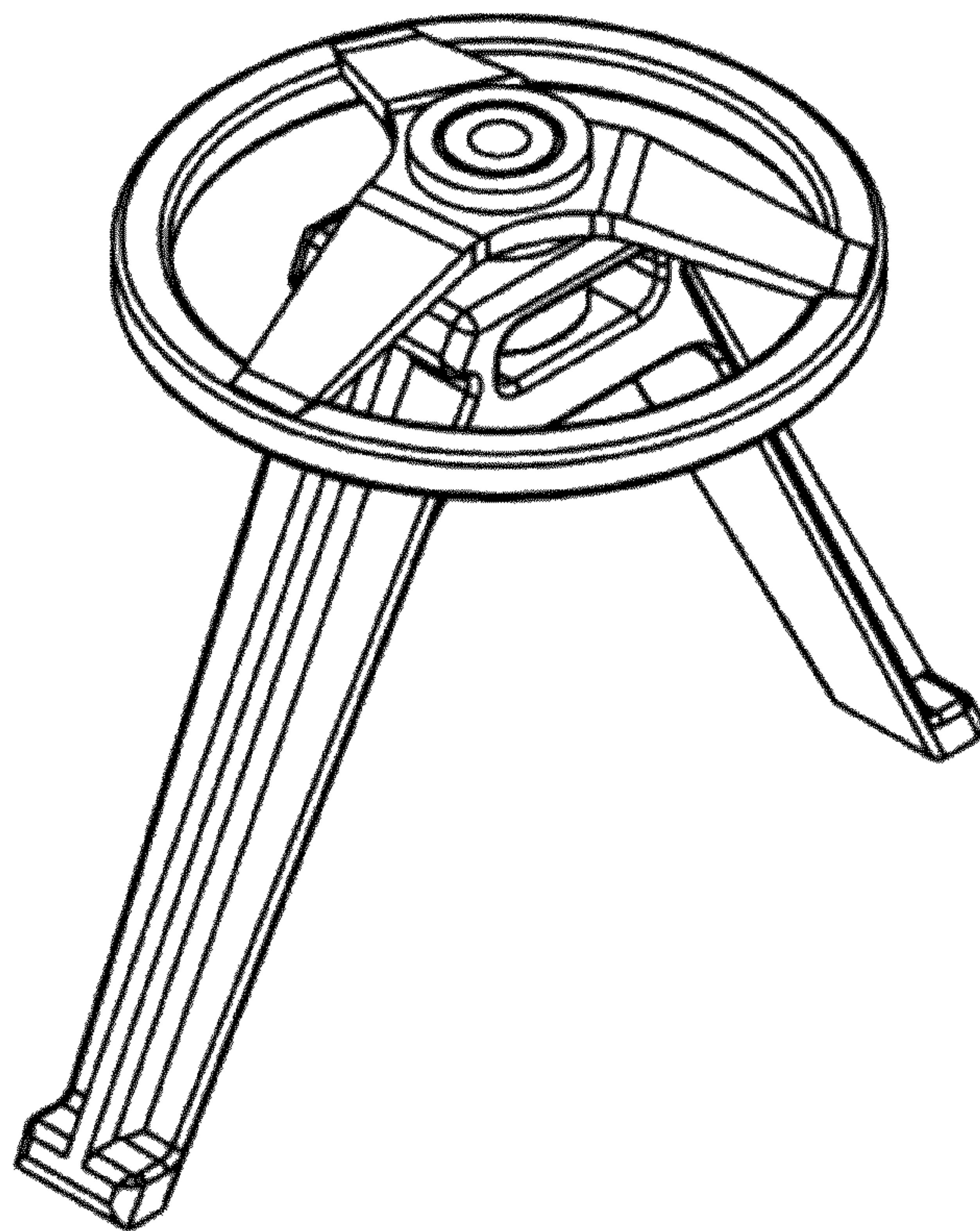


Fig. 17

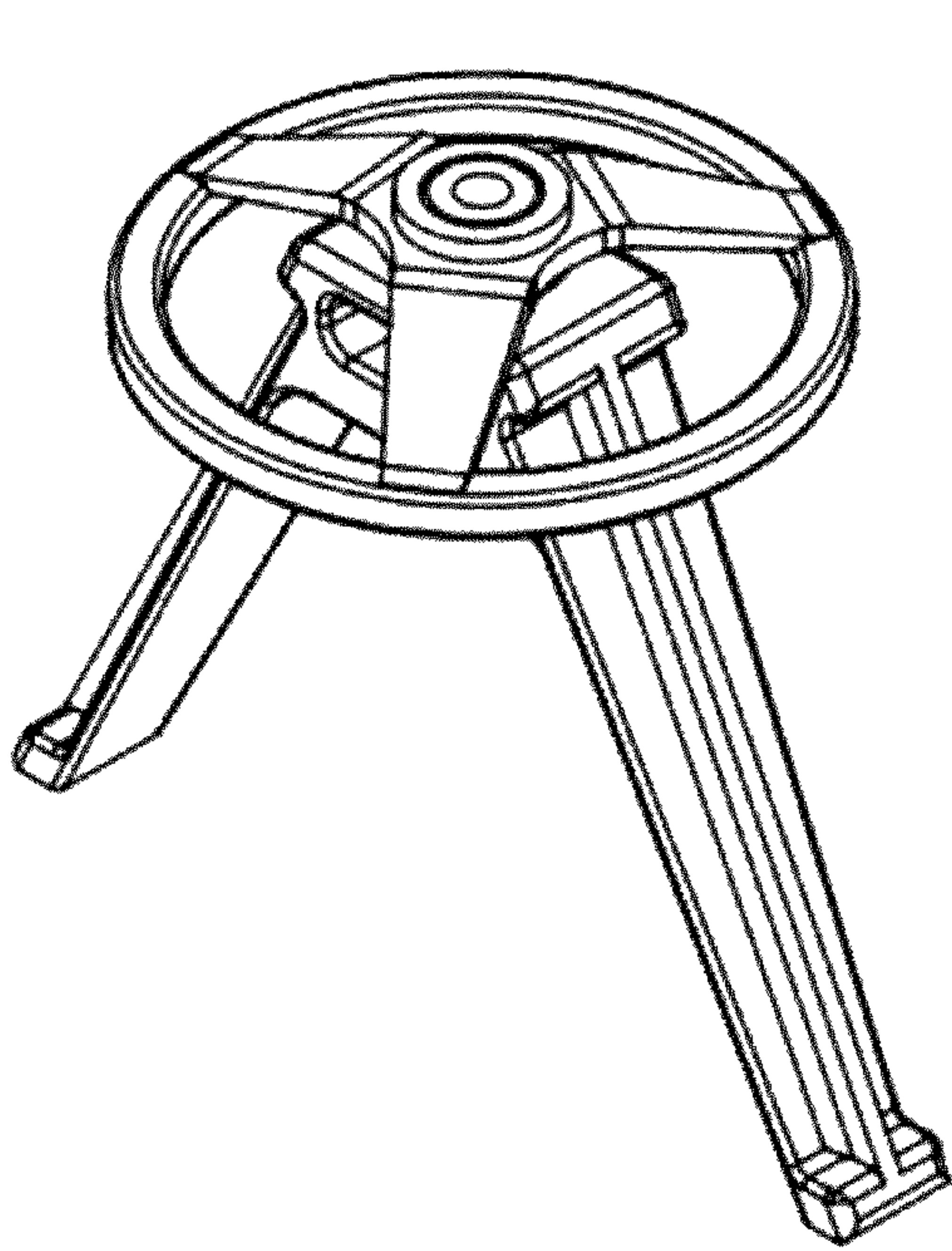


Fig. 18

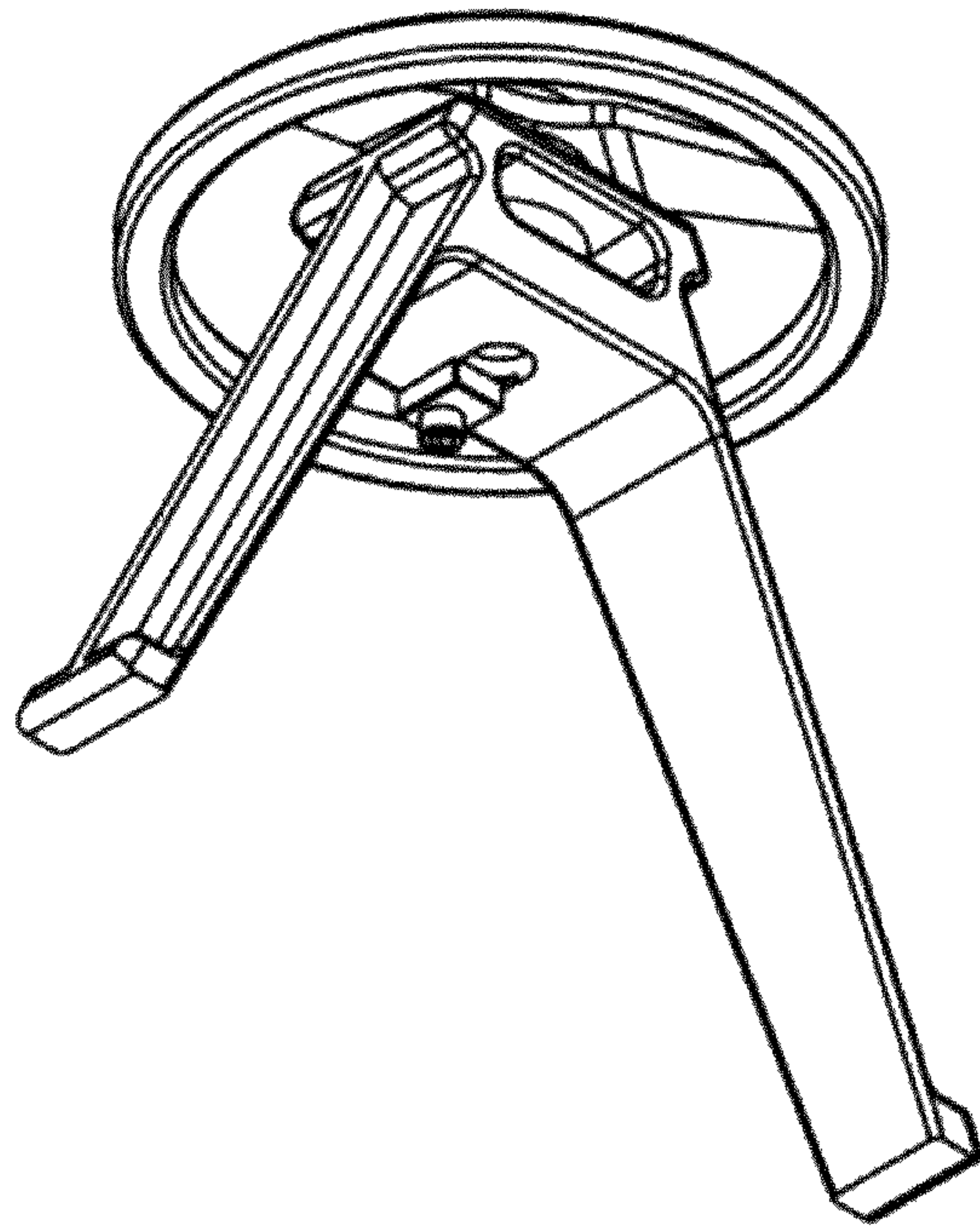


Fig. 19

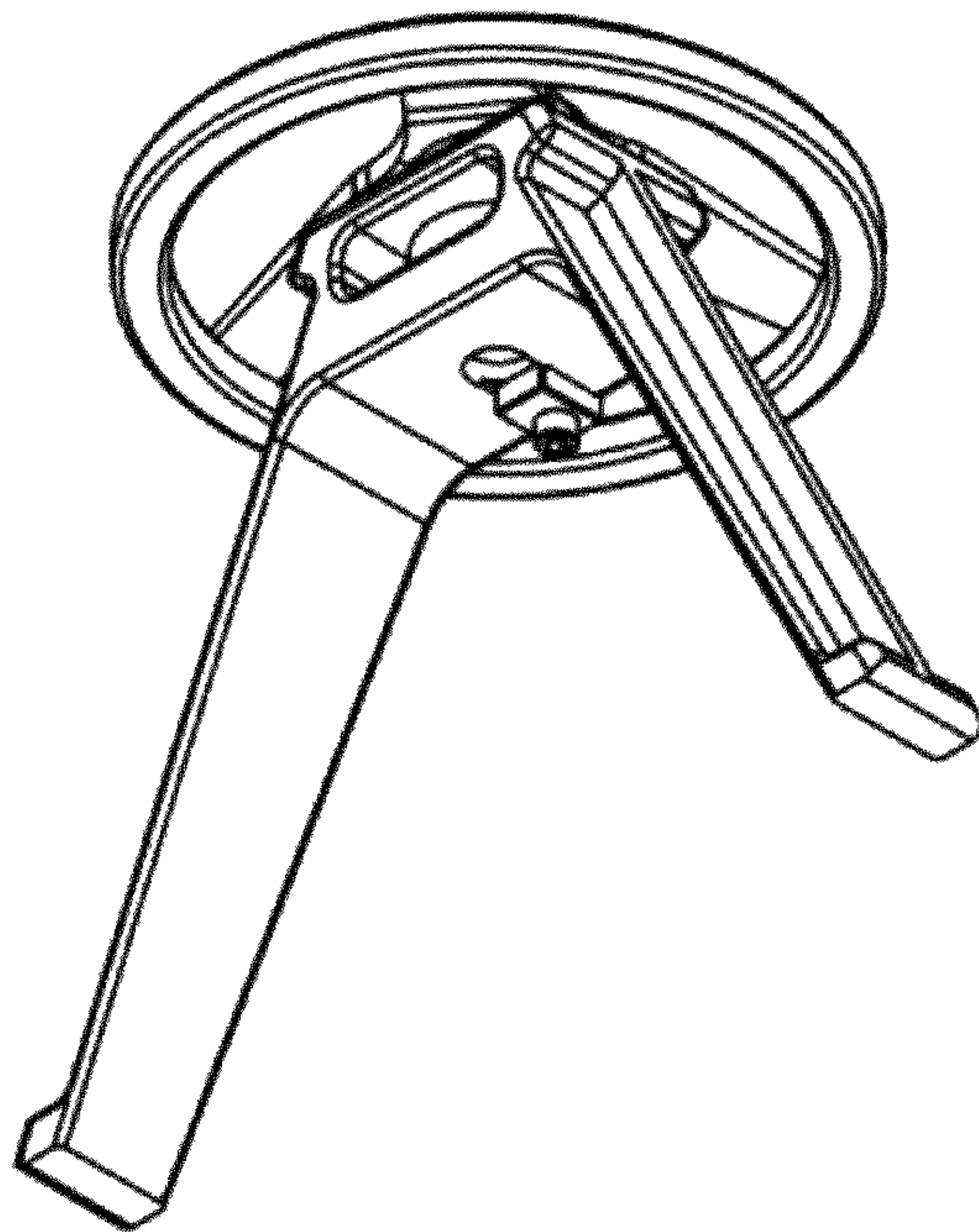


Fig. 20