

US00D666687S

(12) **United States Design Patent**  
**Nierenberg**

(10) **Patent No.:** **US D666,687 S**

(45) **Date of Patent:** **\*\* Sep. 4, 2012**

(54) **RIFLE BRAKE**

(75) **Inventor:** **Robert Chester Nierenberg**, Honolulu,  
HI (US)

(73) **Assignee:** **Grip Holdings, LLC**, Honolulu, HI  
(US)

(\*\*) **Term:** **14 Years**

(21) **Appl. No.:** **29/378,949**

(22) **Filed:** **Nov. 11, 2010**

(51) **LOC (9) Cl.** ..... **22-01**

(52) **U.S. Cl.** ..... **D22/108**

(58) **Field of Classification Search** ..... D22/100,  
D22/104, 108, 199; 42/59, 71.01–71.02,  
42/72–74; D21/572–574; D16/130

See application file for complete search history.

(56) **References Cited**

U.S. PATENT DOCUMENTS

D158,792 S *	5/1950	Powell	.....	D22/108
D158,794 S *	5/1950	Powell	.....	D22/108
5,596,161 A *	1/1997	Sommers	.....	89/14.2
7,861,636 B1 *	1/2011	Hoffman	.....	89/14.2
2010/0282056 A1 *	11/2010	Hung	.....	89/14.2

\* cited by examiner

*Primary Examiner* — Michael A Pratt  
(74) *Attorney, Agent, or Firm* — Forrest Law Office, P.C.

(57) **CLAIM**  
The ornamental design for a rifle brake, as shown.

**DESCRIPTION**

FIG. 1 is an upper perspective view of a rifle brake according to the present invention.  
FIG. 2 is a front view of the rifle brake in FIG. 1.  
FIG. 3 is a right side view of the rifle brake in FIG. 1.  
FIG. 4 is a left side view of the rifle brake in FIG. 1.  
FIG. 5 is a back view of the rifle brake in FIG. 1.  
FIG. 6 is a top view of the rifle brake in FIG. 1; and,  
FIG. 7 is a bottom view of the rifle brake in FIG. 1.

**1 Claim, 4 Drawing Sheets**

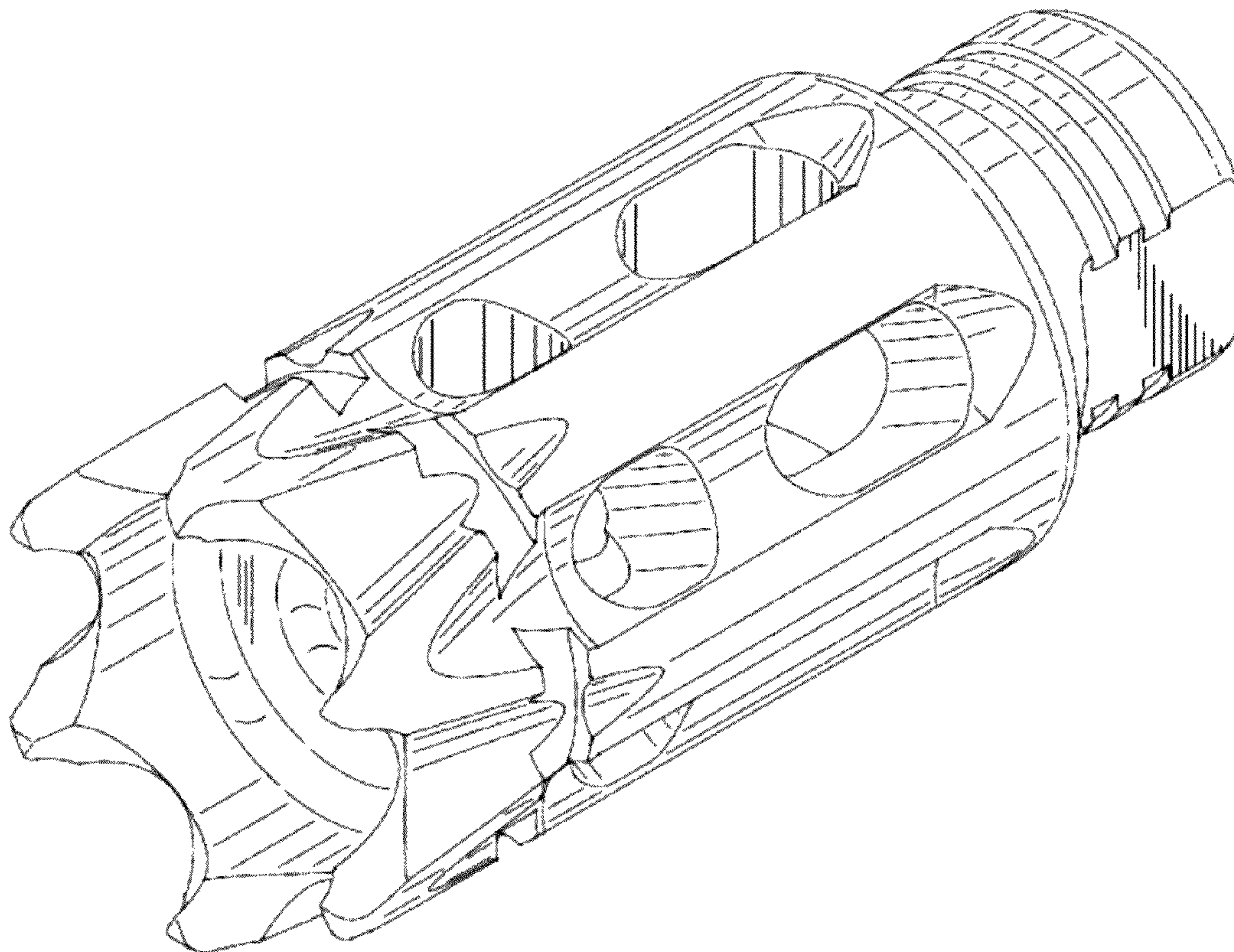


FIG. 1

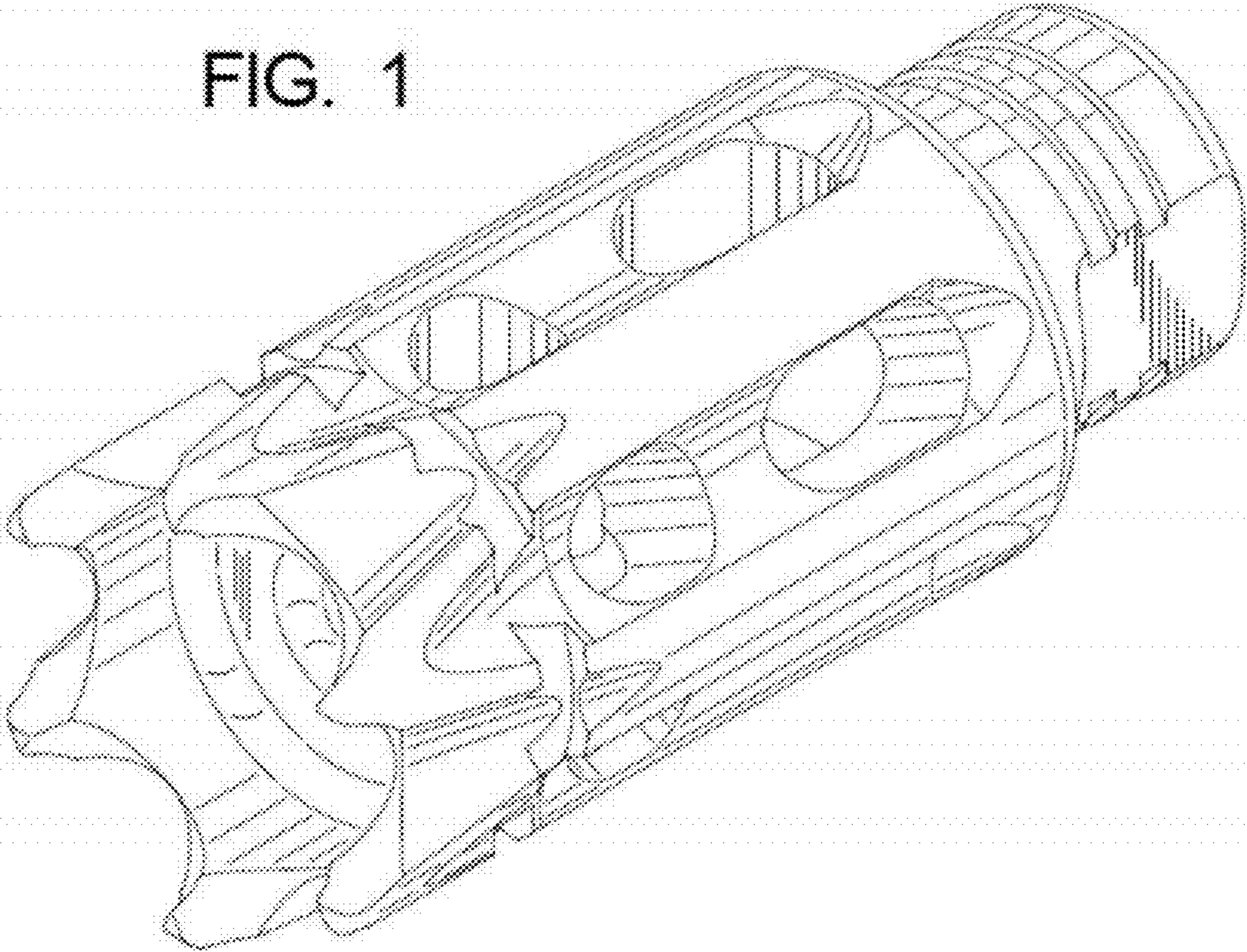


FIG. 2

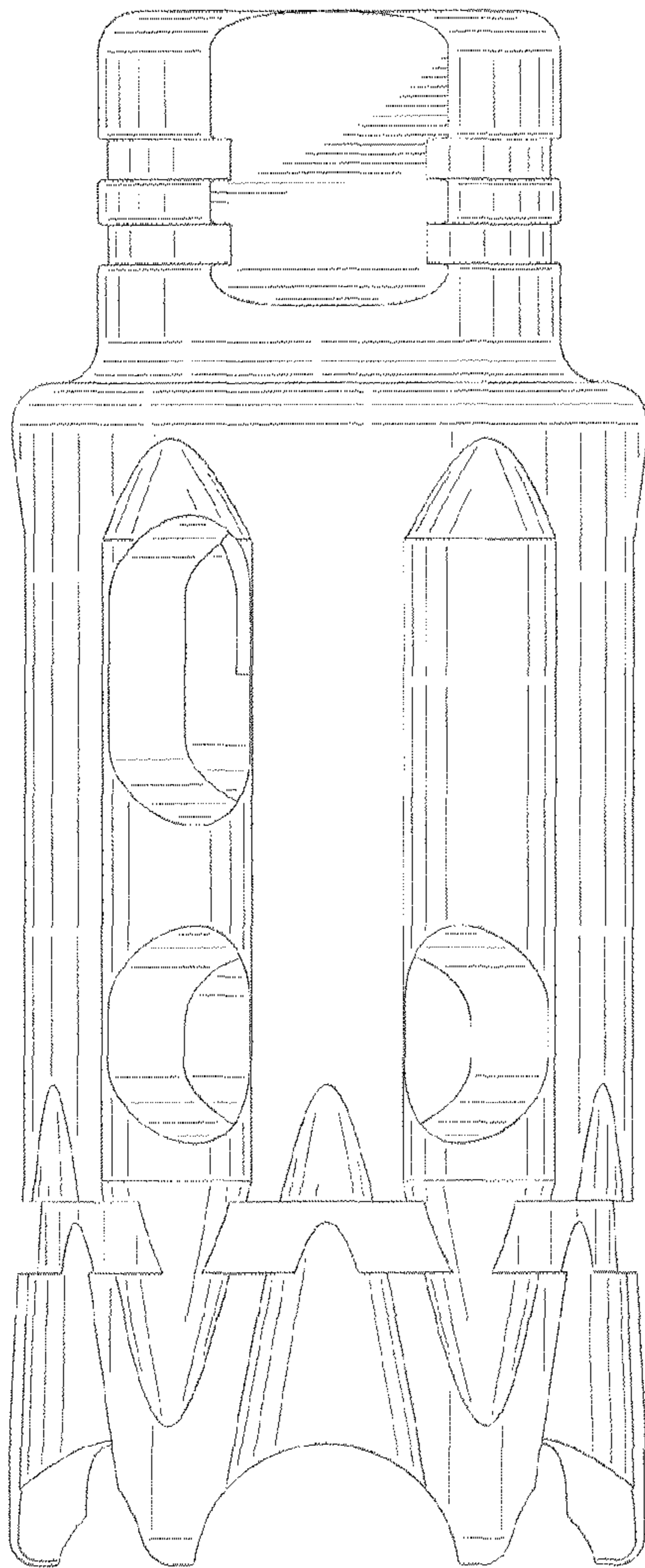


FIG. 3

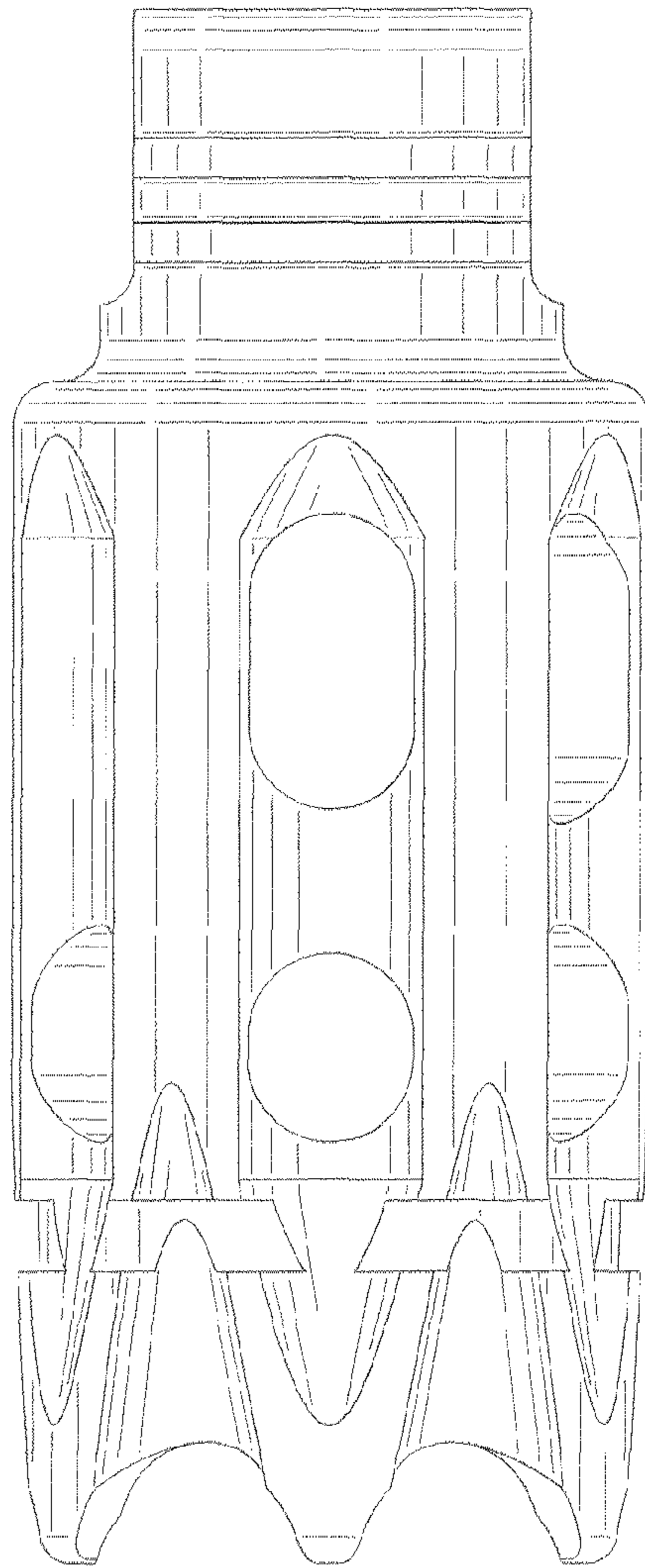


FIG. 4

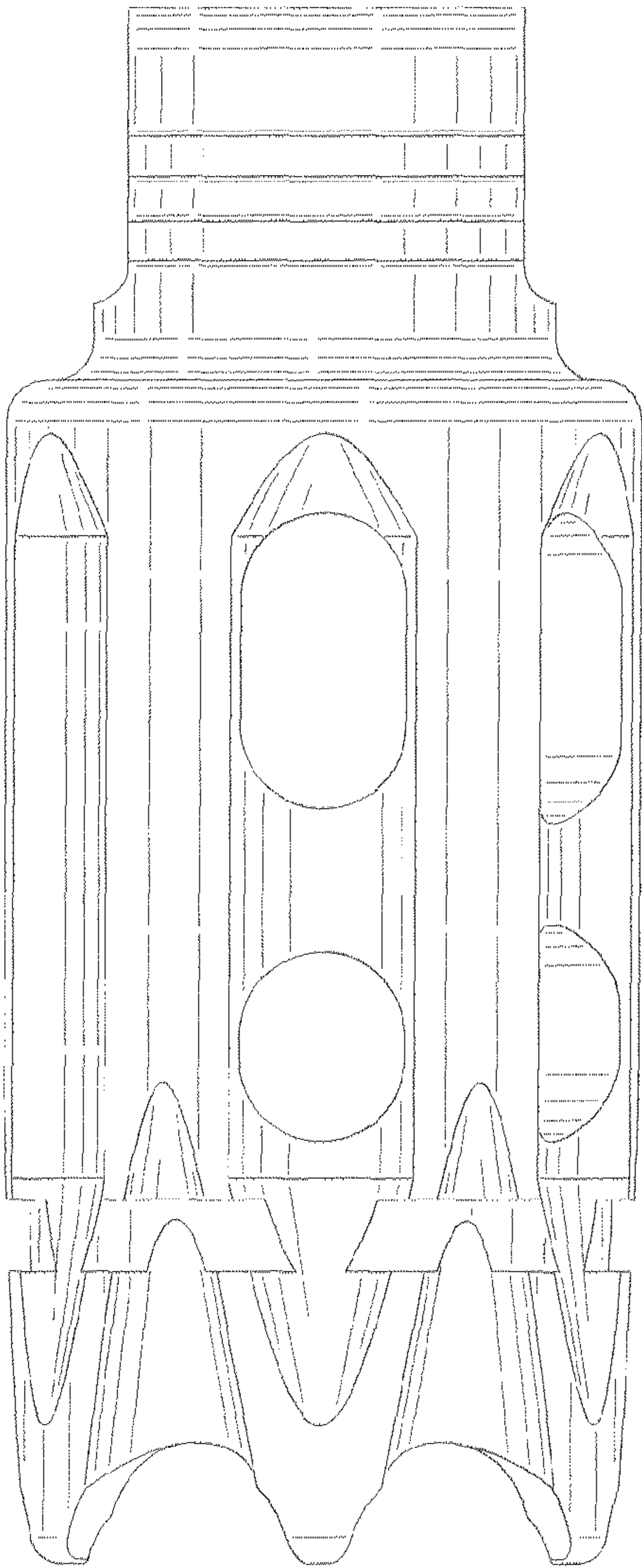


FIG. 5

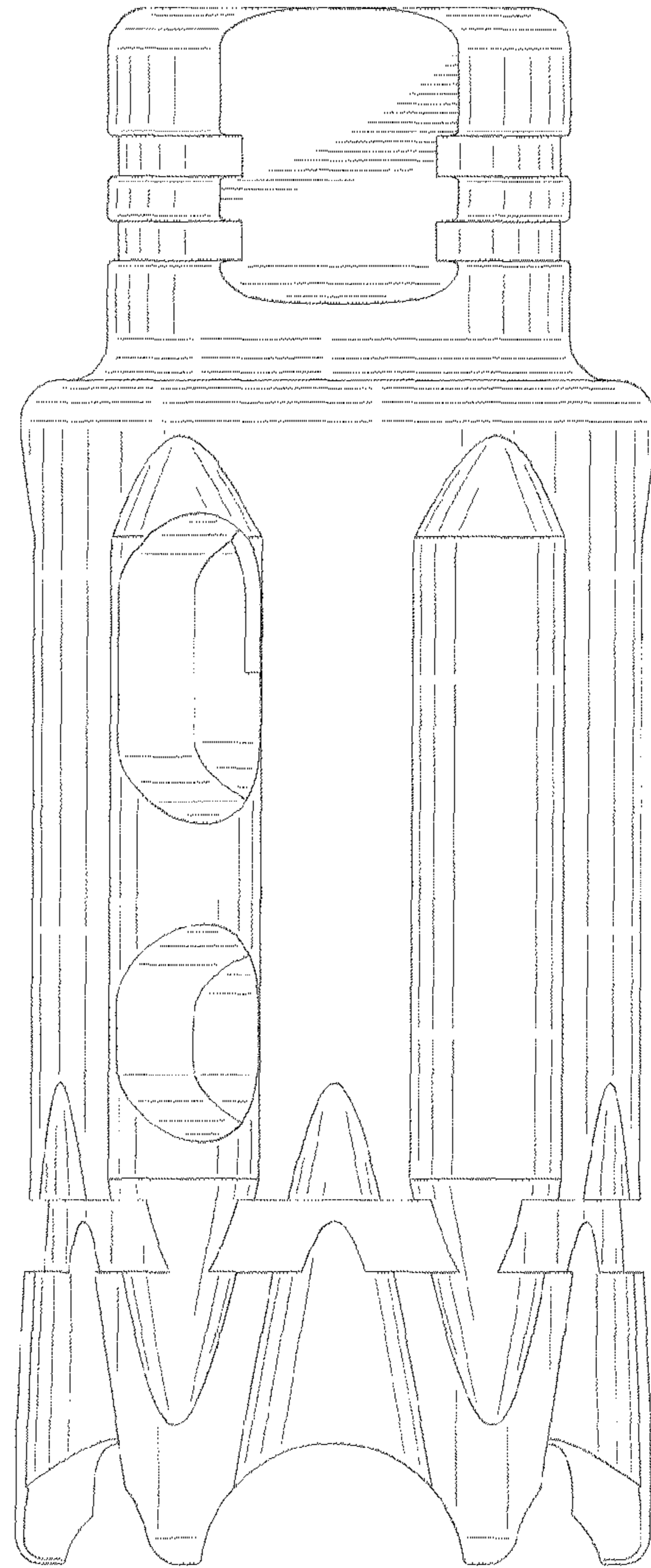


FIG. 6

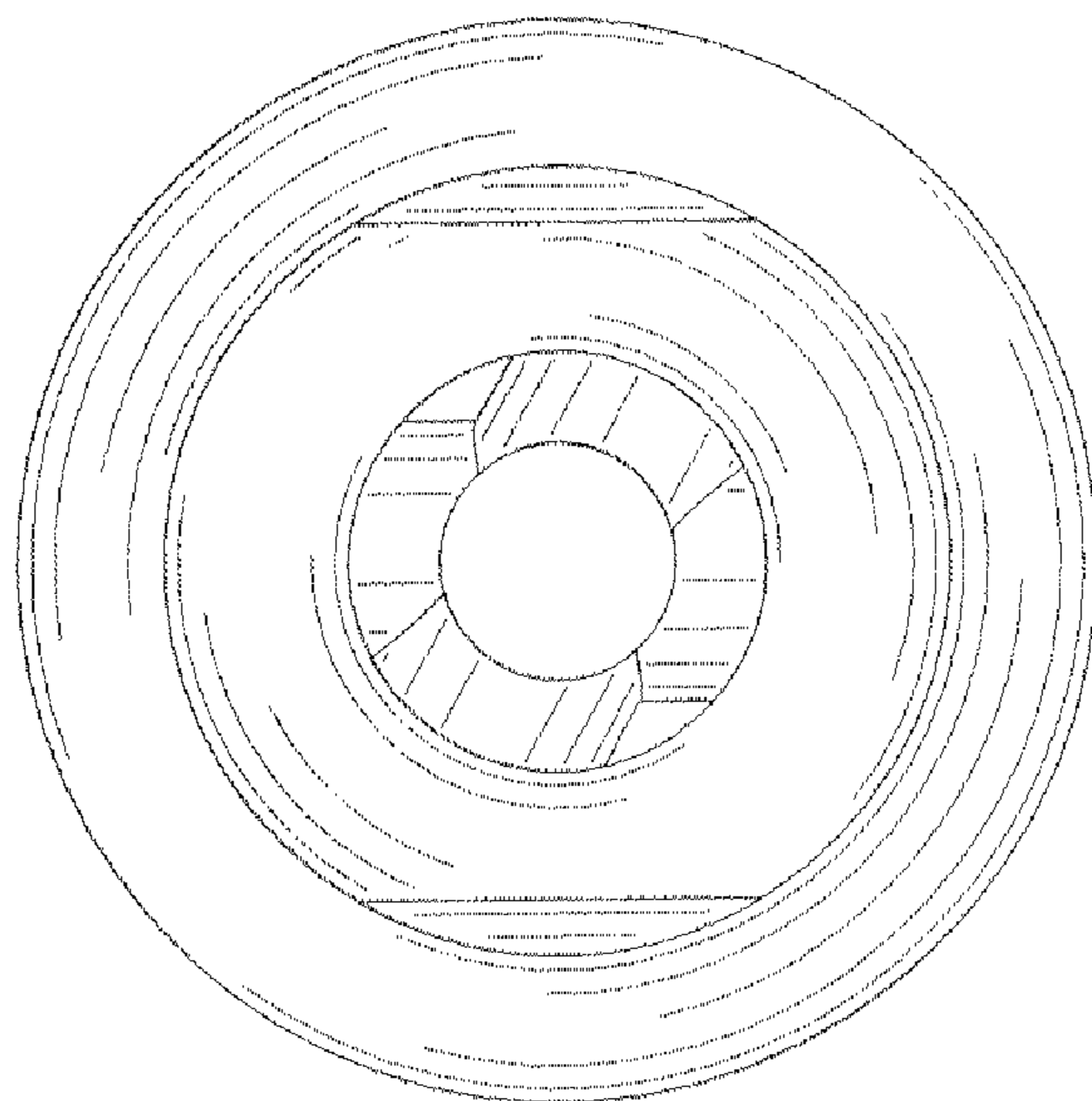


FIG. 7

