



US00D666684S

(12) **United States Design Patent**
Meininger et al.

(10) **Patent No.:** **US D666,684 S**

(45) **Date of Patent:** **** Sep. 4, 2012**

(54) **UPPER BODY EXERCISE DEVICE**

(75) Inventors: **Justin B. Meininger**, Miami Beach, FL
(US); **Steven J. Miller**, Tamarac, FL
(US)

(73) Assignee: **Meant-2-Move LLC**, Tamarac, FL (US)

(**) Term: **14 Years**

(21) Appl. No.: **29/403,519**

(22) Filed: **Oct. 6, 2011**

Related U.S. Application Data

(63) Continuation-in-part of application No. 29/387,781,
filed on Mar. 17, 2011, now Pat. No. Des. 653,714.

(51) **LOC (9) Cl.** **21-02**

(52) **U.S. Cl.** **D21/662; D21/686**

(58) **Field of Classification Search** D21/662,
D21/679, 680, 684, 686, 694; 482/8, 91,
482/92, 95, 96, 104-110, 132, 141, 148
See application file for complete search history.

(56) **References Cited**

U.S. PATENT DOCUMENTS

4,768,778	A *	9/1988	Thomas, Jr.	482/141
D308,559	S *	6/1990	Beck	D21/684
5,358,463	A *	10/1994	Fuentes	482/141
D374,045	S *	9/1996	Ward, III	D21/686
5,766,112	A *	6/1998	Chuan	482/44

5,766,119	A *	6/1998	Clark	482/146
D491,777	S *	6/2004	Wenisch	D8/45
7,481,753	B2 *	1/2009	James et al.	482/140
7,503,884	B1 *	3/2009	Schall	482/141
7,896,788	B1 *	3/2011	Schall	482/141
7,909,746	B2 *	3/2011	Gant	482/141
8,157,713	B1 *	4/2012	Siskowic et al.	482/141
2005/0085352	A1 *	4/2005	Baxter	482/100
2006/0040809	A1 *	2/2006	Godbold	482/141
2009/0149305	A1 *	6/2009	Abdallah	482/141
2009/0186750	A1 *	7/2009	Hauser et al.	482/141
2010/0210431	A1 *	8/2010	Hinton et al.	482/141
2010/0317496	A1 *	12/2010	Abranchess	482/141

* cited by examiner

Primary Examiner — Susan E Krakower

(74) *Attorney, Agent, or Firm* — The Miller Law Offices
PLC; Steven J. Miller, Esq.

(57) **CLAIM**

The ornamental design for an upper body exercise device, as
shown and described.

DESCRIPTION

FIG. 1 is a perspective view of the topside of an upper body
exercise device;

FIG. 2 is a side elevation view thereof;

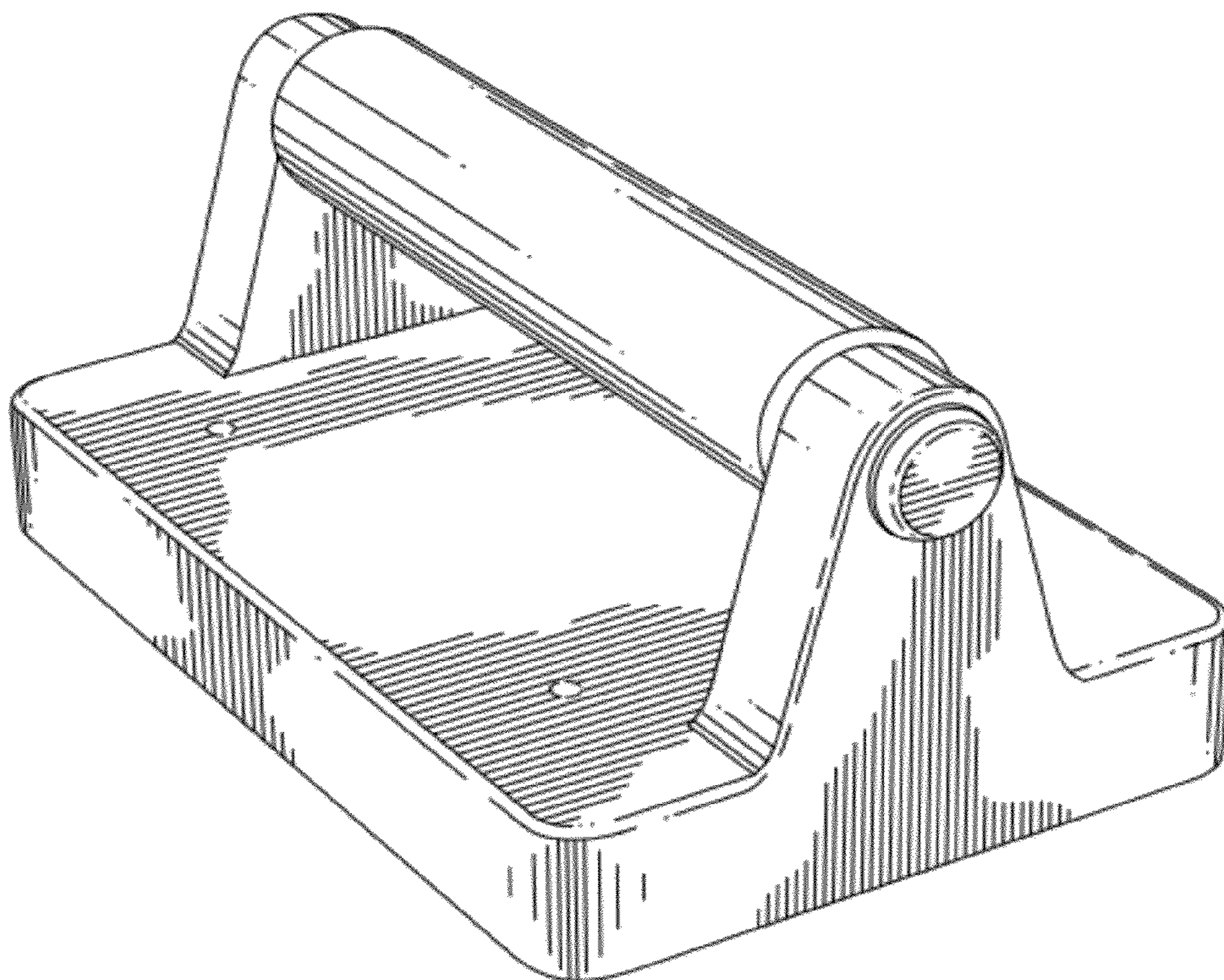
FIG. 3 is an end elevation view thereof;

FIG. 4 is a top plan view thereof; and,

FIG. 5 is a bottom plan view thereof.

The broken lines illustrate portions of the upper body exercise
device which form no part of the claimed design.

1 Claim, 3 Drawing Sheets



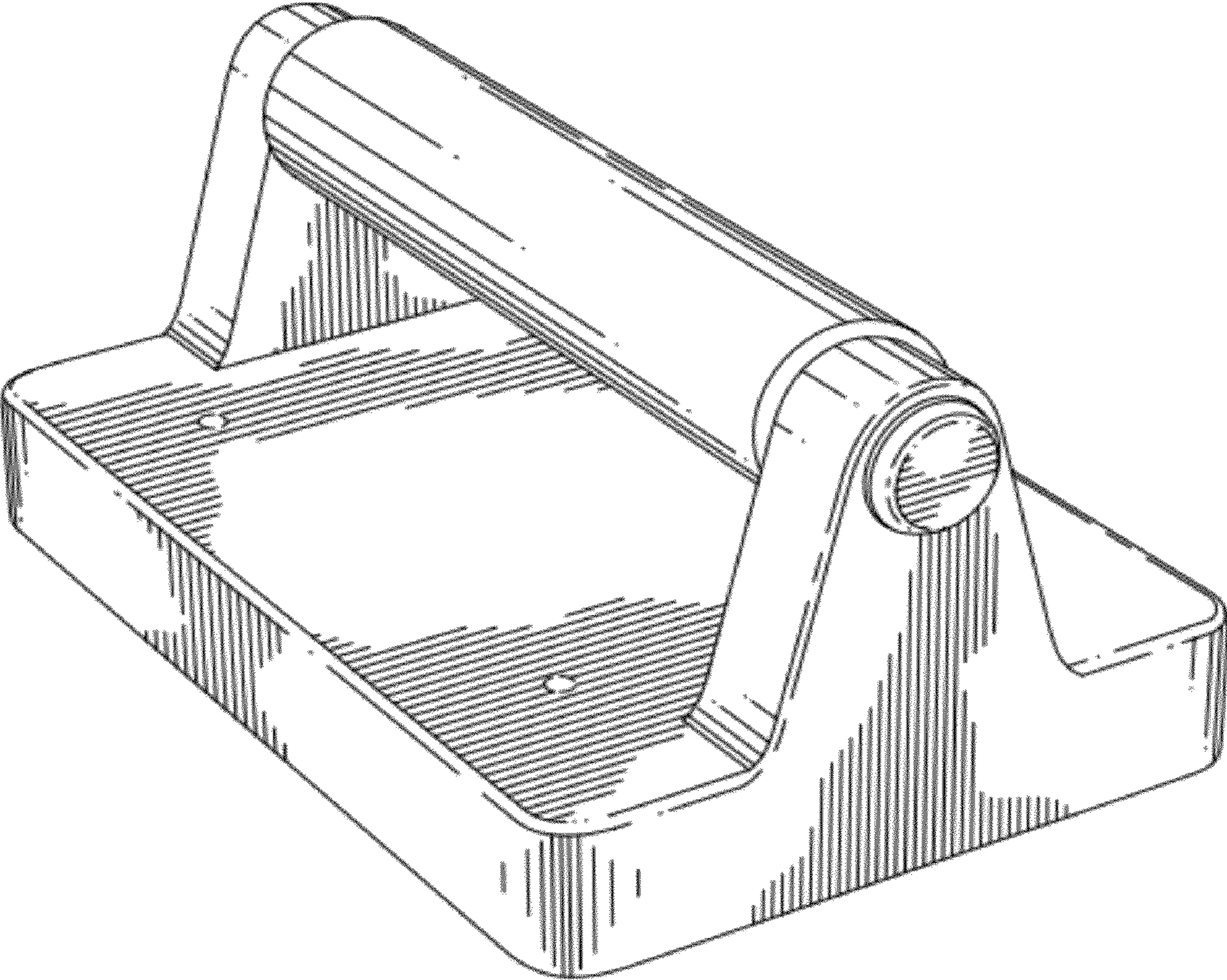


FIG. 1

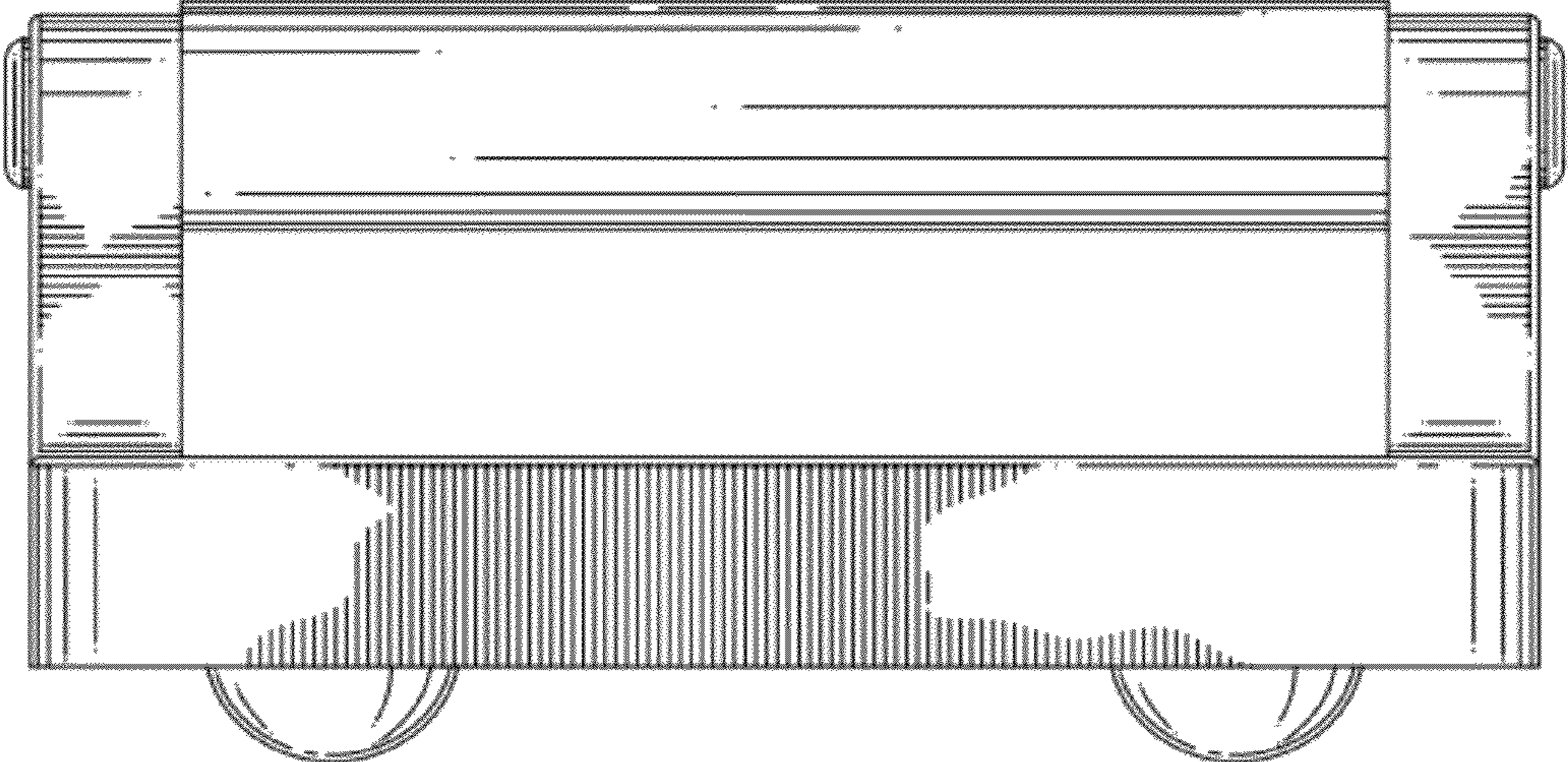


FIG. 2

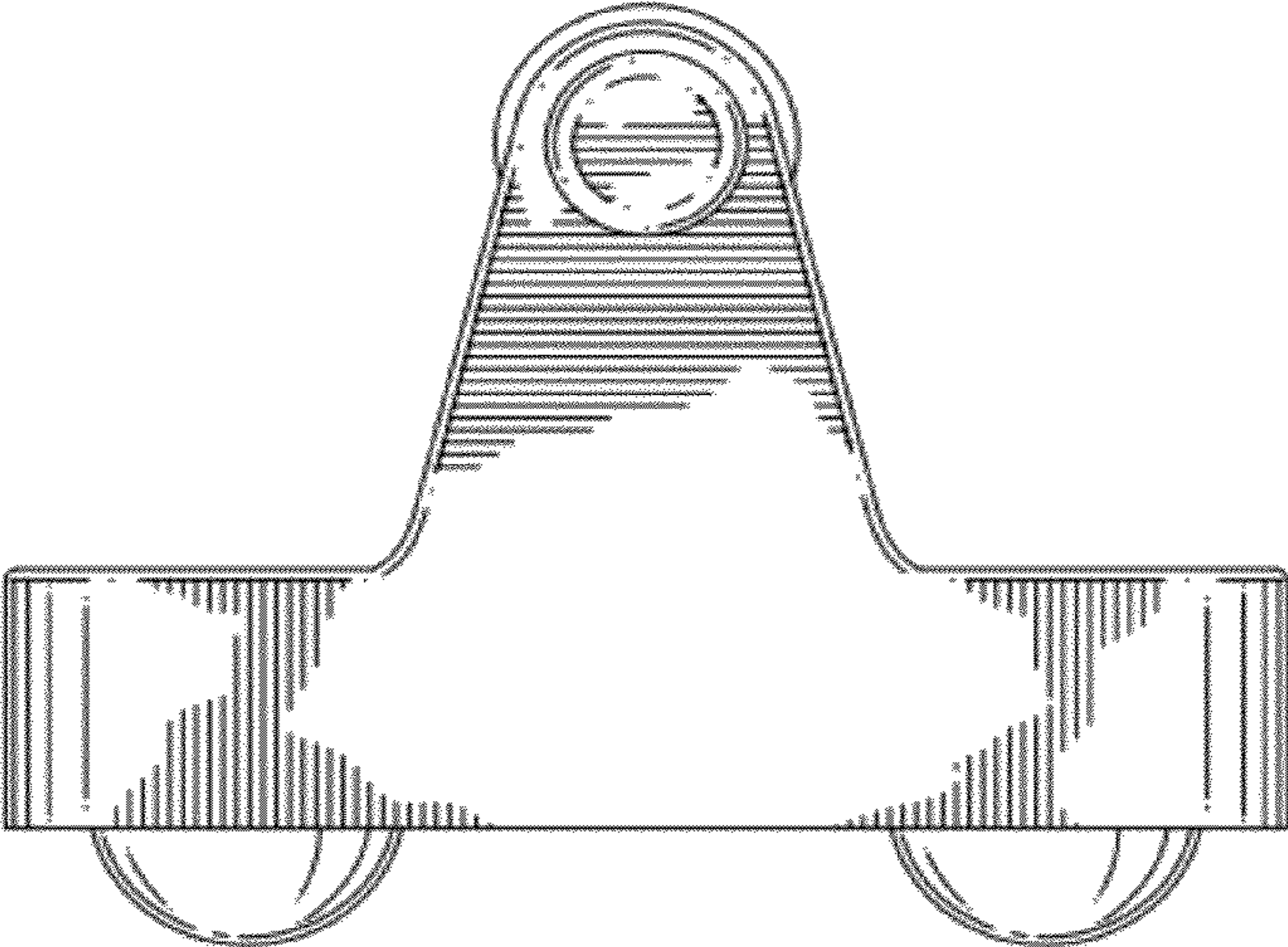


FIG. 3

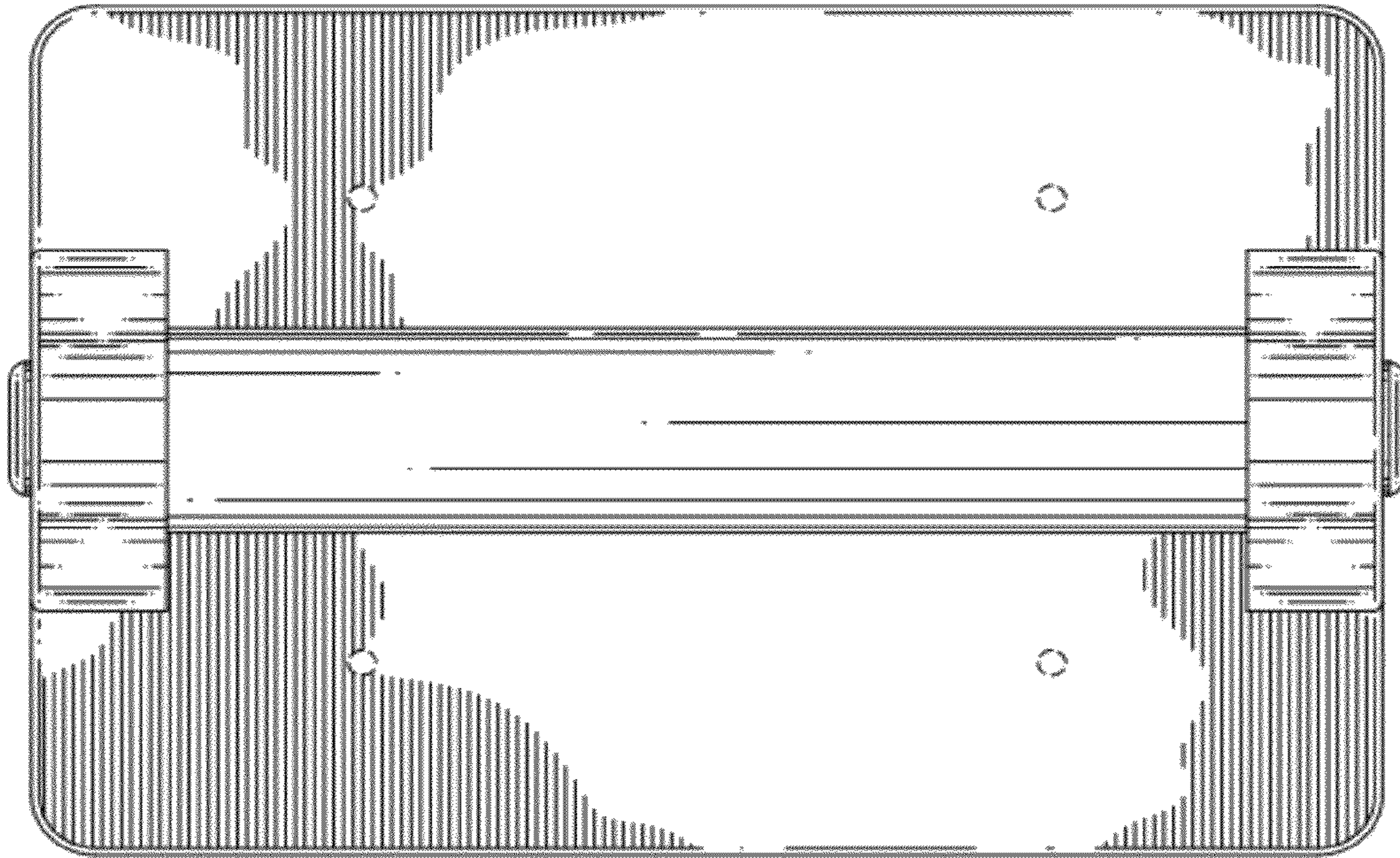


FIG. 4

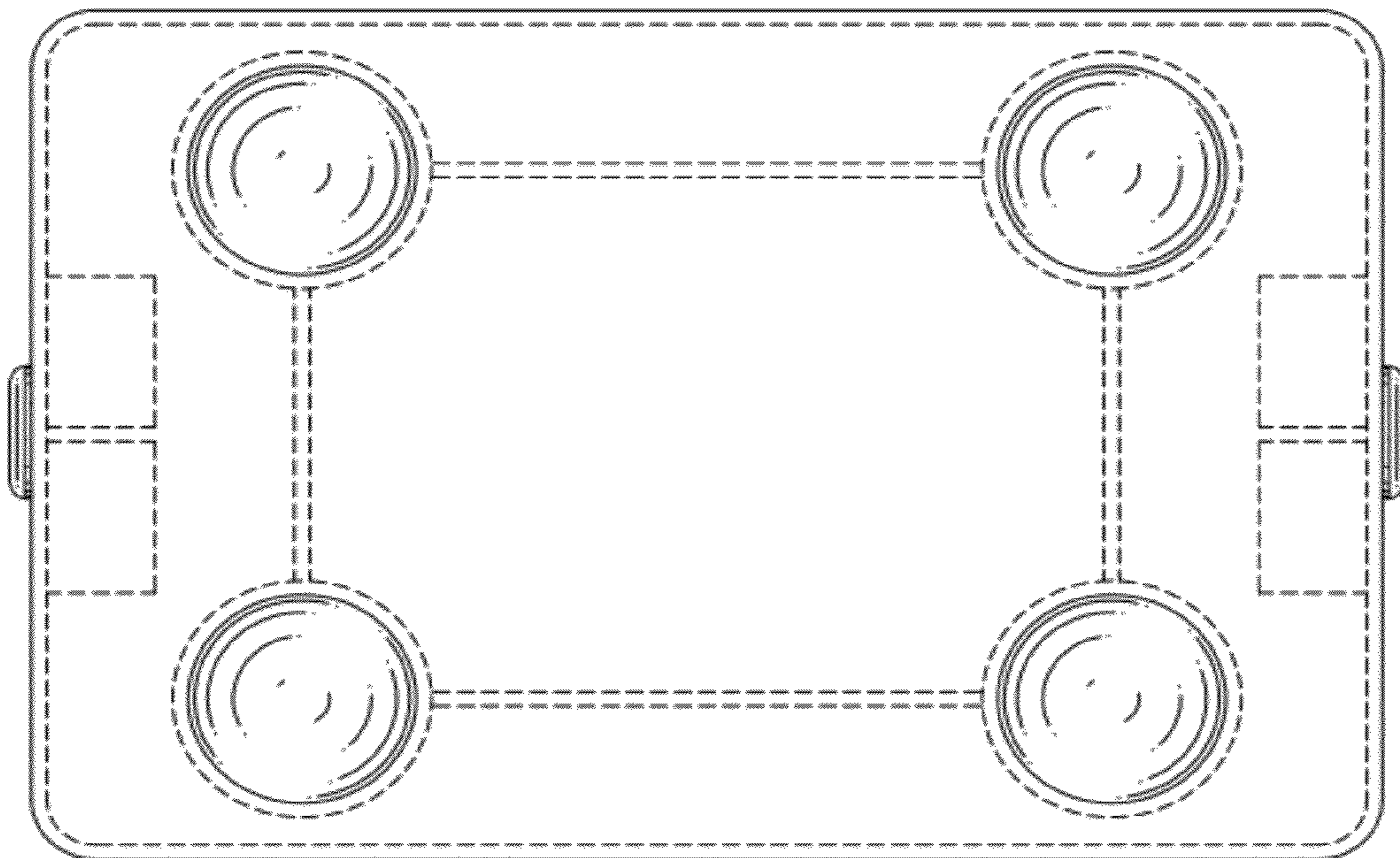


FIG. 5