



US00D666681S

(12) **United States Design Patent**  
**Coulter**

(10) **Patent No.:** **US D666,681 S**

(45) **Date of Patent:** **\*\* Sep. 4, 2012**

(54) **VIDEO GAME ADJUSTABLE CONTROLLER TRIGGER**

(76) Inventor: **Todd Coulter**, Memphis, TN (US)

(\*\*) Term: **14 Years**

(21) Appl. No.: **29/406,102**

(22) Filed: **Nov. 10, 2011**

(51) **LOC (9) Cl.** ..... **14-02**

(52) **U.S. Cl.** ..... **D21/454; D14/400; D21/333**

(58) **Field of Classification Search** ..... D21/324,  
D21/328, 333, 385, 477, 566; D14/399-402,  
D14/412, 414, 416, 432, 454; 273/148 B,  
273/449, 441, 442; 463/1, 29-35, 46, 47;  
345/156, 161; 434/45, 46; 327/185, 230,  
327/219, 187

See application file for complete search history.

(56) **References Cited**

**U.S. PATENT DOCUMENTS**

5,666,138	A *	9/1997	Culver	345/161
5,747,953	A *	5/1998	Philipp	318/139
6,013,991	A *	1/2000	Philipp	318/139
6,585,545	B1 *	7/2003	Neisen	440/57
D487,749	S *	3/2004	Stewart et al.	D14/454
6,740,830	B2 *	5/2004	Sato et al.	200/343
6,769,689	B1 *	8/2004	Shimomura et al.	273/148 B
7,448,597	B2 *	11/2008	Jacobson et al.	254/274

\* cited by examiner

*Primary Examiner* — Prabhakar Deshmukh

(74) *Attorney, Agent, or Firm* — QuickPatents, Inc.; Kevin Prince

(57) **CLAIM**

I claim the ornamental design for a video game adjustable controller trigger, as shown and described.

**DESCRIPTION**

FIG. 1 is a rear perspective view of a video game adjustable controller trigger, showing a first embodiment of my new design;

FIG. 2 is a front perspective view thereof;

FIG. 3 is a front elevational view thereof;

FIG. 4 is a rear elevational view thereof;

FIG. 5 is a right-side elevational view thereof;

FIG. 6 is a left-side elevational view thereof;

FIG. 7 is a top plan view thereof;

FIG. 8 is a bottom plan view thereof;

FIG. 9 is a front perspective view of a second embodiment thereof;

FIG. 10 is a front elevational view of FIG. 9;

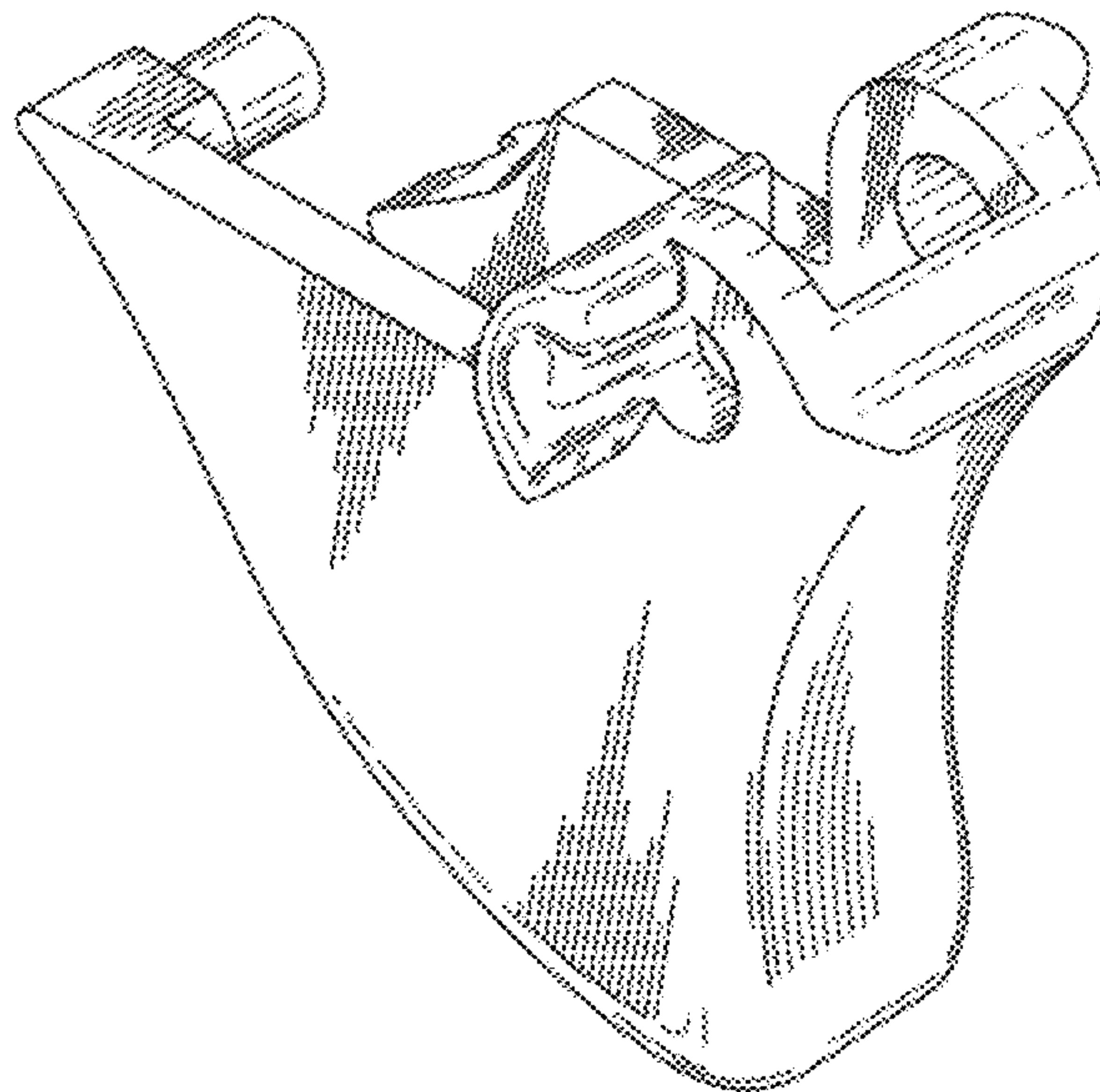
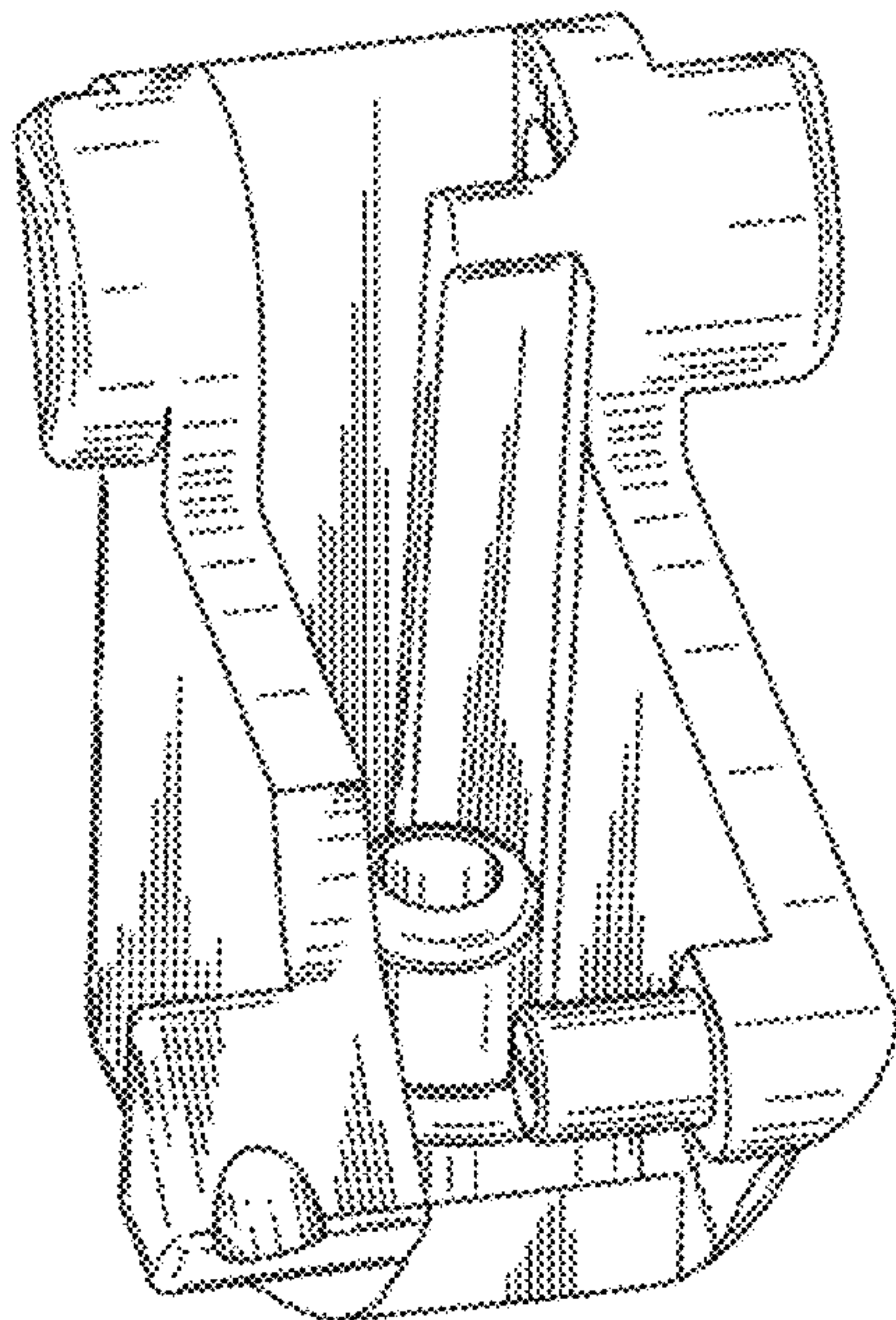
FIG. 11 is a rear elevational view of FIG. 9;

FIG. 12 is a top plan view of FIG. 9; and,

FIG. 13 is a bottom plan view of FIG. 9.

It is understood that the left and right side elevational views of both embodiments are identical.

**1 Claim, 7 Drawing Sheets**



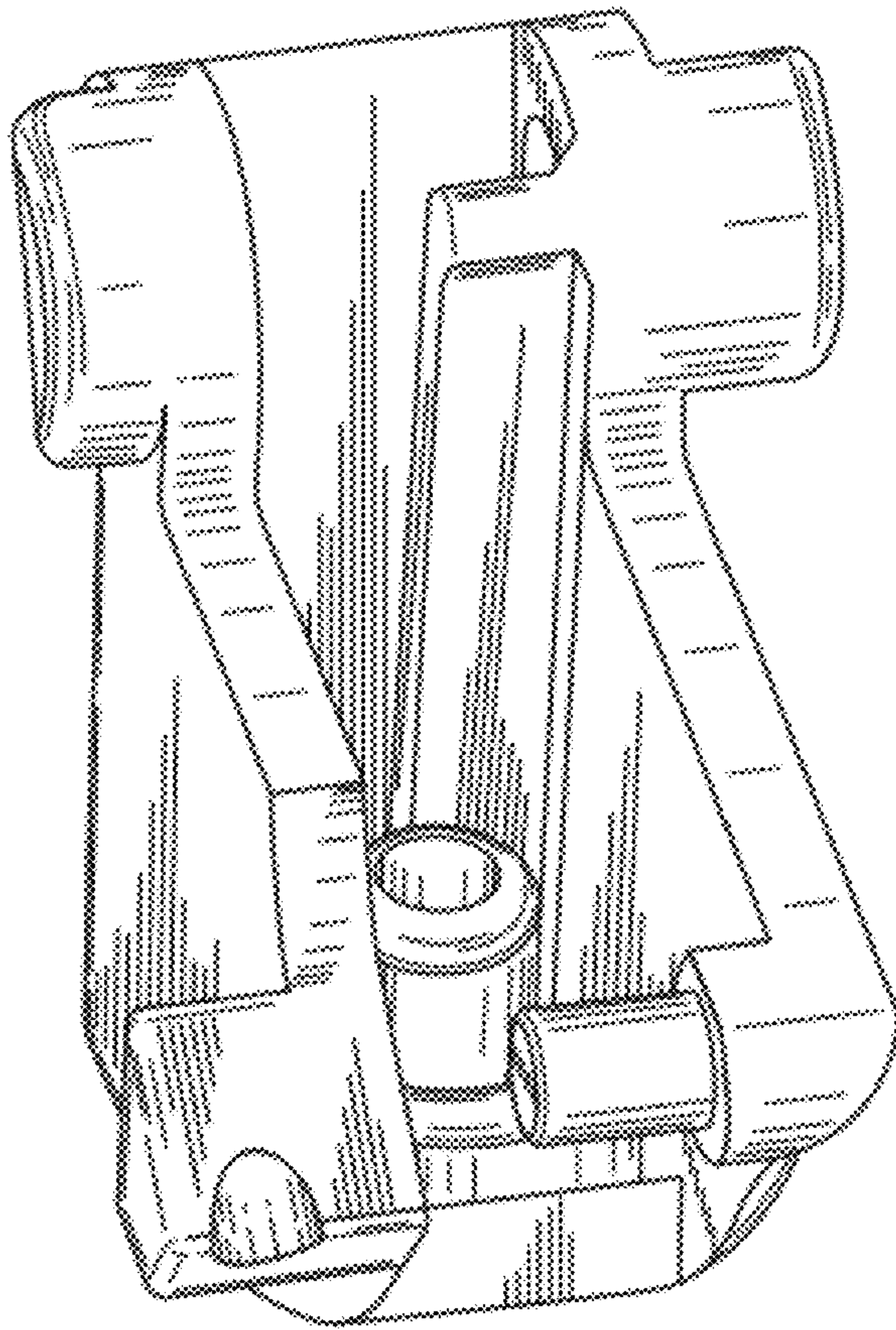


FIG. 1

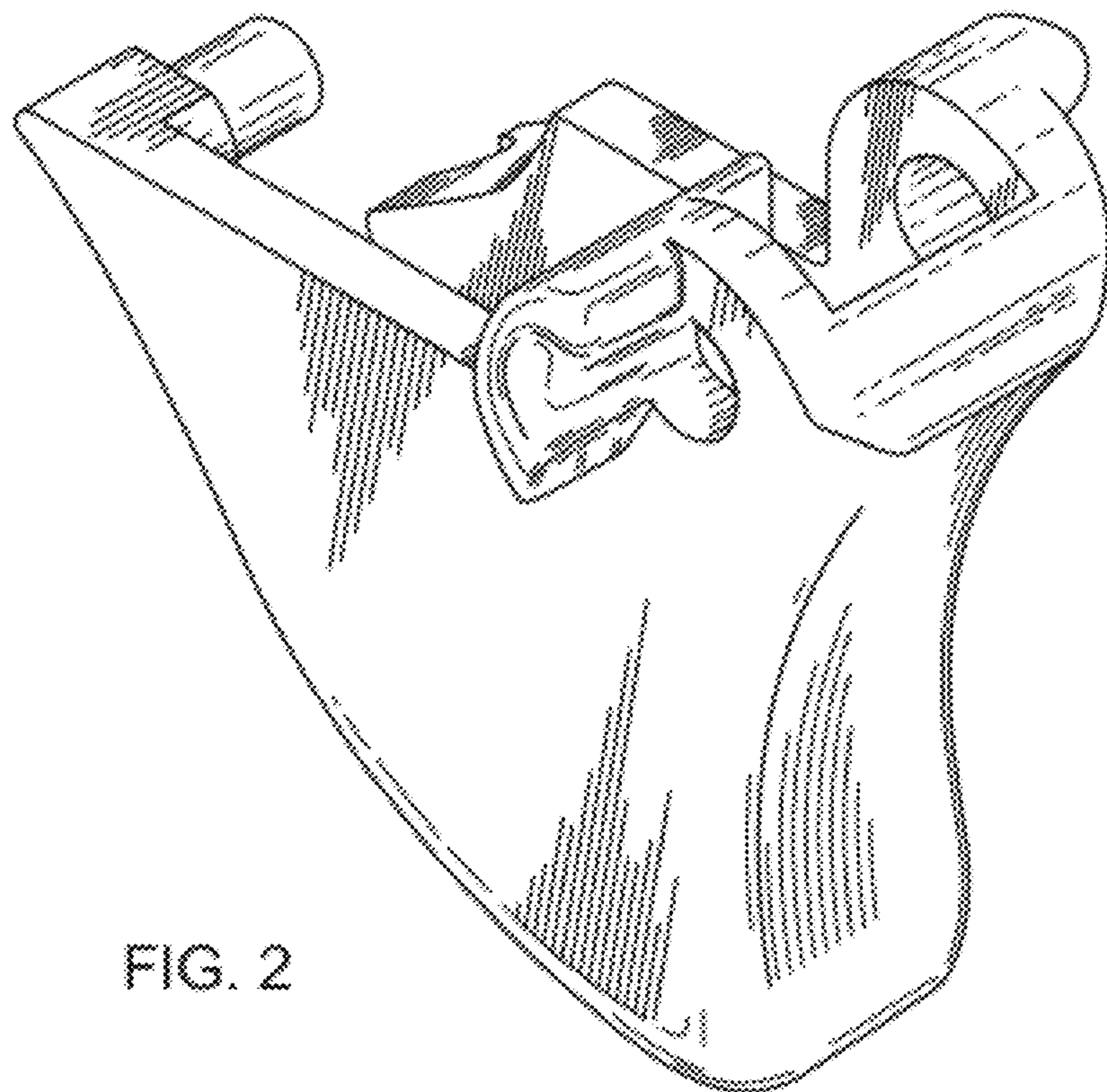


FIG. 2



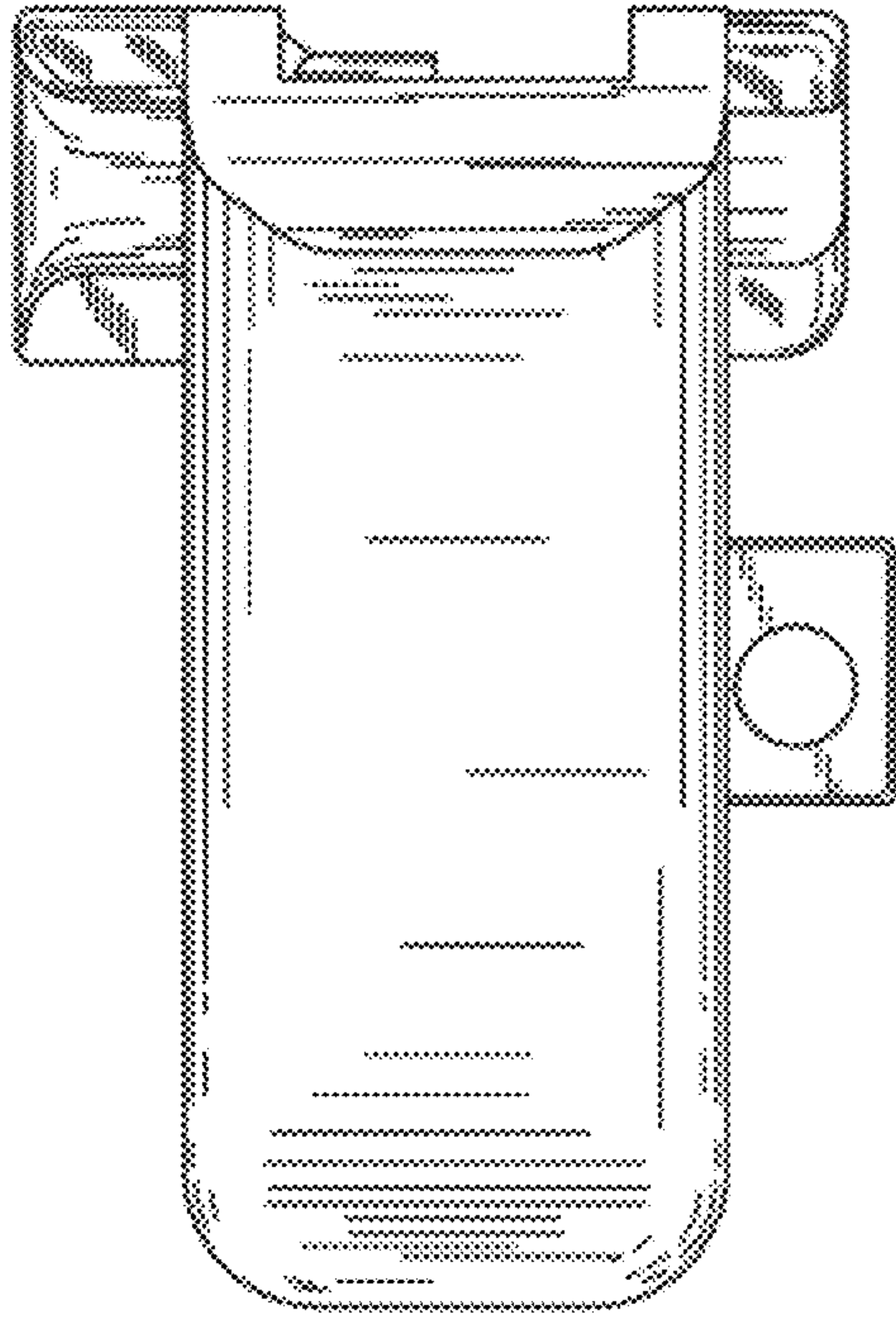


FIG. 3

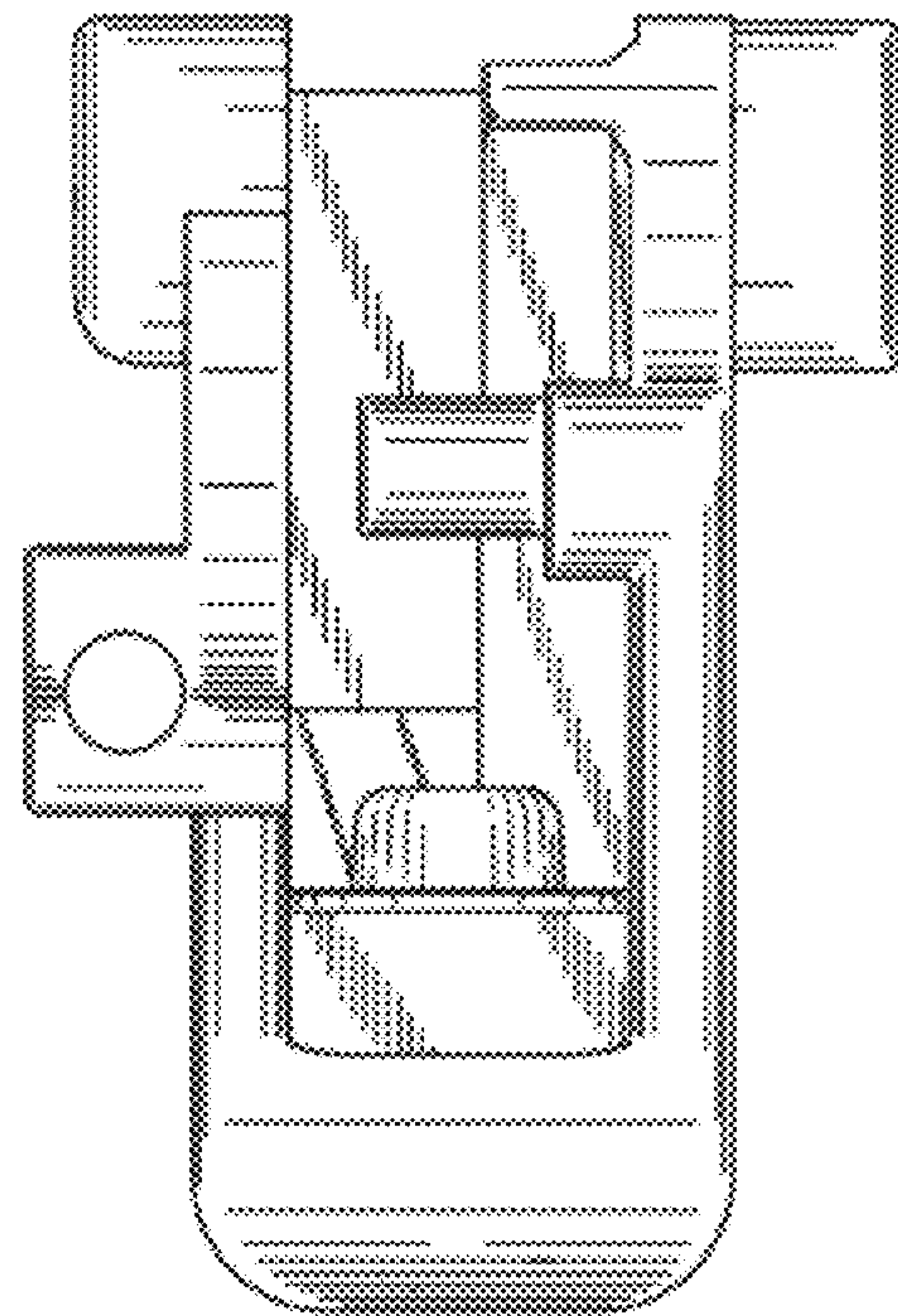


FIG. 4

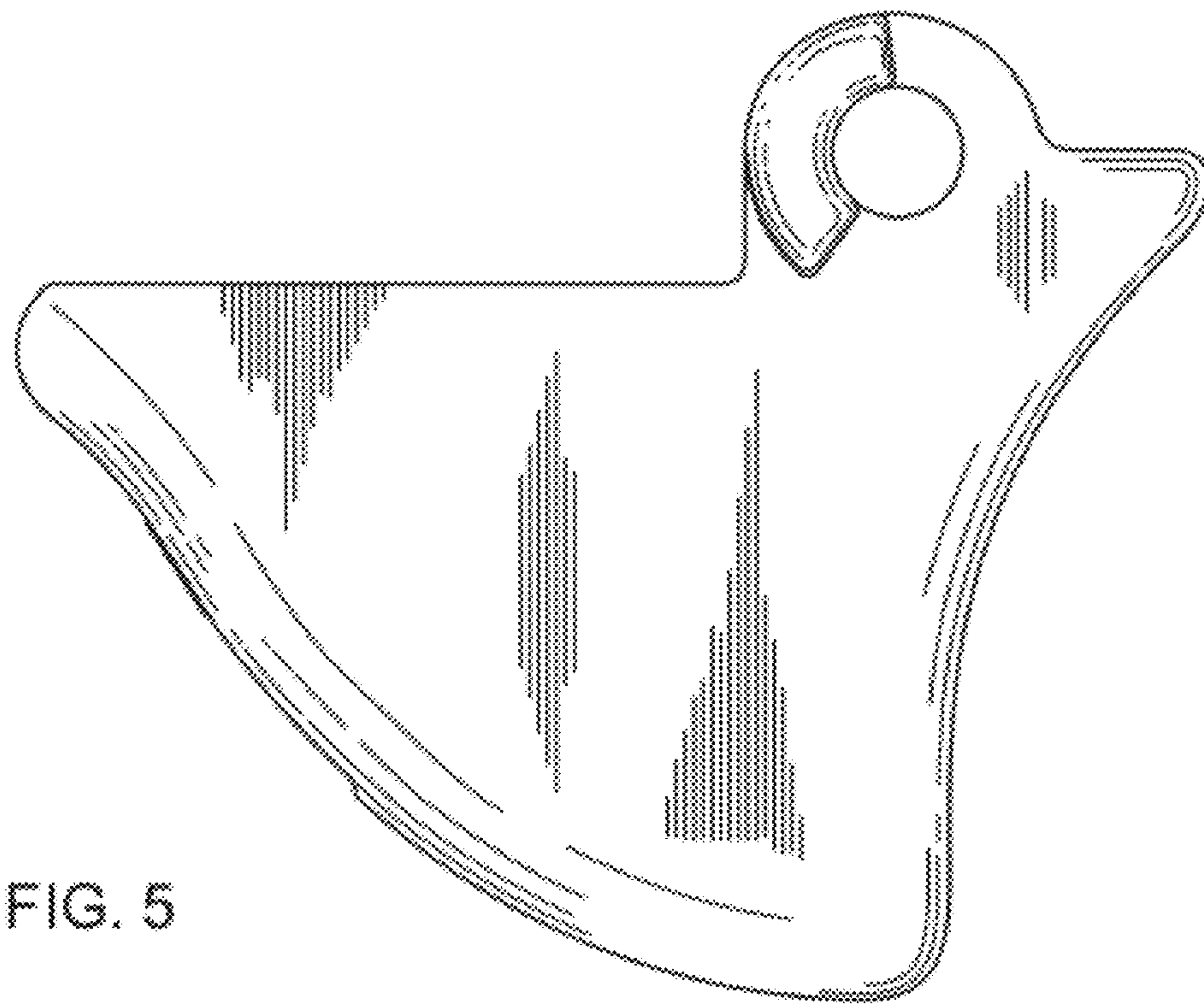


FIG. 5

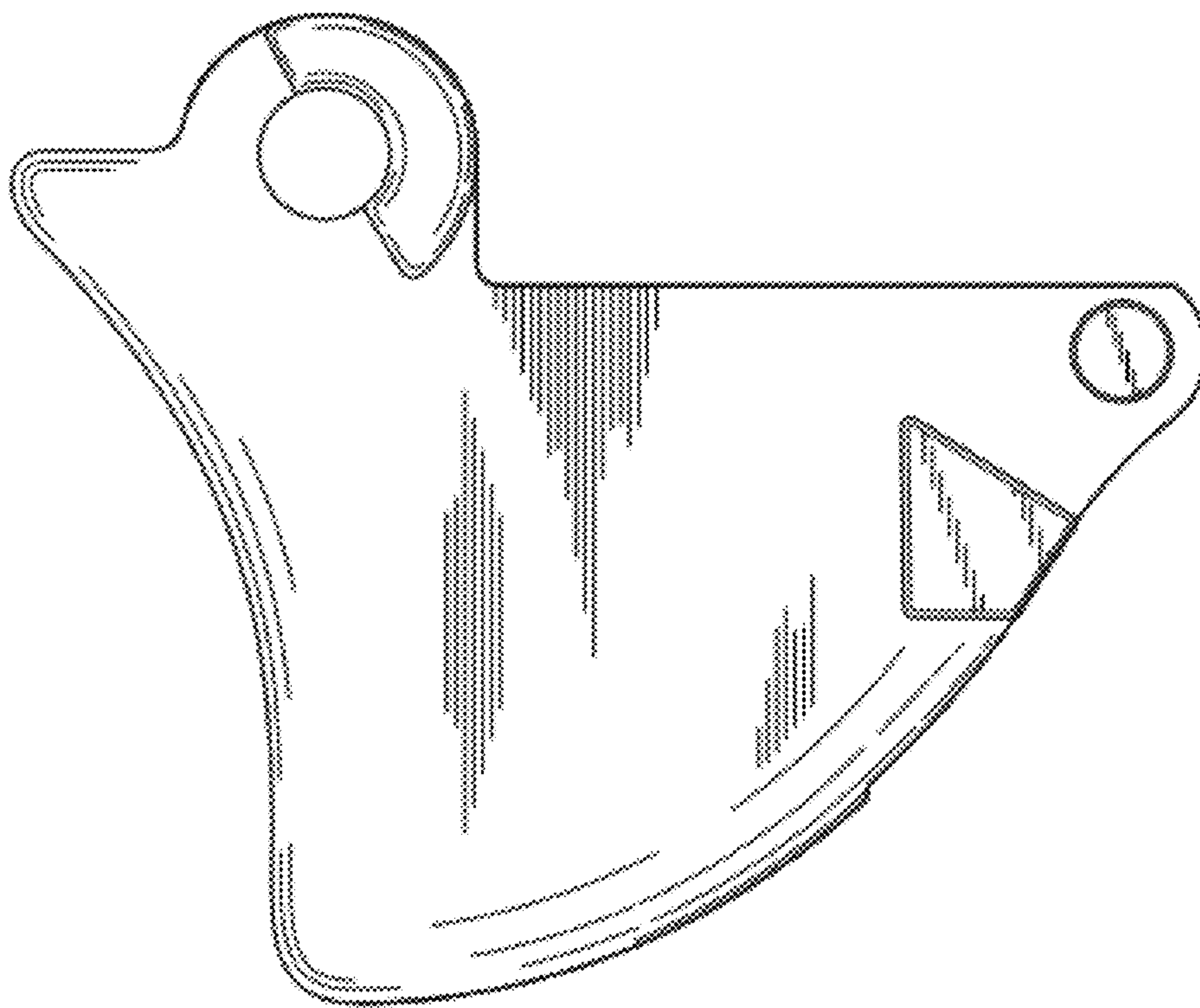


FIG. 6

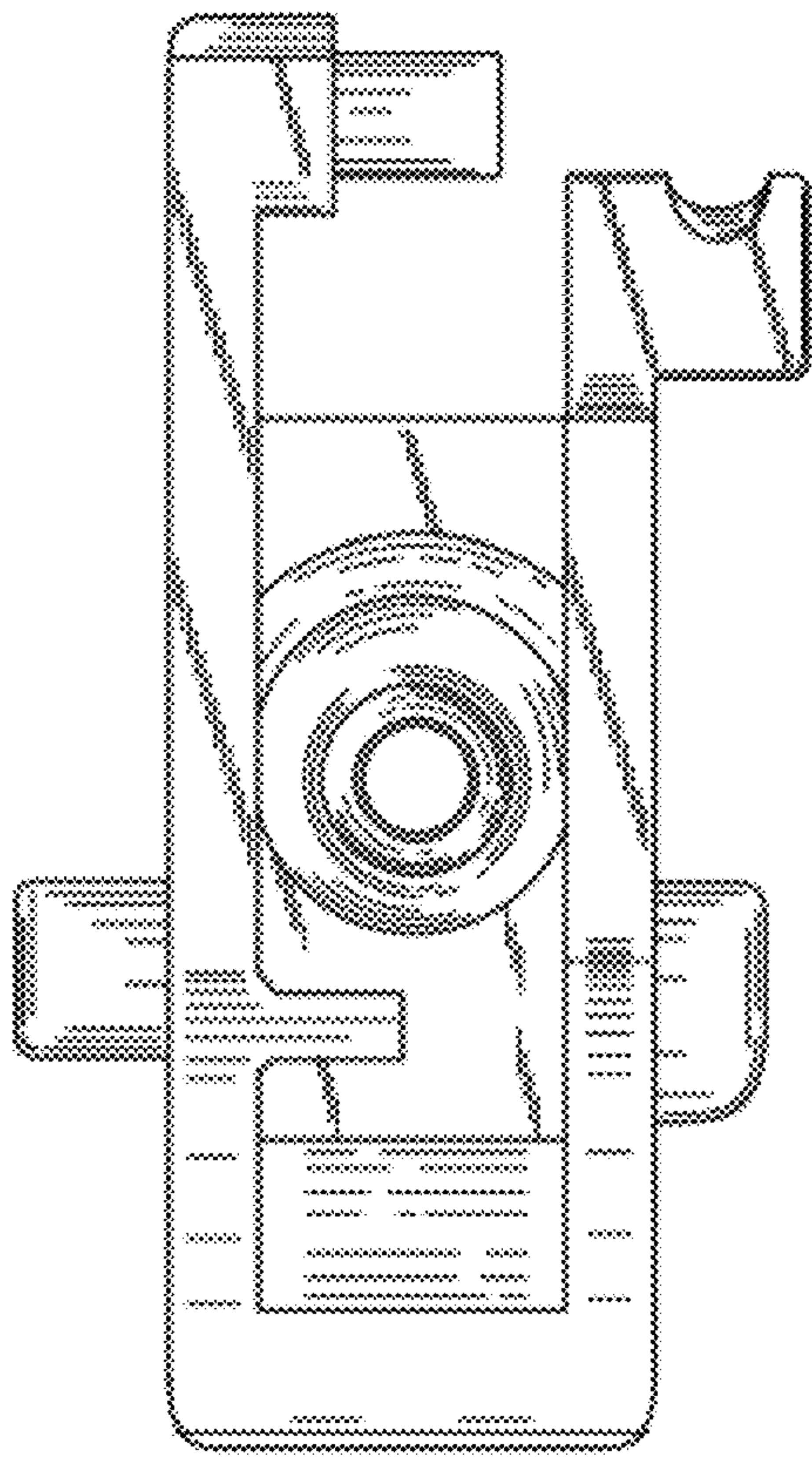


FIG. 7

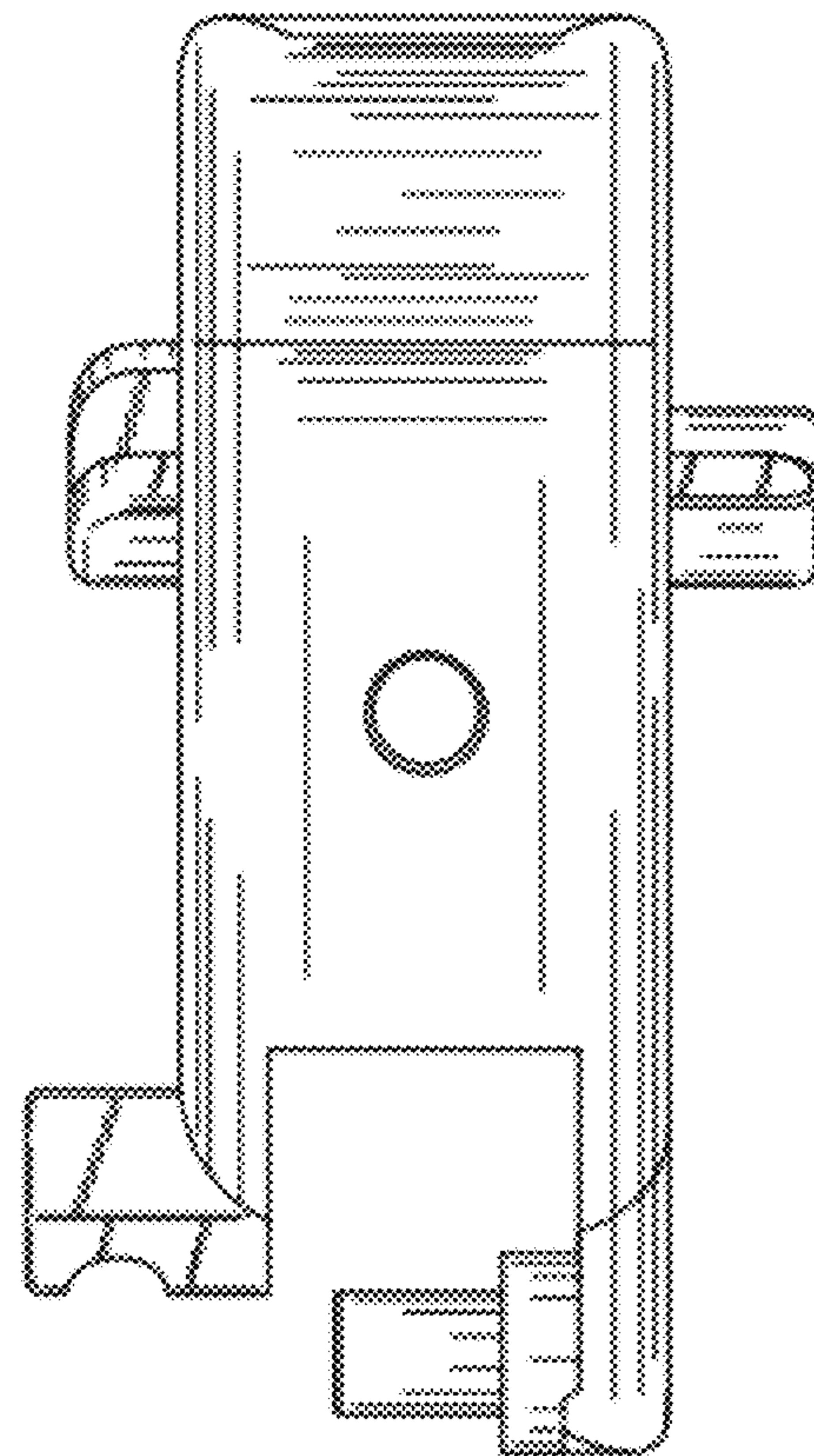


FIG. 8



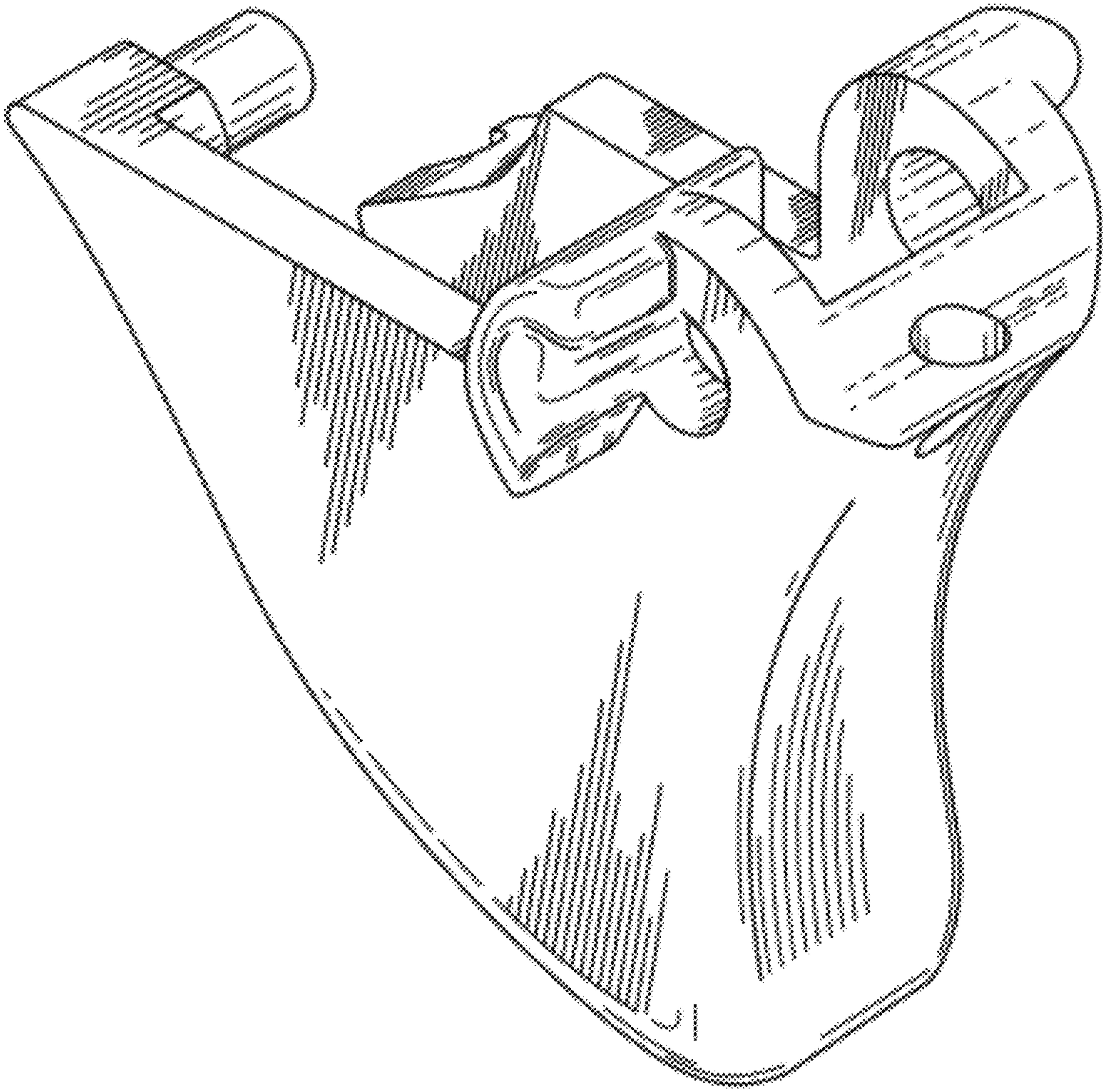


FIG. 9

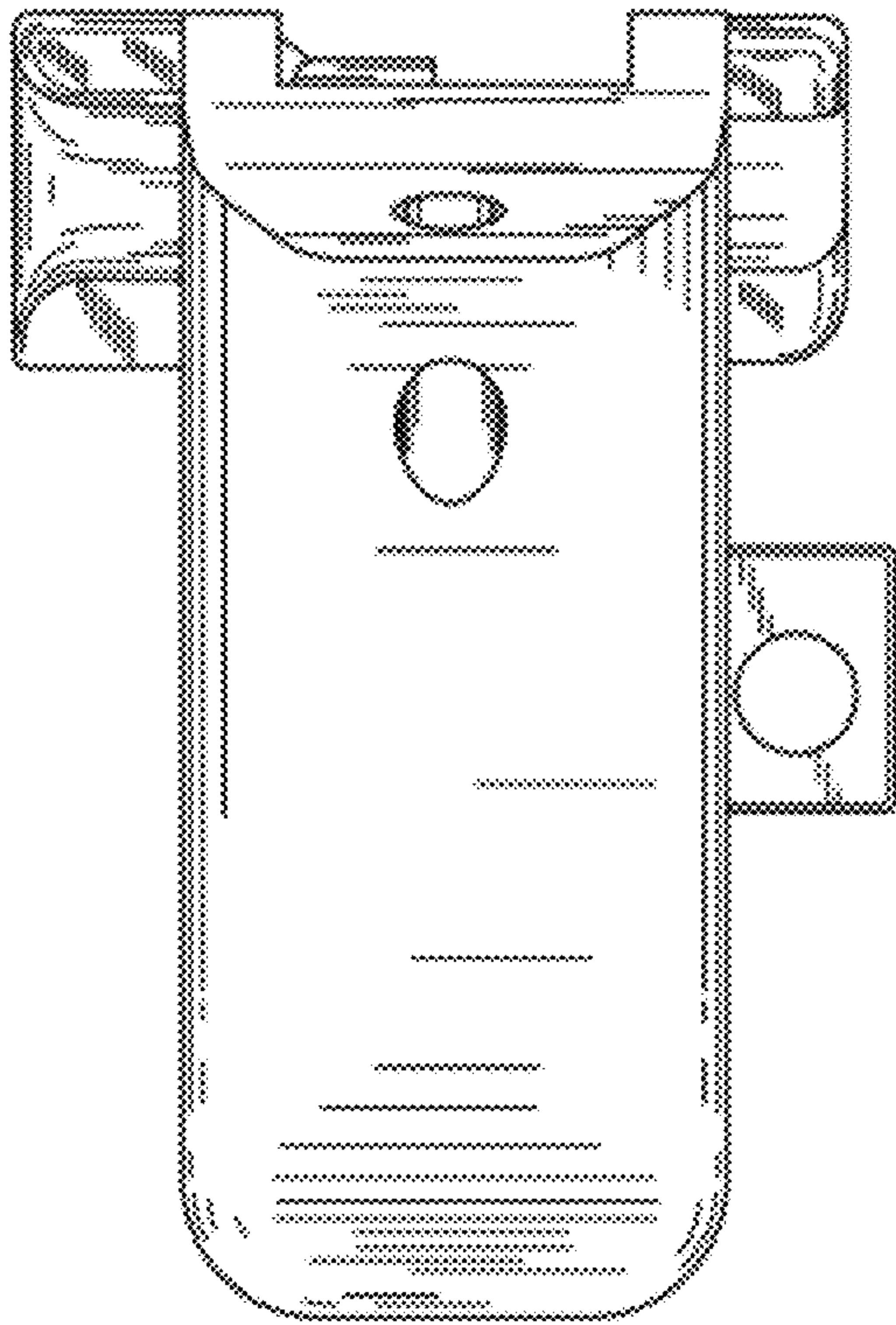


FIG. 10

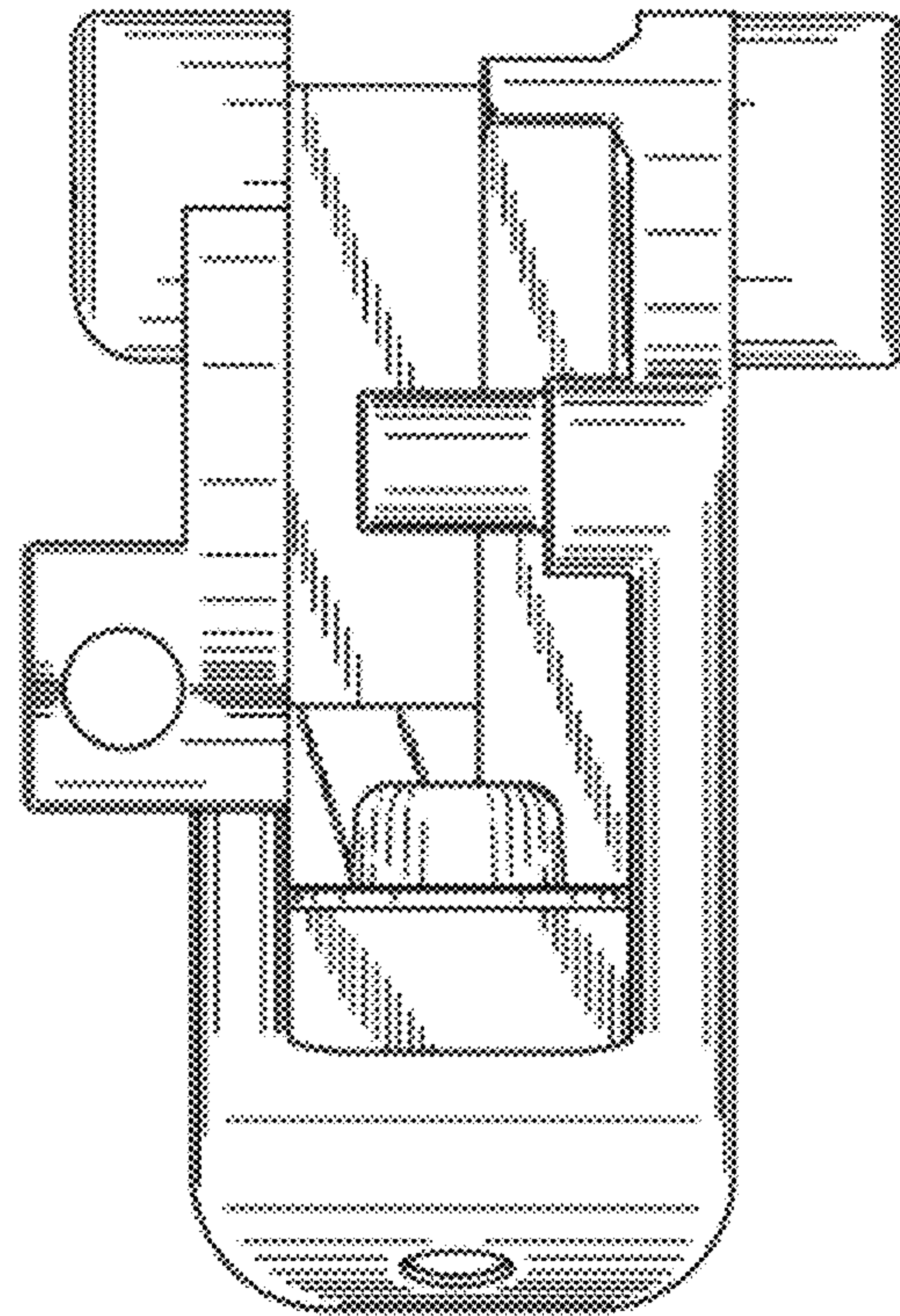


FIG. 11

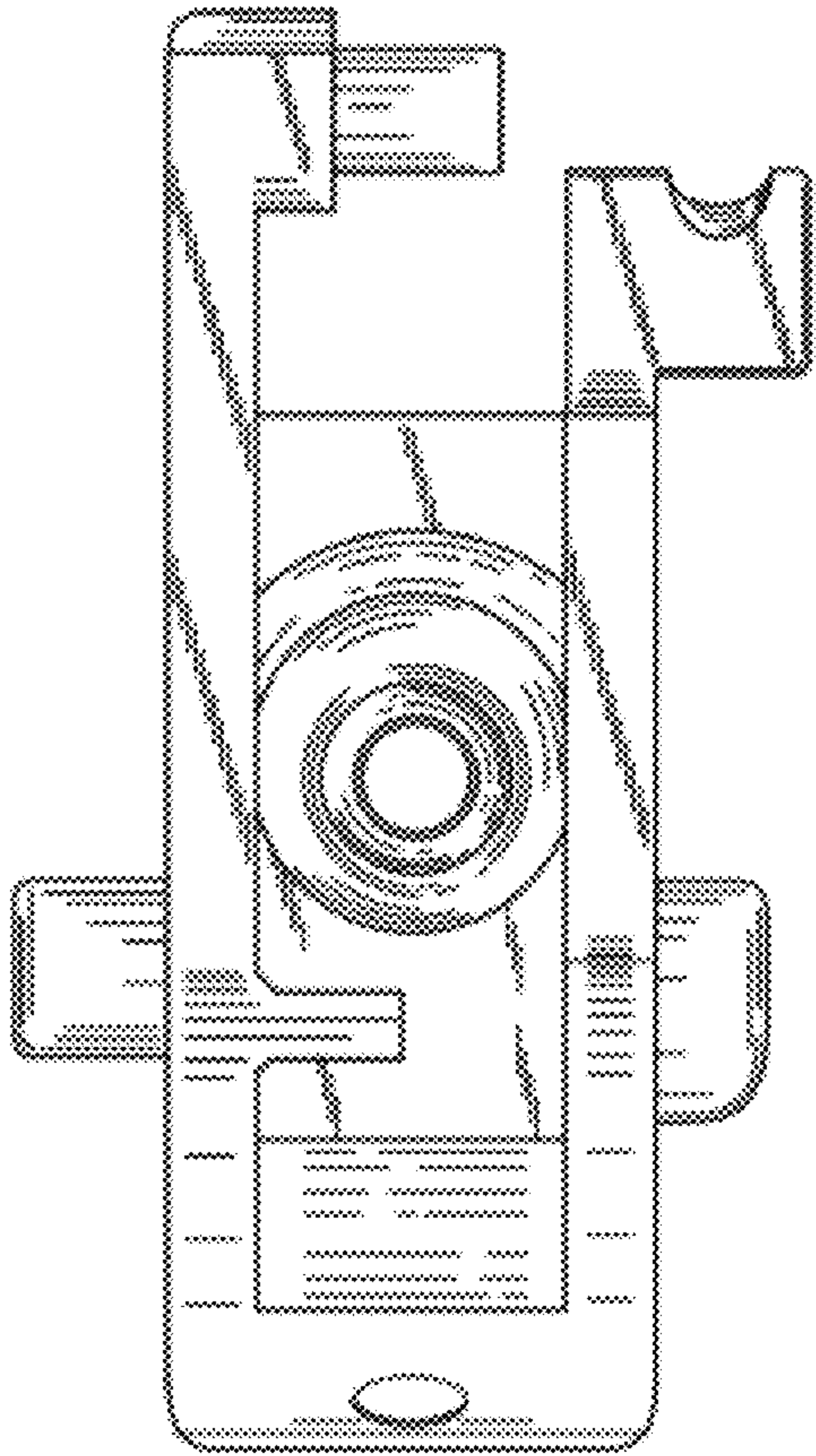


FIG. 12

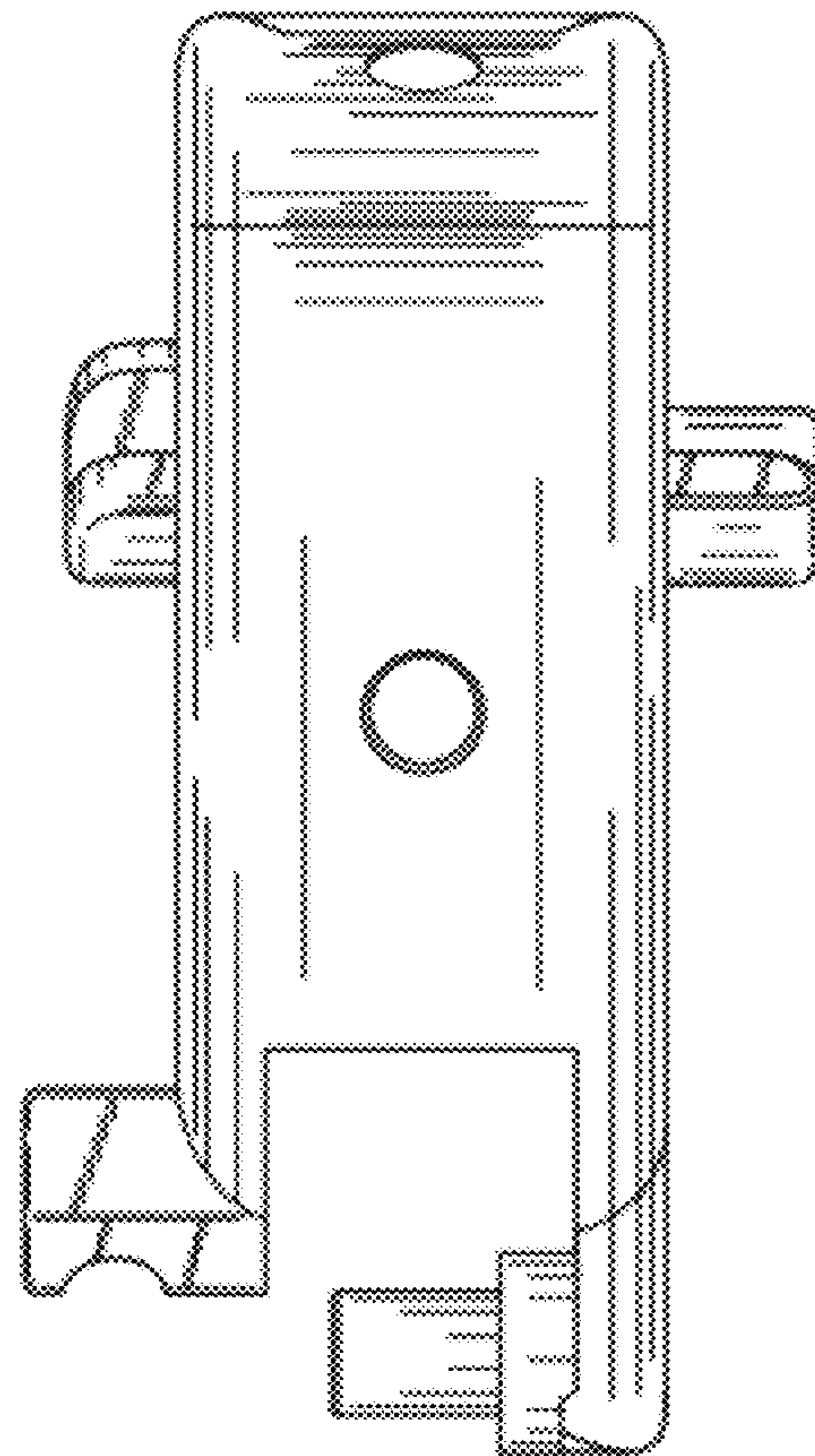


FIG. 13