

US00D666679S

(12) **United States Design Patent**
Ehara et al.

(10) **Patent No.:** **US D666,679 S**
(45) **Date of Patent:** **** Sep. 4, 2012**

(54) **PORTABLE ELECTRONIC COMPUTER**

(75) Inventors: **Yui Ehara**, Kyoto (JP); **Junichiro Miyatake**, Kyoto (JP); **Hiroki Goto**, Kyoto (JP); **Kochi Kawai**, Kyoto (JP); **Satoshi Ishibashi**, Kyoto (JP)

(73) Assignee: **Nintendo Co., Ltd.**, Kyoto (JP)

(**) Term: **14 Years**

(21) Appl. No.: **29/403,589**

(22) Filed: **Oct. 7, 2011**

Related U.S. Application Data

(62) Division of application No. 29/380,760, filed on Dec. 10, 2010, now Pat. No. Des. 650,447.

(30) **Foreign Application Priority Data**

Jun. 11, 2010 (JP) 2010-014470
Jun. 11, 2010 (JP) 2010-014473
Jun. 11, 2010 (JP) 2010-014474
Nov. 5, 2010 (JP) 2010-026562

(51) **LOC (9) Cl.** **21-01**

(52) **U.S. Cl.** **D21/330; D21/333**

(58) **Field of Classification Search** D21/324-333, D21/369, 385; 273/148 B, 148 R, 461; D14/495, D14/338, 339, 348, 356, 432, 433, 471, 474, D14/137, 160, 168, 188-181, 203.1-203.8, D14/219, 265, 257; 345/156-161, 1.1; 455/344-351; 369/6-12; 463/1, 29-35, 463/46, 47; 16/321, 337; 248/176.1, 915, 248/921; 285/188, 231-234, 304, 330

See application file for complete search history.

(56) **References Cited**

U.S. PATENT DOCUMENTS

D275,971 S 10/1984 Yokoi
4,521,021 A * 6/1985 Dixon 463/47
4,542,103 A 9/1985 Adams
4,542,903 A 9/1985 Yokoi et al.

5,168,423 A 12/1992 Ohgami et al.
D333,493 S 2/1993 Sato
D346,408 S * 4/1994 Lee D21/330
D378,686 S 4/1997 Proctor et al.
5,847,698 A * 12/1998 Reavey et al. 345/173
5,873,554 A 2/1999 Nobuchi
5,988,902 A * 11/1999 Holehan 400/479.1
6,078,495 A * 6/2000 Cipolla et al. 361/679.46
6,085,204 A * 7/2000 Chijiwa et al. 715/246
6,307,535 B1 * 10/2001 Kim et al. 345/157
6,400,351 B1 6/2002 Ishizawa et al.
6,498,721 B1 12/2002 Kim
D474,510 S 5/2003 Fayram et al.
6,587,333 B2 7/2003 Tseng et al.
D484,918 S 1/2004 Okada et al.
D494,190 S 8/2004 Hong et al.
6,771,494 B2 8/2004 Shimano
6,850,407 B2 2/2005 Tanimoto et al.
6,876,545 B2 * 4/2005 Tseng et al. 361/679.06
6,958,902 B2 10/2005 Tseng et al.
D524,870 S 7/2006 Sugino et al.

(Continued)

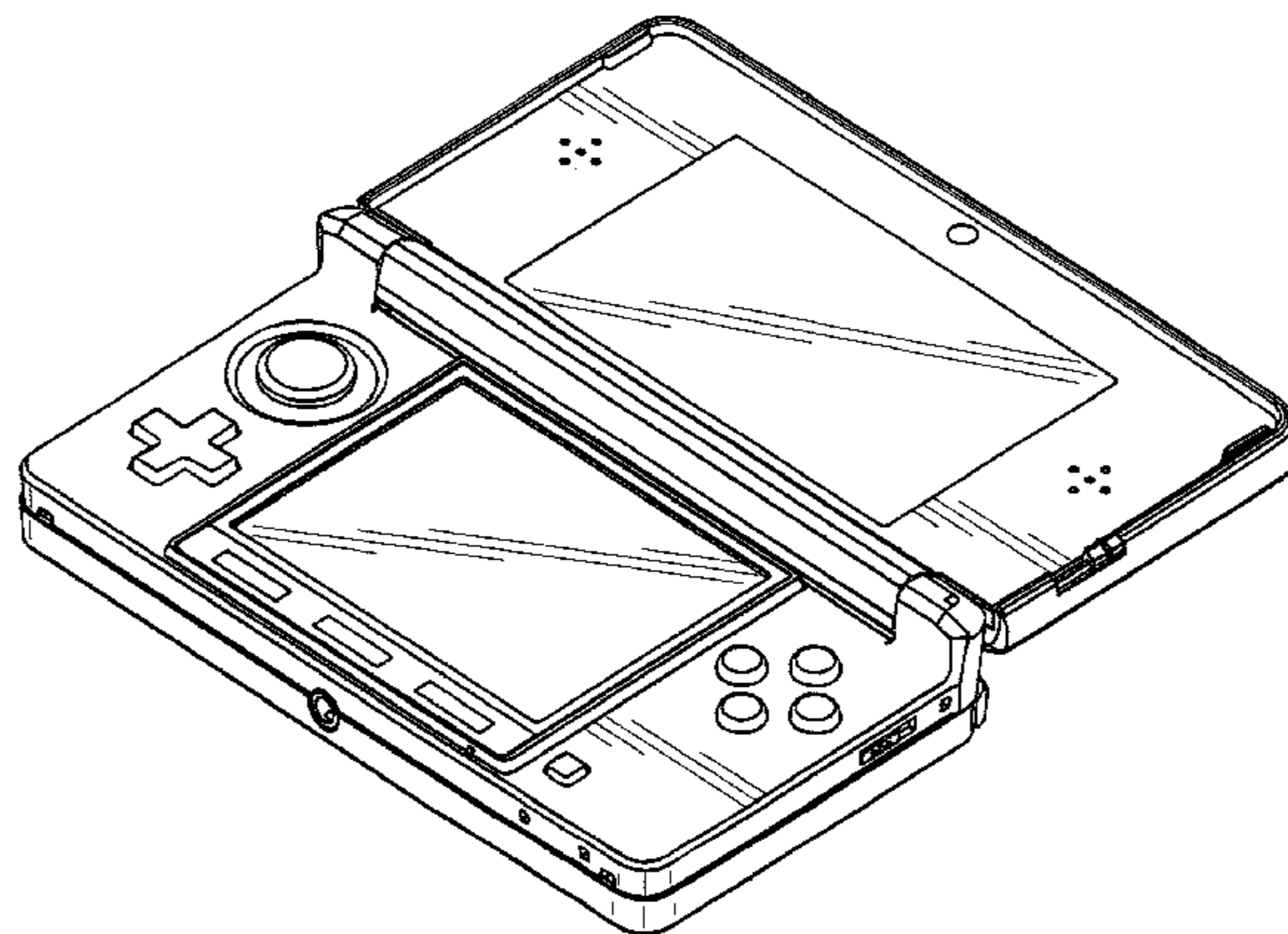
Primary Examiner — Prabhakar Deshmukh
(74) *Attorney, Agent, or Firm* — Nixon & Vanderhye, P.C.

(57) **CLAIM**
The ornamental design for a portable electronic computer, as shown and described.

DESCRIPTION

FIG. 1 is front, bottom and right perspective view of a portable electronic computer showing an embodiment of our new design, a lid with display being opened;
FIG. 2 is rear, top and left perspective view thereof;
FIG. 3 is a front view thereof;
FIG. 4 is a rear view thereof;
FIG. 5 is a top plan view thereof;
FIG. 6 is a bottom plan view thereof;
FIG. 7 is a left side view thereof;
FIG. 8 is a right side view thereof;
FIG. 9 is a front, bottom and right perspective view of thereof, the lid with display being closed;
FIG. 10 is a front view thereof;
FIG. 11 is a rear plan view thereof;
FIG. 12 is a top plan view thereof;
FIG. 13 is a bottom plan view thereof;
FIG. 14 is a left side view thereof; and,
FIG. 15 is a right side view thereof.

1 Claim, 9 Drawing Sheets



US D666,679 S

Page 2

U.S. PATENT DOCUMENTS

D532,051 S 11/2006 Sugino et al.
D536,382 S 2/2007 Sugino et al.
D554,194 S 10/2007 Ehara et al.
D555,667 S 11/2007 Hussaini et al.
D607,946 S 1/2010 Ehara et al.

D641,049 S 7/2011 Ehara et al.
D645,521 S * 9/2011 Ehara et al. D21/333
D645,909 S * 9/2011 Fujita D21/330
D650,447 S * 12/2011 Ehara et al. D21/330

* cited by examiner

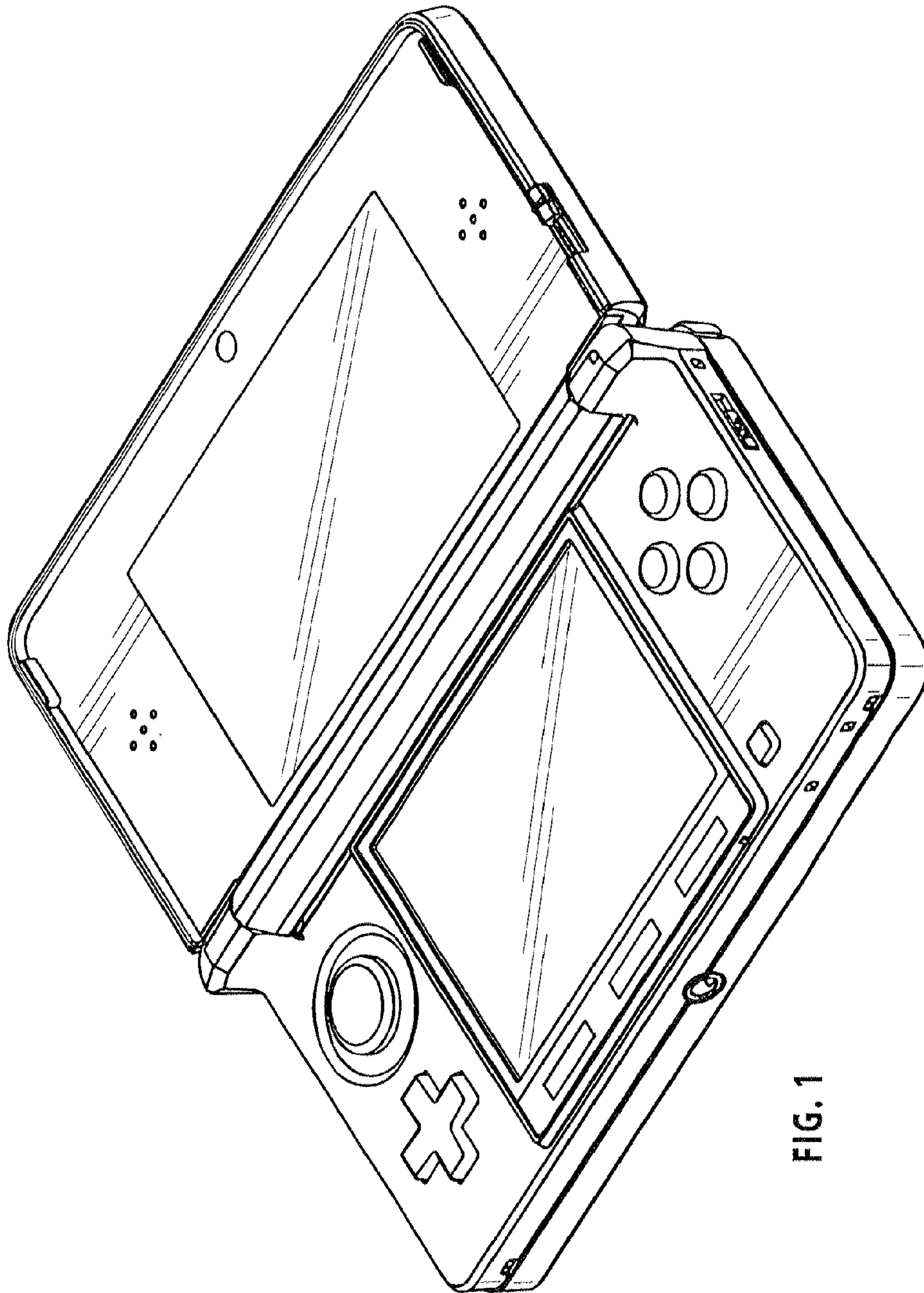


FIG. 1

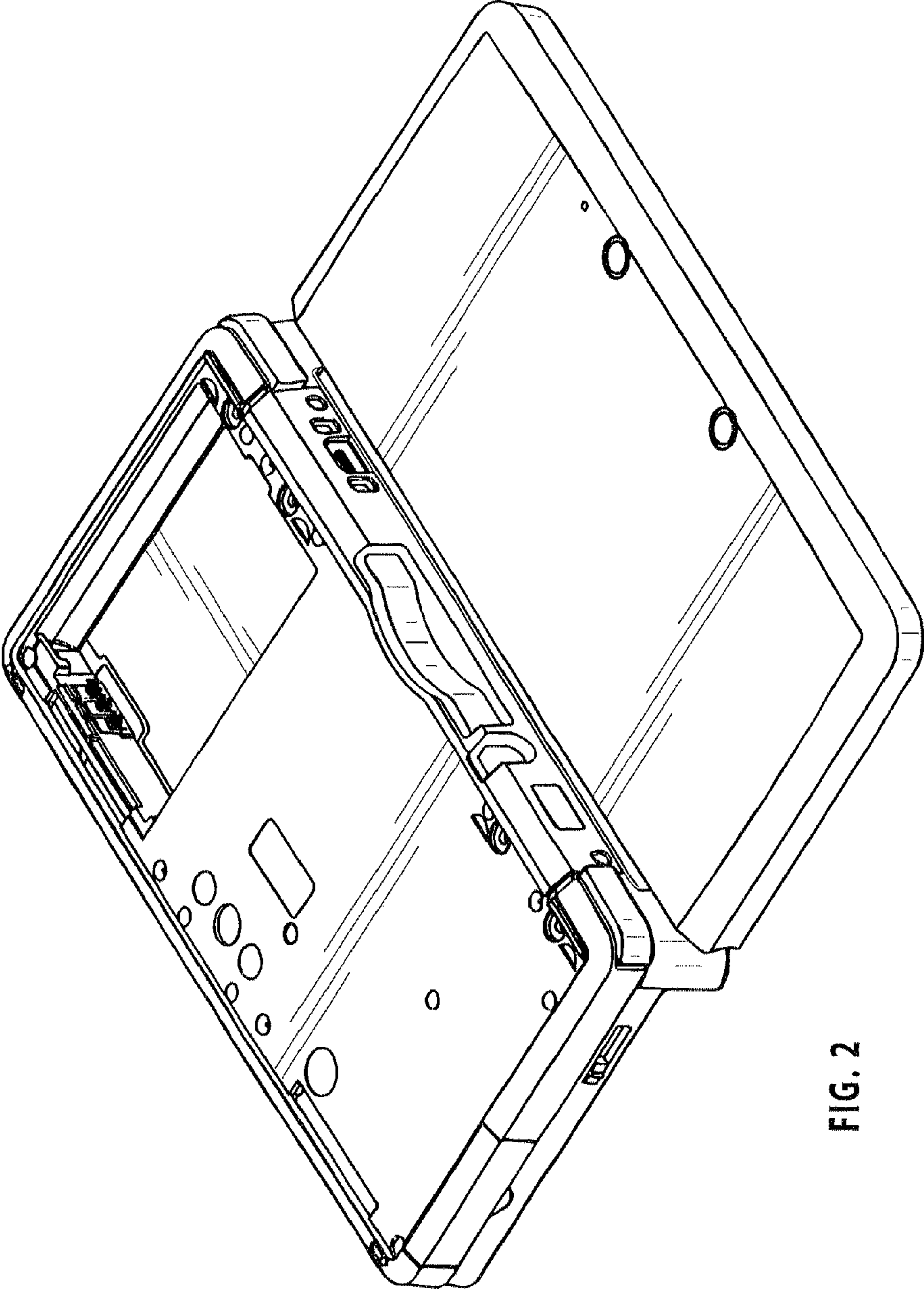


FIG. 2

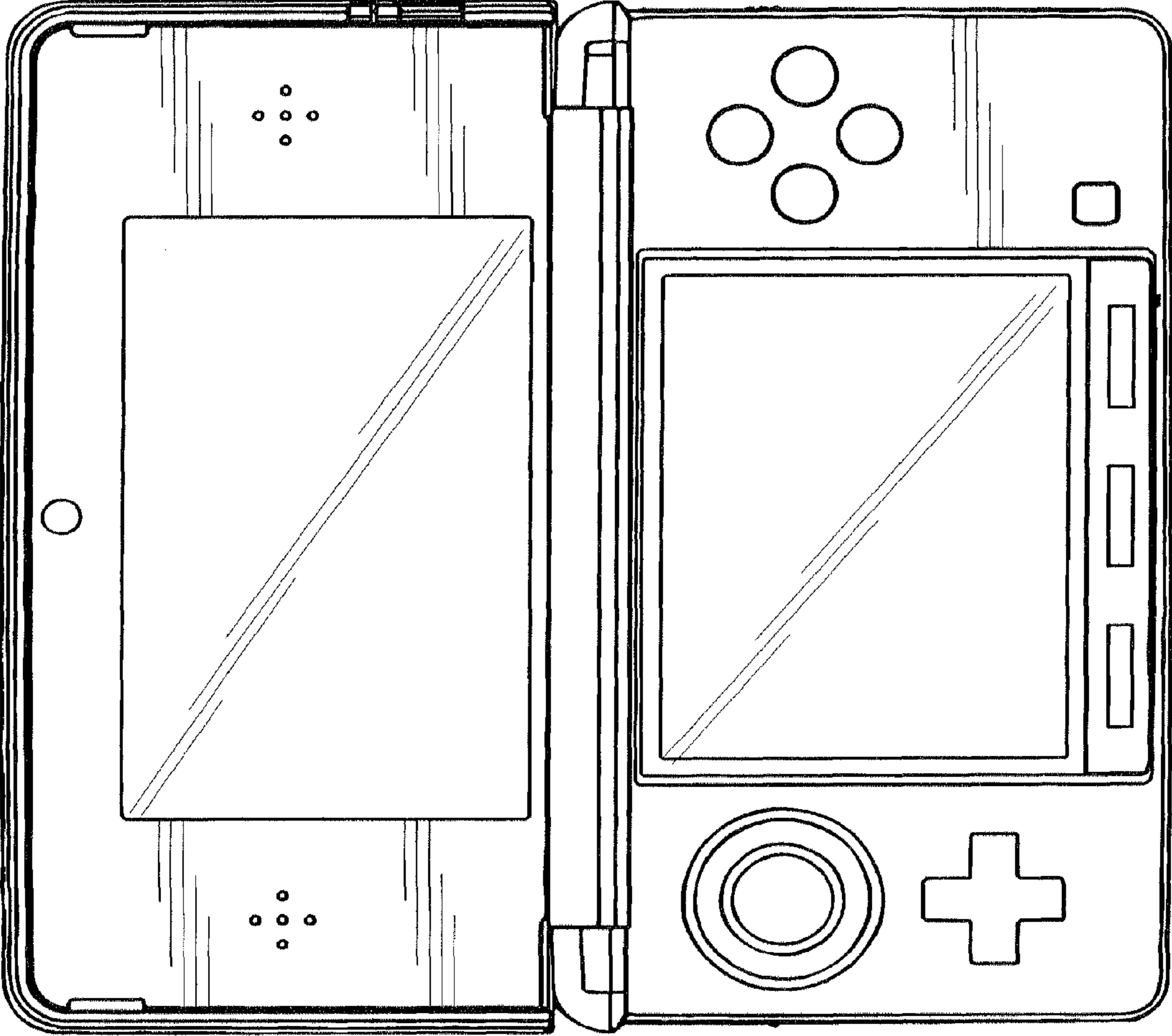


FIG. 3

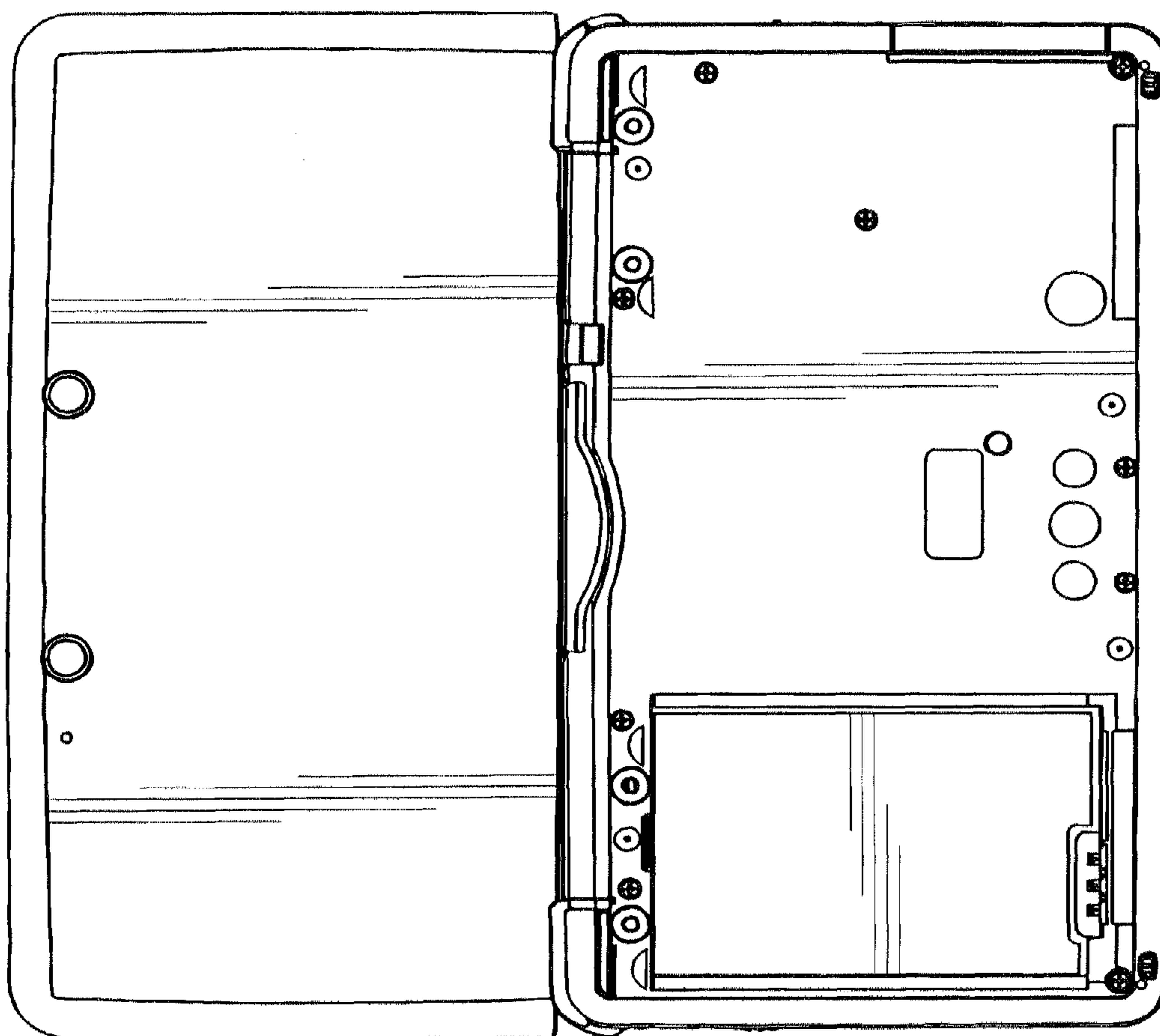


FIG. 4

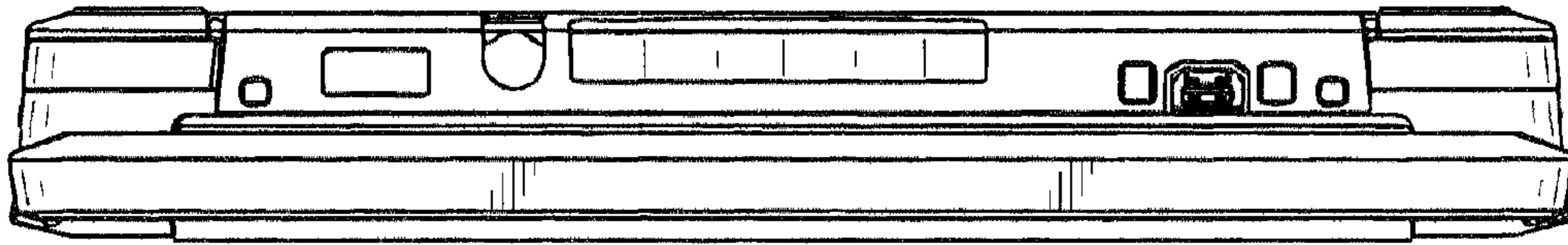


FIG. 5

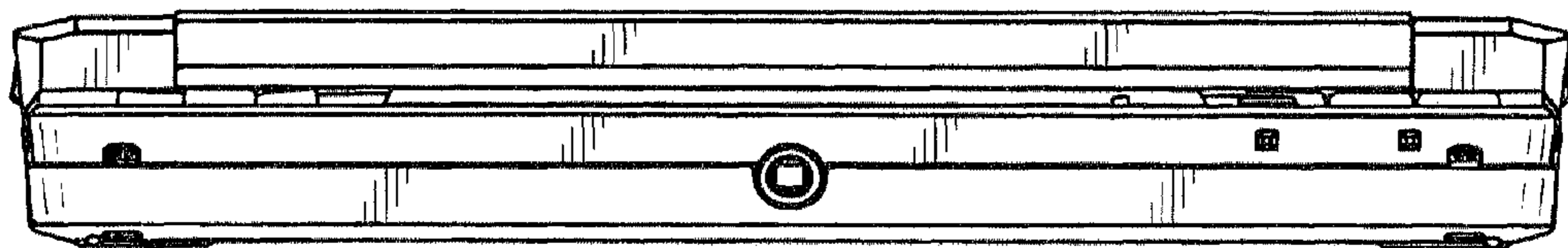


FIG. 6

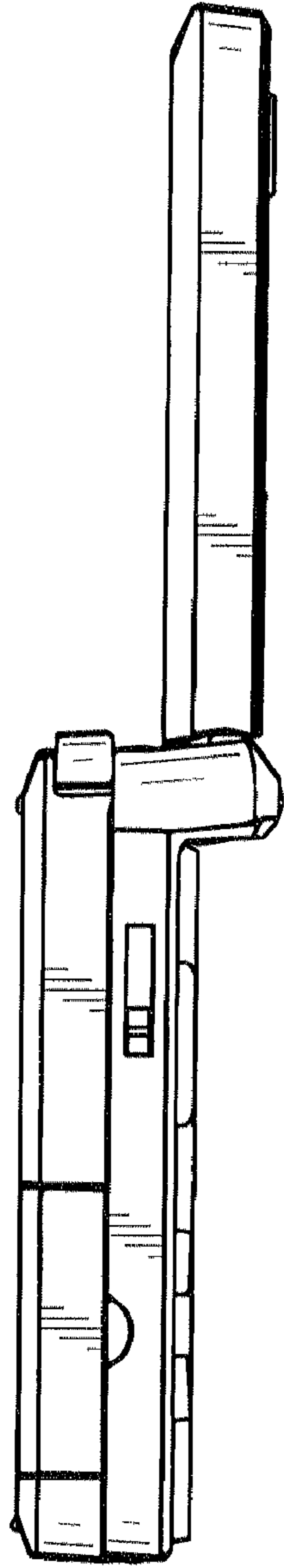


FIG. 7

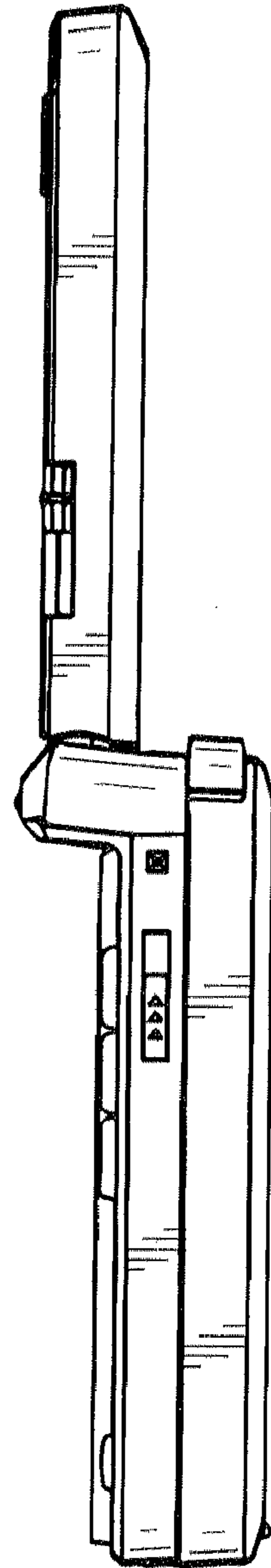


FIG. 8

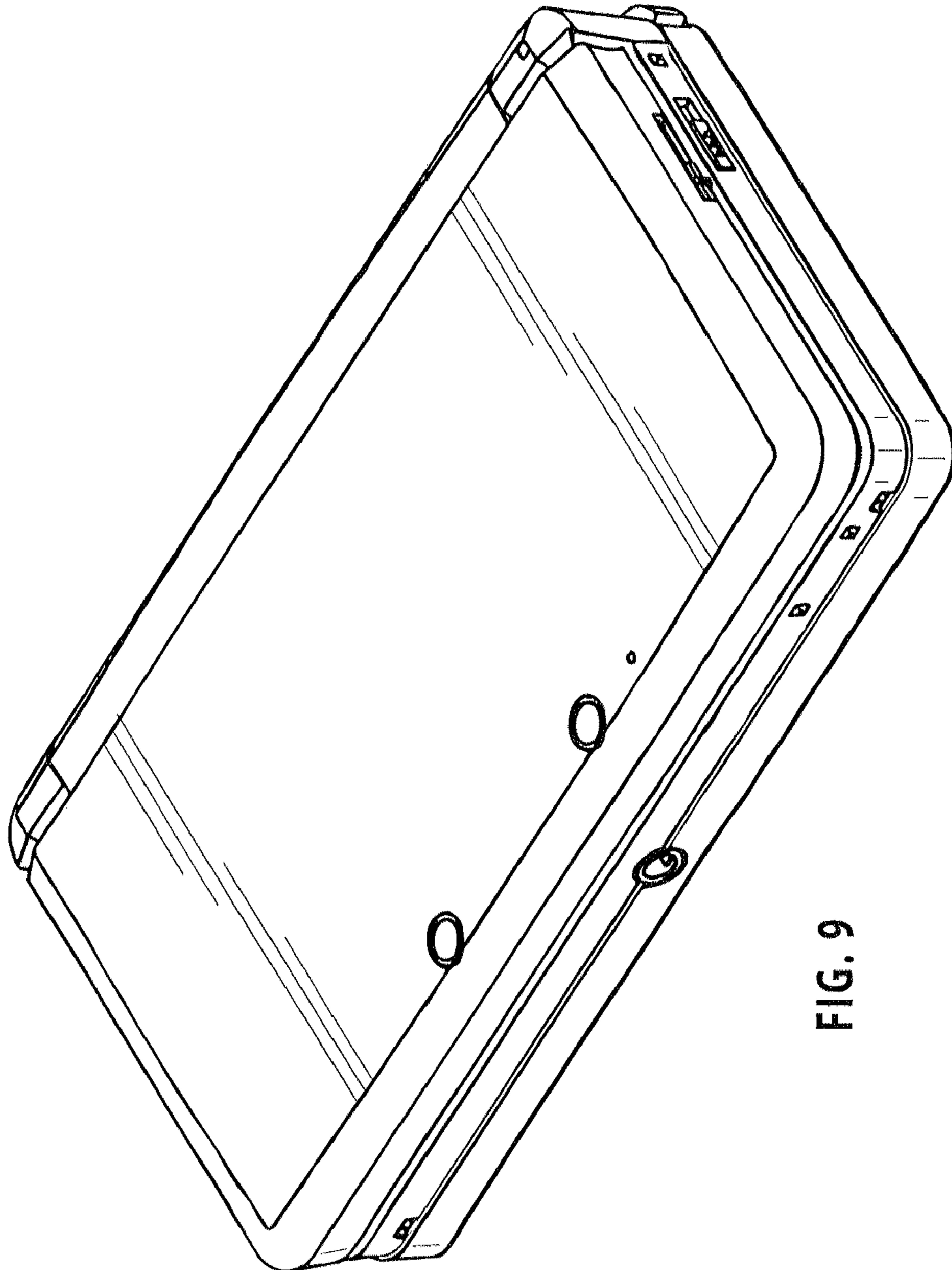


FIG. 9

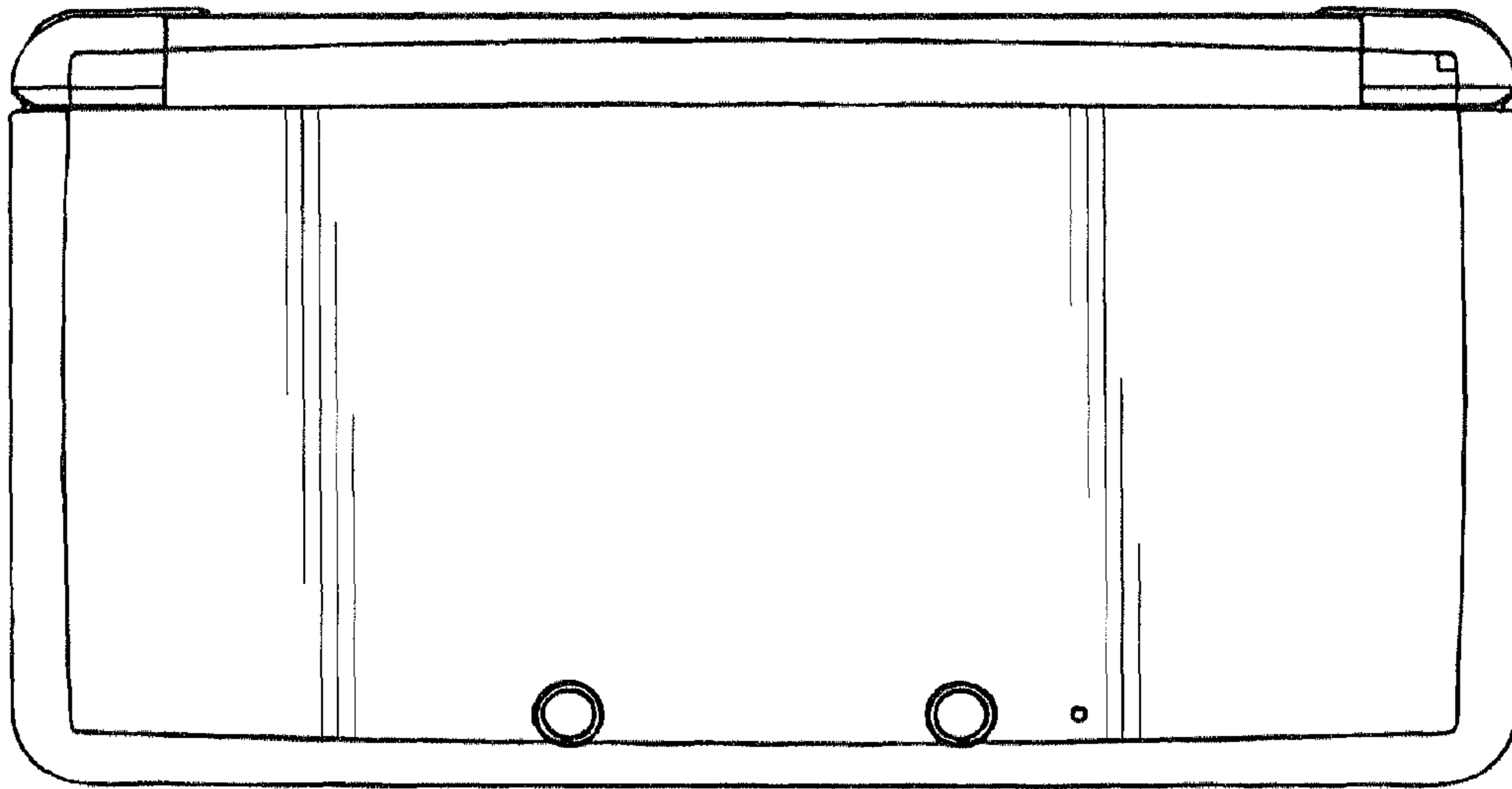


FIG. 10

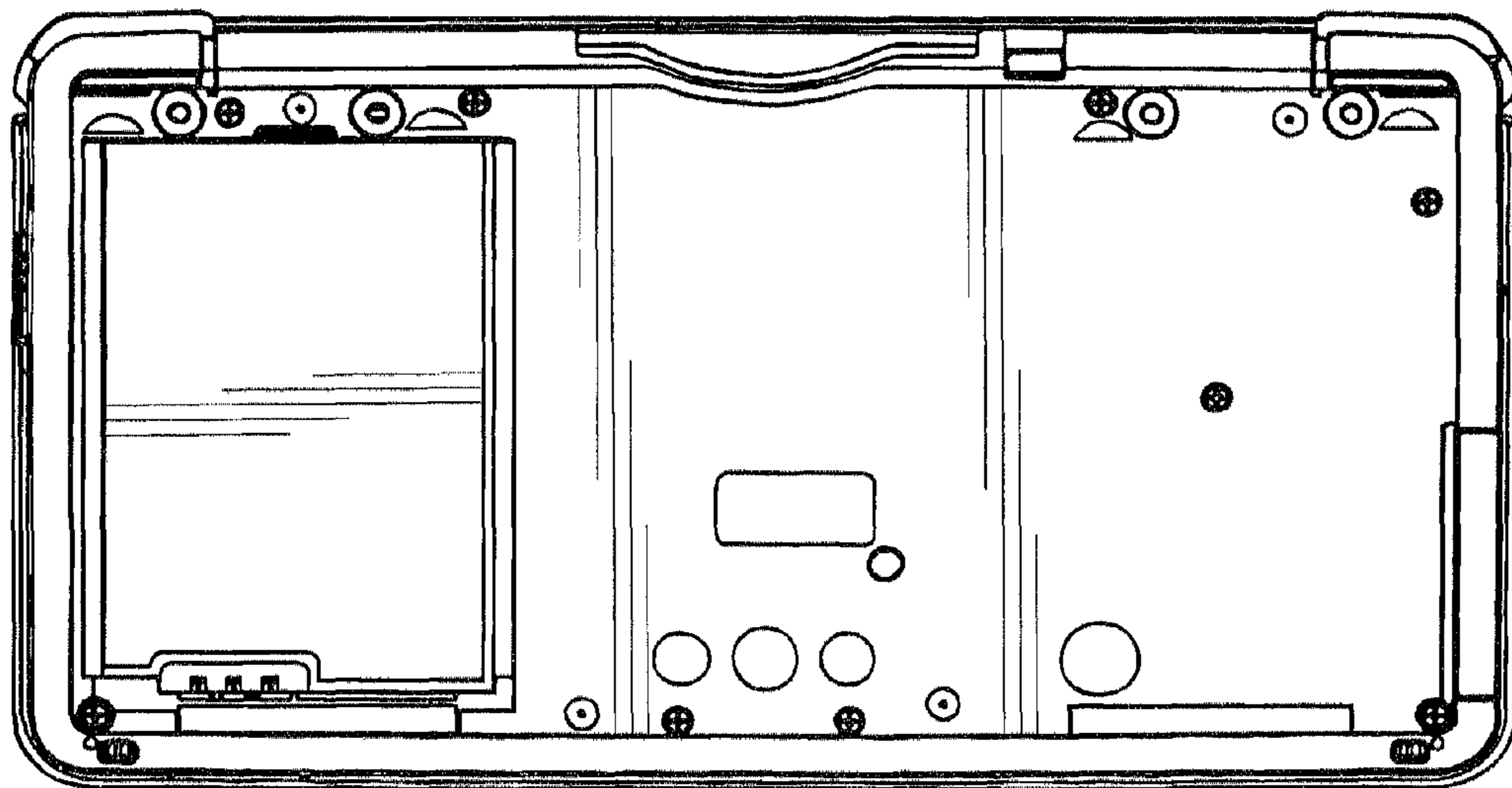


FIG. 11

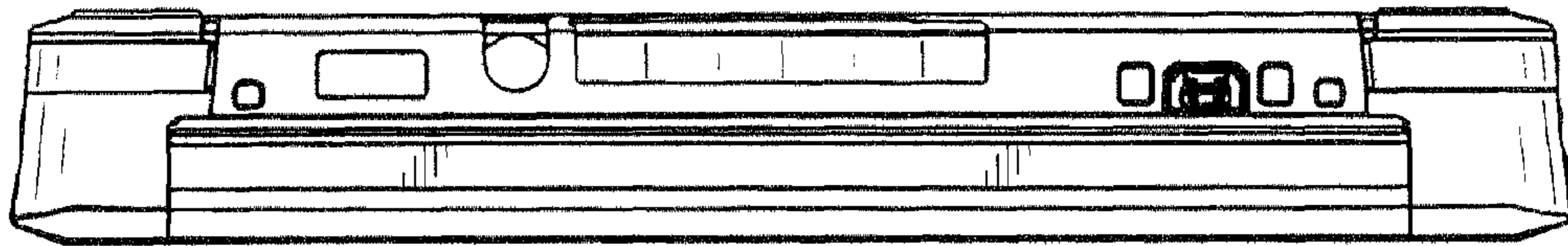


FIG. 12

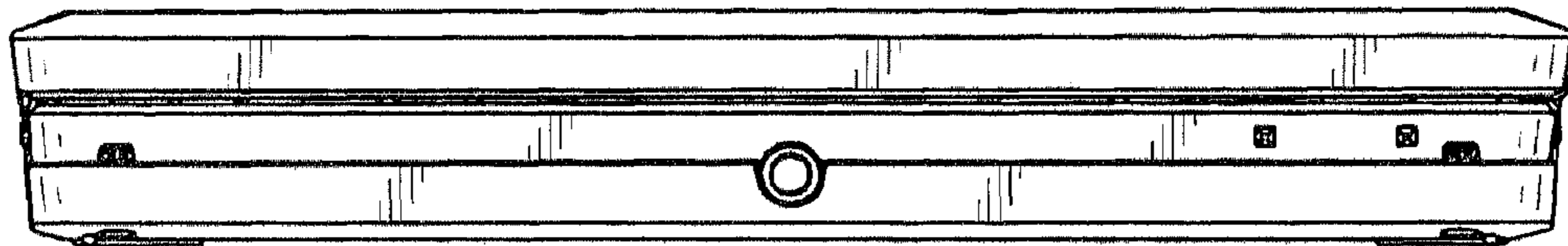


FIG. 13

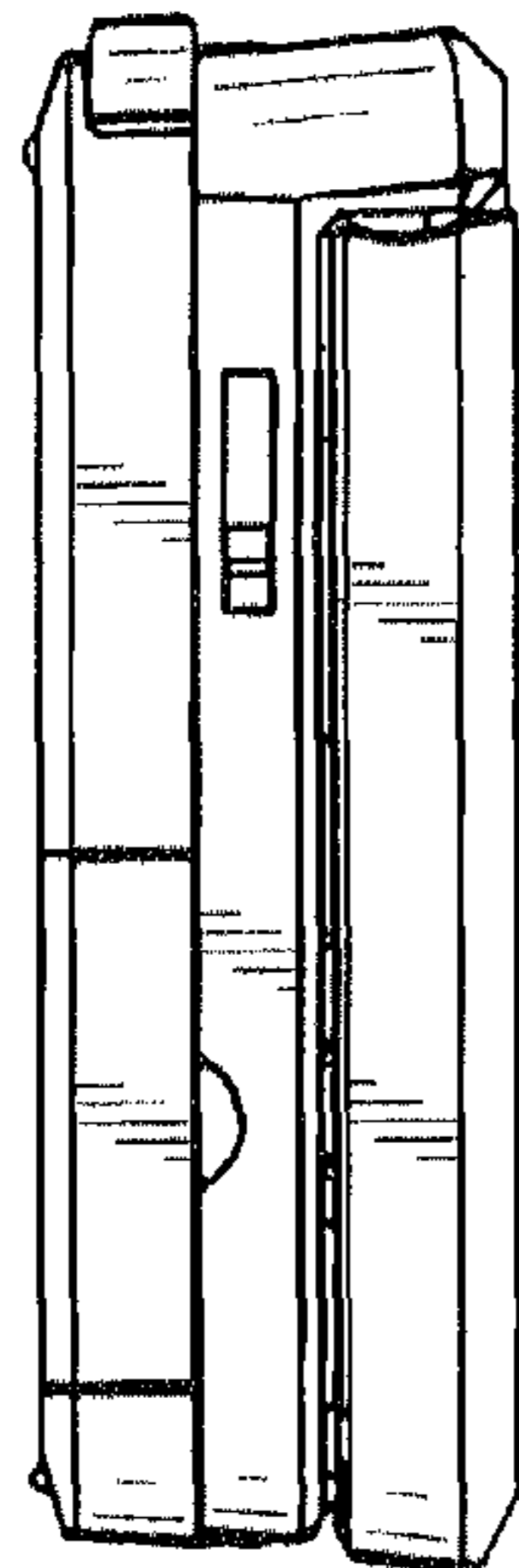


FIG. 14

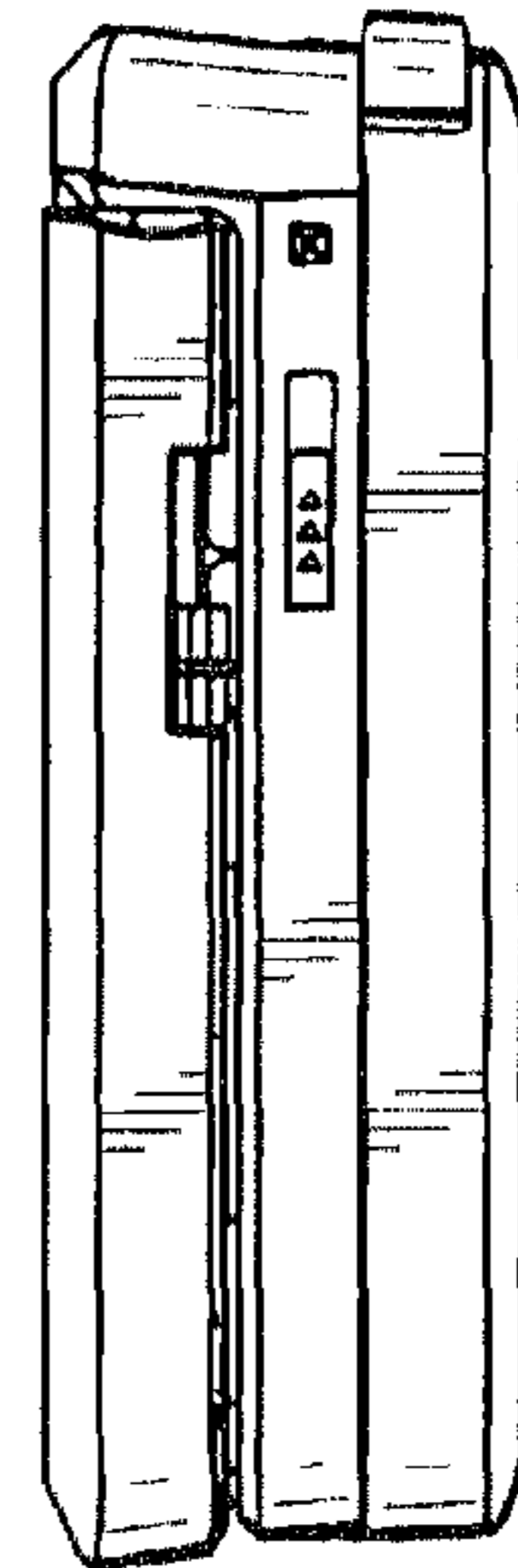


FIG. 15