



US00D666678S

(12) **United States Design Patent**
Bengyak

(10) **Patent No.:** **US D666,678 S**

(45) **Date of Patent:** **** Sep. 4, 2012**

(54) **HAND SIGN**

(76) **Inventor:** **Christopher Edward Bengyak**, Vero Beach, FL (US)

(**) **Term:** **14 Years**

(21) **Appl. No.:** **29/395,121**

(22) **Filed:** **Nov. 29, 2011**

(51) **LOC (9) Cl.** **20-03**

(52) **U.S. Cl.** **D20/29; D20/33**

(58) **Field of Classification Search** D20/10,
D20/12, 19, 29-33, 40, 99; 40/446, 538,
40/541, 584, 586; D2/615; D21/400; D22/104
See application file for complete search history.

(56) **References Cited**

U.S. PATENT DOCUMENTS

D91,214 S *	12/1933	Provost	D20/29
2,353,359 A *	7/1944	Rasmussen	40/538
D161,882 S *	2/1951	Spreando	D2/615
D164,567 S *	9/1951	Gosselin	D20/32
D255,917 S *	7/1980	Merrill	D22/104
D301,911 S *	6/1989	Ruger et al.	D22/104
D360,653 S *	7/1995	McKee	D20/33
D429,285 S *	8/2000	Schini	D20/32
D617,530 S *	6/2010	Bengyak	D2/615
D633,152 S *	2/2011	Scott	D20/33
D641,424 S *	7/2011	Bengyak	D20/29
D647,571 S *	10/2011	Bengyak	D20/33
D649,598 S *	11/2011	Bengyak	D20/33
D651,652 S *	1/2012	Bengyak	D20/29

OTHER PUBLICATIONS

18" Pistol Waver—WellPromo.com Copyright 2008 (C) East Bright Phearl Co Ltd <http://www.wellpromo.com/Wholesale/Foam/18--Pistol-Waver-179563.htm> pulled from the web Feb. 22, 2011.*

* cited by examiner

Primary Examiner — Mary Ann Calabrese

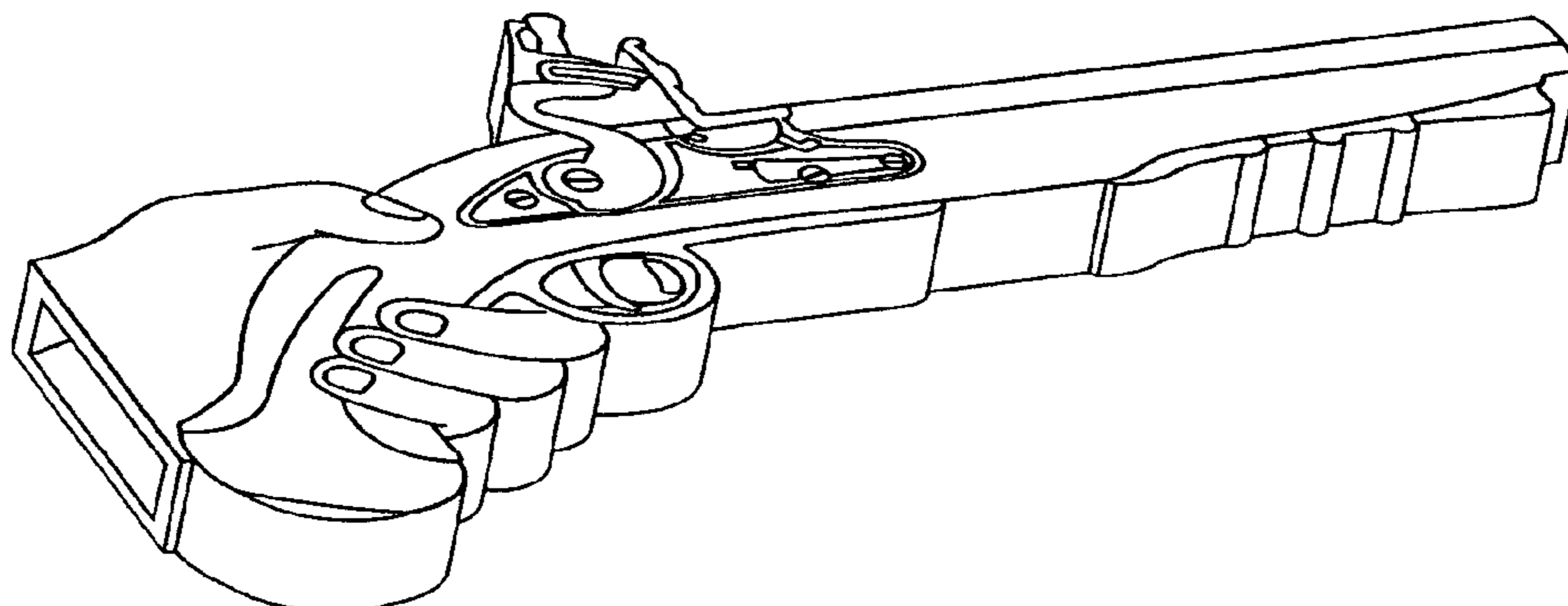
(57) **CLAIM**

The ornamental design for a hand sign, as shown and described.

DESCRIPTION

FIG. 1 is a right-side elevational view of a first embodiment of a left-hand hand sign according to the invention;
 FIG. 2 is a left-side elevational view of the left-hand hand sign of FIG. 1;
 FIG. 3 is a reduced scale rear elevational view of the left-hand hand sign of FIG. 1;
 FIG. 4 is a reduced scale top plan view of the left-hand hand sign of FIG. 1;
 FIG. 5 is a reduced scale bottom plan view of the left-hand hand sign of FIG. 1;
 FIG. 6 is a reduced scale front elevational view of the left-hand hand sign of FIG. 1;
 FIG. 7 is a perspective view from below the rear of the right side of the left-hand hand sign of FIG. 1;
 FIG. 8 is a perspective view from above the front of the right side of the left-hand hand sign of FIG. 1;
 FIG. 9 is a left-side elevational view of a second embodiment of a right-hand hand sign according to the invention;
 FIG. 10 is a right-side elevational view of the right-hand hand sign of FIG. 9;
 FIG. 11 is a reduced scale front elevational view of the right-hand hand sign of FIG. 9;
 FIG. 12 is a reduced scale top plan view of the right-hand hand sign of FIG. 9;
 FIG. 13 is a reduced scale bottom plan view of the right-hand hand sign of FIG. 9;
 FIG. 14 is a reduced scale rear elevational view of the right-hand hand sign of FIG. 9;
 FIG. 15 is a perspective view from below the rear of the left side of the right-hand hand sign of FIG. 9; and,
 FIG. 16 is a perspective view from above the front of the left side of the right-hand hand sign of FIG. 9.

1 Claim, 6 Drawing Sheets



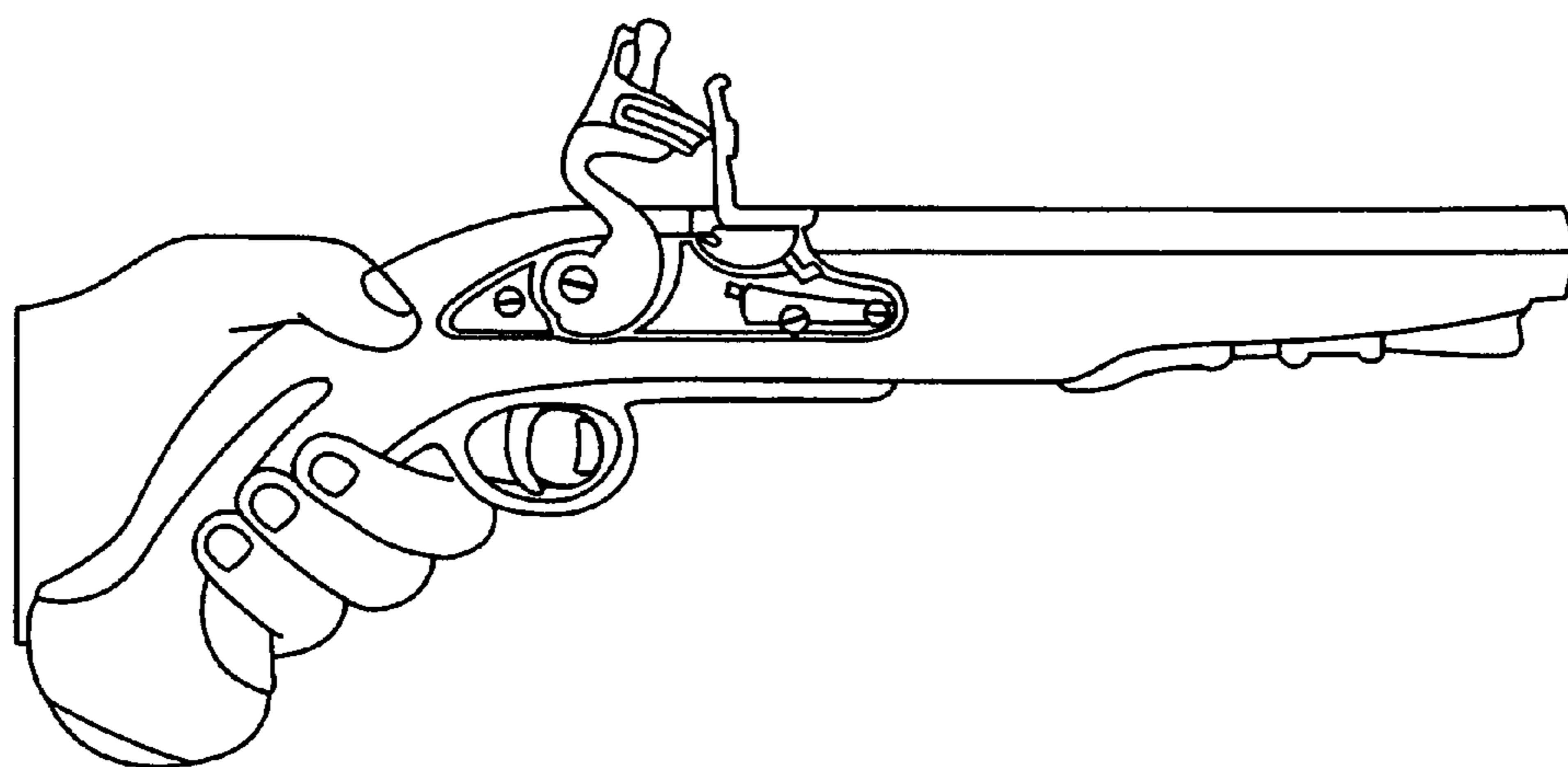


FIG. 1

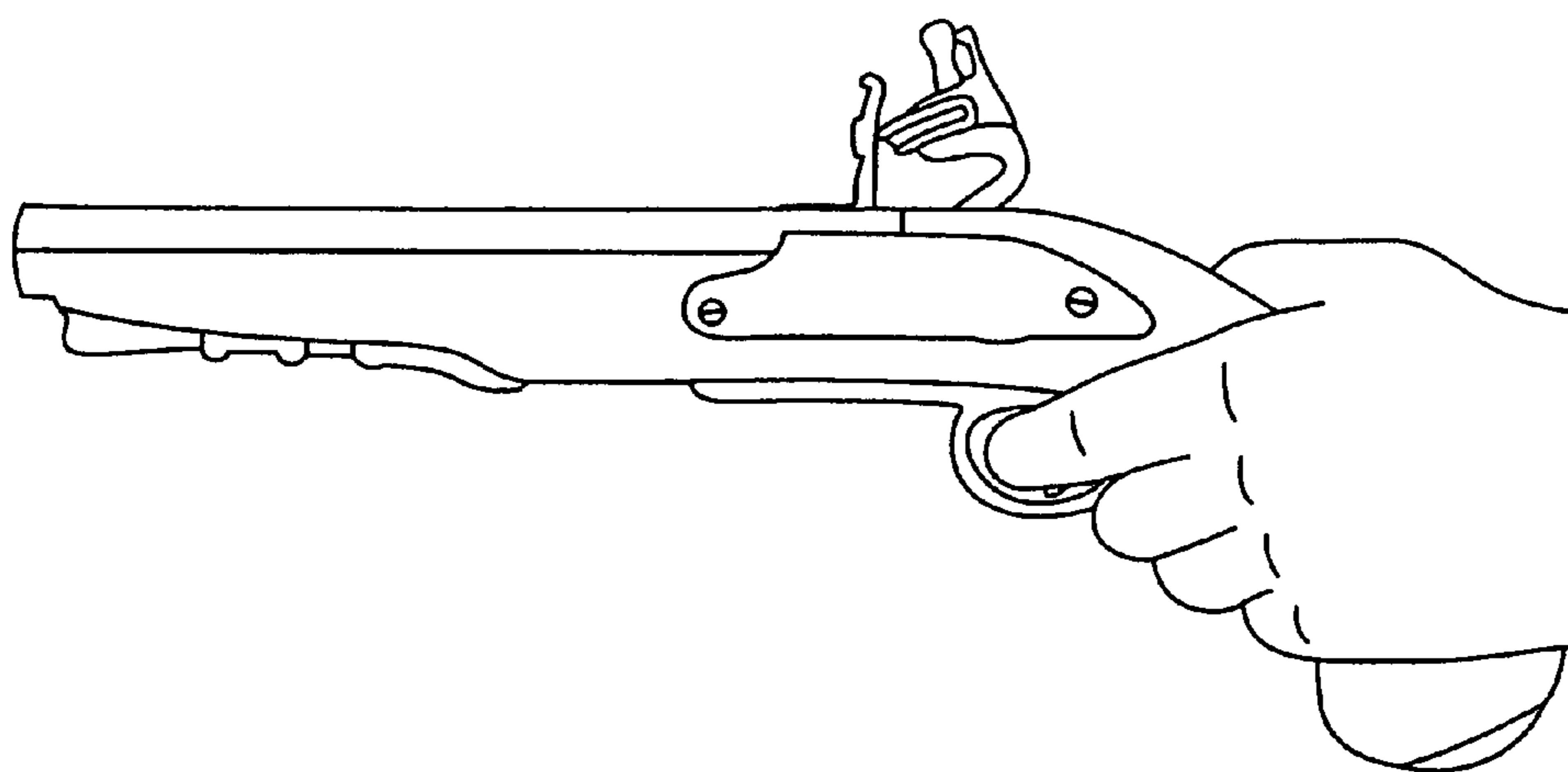


FIG. 2



FIG. 4

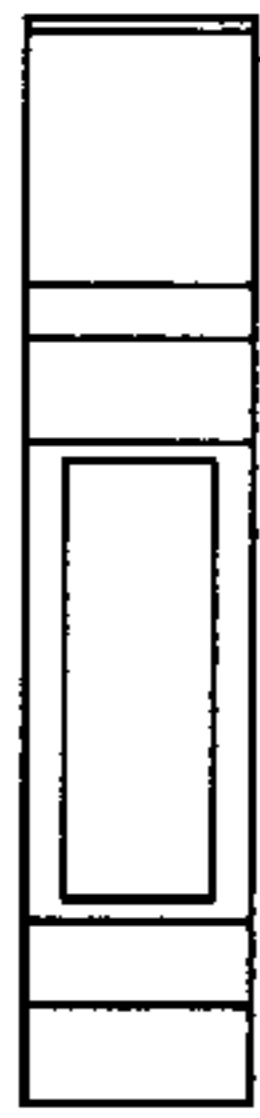


FIG. 3



FIG. 6

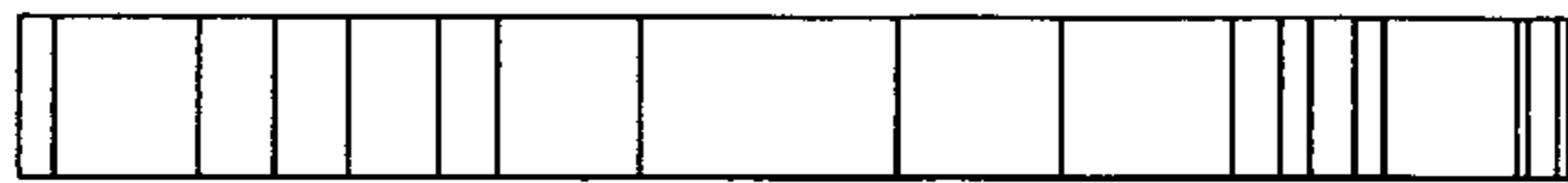


FIG. 5

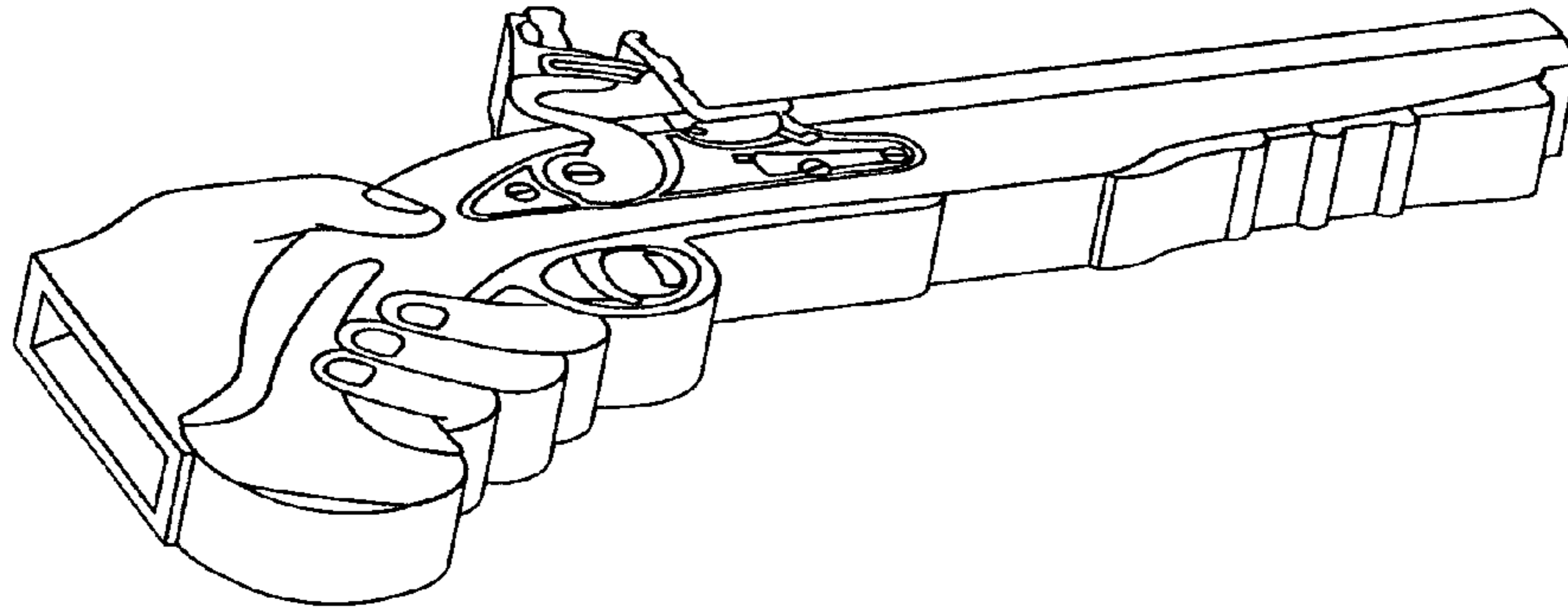


FIG. 7

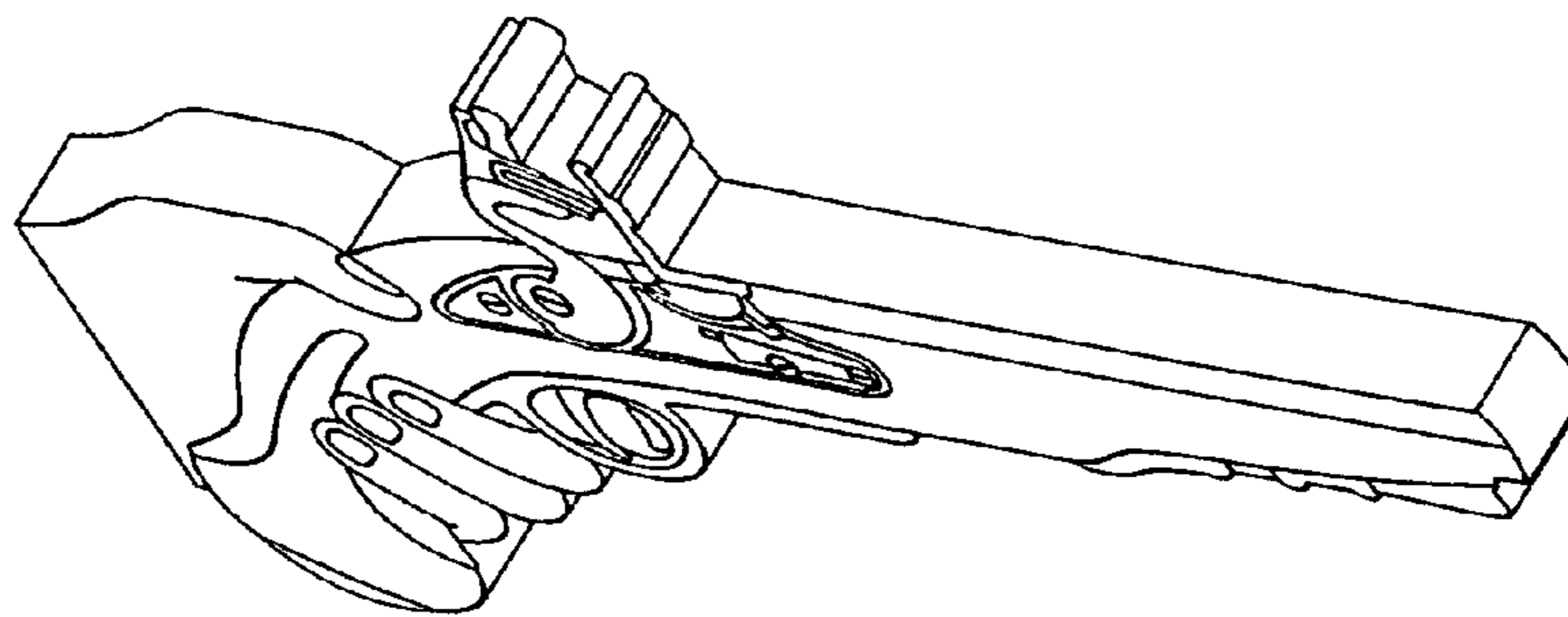


FIG. 8

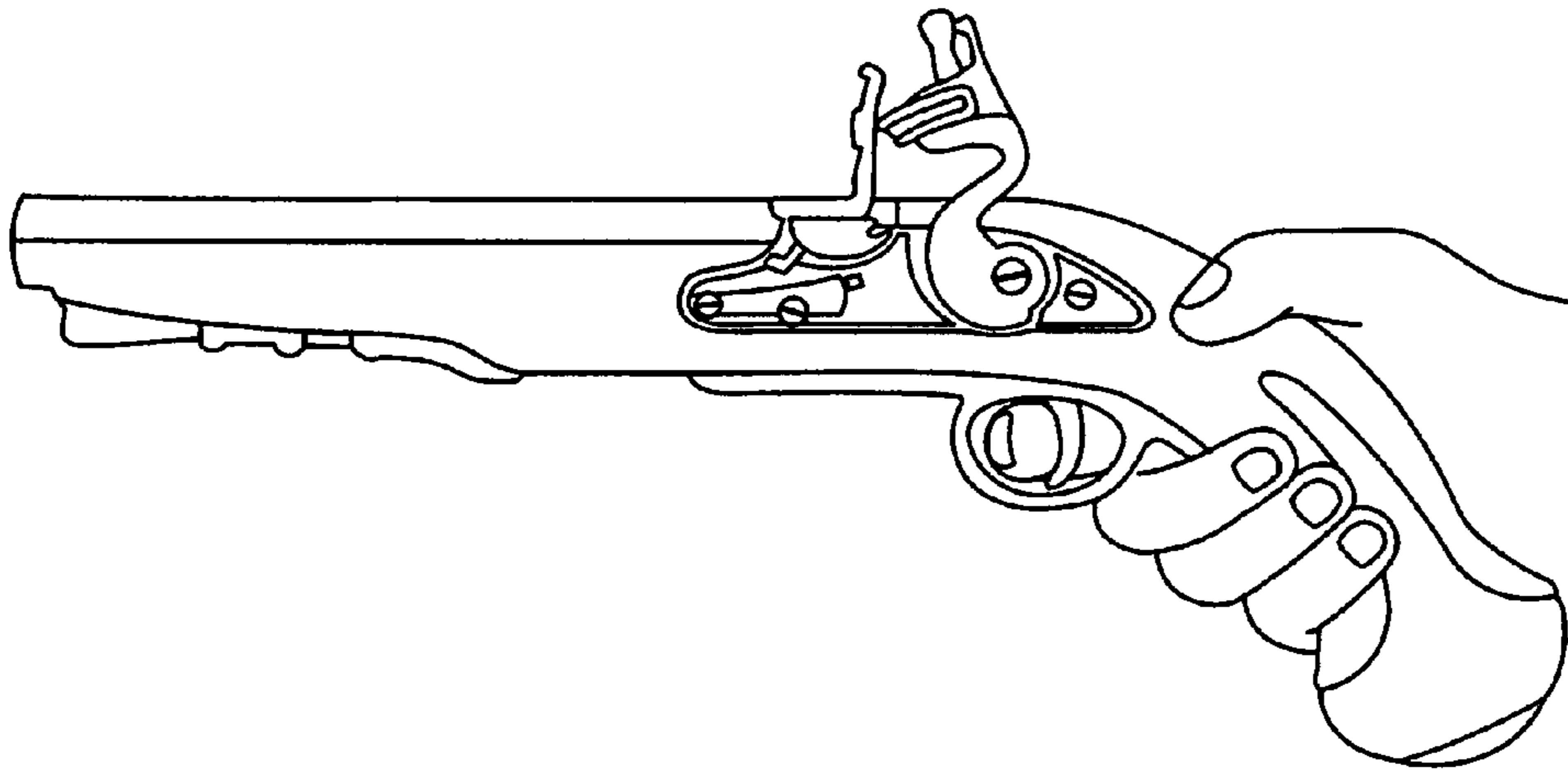


FIG. 9

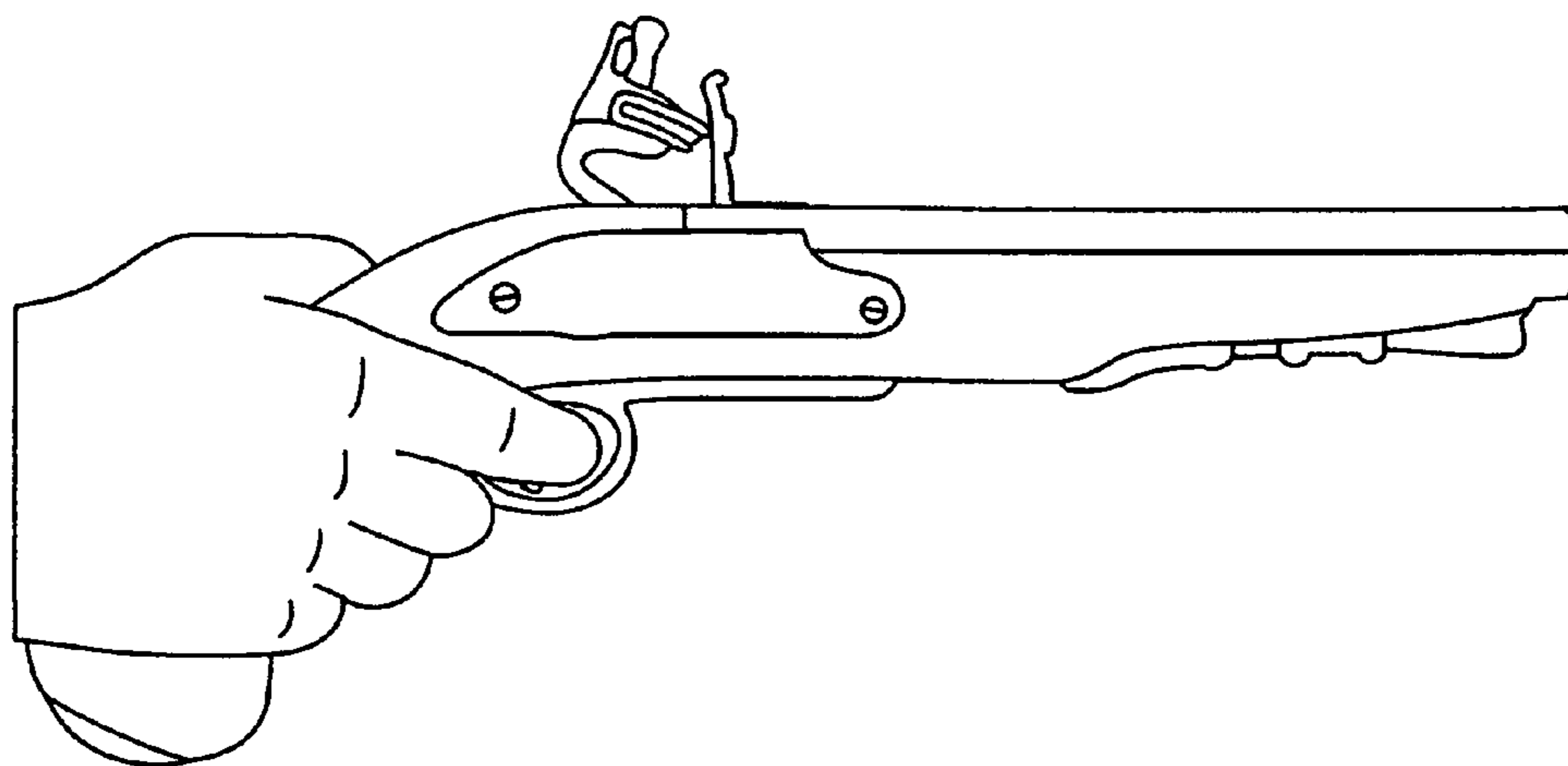


FIG. 10



FIG. 12



FIG. 11

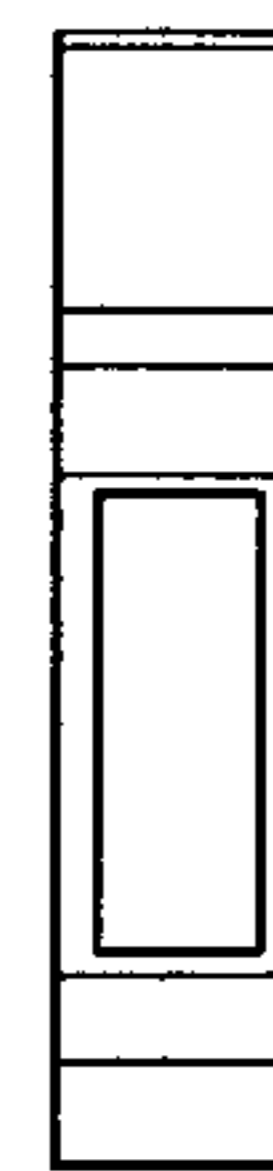


FIG. 14



FIG. 13

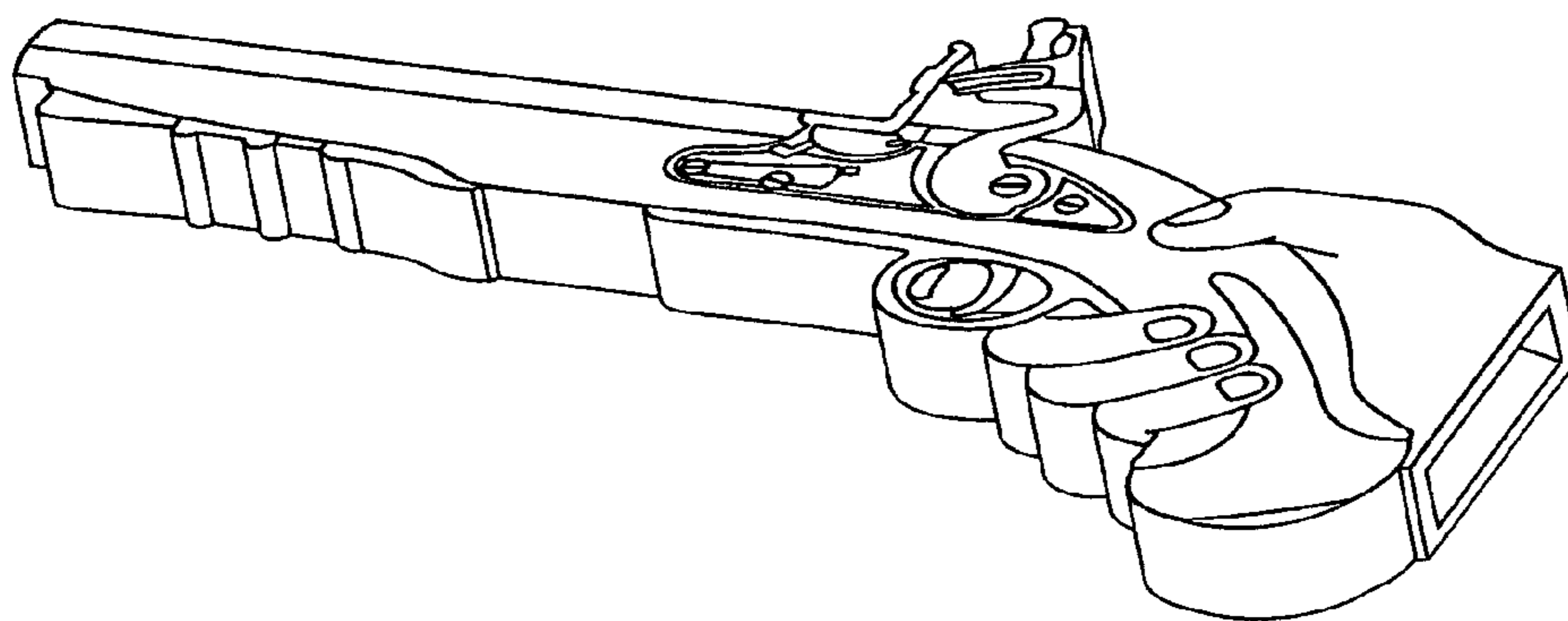


FIG. 15

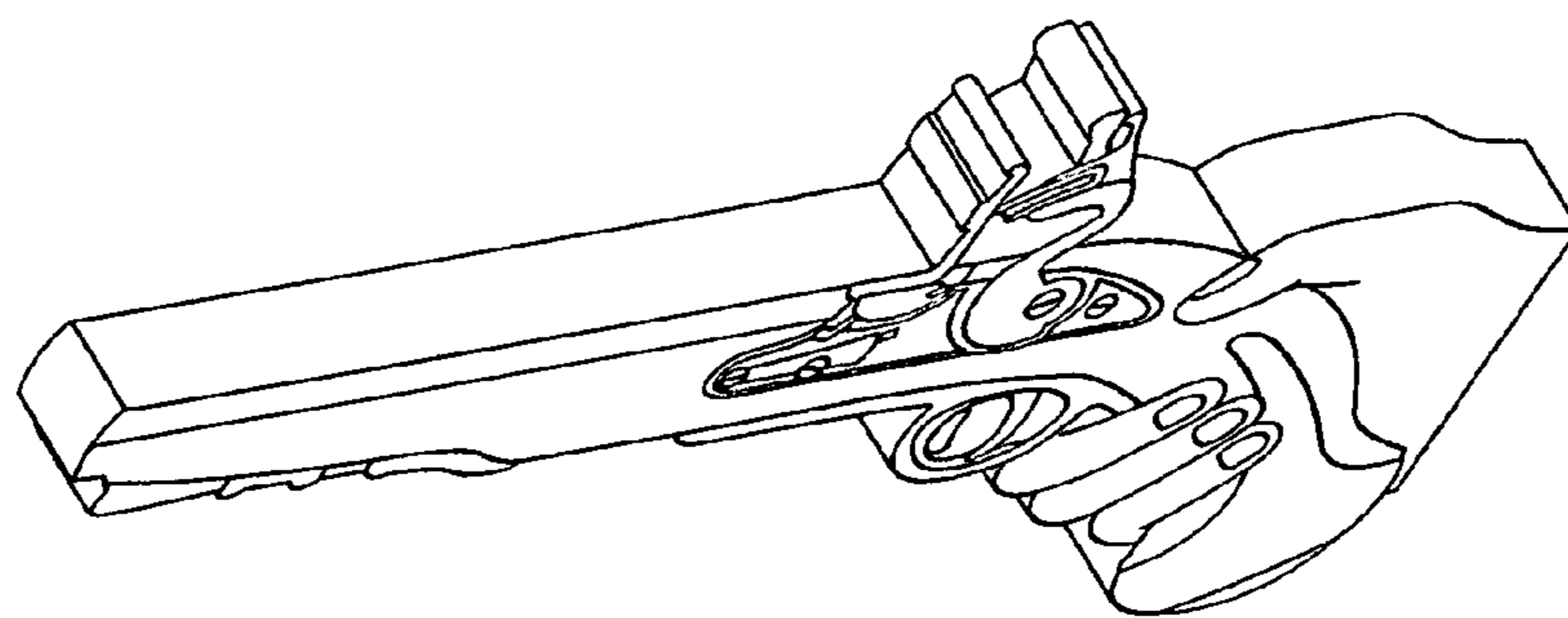


FIG. 16