



US00D666672S

(12) **United States Design Patent**
Zhang

(10) **Patent No.:** **US D666,672 S**
(45) **Date of Patent:** **** Sep. 4, 2012**

- (54) **PEN**
- (75) **Inventor:** **Youbin Zhang**, Ningbo (CN)
- (73) **Assignee:** **Beifa Group Co., Ltd.**, Ningbo (CN)
- (**) **Term:** **14 Years**
- (21) **Appl. No.:** **29/390,517**
- (22) **Filed:** **Apr. 26, 2011**
- (30) **Foreign Application Priority Data**

Oct. 26, 2010 (CN) 2010 3 0574401

- (51) **LOC (9) Cl.** **19-06**
- (52) **U.S. Cl.** **D19/51**
- (58) **Field of Classification Search** D19/35,
D19/36, 41-51, 54-58; D14/411; 24/11 F,
24/11 P, 11 R; 401/52, 99, 104-109, 192,
401/195, 196

See application file for complete search history.

(56) **References Cited**

U.S. PATENT DOCUMENTS

| | | | | |
|----------------|---------|------------------|-------|---------|
| D146,215 S * | 1/1947 | Florman | | D19/51 |
| D250,478 S | 12/1978 | Jahraus | | |
| D363,084 S | 10/1995 | Hollington | | |
| D423,579 S * | 4/2000 | Andrews et al. | | D19/51 |
| D425,559 S * | 5/2000 | Beneyto | | D19/51 |
| D430,607 S | 9/2000 | Matsuzaki | | |
| D437,352 S | 2/2001 | Matsuzaki | | |
| D463,821 S * | 10/2002 | Nishida | | D19/47 |
| D472,577 S * | 4/2003 | Sakuno et al. | | D19/51 |
| D478,626 S | 8/2003 | Stropkay | | |
| D510,386 S | 10/2005 | Briggl | | |
| D519,563 S * | 4/2006 | Pellissa Beneyto | | D19/51 |
| 7,341,388 B2 * | 3/2008 | Carroll | | 401/107 |
| D565,655 S | 4/2008 | Bhavnani | | |
| D566,179 S | 4/2008 | Qiu | | |
| D568,393 S | 5/2008 | Bhavnani | | |
| D573,185 S | 7/2008 | Qiu | | |
| D573,640 S | 7/2008 | Qiu | | |

| | | | | |
|-------------------|---------|--------------|-------|---------|
| D575,339 S * | 8/2008 | Daida | | D19/50 |
| D580,978 S | 11/2008 | Miller | | |
| D586,393 S * | 2/2009 | Nishida | | D19/49 |
| D589,559 S * | 3/2009 | Slemp | | D19/51 |
| D593,604 S * | 6/2009 | Yu et al. | | D19/47 |
| D594,059 S * | 6/2009 | Shibata | | D19/48 |
| D596,228 S * | 7/2009 | Koch | | D19/41 |
| D601,197 S | 9/2009 | Zhang | | |
| D603,451 S * | 11/2009 | Gerules | | D19/48 |
| D611,538 S * | 3/2010 | Zhou | | D19/51 |
| D629,461 S * | 12/2010 | Shibata | | D19/49 |
| D646,716 S * | 10/2011 | Losel | | D19/51 |
| D650,441 S * | 12/2011 | Ikeda | | D19/47 |
| D651,242 S * | 12/2011 | Yuan | | D19/49 |
| D651,243 S * | 12/2011 | Yuan | | D19/49 |
| 2008/0175648 A1 * | 7/2008 | Hayes et al. | | 401/108 |
| 2011/0318083 A1 * | 12/2011 | Yoon | | 401/106 |

OTHER PUBLICATIONS

- Liu, L., "Pen," U.S. Appl. No. 29/384,321, filed Jan. 28, 2011.
- Liu, L., "Pen," U.S. Appl. No. 29/384,483, filed Jan. 31, 2011.
- Zhang, Y., "Pen," U.S. Appl. No. 29/390,521, filed Apr. 26, 2011.

* cited by examiner

Primary Examiner — Elizabeth Albert

(74) *Attorney, Agent, or Firm* — Christensen O'Connor Johnson Kindness PLLC

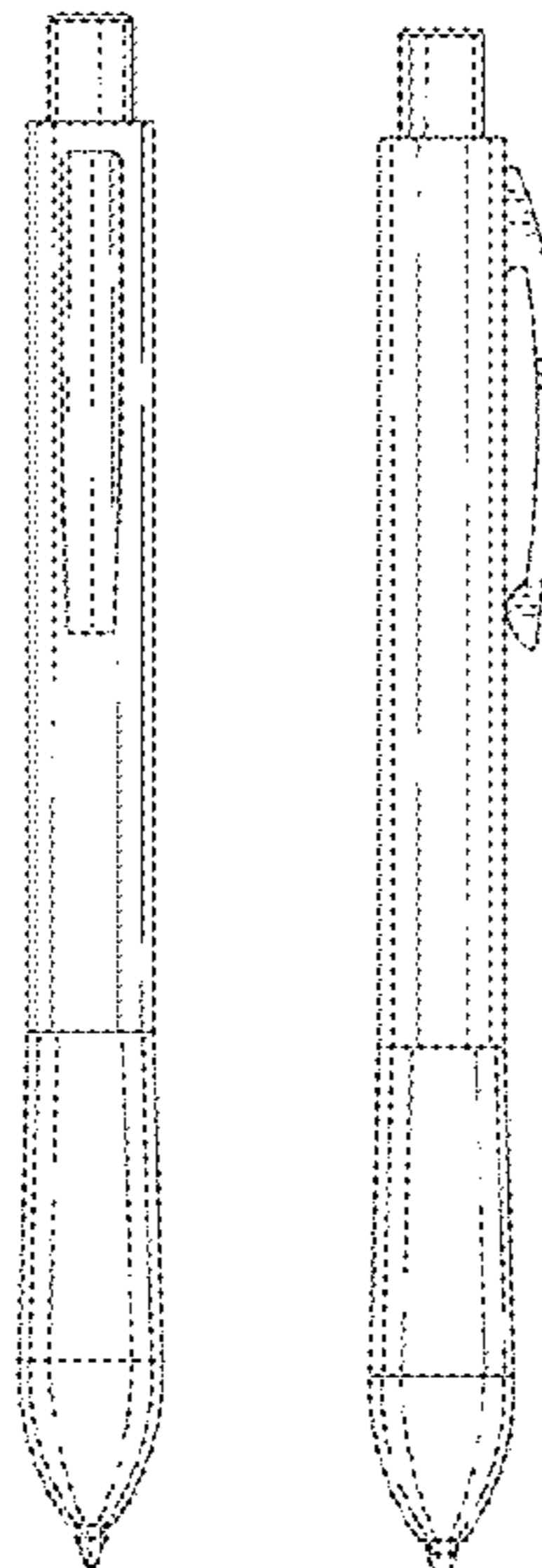
(57) **CLAIM**

The ornamental design for a pen, as shown and described.

DESCRIPTION

FIG. 1 is a lower front right perspective view of a pen showing my new design;
 FIG. 2 is a front elevation view thereof;
 FIG. 3 is a rear elevation view thereof;
 FIG. 4 is a left side elevation view thereof, with the right side elevation view being a mirror image of the left side elevation view;
 FIG. 5 is an enlarged top plan view thereof; and,
 FIG. 6 is an enlarged bottom plan view thereof.

1 Claim, 3 Drawing Sheets



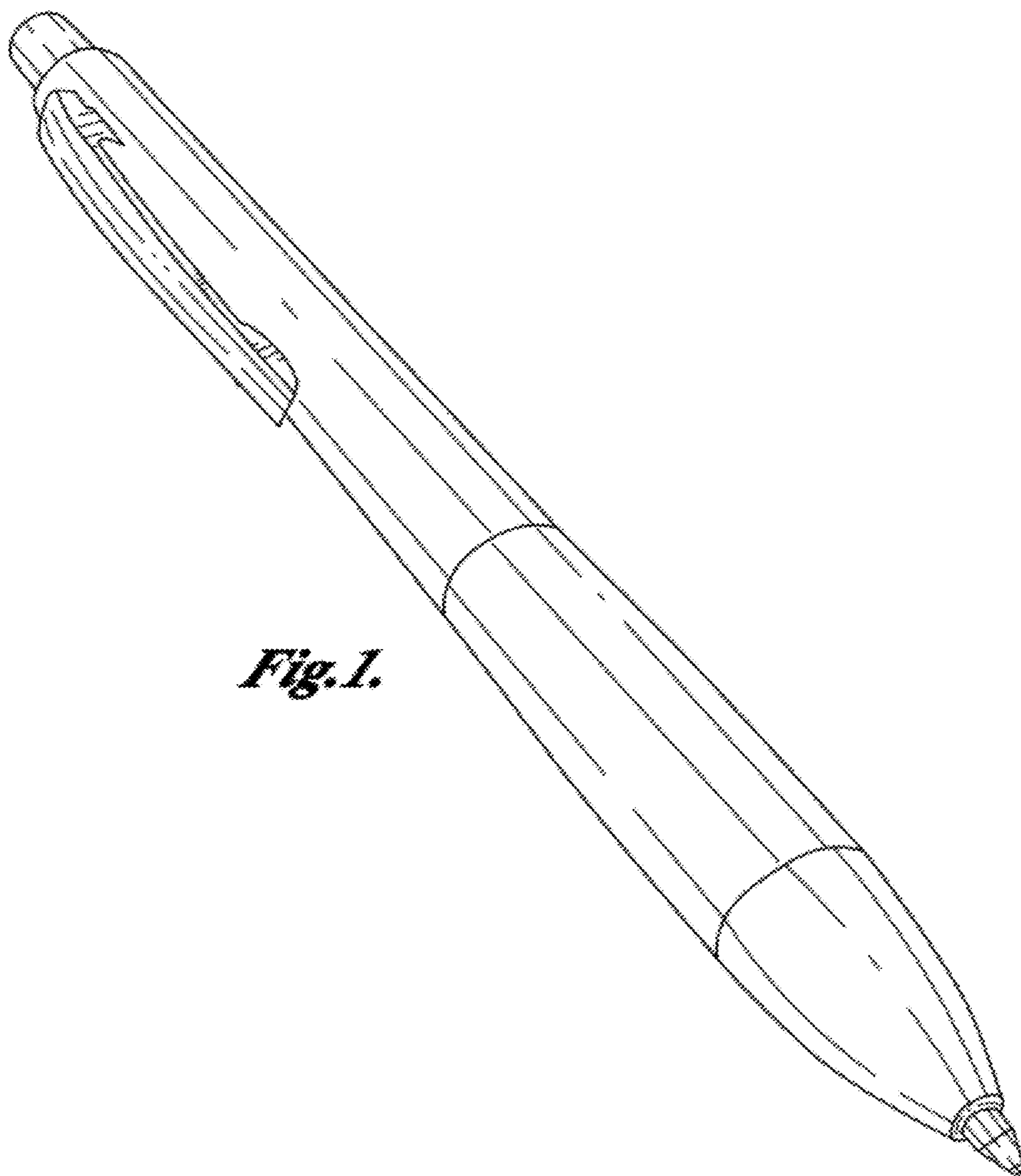


Fig. 1.

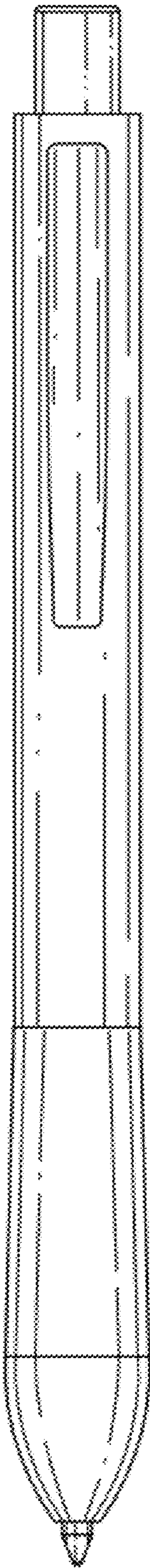


Fig. 2.

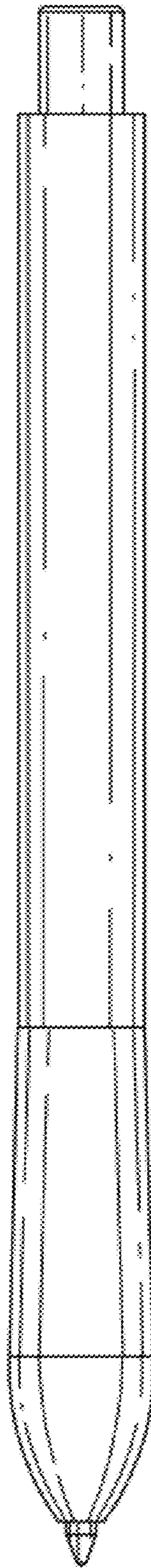


Fig. 3.

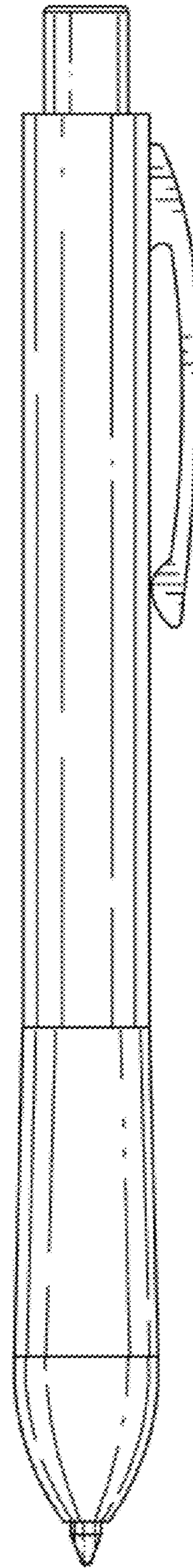


Fig. 4.

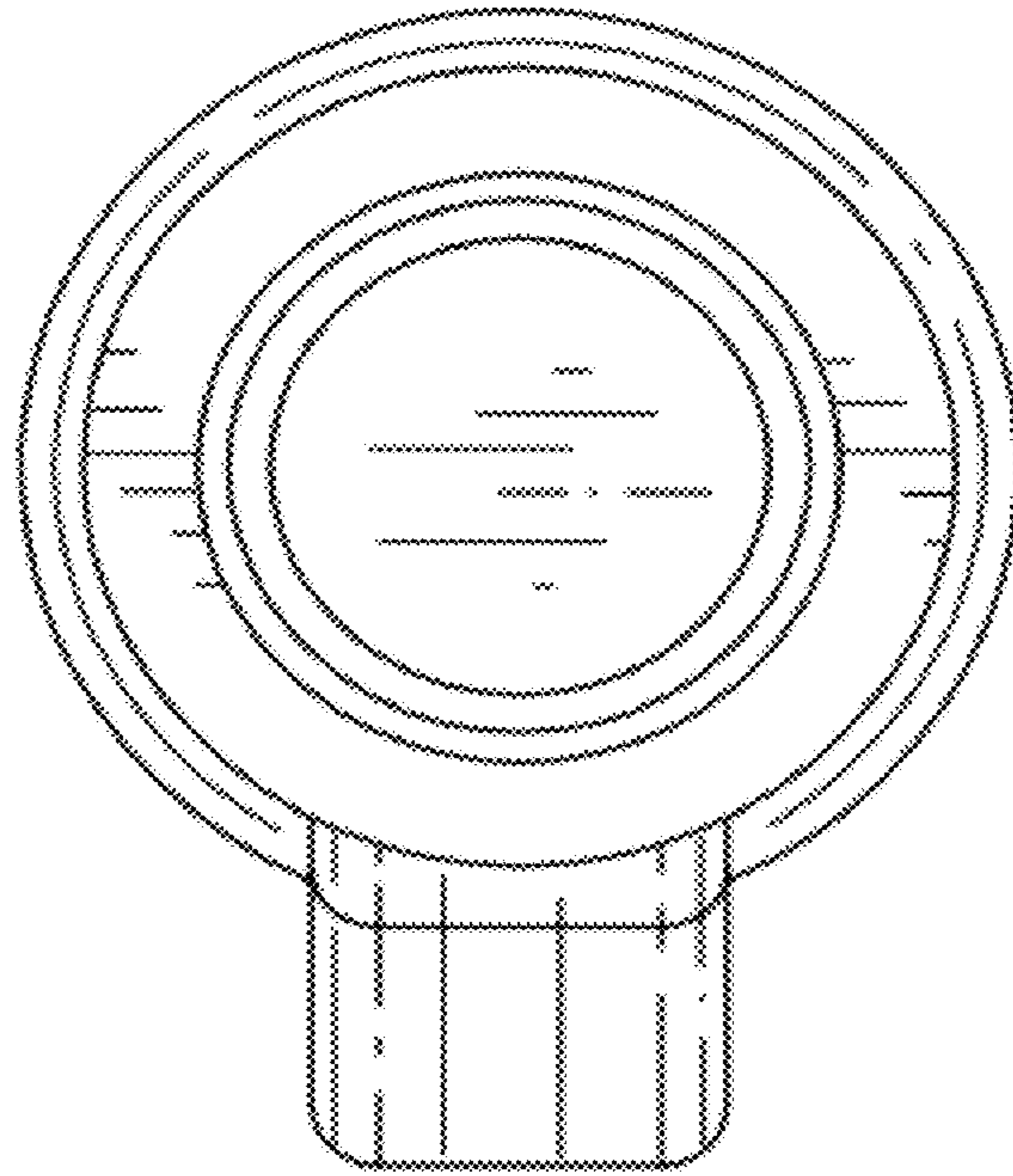


Fig. 5.

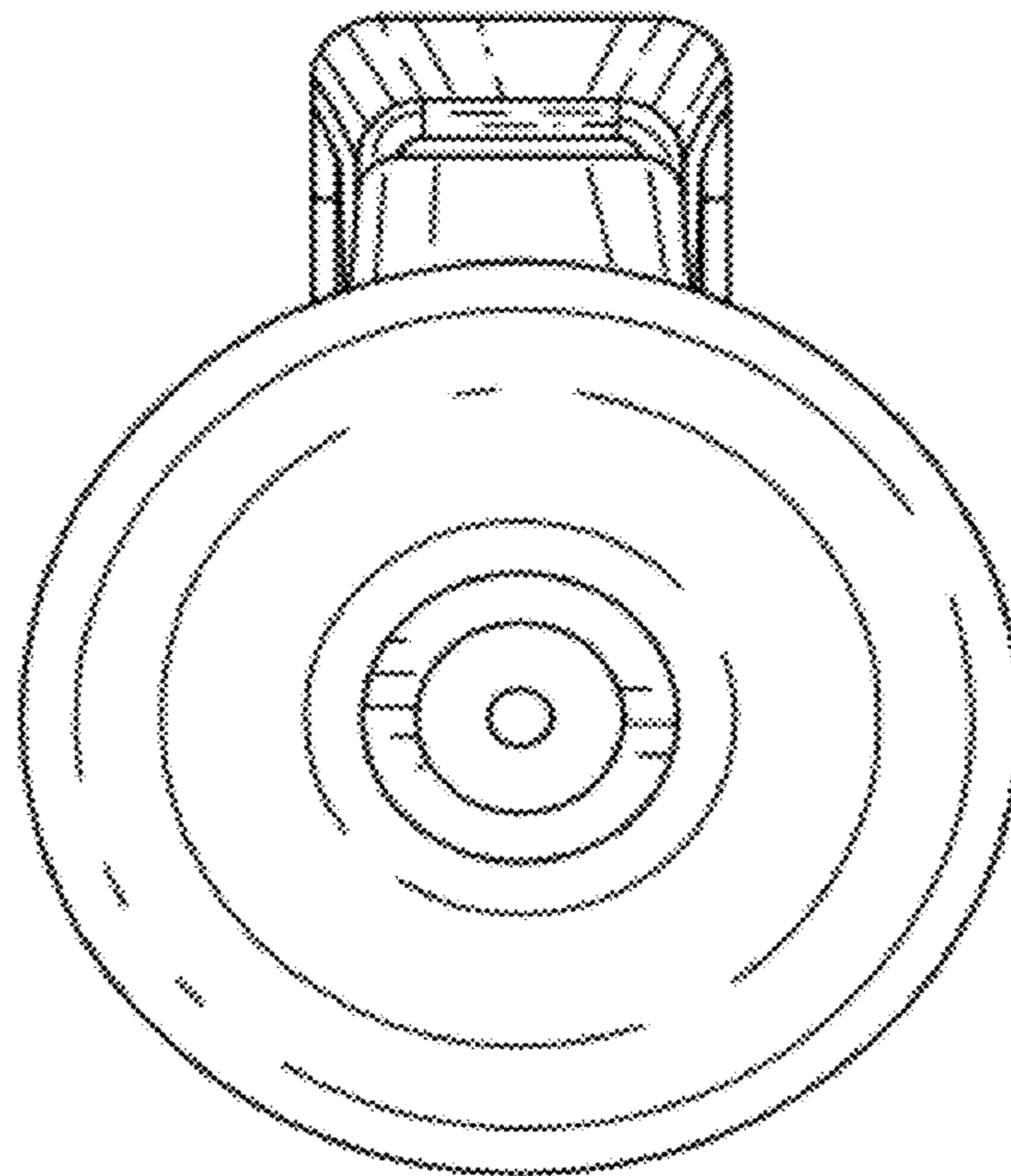


Fig. 6.