



US00D666671S

(12) **United States Design Patent**  
**Liu**

(10) **Patent No.:** **US D666,671 S**

(45) **Date of Patent:** **\*\* \*Sep. 4, 2012**

(54) **PEN**

(75) Inventor: **Liang Liu**, Ningbo (CN)

(73) Assignee: **Beifa Group Co., Ltd.**, Ningbo (CN)

(\*) Notice: This patent is subject to a terminal disclaimer.

(\*\*) Term: **14 Years**

(21) Appl. No.: **29/384,487**

(22) Filed: **Jan. 31, 2011**

(30) **Foreign Application Priority Data**

Aug. 1, 2010 (CN) ..... 2010 3 0260974

(51) **LOC (9) Cl.** ..... **19-06**

(52) **U.S. Cl.** ..... **D19/51**

(58) **Field of Classification Search** ..... D19/35,  
D19/36, 41-51, 54-58; D14/411, 431; 24/11 R,  
24/11 F, 11 P; 401/52, 99, 100, 104-109,  
401/192, 195, 196

See application file for complete search history.

(56) **References Cited**

**U.S. PATENT DOCUMENTS**

D219,797 S	1/1971	Shimano	
D229,107 S *	11/1973	Wakai et al.	D19/49
D254,912 S	5/1980	Ito	
D282,553 S *	2/1986	LeBlanc	D19/49
D282,753 S *	2/1986	LeBlanc	D19/49
D284,872 S	7/1986	Booker	
D327,707 S	7/1992	Katami	
D339,162 S	9/1993	Verhaegue	
D339,378 S	9/1993	Verhaegue	
D354,514 S	1/1995	de Baillon	
D367,673 S	3/1996	Compte	
D368,930 S	4/1996	Payne	

D383,494 S	9/1997	Polenberg	
D398,934 S	9/1998	Veillon	
D404,764 S	1/1999	Perry	
6,019,536 A *	2/2000	Lee	401/195
D430,208 S *	8/2000	Veillon	D19/50
D436,995 S	1/2001	Veillon	
D452,271 S	12/2001	Owen	
D488,508 S *	4/2004	Finney et al.	D19/51
D547,375 S	7/2007	Gerules	
7,431,526 B2 *	10/2008	Lin	401/195
D610,617 S	2/2010	Zhang	
D611,539 S *	3/2010	Zhang	D19/51
D618,724 S *	6/2010	Gerules et al.	D19/51
D628,646 S	12/2010	Zhano	
D638,878 S *	5/2011	Parmigiani	D19/49
D647,966 S *	11/2011	Koch	D19/51

**OTHER PUBLICATIONS**

Liu, L., "Pen," U.S. Appl. No. 29/384,483, filed Jan. 31, 2011.

\* cited by examiner

*Primary Examiner* — Elizabeth Albert

(74) *Attorney, Agent, or Firm* — Christensen O'Connor Johnson Kindness PLLC

(57) **CLAIM**

The ornamental design for a pen, as shown and described.

**DESCRIPTION**

FIG. 1 is a lower front right perspective view of a pen showing my new design;

FIG. 2 is an upper front left perspective view thereof;

FIG. 3 is a right side elevation view thereof, with the left side elevation view being a mirror image of the right side elevation view;

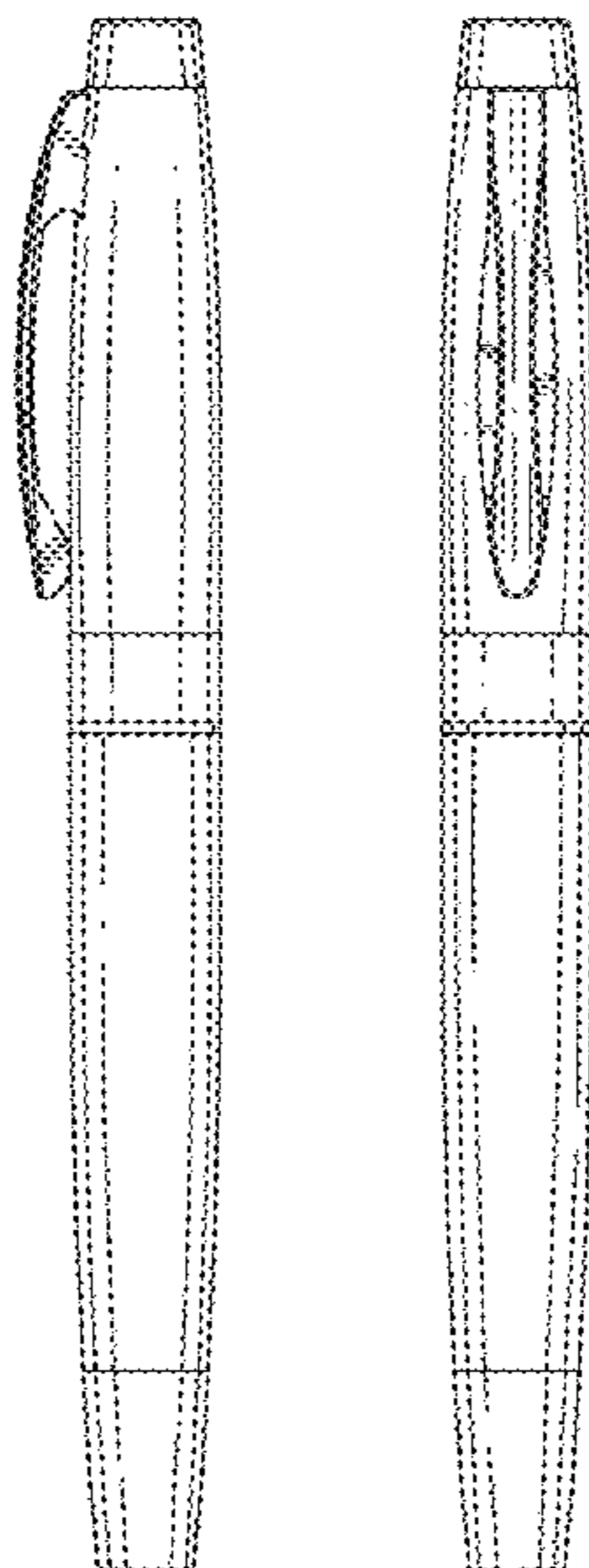
FIG. 4 is a front elevation view thereof;

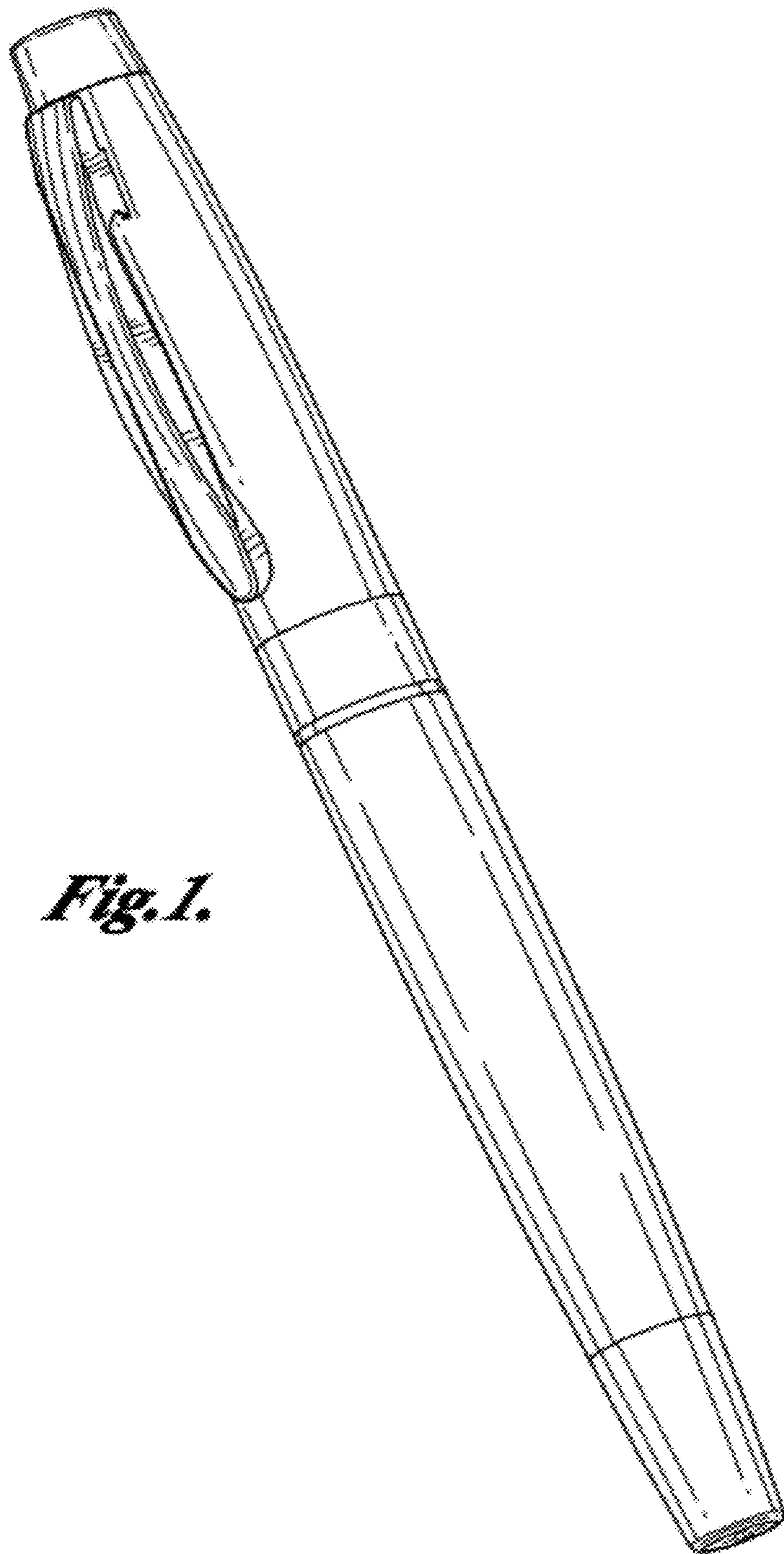
FIG. 5 is a rear elevation view thereof;

FIG. 6 is an enlarged top plan view thereof; and,

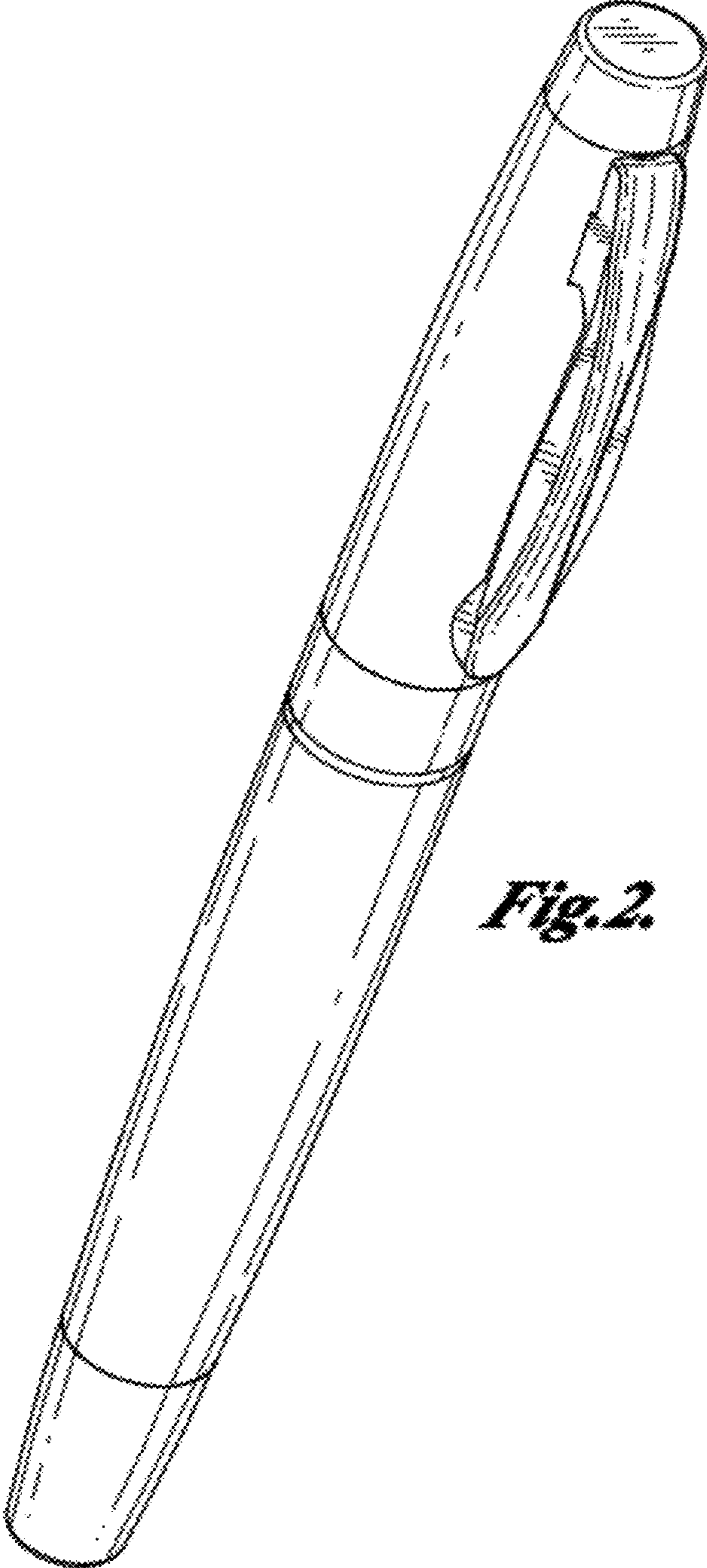
FIG. 7 is an enlarged bottom plan view thereof.

**1 Claim, 4 Drawing Sheets**

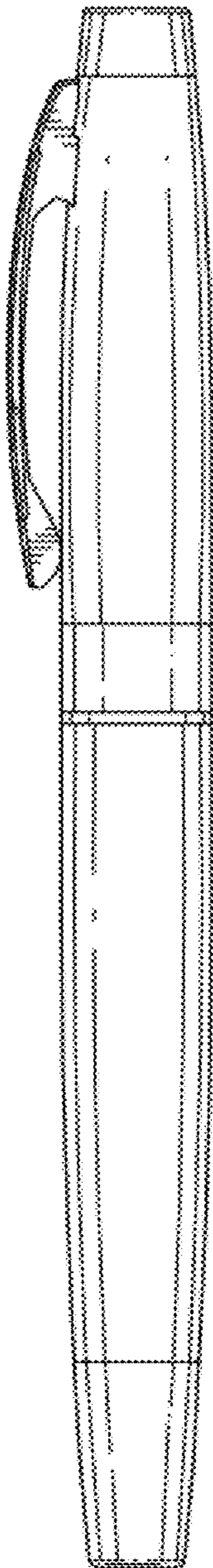




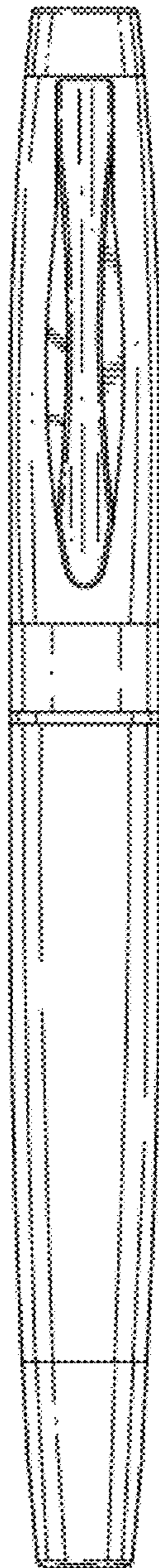
*Fig. 1.*



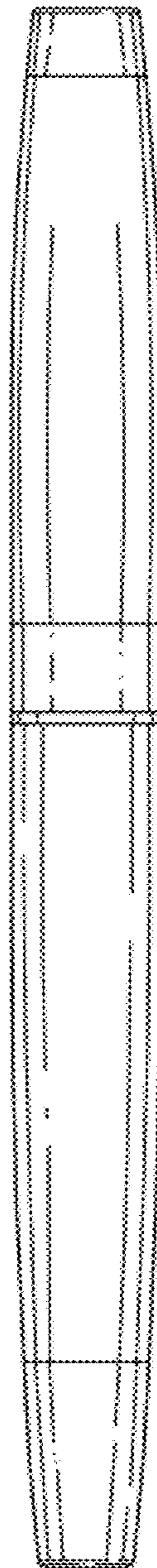
*Fig. 2.*



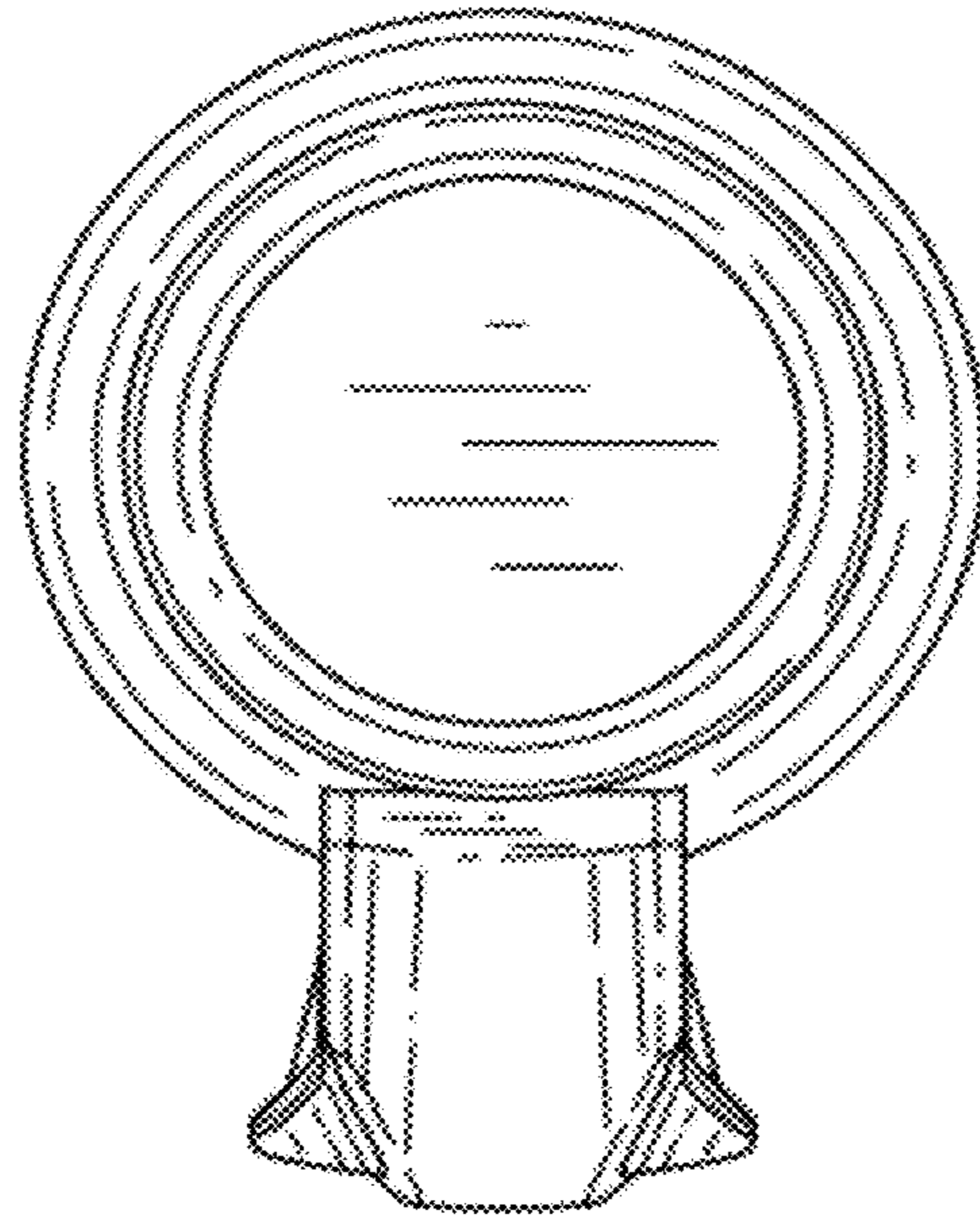
*Fig. 3.*



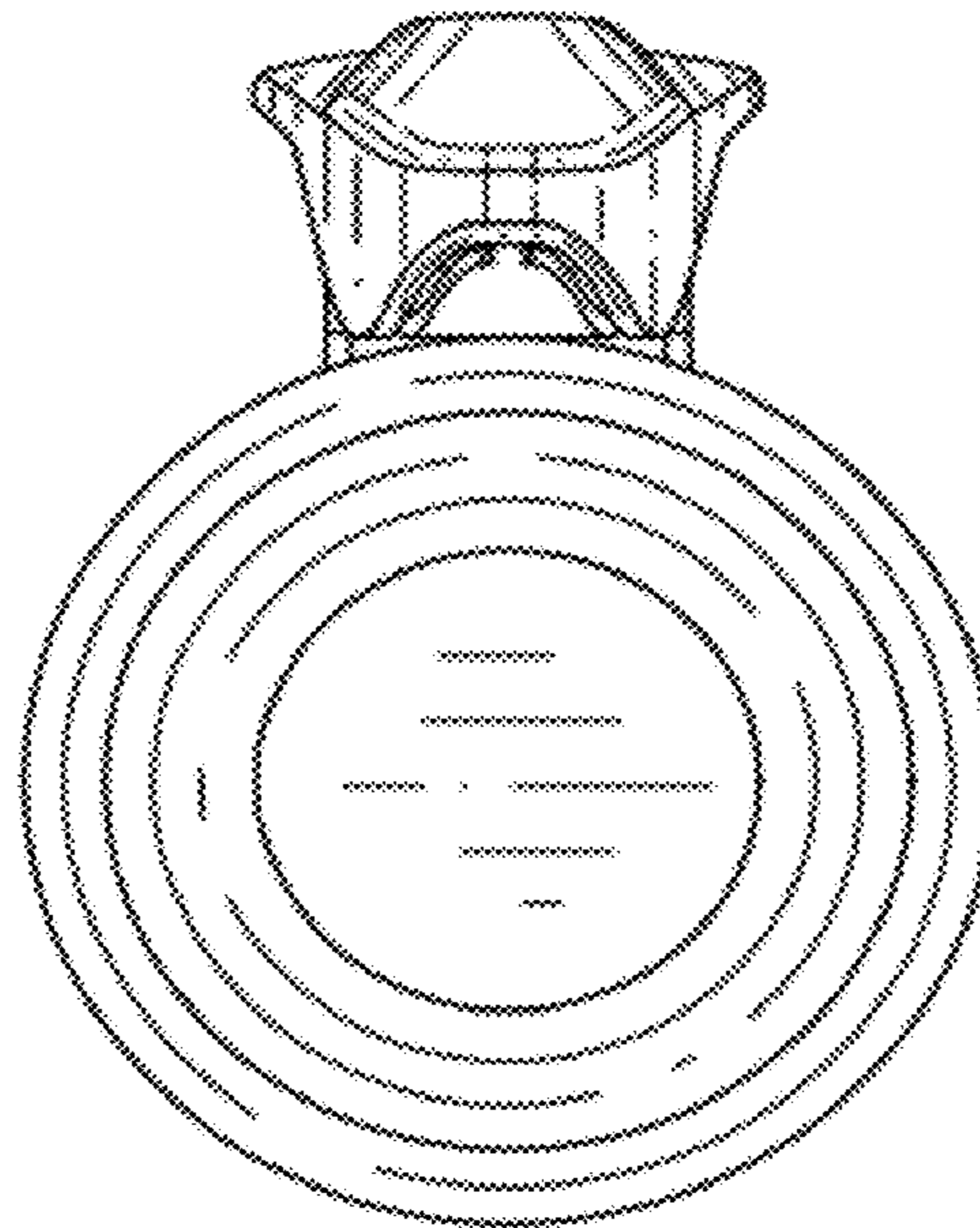
*Fig. 4.*



*Fig. 5.*



*Fig. 6.*



*Fig. 7.*