



US00D666670S

(12) **United States Design Patent**
Dehne

(10) **Patent No.:** **US D666,670 S**

(45) **Date of Patent:** **** Sep. 4, 2012**

(54) **CRAFT BEAD ROLLER**

(76) Inventor: **Vicki L. Dehne**, Bel Air, MD (US)

(**) Term: **14 Years**

(21) Appl. No.: **29/397,209**

(22) Filed: **Jul. 13, 2011**

(51) **LOC (9) Cl.** **19-06**

(52) **U.S. Cl.** **D19/35**

(58) **Field of Classification Search** D8/14,
D8/82, 83, 84, 85, 87, 107, DIG. 7; D19/35,
D19/36; D24/152; 156/450

See application file for complete search history.

(56) **References Cited**

U.S. PATENT DOCUMENTS

1,325,070	A *	12/1919	Andrews	81/439
1,442,181	A *	1/1923	Simon	81/436
1,768,035	A *	6/1930	Domaratus	30/163
2,299,296	A *	10/1942	Battle	132/120
2,907,302	A *	10/1959	Raszl	401/104
D220,377	S *	4/1971	Benfer	D8/14
D300,404	S *	3/1989	Lauer	D8/98
D328,844	S *	8/1992	Fritz	D8/70
5,150,261	A *	9/1992	Tsai	359/810
D336,659	S *	6/1993	Lin	D19/36
D348,314	S *	6/1994	Schoenheit	D23/403
D377,745	S *	2/1997	Laun	D8/107
D379,578	S *	6/1997	Daniels	D8/70
5,871,294	A *	2/1999	Turner	401/52

D421,887	S *	3/2000	Hung	D8/83
D422,193	S *	4/2000	Walker	D8/107
D426,451	S *	6/2000	Rosenbaum	D8/107
D432,890	S *	10/2000	Webb	D8/107
D500,433	S *	1/2005	Klaas	D8/14
D620,958	S *	8/2010	Tipton et al.	D15/126
D662,206	S *	6/2012	Way et al.	D24/152
2010/0212837	A1 *	8/2010	Dehne	156/450
2011/0319895	A1 *	12/2011	Gamache	606/79

* cited by examiner

Primary Examiner — Elizabeth Albert

(74) *Attorney, Agent, or Firm* — Sherr & Vaughn, PLLC

(57) **CLAIM**

The ornamental design for a craft bead roller, as shown.

DESCRIPTION

FIG. 1 shows a perspective view of a craft bead roller showing my new design;

FIG. 2 shows a front plan view of the craft bead roller of FIG. 1;

FIG. 3 shows a rear plan view of the craft bead roller of FIG. 1;

FIG. 4 shows a right side view of the craft bead roller of FIG. 1;

FIG. 5 shows a left side view of the craft bead roller of FIG. 1;

FIG. 6 shows a top plan view of the craft bead roller of FIG. 1; and,

FIG. 7 shows a bottom plan view of the craft bead roller of FIG. 1.

1 Claim, 4 Drawing Sheets

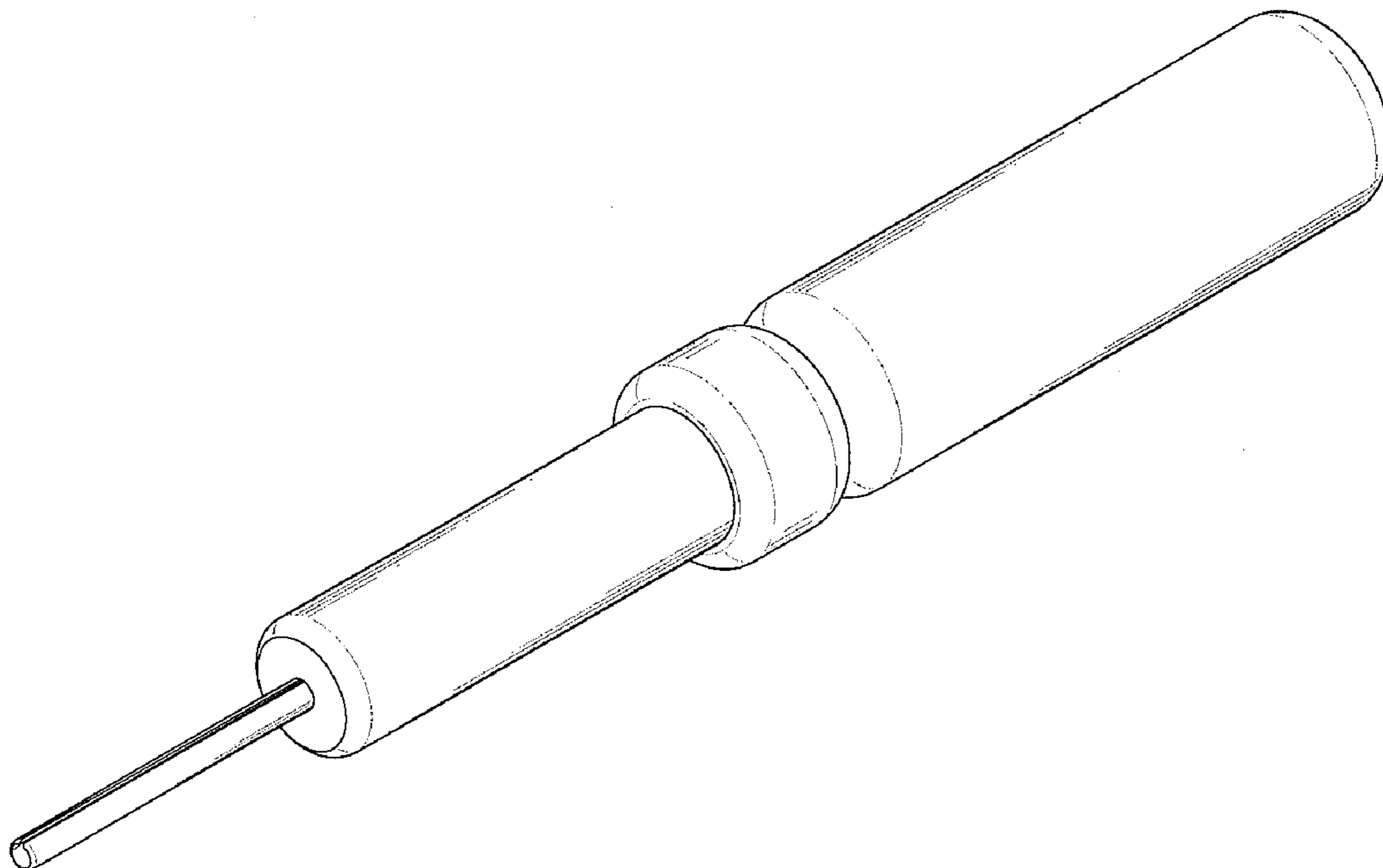


FIG. 1

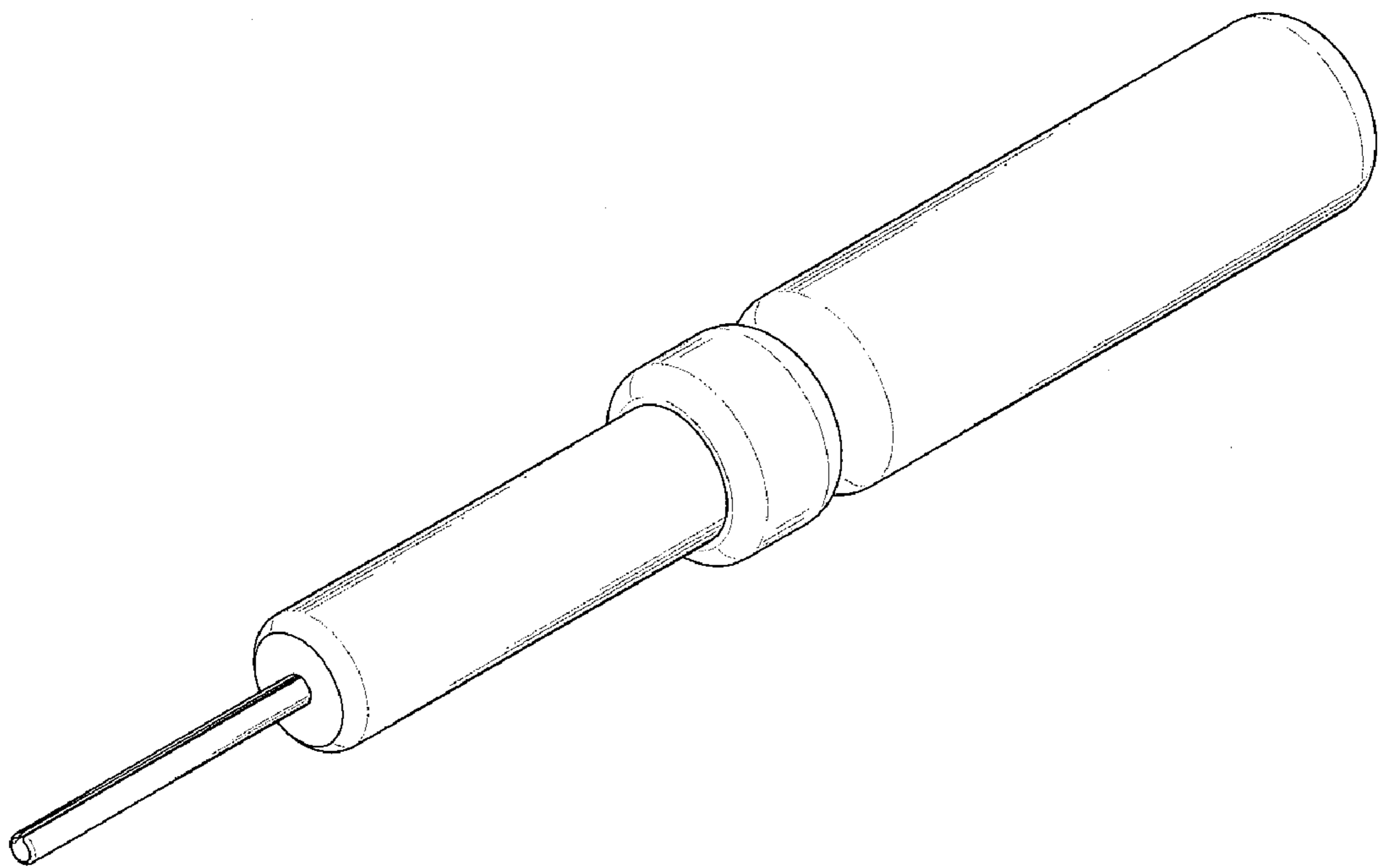


FIG. 2

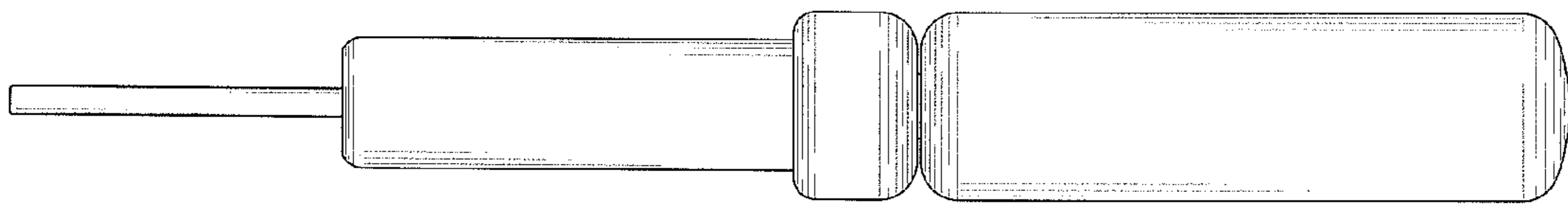


FIG. 3

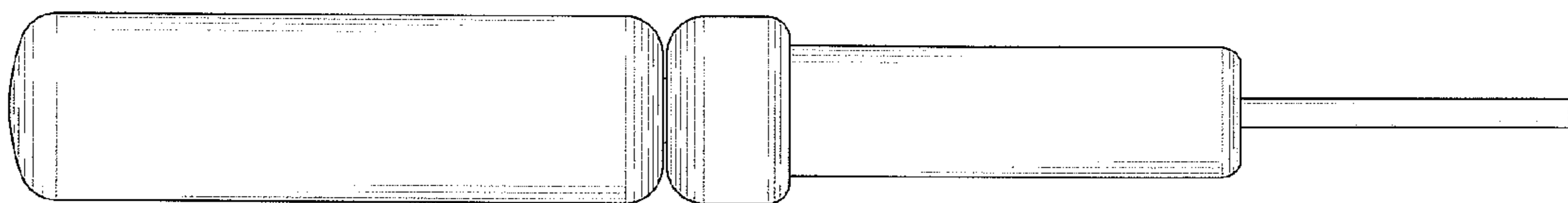


FIG. 4

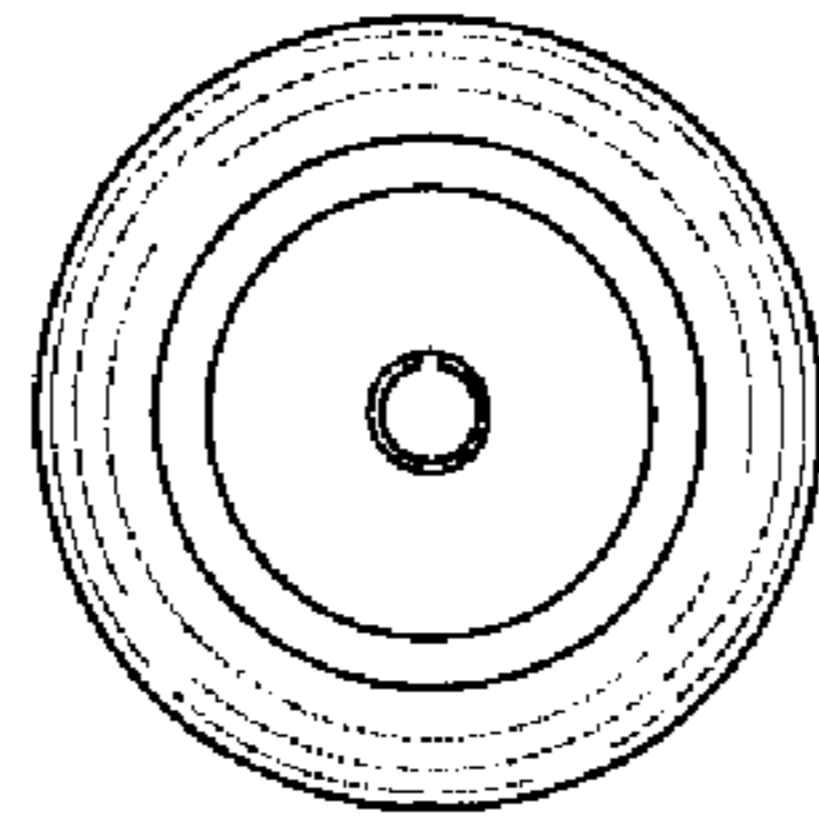


FIG. 5

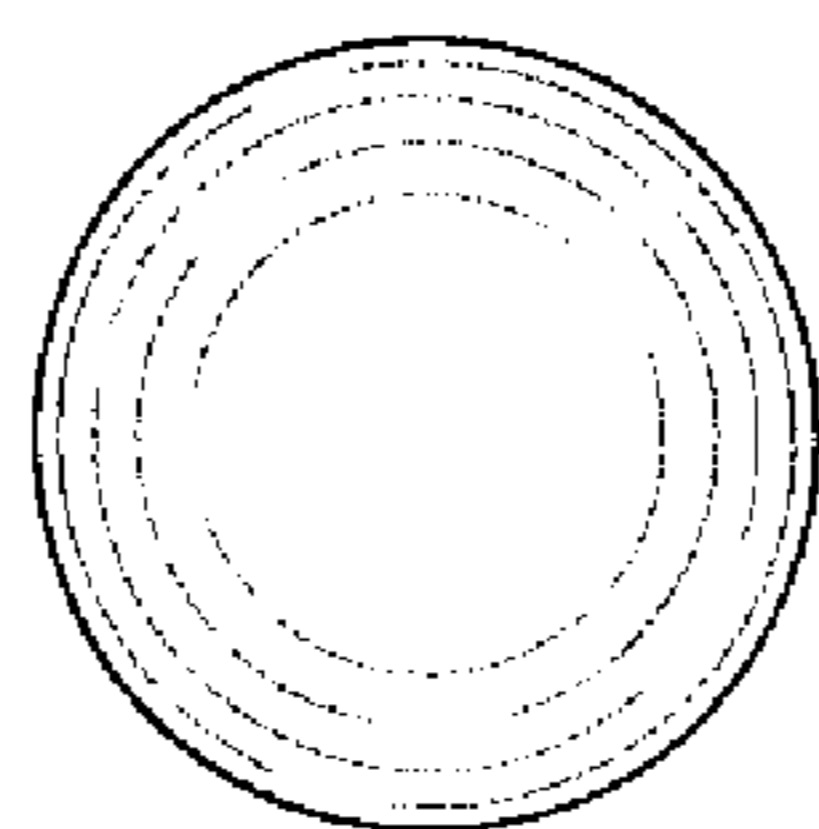


FIG. 6

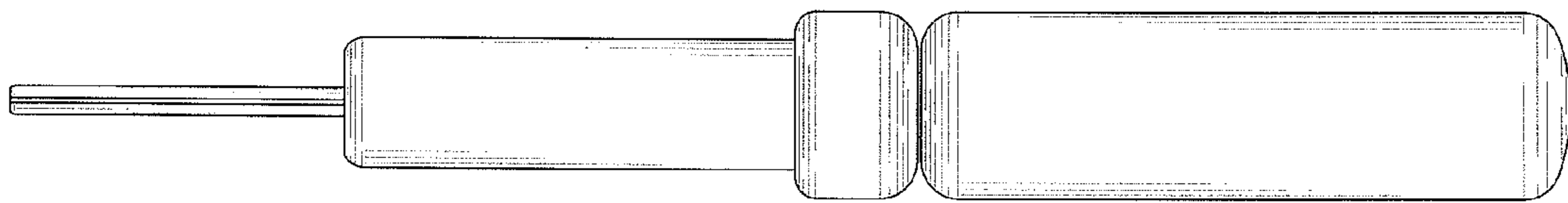


FIG. 7

