

US00D666666S

(12) **United States Design Patent**
Brown et al.

(10) **Patent No.:** **US D666,666 S**

(45) **Date of Patent:** **** *Sep. 4, 2012**

(54) **CONTINUOUS FEED PRINTER**

(75) Inventors: **Donald A Brown**, Honeoye Falls, NY (US); **William T Clark, III**, Pittsford, NY (US); **Stephen F Skrainar**, Penfield, NY (US)

(73) Assignee: **Xerox Corporation**, Norwalk, CT (US)

(*) Notice: This patent is subject to a terminal disclaimer.

(**) Term: **14 Years**

(21) Appl. No.: **29/403,941**

(22) Filed: **Oct. 13, 2011**

Related U.S. Application Data

(63) Continuation-in-part of application No. 29/361,614, filed on May 13, 2010, now Pat. No. Des. 650,417.

(51) **LOC (9) Cl.** **18-02**

(52) **U.S. Cl.** **D18/53**

(58) **Field of Classification Search** D18/53, D18/50, 55, 36-39, 40, 46-49; D14/301, D14/303; 270/1.01; 271/8.1; 101/2; 358/1.1; 355/78; 399/361

See application file for complete search history.

(56) **References Cited**

U.S. PATENT DOCUMENTS

D450,343 S * 11/2001 Matsuo et al. D18/39
D544,534 S * 6/2007 Reece D18/53

D614,233 S * 4/2010 Kemmochi et al. D18/53
D621,442 S * 8/2010 Kachi et al. D18/39
D625,756 S * 10/2010 Penke et al. D18/53
D648,380 S * 11/2011 Clark et al. D18/53
8,049,910 B2 * 11/2011 Beckman et al. 358/1.13
D650,417 S * 12/2011 Brown et al. D18/53
2004/0066527 A1 * 4/2004 Kloosterman et al. 358/1.15
2010/0104314 A1 * 4/2010 Brewer et al. 399/92

* cited by examiner

Primary Examiner — Bridget L Eland

(74) *Attorney, Agent, or Firm* — Tallam I. Nguti

(57) **CLAIM**

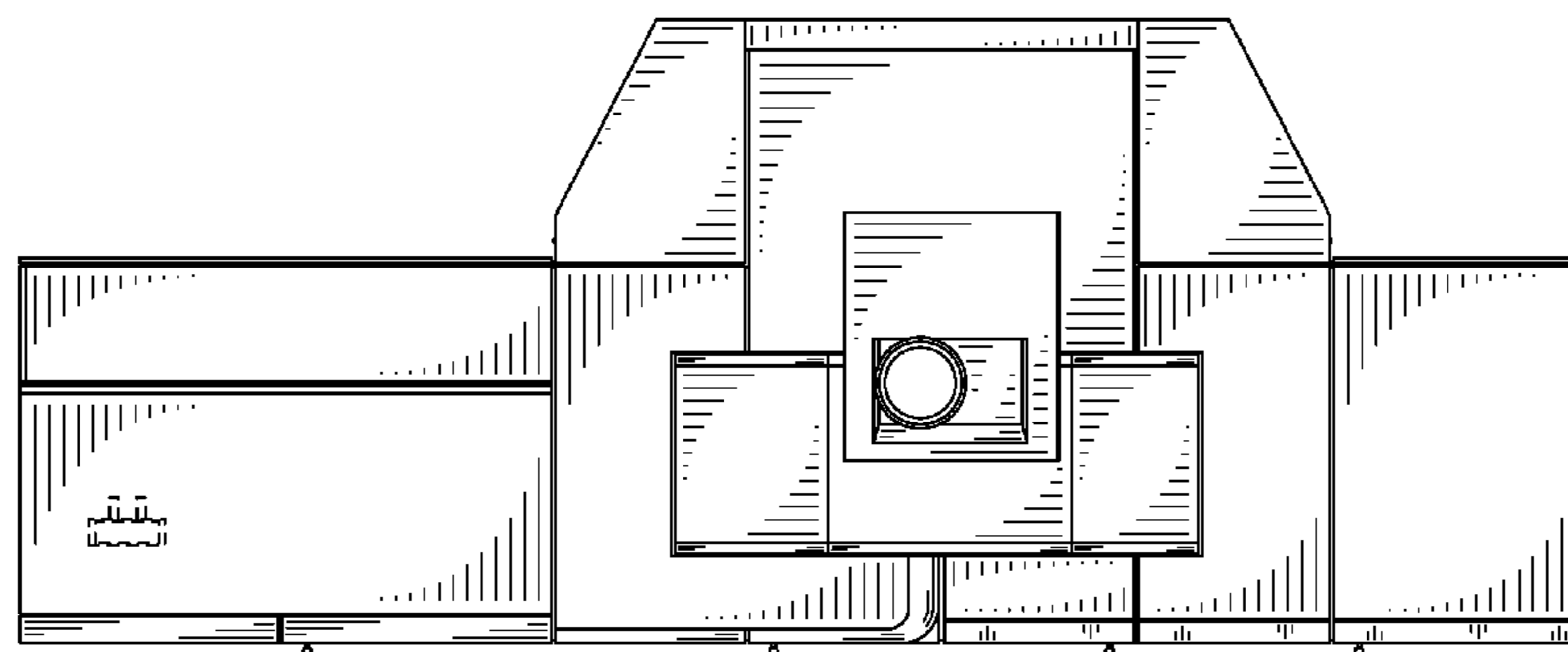
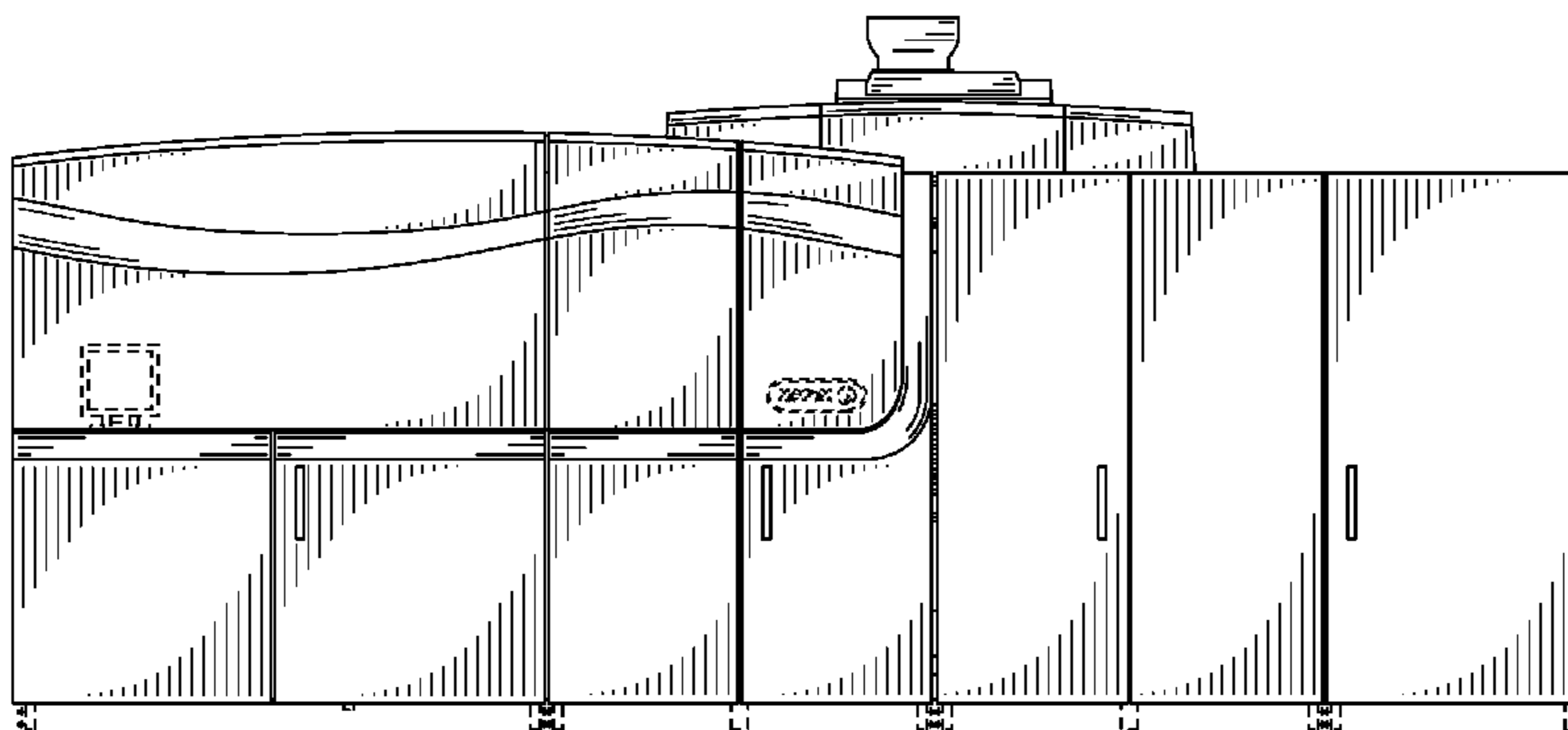
The ornamental design for a continuous feed printer, as shown and described.

DESCRIPTION

FIG. 1 is a perspective view of a continuous feed printer in accordance with the present invention; FIG. 2 is a front view thereof; FIG. 3 is a right side view thereof; FIG. 4 is a rear view thereof; FIG. 5 is a left side view thereof; FIG. 6 is a top plan view thereof; and, FIG. 7 is a bottom plan view thereof.

The broken lines immediately adjacent the shaded areas represent the bounds of the claimed design while all other broken lines are directed to environment and are for illustrative purposes only; the broken lines form no part of the claimed design.

1 Claim, 7 Drawing Sheets



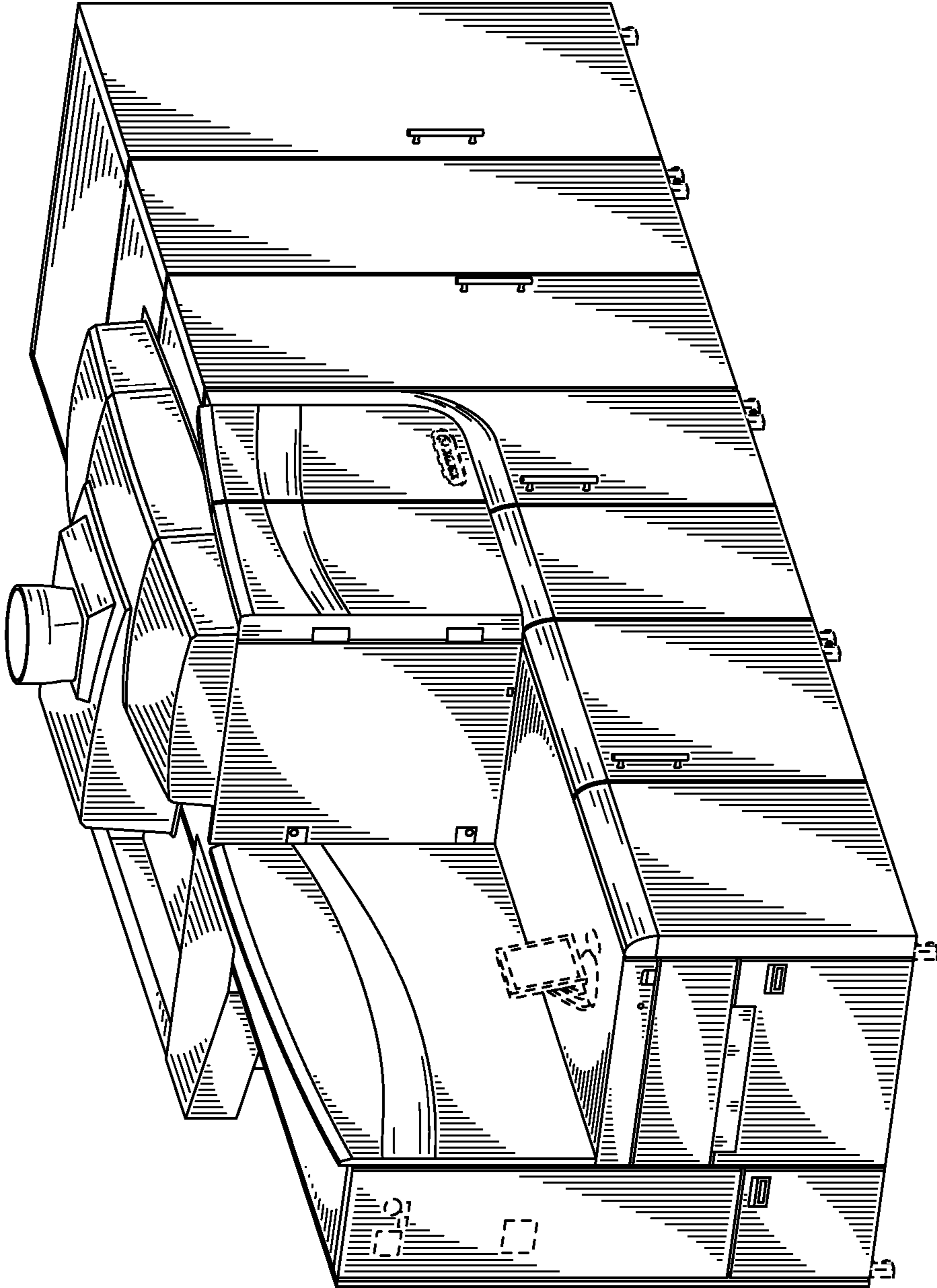


FIG. 1

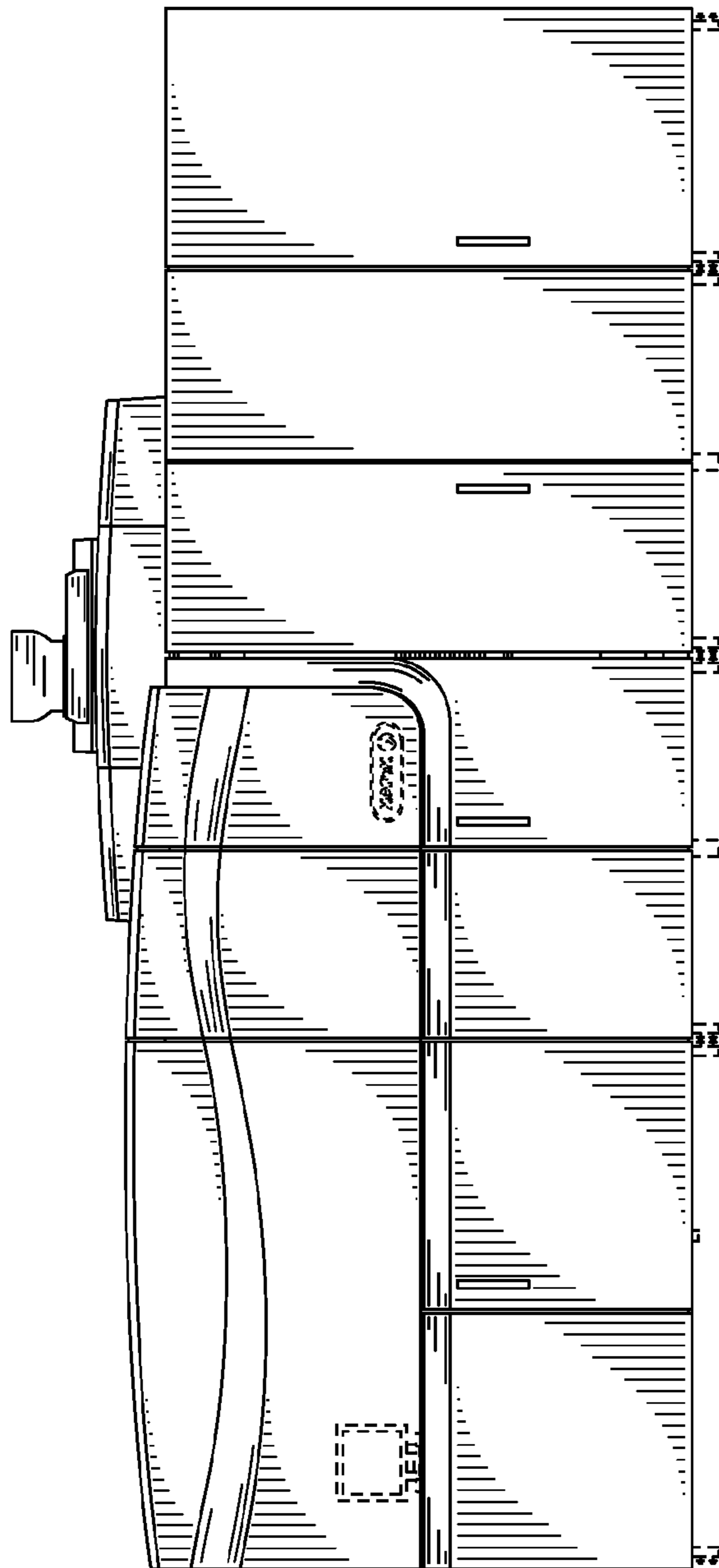


FIG. 2

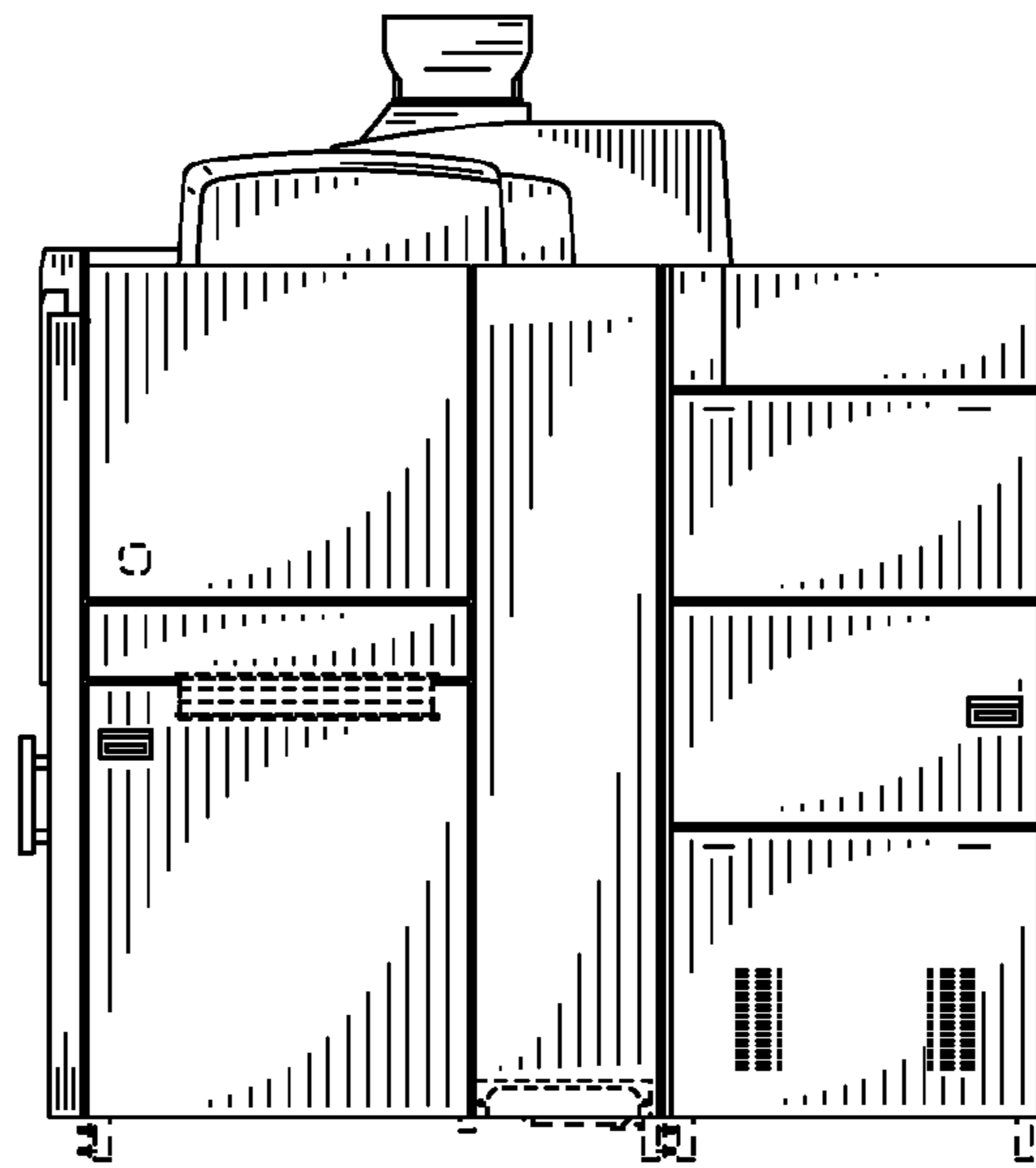


FIG. 3

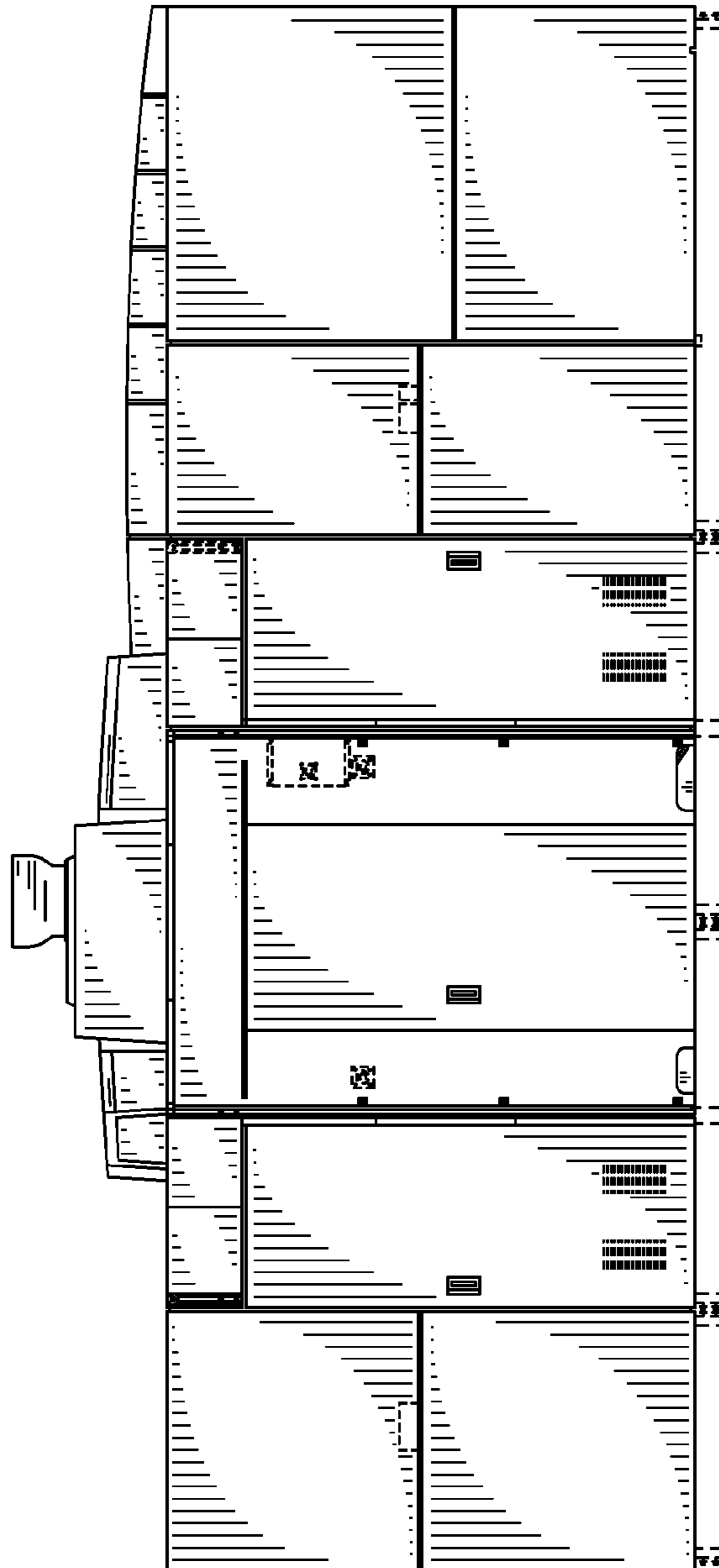


FIG. 4

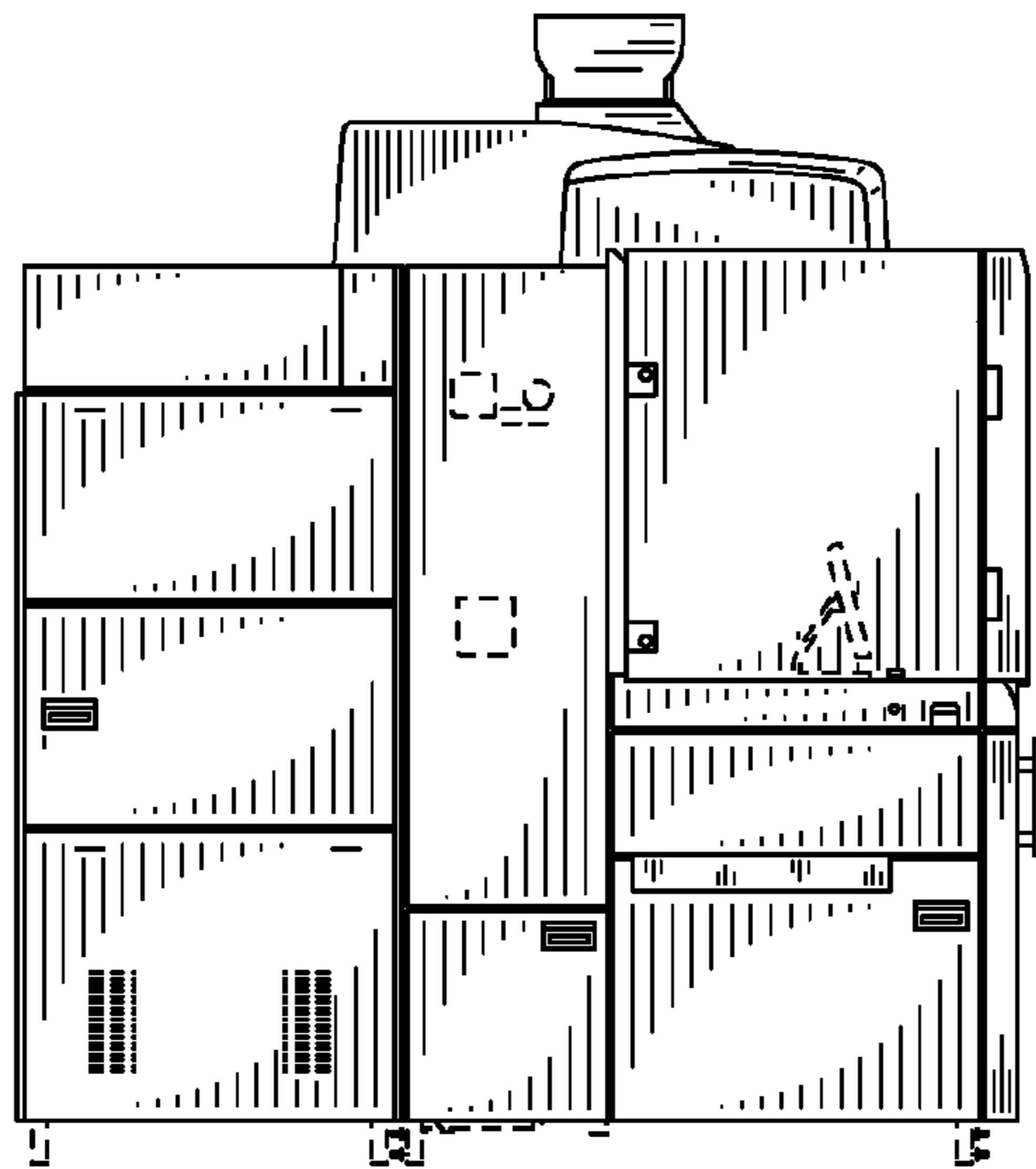


FIG. 5

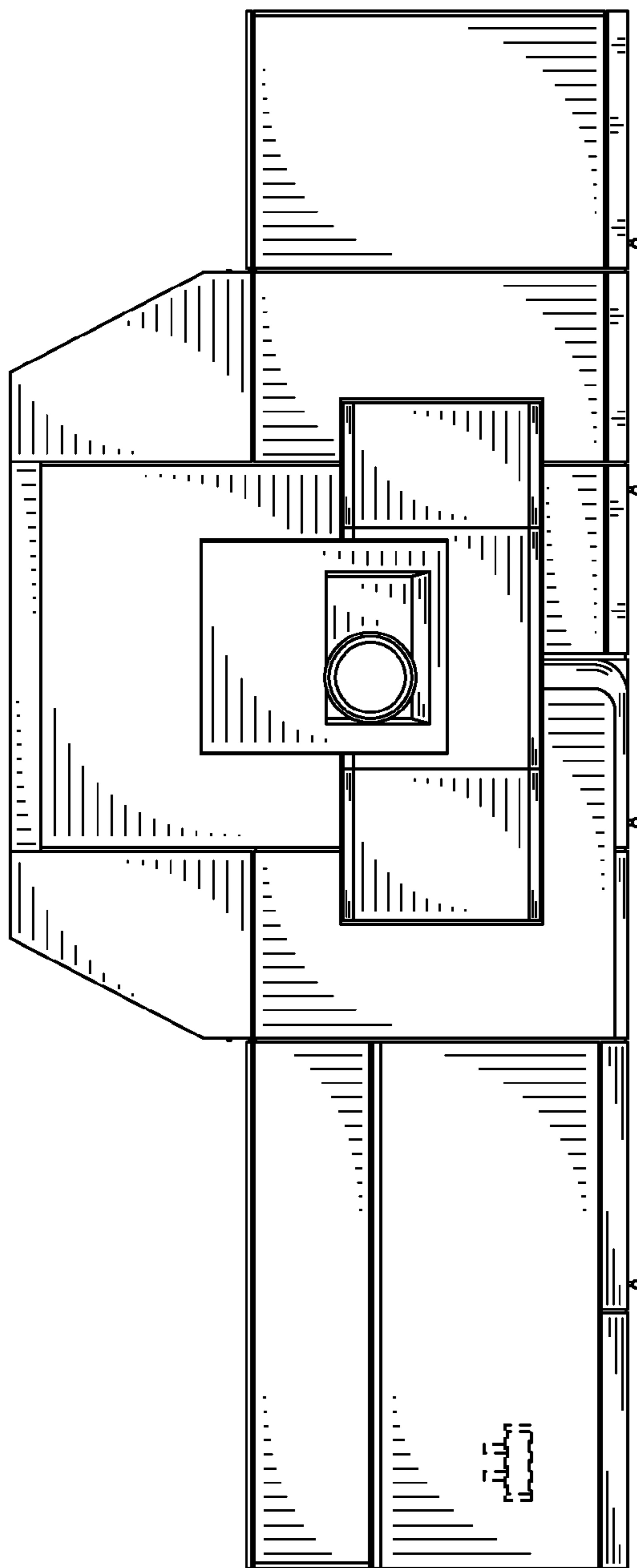


FIG. 6

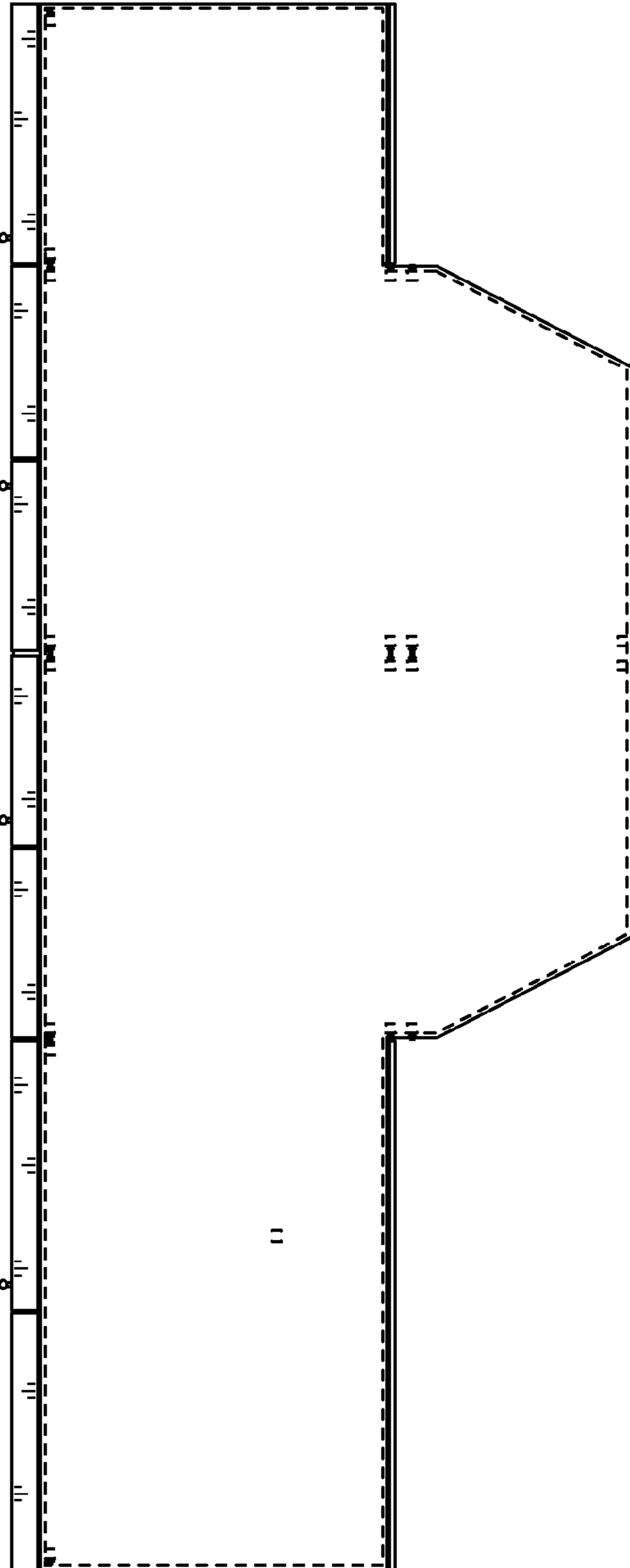


FIG. 7