



US00D666661S

(12) **United States Design Patent**
Hong et al.

(10) **Patent No.:** **US D666,661 S**

(45) **Date of Patent:** **** Sep. 4, 2012**

(54) **PROJECTOR**

(75) Inventors: **Seok-Won Hong**, Seoul (KR); **Yong-Joo Lee**, Seoul (KR)

(73) Assignee: **Samsung Electronics Co., Ltd.**,
Kyunggi-Do (KR)

(**) Term: **14 Years**

(21) Appl. No.: **29/404,256**

(22) Filed: **Oct. 18, 2011**

(30) **Foreign Application Priority Data**

Jul. 21, 2011 (KR) 30-2011-0030400

(51) **LOC (9) Cl.** **16-02**

(52) **U.S. Cl.** **D16/230; D16/225**

(58) **Field of Classification Search** D16/205,
D16/221, 225, 230-231, 234; D21/514;
353/115, 119, 122

See application file for complete search history.

(56) **References Cited**

U.S. PATENT DOCUMENTS

D397,709 S	9/1998	Park et al.	
D401,953 S	12/1998	Oh et al.	
D401,954 S	12/1998	Oh et al.	
D442,983 S	* 5/2001	Goto et al.	D16/230
D494,995 S	8/2004	Kim et al.	
D516,603 S	* 3/2006	Yeh et al.	D16/230
D523,058 S	* 6/2006	On et al.	D16/230
D531,654 S	* 11/2006	Lin et al.	D16/230
D545,339 S	* 6/2007	Naruki	D16/230
D545,865 S	* 7/2007	Azuma et al.	D16/230

D546,864 S	7/2007	Kim	
D555,185 S	* 11/2007	Nozue et al.	D16/230
D557,316 S	12/2007	Bang et al.	
D581,963 S	12/2008	Kang et al.	
D584,327 S	1/2009	Kang et al.	
D600,735 S	* 9/2009	Chigira et al.	D16/225
D602,513 S	10/2009	Kim et al.	
D610,187 S	2/2010	Kim et al.	
D616,010 S	5/2010	Song et al.	
D631,080 S	1/2011	Han	
D631,904 S	2/2011	Kim et al.	
D633,125 S	2/2011	Han	
8,104,902 B2	* 1/2012	Mao et al.	353/119

* cited by examiner

Primary Examiner — Wan Laymon

(74) *Attorney, Agent, or Firm* — Flynn, Thiel, Boutell & Tanis, P.C.

(57) **CLAIM**

The ornamental design for a projector, as shown and described.

DESCRIPTION

FIG. 1 is a top front perspective view of a projector showing our new design;

FIG. 2 is a front elevational view thereof;

FIG. 3 is a rear elevational view thereof;

FIG. 4 is a left side elevational view thereof;

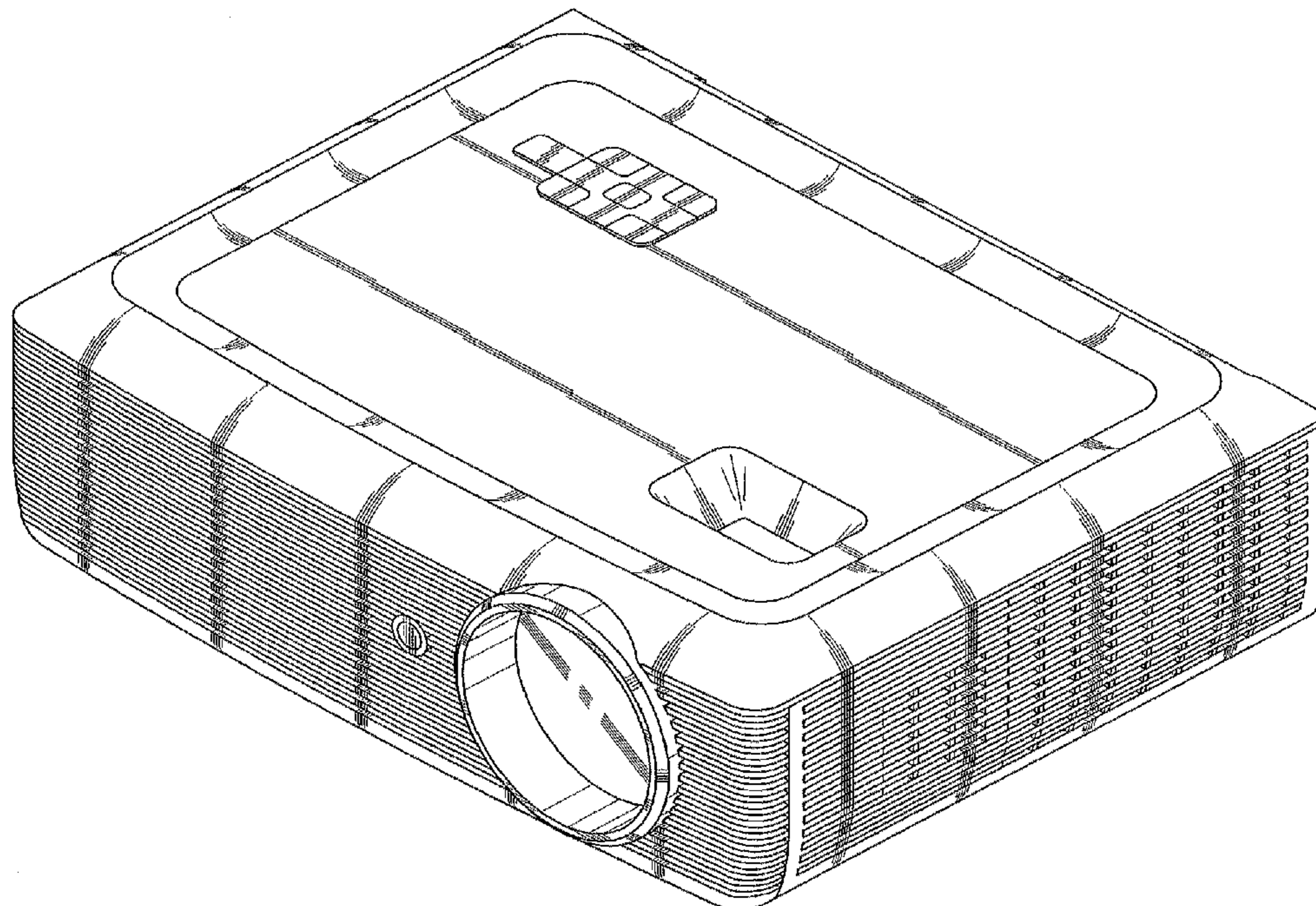
FIG. 5 is a right side elevational view thereof;

FIG. 6 is a top plan view thereof; and,

FIG. 7 is a bottom plan view thereof.

The broken lines shown in FIGS. 3 and 6 represent portions of the projector that form no part of the claimed design.

1 Claim, 5 Drawing Sheets



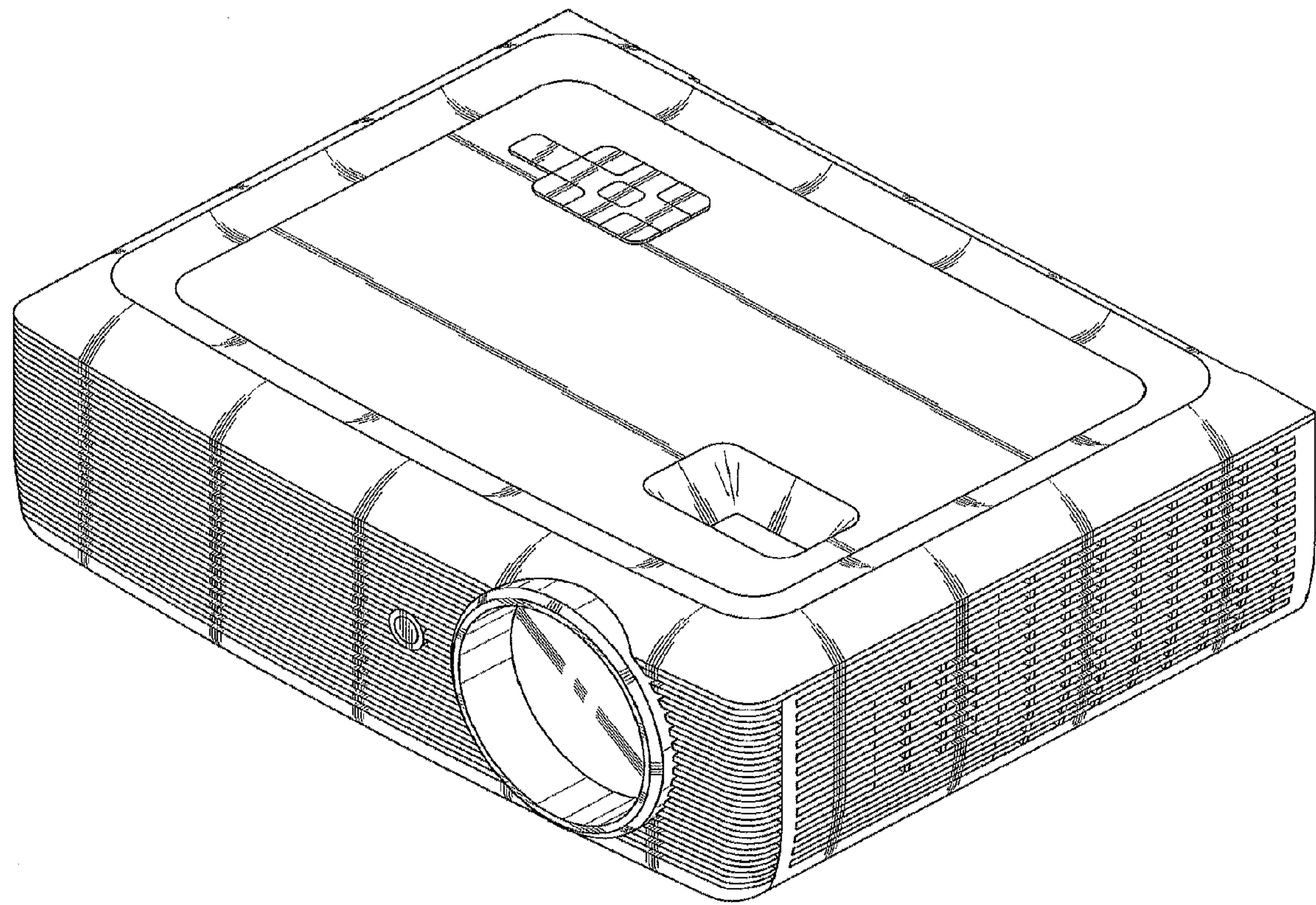


FIG.1

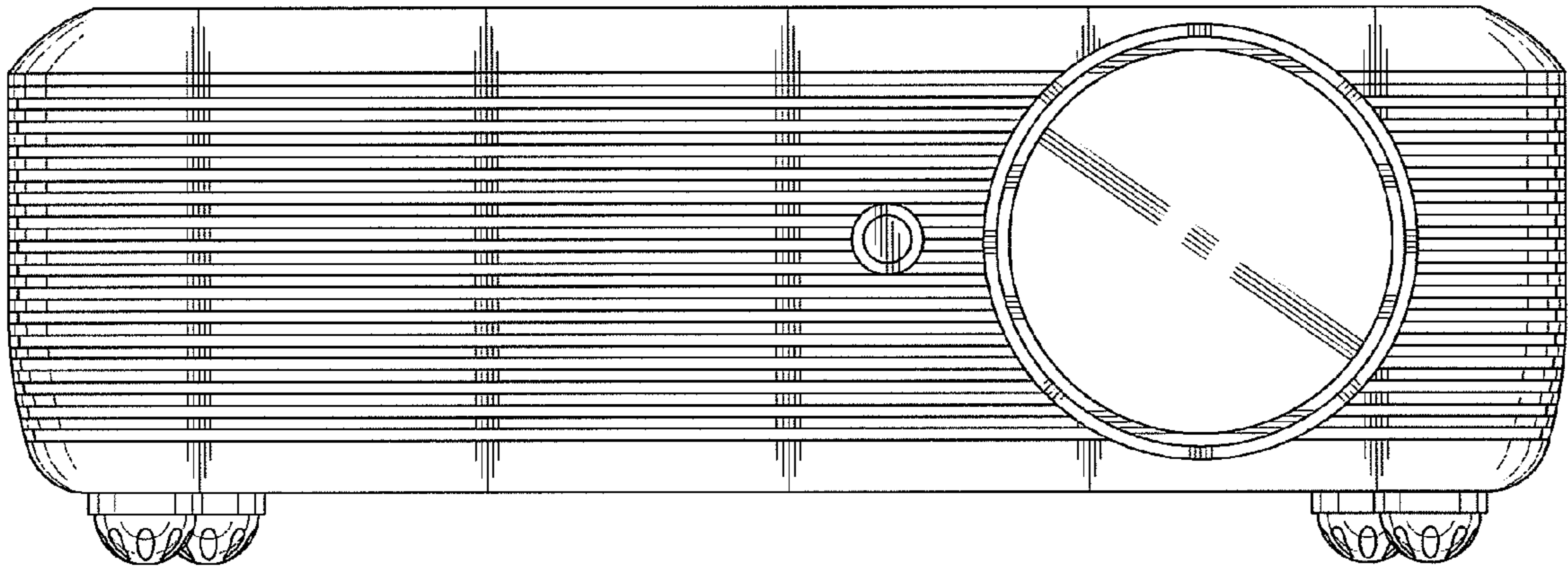


FIG.2

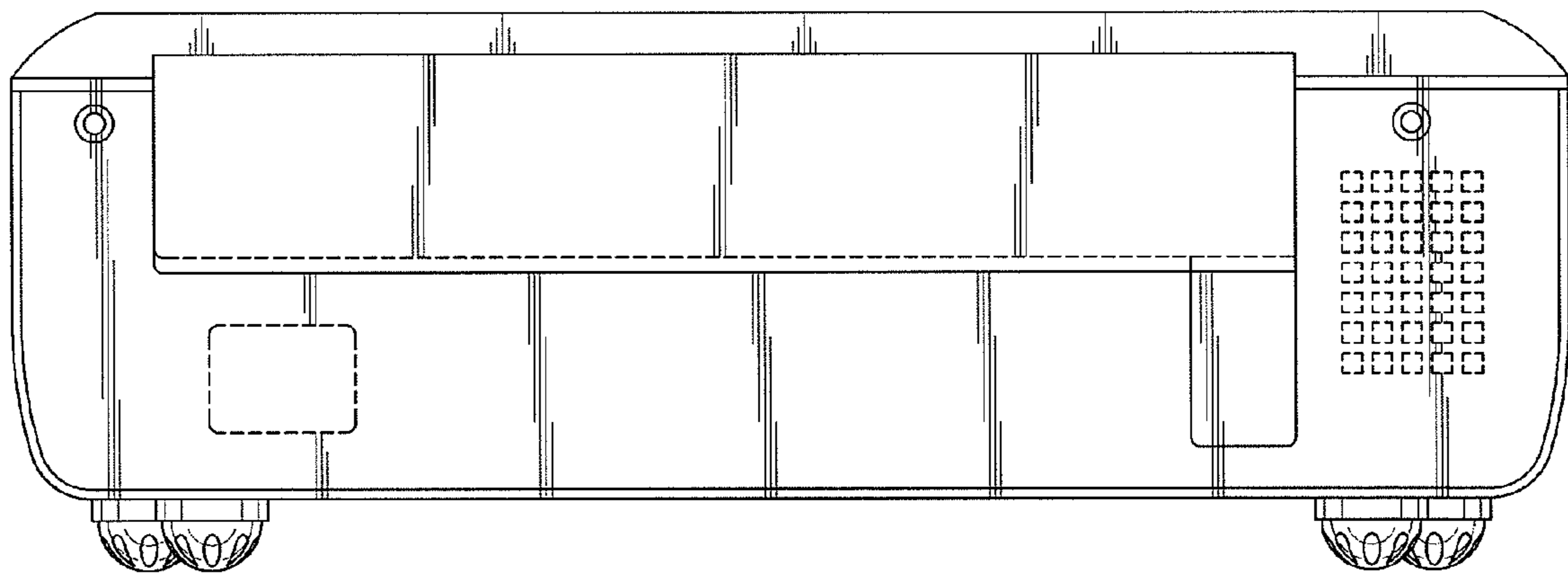


FIG.3

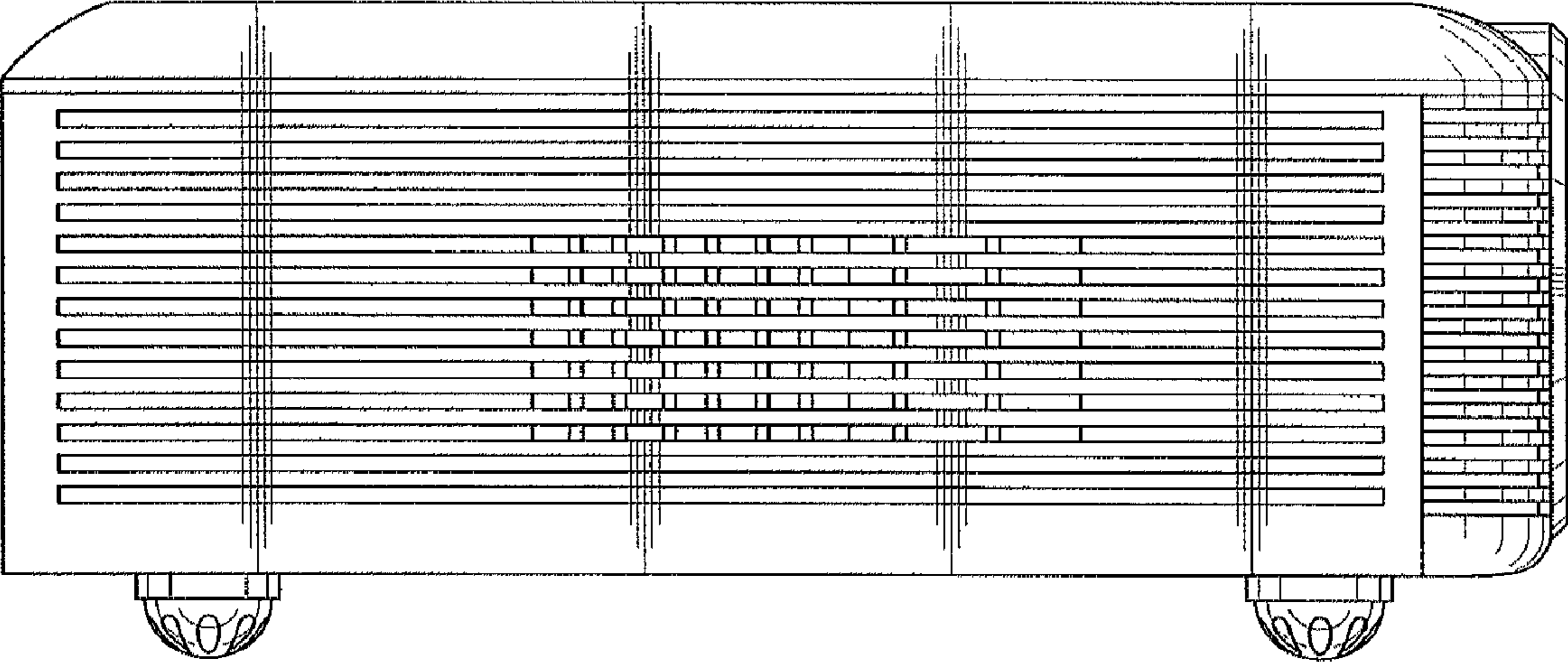


FIG.4

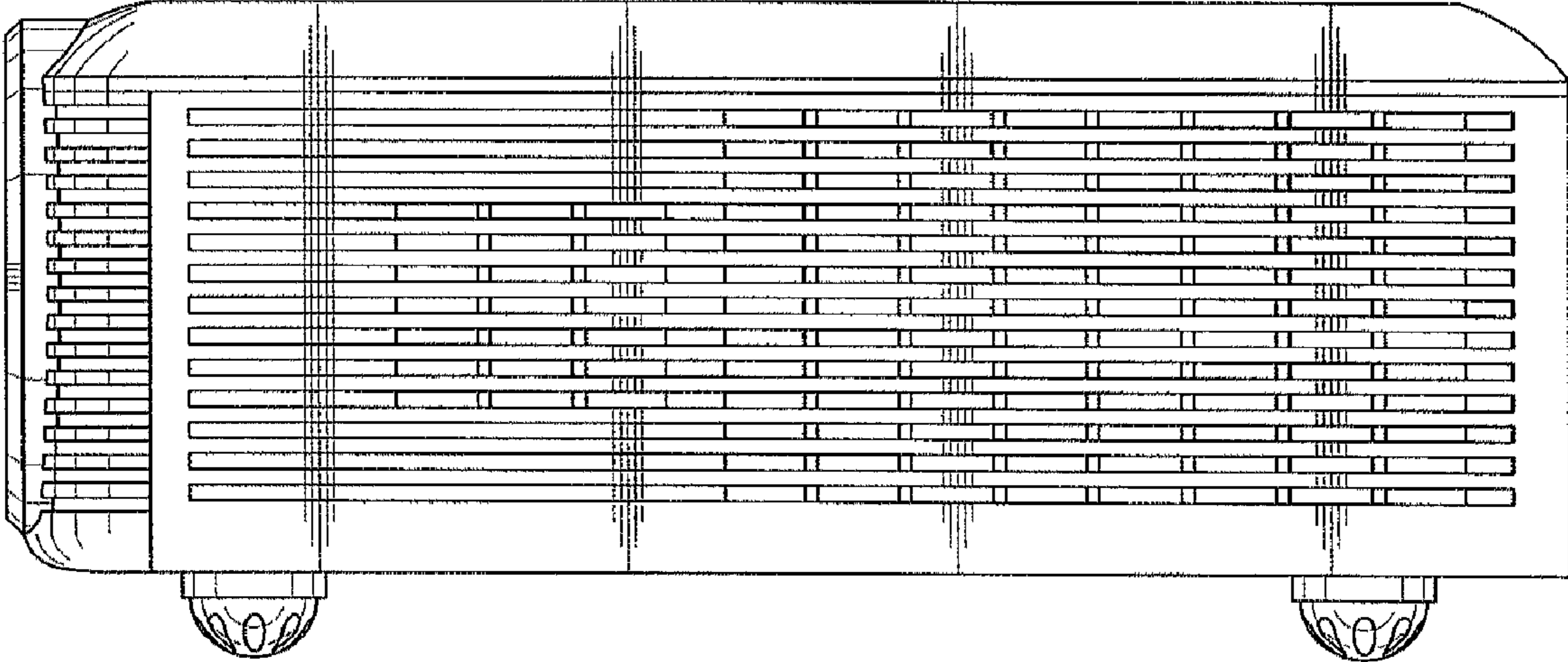


FIG.5

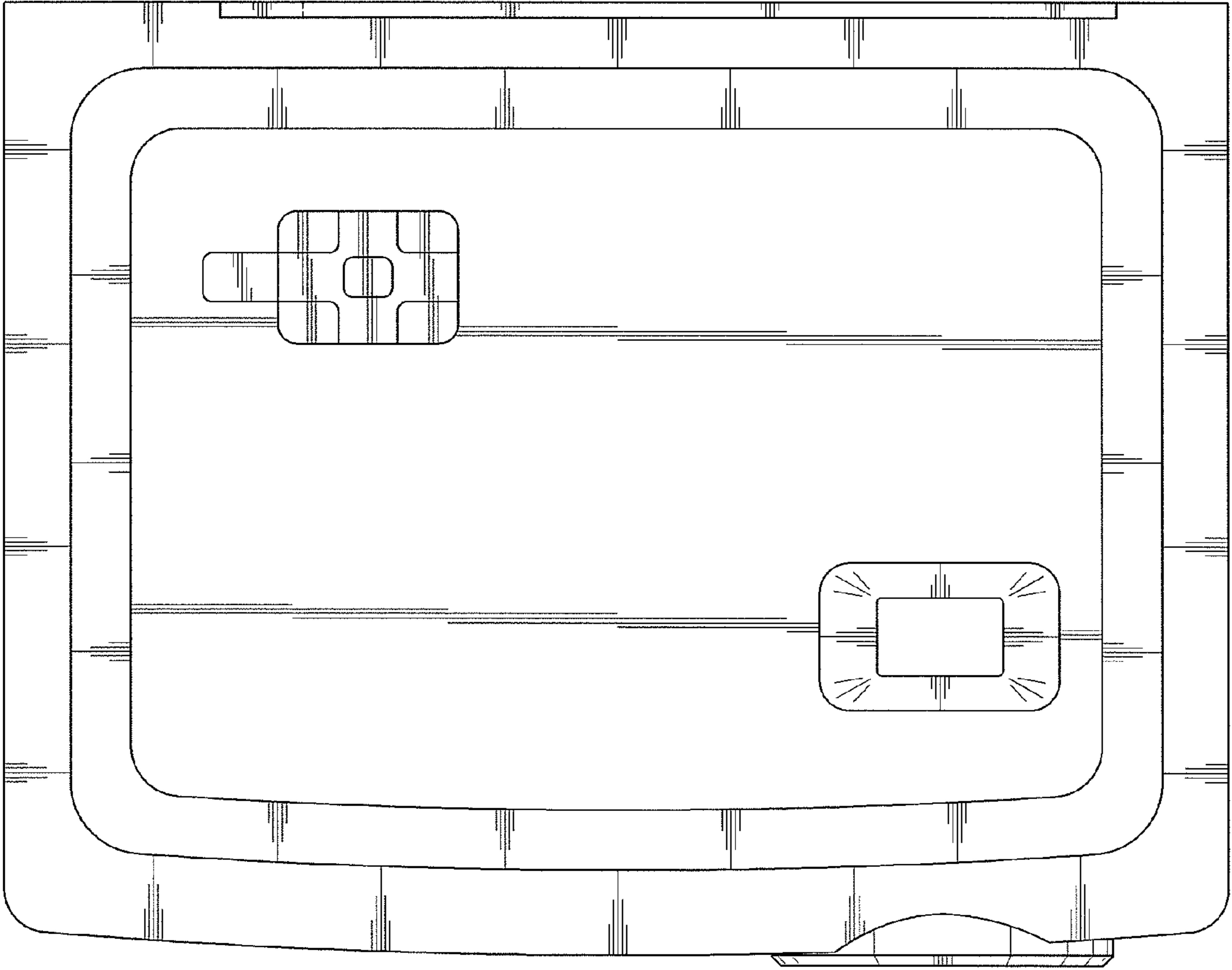


FIG.6

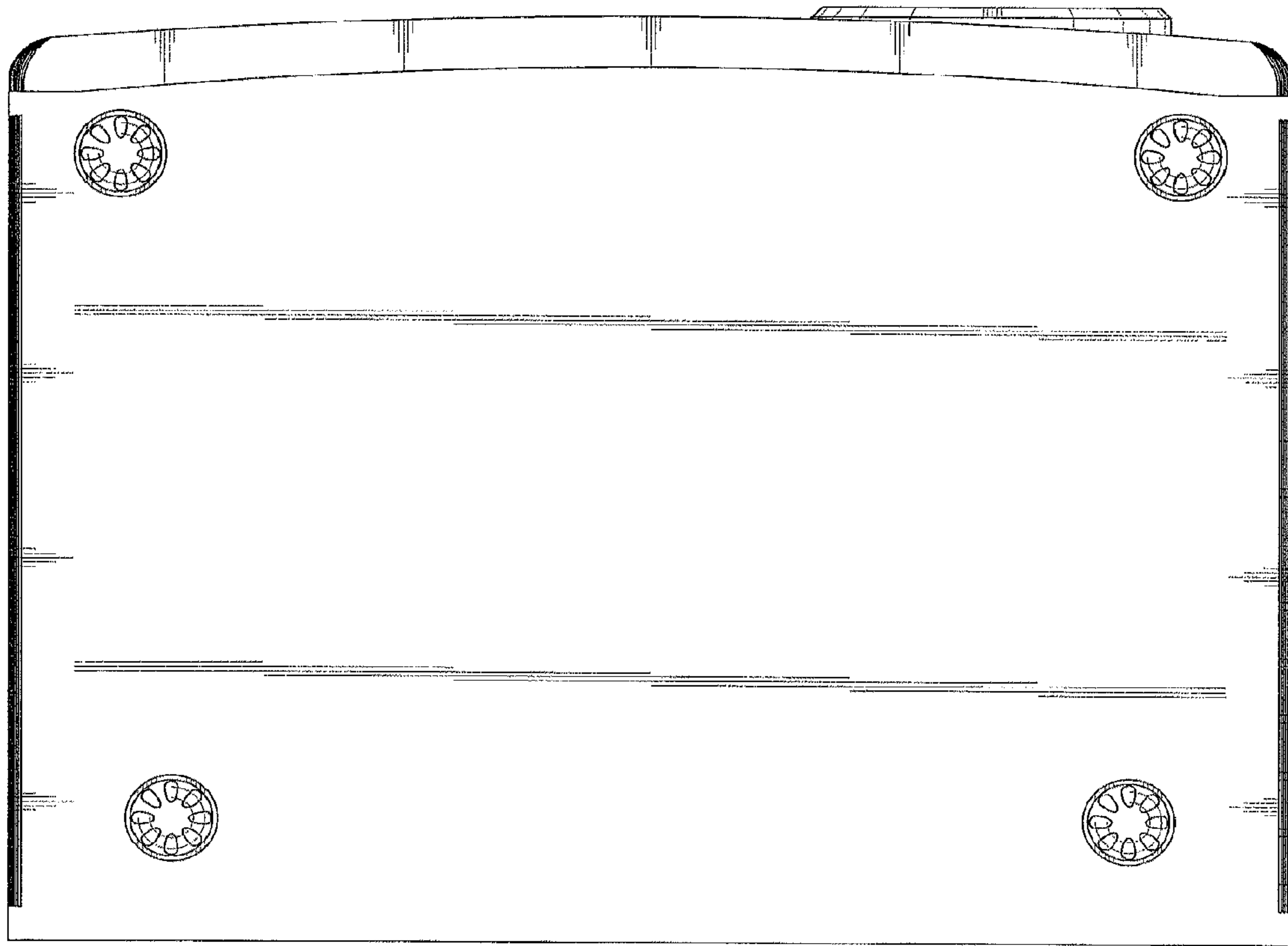


FIG.7