

US00D666659S

(12) **United States Design Patent**  
**Furlan et al.**

(10) **Patent No.:** **US D666,659 S**  
(45) **Date of Patent:** **\*\* Sep. 4, 2012**

(54) **DIGITAL VIDEO CAMERA**

(75) Inventors: **John Furlan**, Belmont, CA (US);  
**Jonathan Kaplan**, San Francisco, CA  
(US); **Ariel Braunstein**, San Francisco,  
CA (US); **Richard Tobias Inman**, San  
Francisco, CA (US); **Elizabeth A.**  
**Cleary**, San Francisco, CA (US);  
**Montfort De Lattre**, San Francisco, CA  
(US); **Mark Manuel Martinez**, San  
Francisco, CA (US); **Jens Nielsen**, San  
Francisco, CA (US); **Karim S.**  
**El-Katcha**, San Francisco, CA (US);  
**Maarten Dinger**, San Francisco, CA  
(US); **Nasahn Adam Sheppard**, Mill  
Valley, CA (US)

(73) Assignee: **CISCO TECHNOLOGY, Inc.**, San  
Jose, CA (US)

(\*\*) Term: **14 Years**

(21) Appl. No.: **29/368,752**

(22) Filed: **Aug. 27, 2010**

(51) **LOC (9) Cl.** ..... **16-01**

(52) **U.S. Cl.** ..... **D16/202**

(58) **Field of Classification Search** ..... D16/200–204,  
D16/208, 218, 219; 348/373–376; 358/909.1;  
396/535–541

See application file for complete search history.

(56) **References Cited**

U.S. PATENT DOCUMENTS

D591,321	S	*	4/2009	Sheppard et al.	.....	D16/202
D611,975	S	*	3/2010	Sasaki	.....	D16/202
D617,821	S	*	6/2010	Kaplan et al.	.....	D16/202
D627,380	S	*	11/2010	Sheppard et al.	.....	D16/202
D631,902	S	*	2/2011	Dinger et al.	.....	D16/202
D632,324	S	*	2/2011	Dinger et al.	.....	D16/202
7,893,990	B1	*	2/2011	Kaplan et al.	.....	348/373
D633,930	S	*	3/2011	Dinger et al.	.....	D16/202

\* cited by examiner

*Primary Examiner* — Adir Aronovich

(74) *Attorney, Agent, or Firm* — Patterson & Sheridan, LLP

(57) **CLAIM**

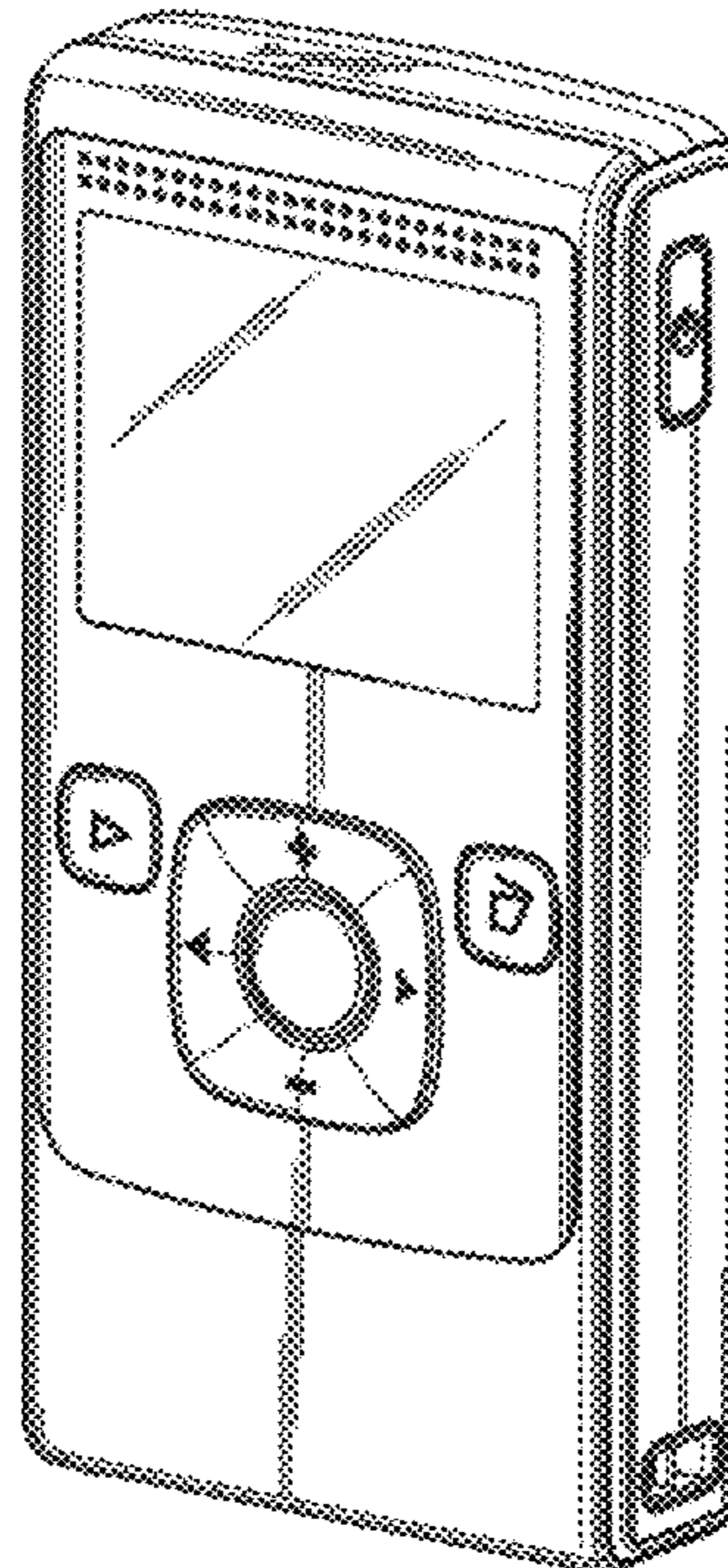
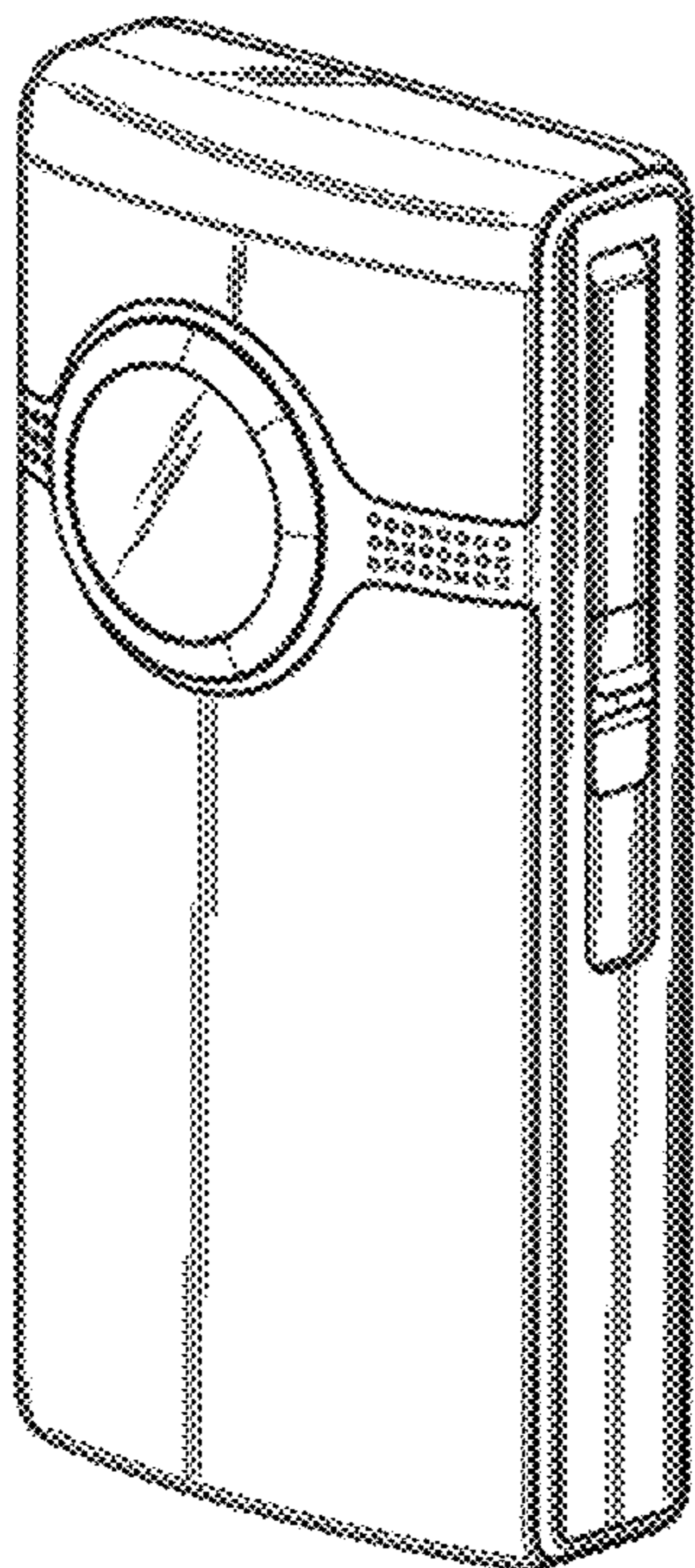
The ornamental design for a digital video camera, as shown and described.

**DESCRIPTION**

FIG. 1 is a front and left side perspective view of a digital video camera showing our new design;  
FIG. 2 is a rear and right side perspective view thereof;  
FIG. 3 is a front elevational view thereof;  
FIG. 4 is a right side elevational view thereof;  
FIG. 5 is a left side elevational view thereof;  
FIG. 6 is a top plan view thereof;  
FIG. 7 is a bottom plan view thereof; and,  
FIG. 8 is a rear elevational view thereof.

The portions of the camera shown in broken lines in FIG. 7 are for illustrative purposes only and form no part of the claimed design.

**1 Claim, 6 Drawing Sheets**



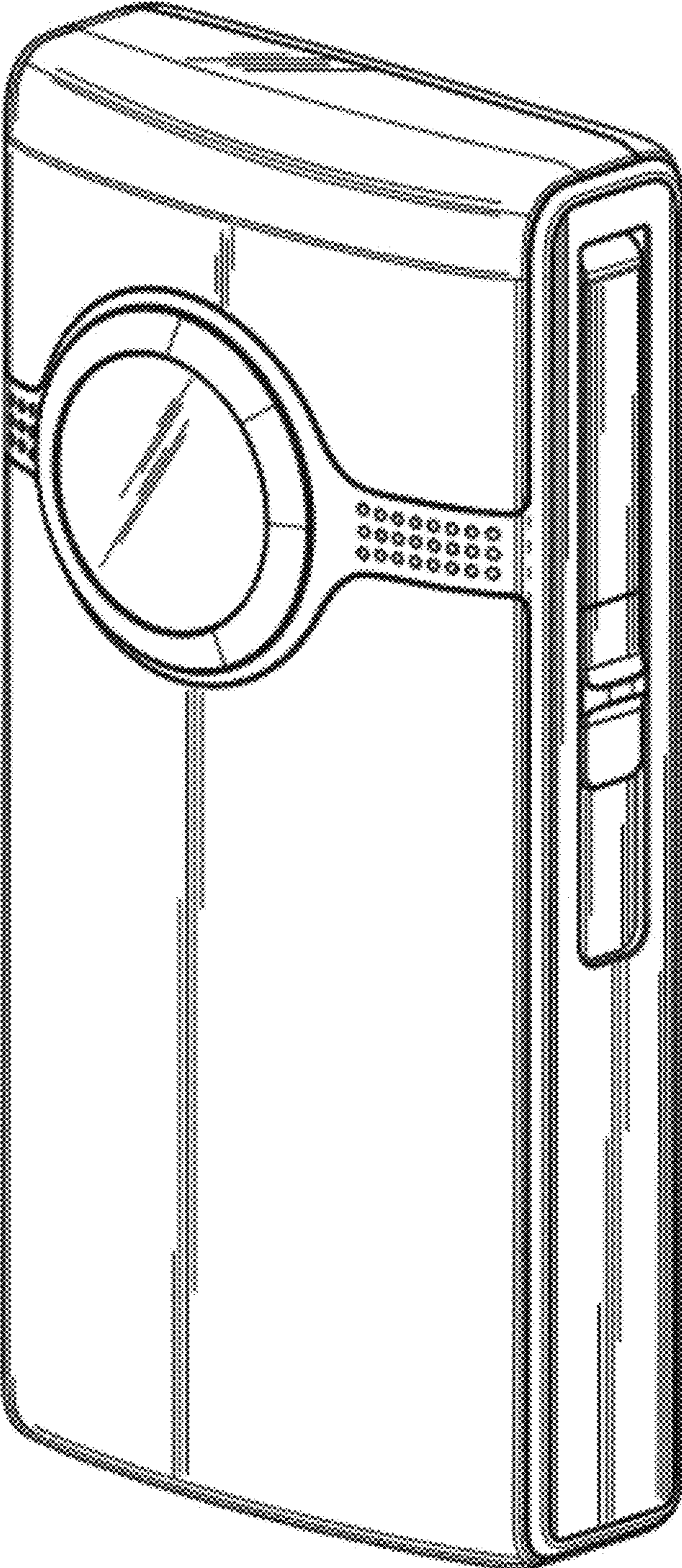


FIG. 1

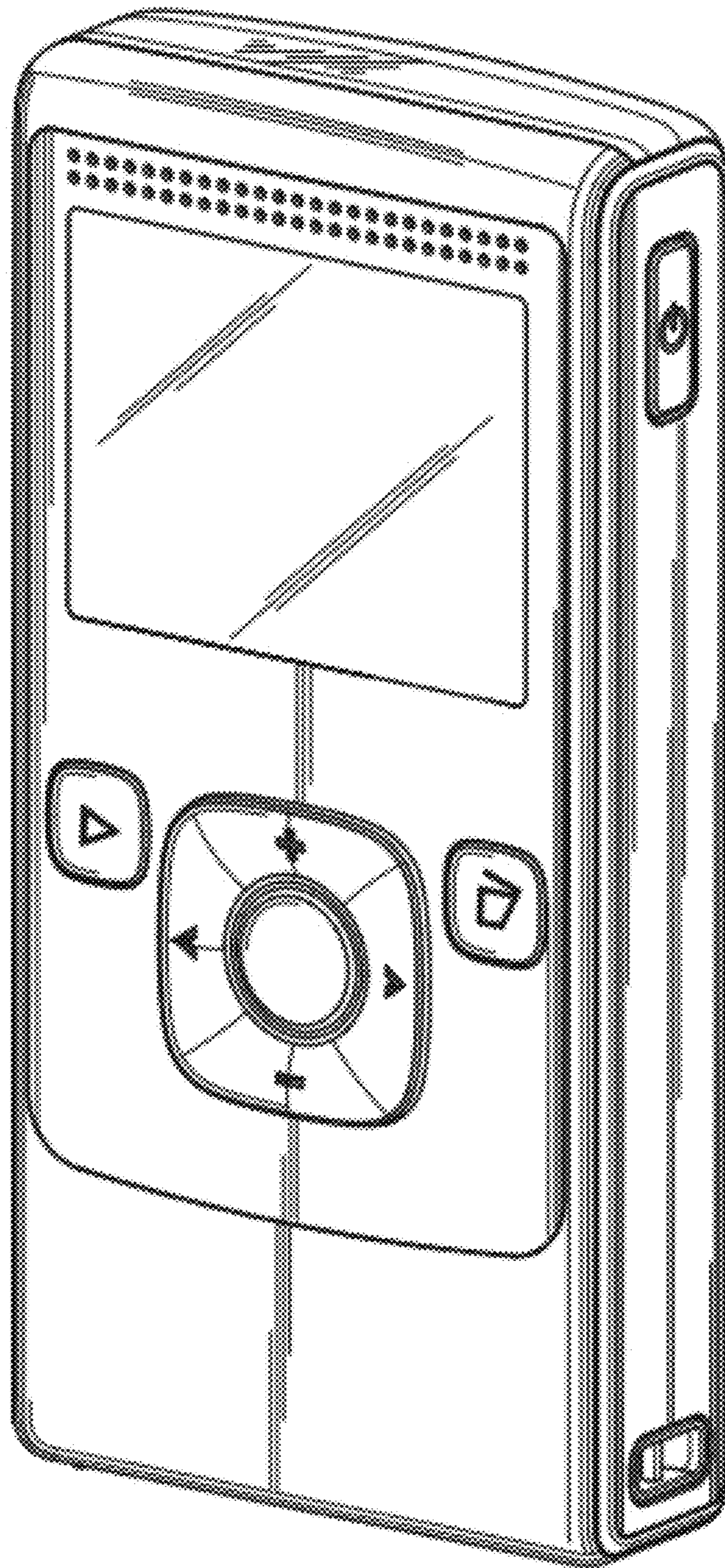


FIG.2

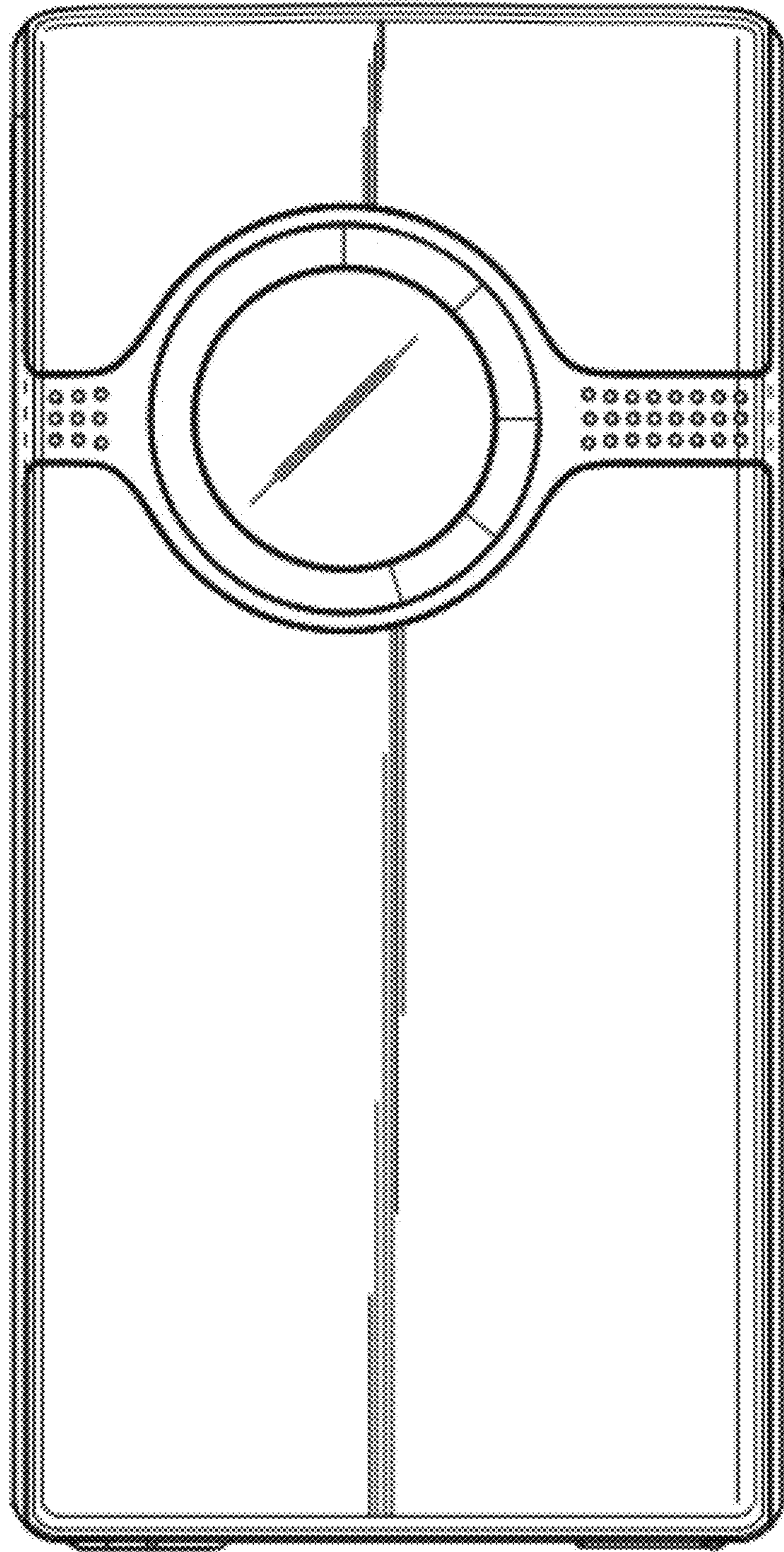


FIG. 3

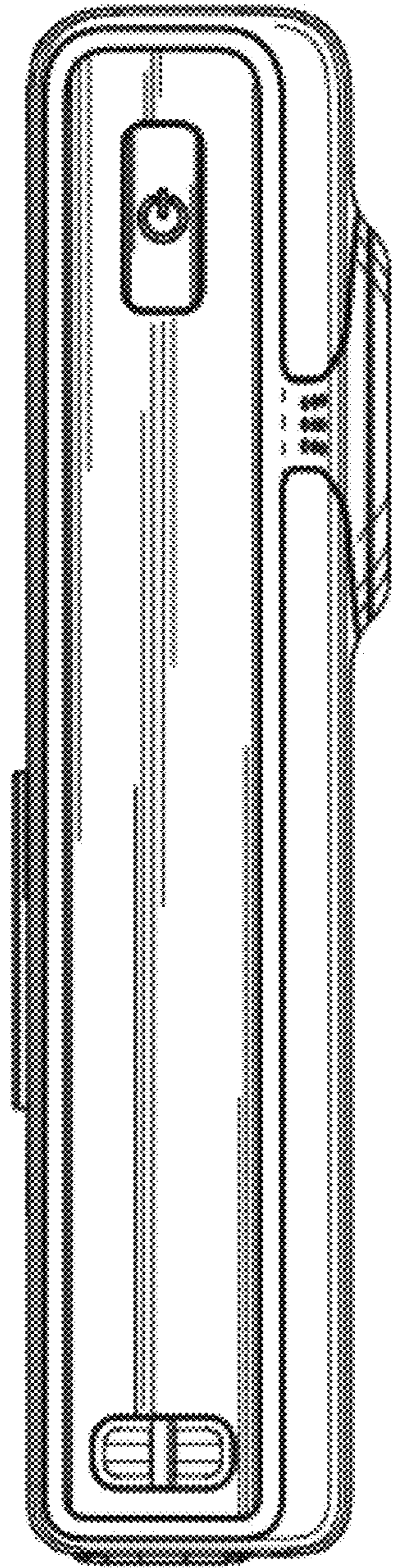


FIG. 4

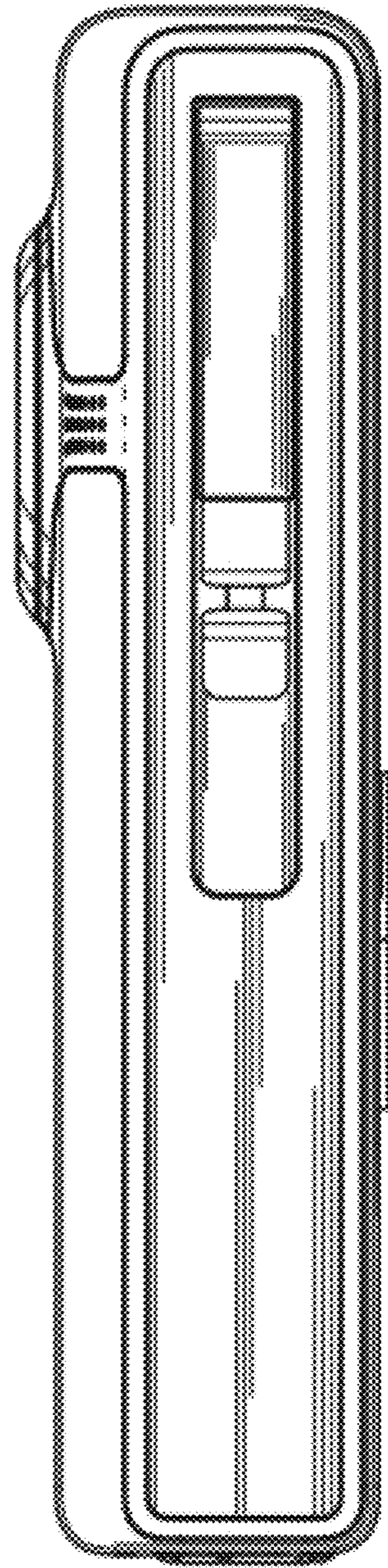


FIG. 5

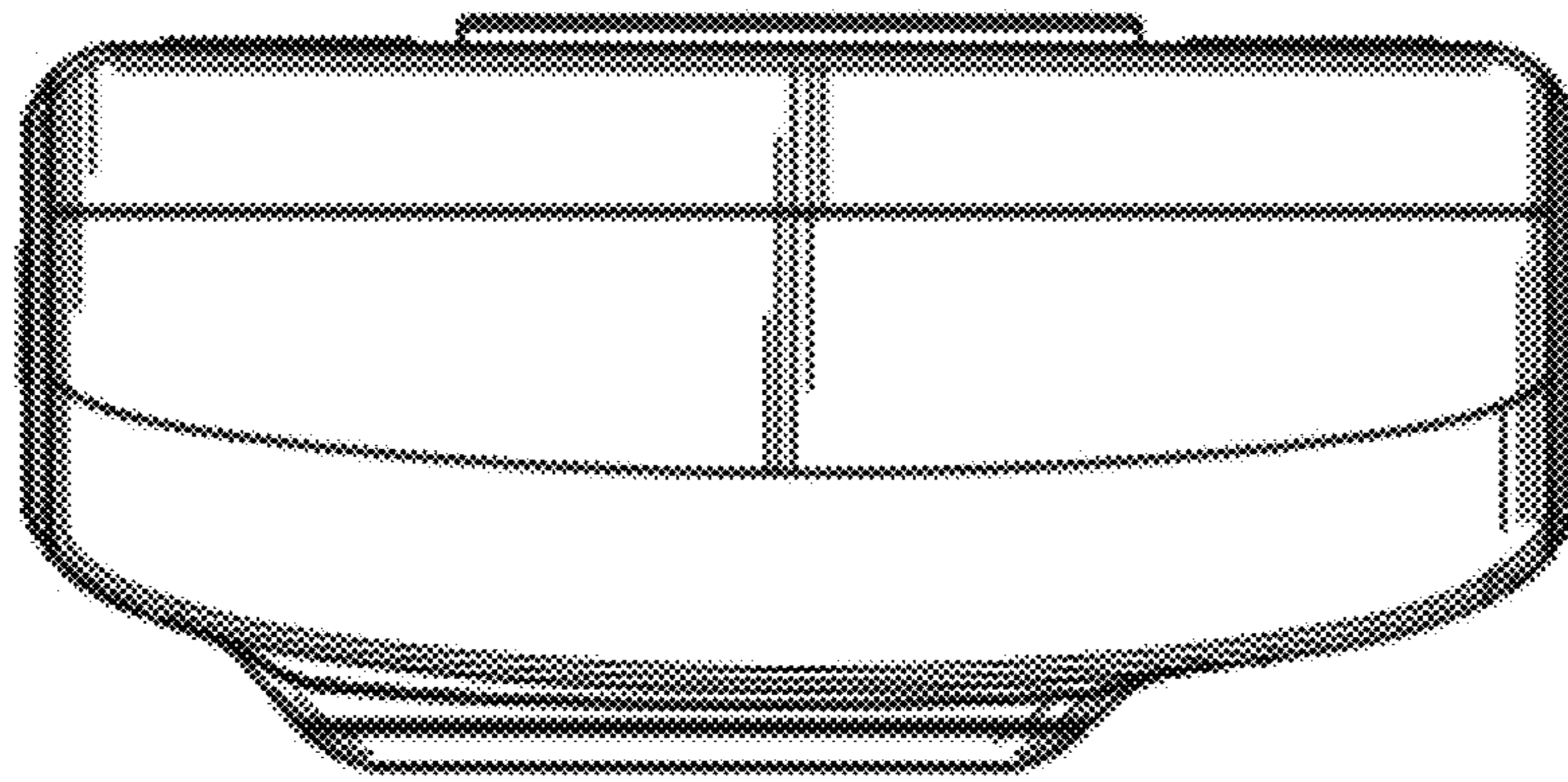


FIG. 6

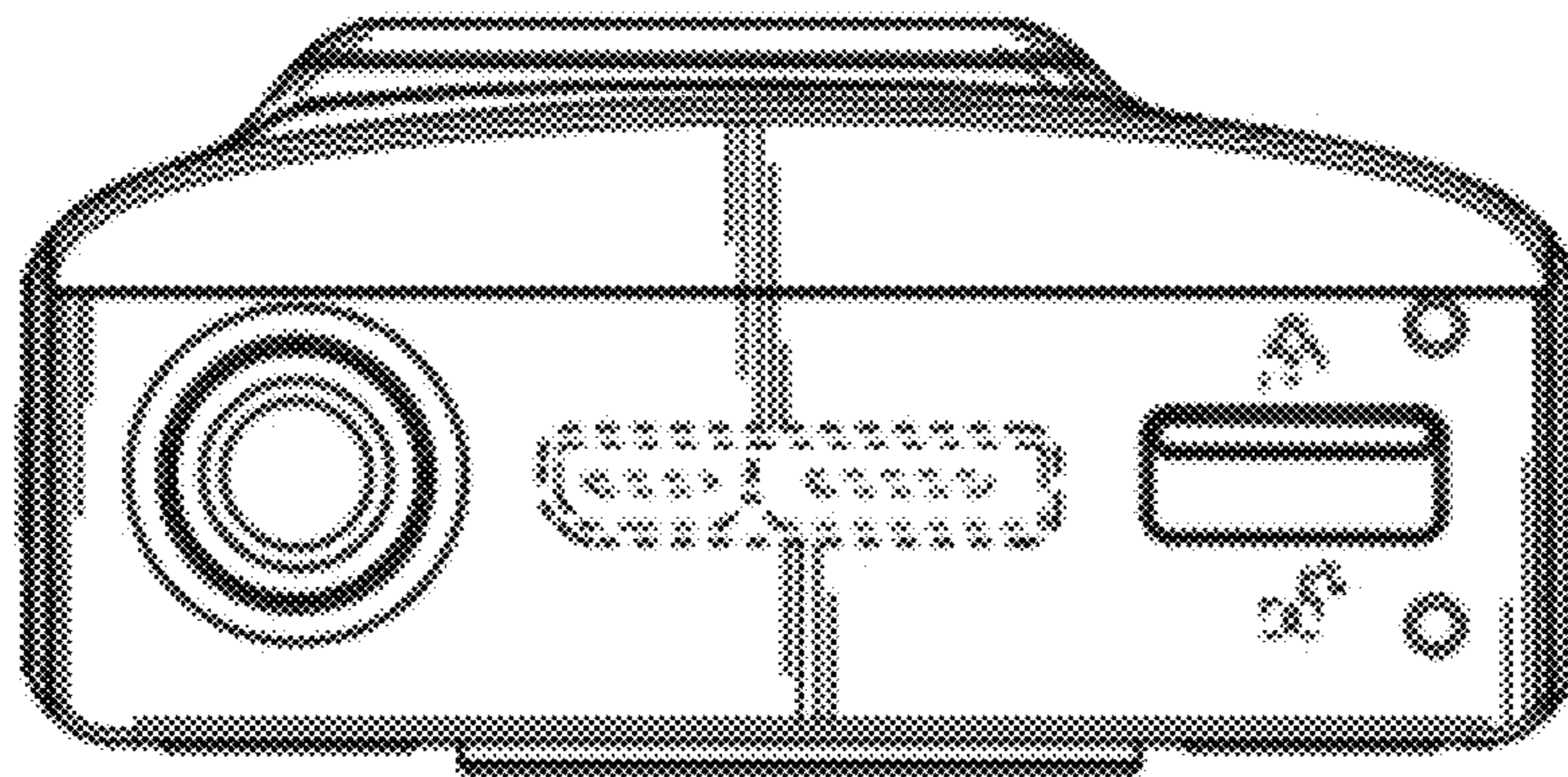


FIG. 7

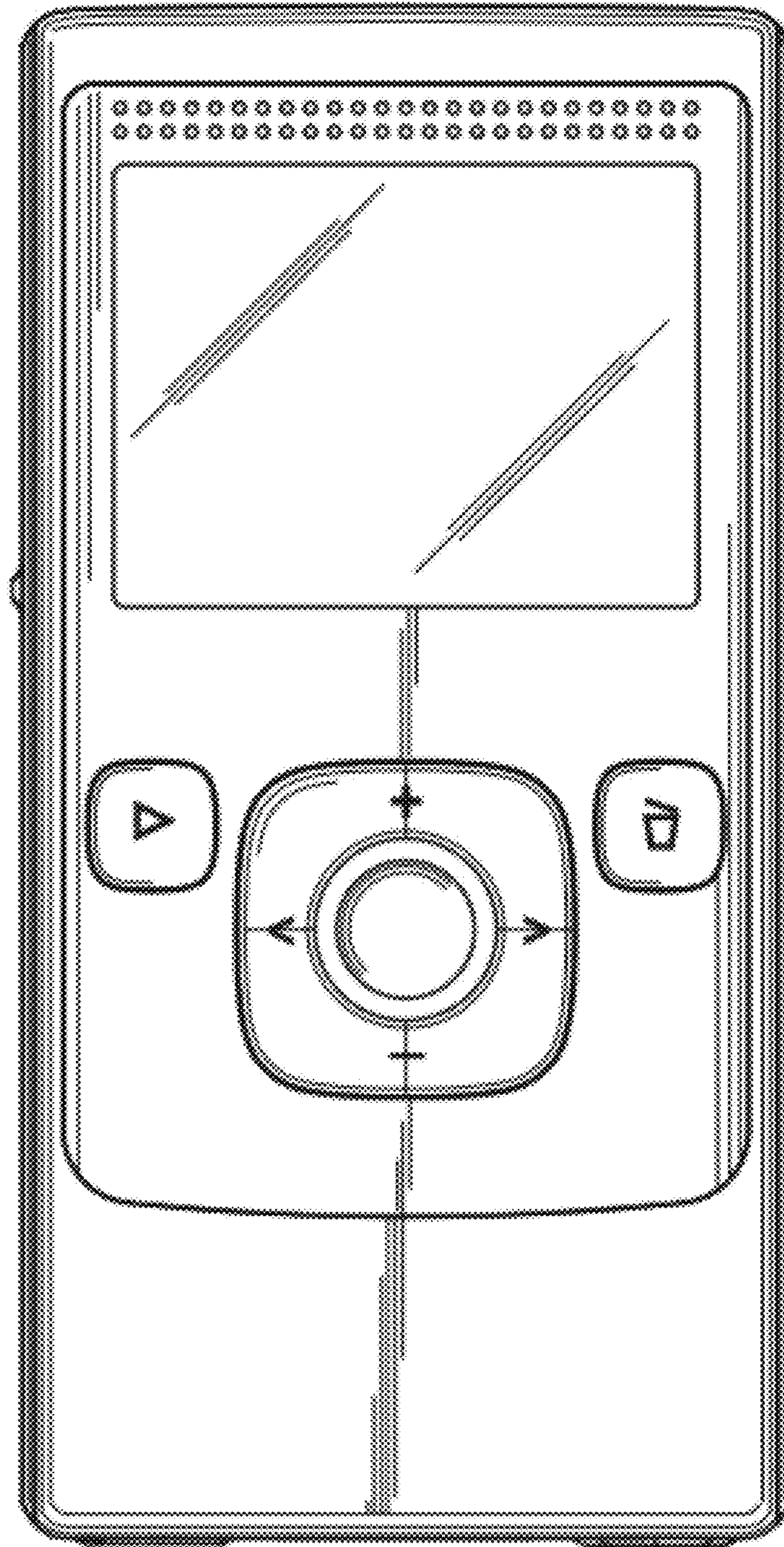


FIG. 8