



US00D666658S

(12) **United States Design Patent**
Furlan et al.

(10) **Patent No.:** **US D666,658 S**
(45) **Date of Patent:** **** Sep. 4, 2012**

(54) **DIGITAL VIDEO CAMERA**

(75) Inventors: **John Furlan**, Belmont, CA (US);
Richard Tobais Inman, San Francisco,
CA (US); **Elizabeth A. Cleary**, San
Francisco, CA (US); **Mark Manuel**
Martinez, San Francisco, CA (US); **Jake**
Lin, San Jose, CA (US); **Maarten**
Dinger, San Francisco, CA (US);
Shannon Fong, San Francisco, CA
(US); **Dominik Langhammer**, San
Francisco, CA (US); **Nasahn Adam**
Sheppard, Mill Valley, CA (US)

(73) Assignee: **Cisco Technology, Inc.**, San Jose, CA
(US)

(**) Term: **14 Years**

(21) Appl. No.: **29/368,750**

(22) Filed: **Aug. 27, 2010**

(51) **LOC (9) Cl.** **16-01**

(52) **U.S. Cl.** **D16/202**

(58) **Field of Classification Search** D16/200–204,
D16/208, 218, 219; 348/373–376; 358/909.1;
396/535–541

See application file for complete search history.

(56) **References Cited**

U.S. PATENT DOCUMENTS

D591,321	S	*	4/2009	Sheppard et al.	D16/202
D611,975	S	*	3/2010	Sasaki	D16/202
D617,821	S	*	6/2010	Kaplan et al.	D16/202
D627,380	S	*	11/2010	Sheppard et al.	D16/202
D631,902	S	*	2/2011	Dinger et al.	D16/202
D632,324	S	*	2/2011	Dinger et al.	D16/202
7,893,990	B1	*	2/2011	Kaplan et al.	348/373
D633,930	S	*	3/2011	Dinger et al.	D16/202

* cited by examiner

Primary Examiner — Adir Aronovich

(74) *Attorney, Agent, or Firm* — Patterson & Sheridan, LLP

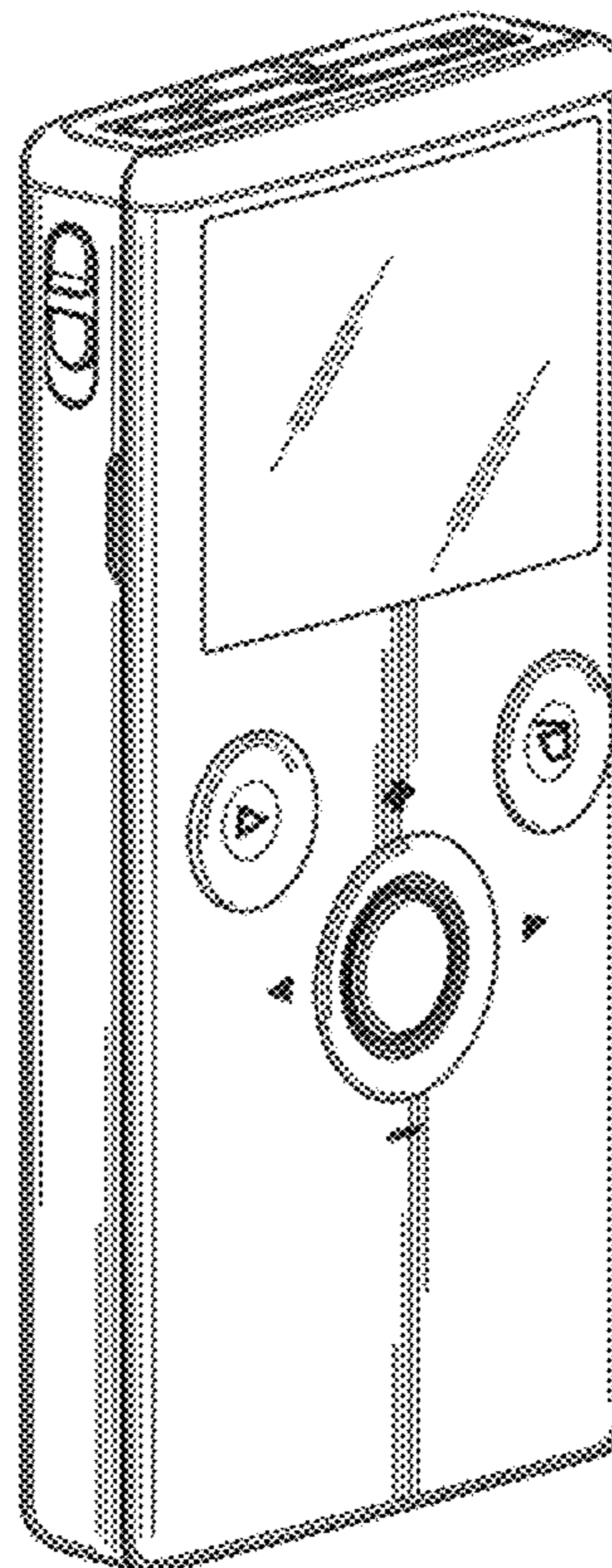
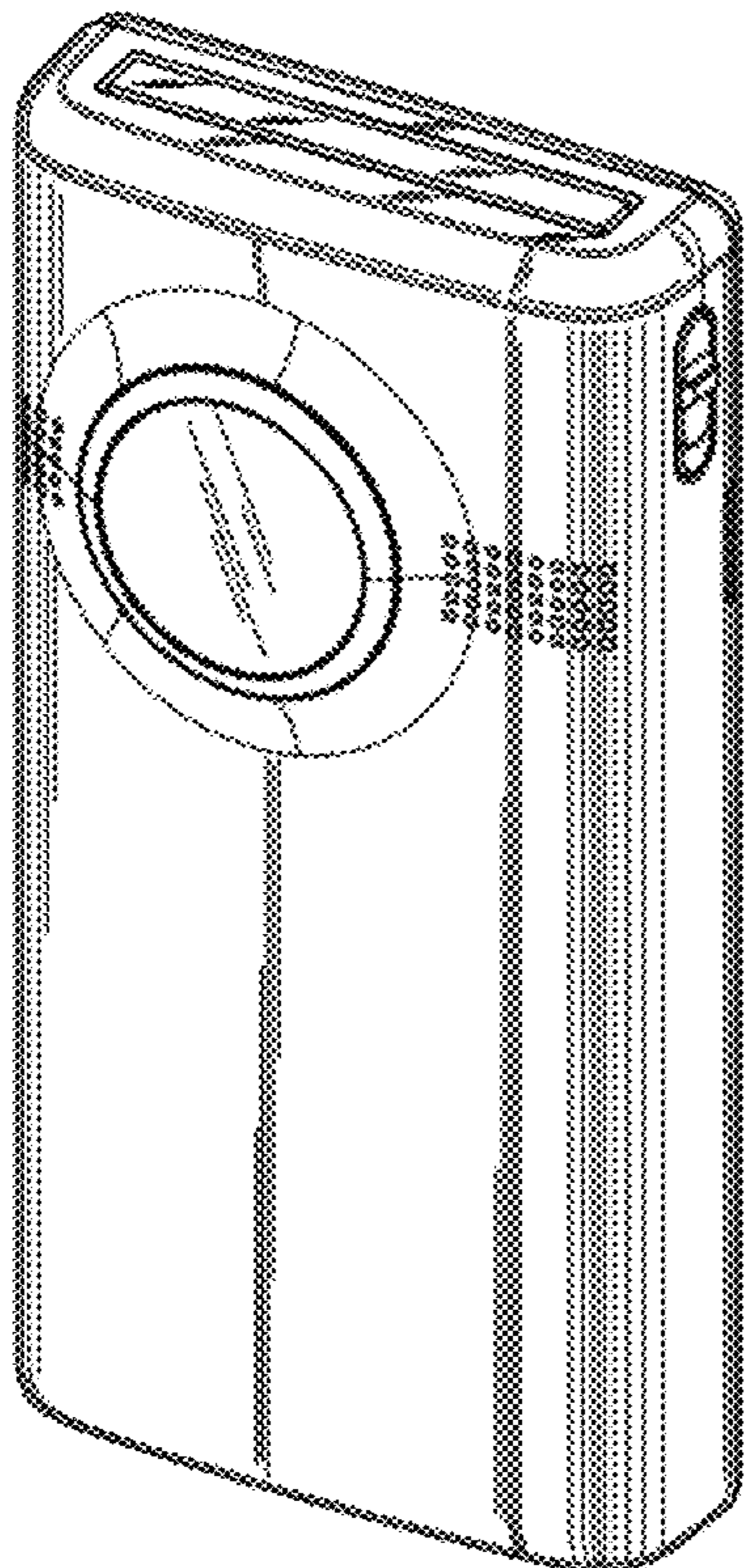
(57) **CLAIM**

The ornamental design for a digital video camera, as shown and described.

DESCRIPTION

FIG. 1 is a top, front and left side perspective view of a digital video camera showing our new design;
FIG. 2 is a rear and left side perspective view thereof;
FIG. 3 is a rear elevational view thereof;
FIG. 4 is a left side elevational view thereof;
FIG. 5 is a right side elevational view thereof;
FIG. 6 is a top plan view thereof;
FIG. 7 is a bottom plan view thereof; and,
FIG. 8 is a front elevational view thereof.

1 Claim, 6 Drawing Sheets



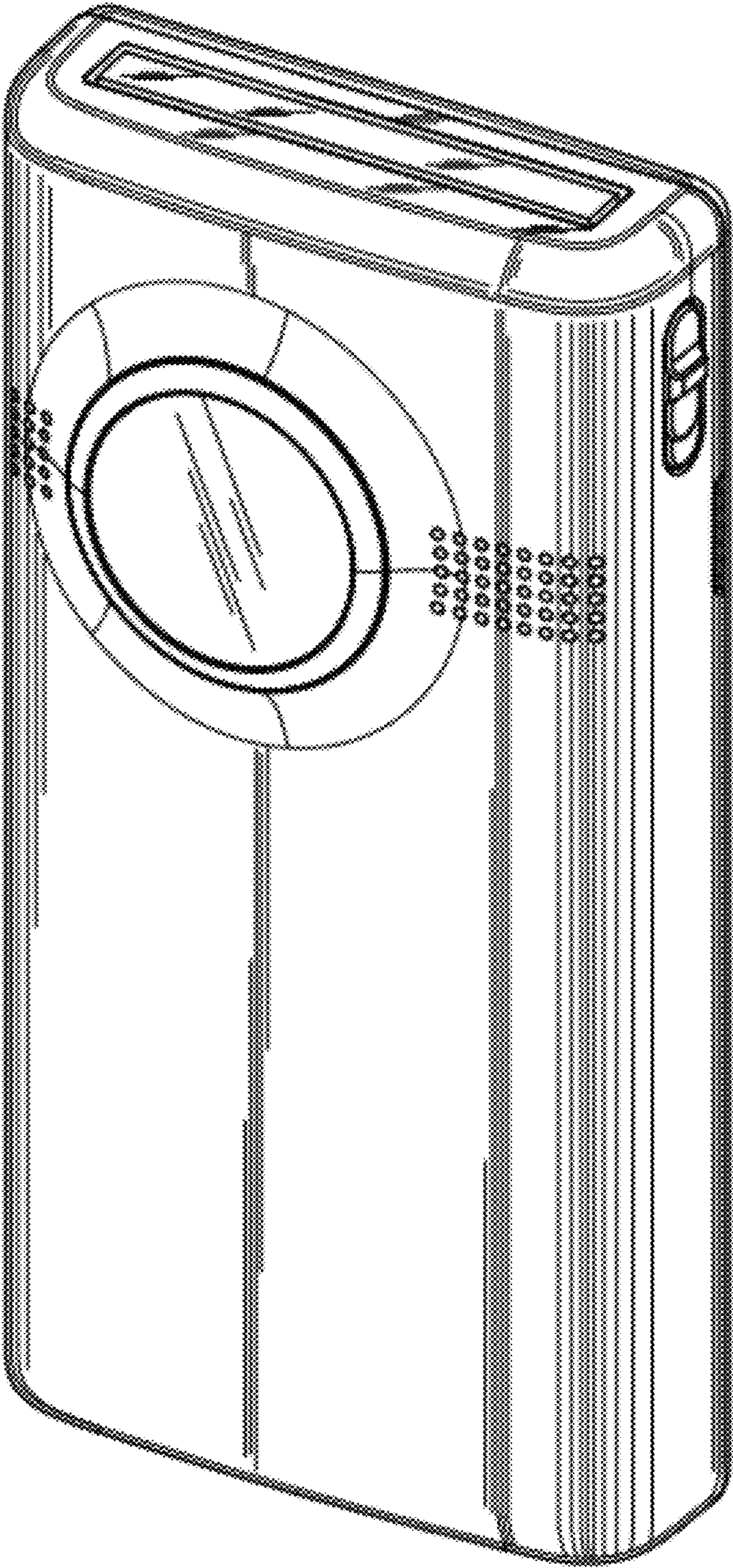


FIG. 1

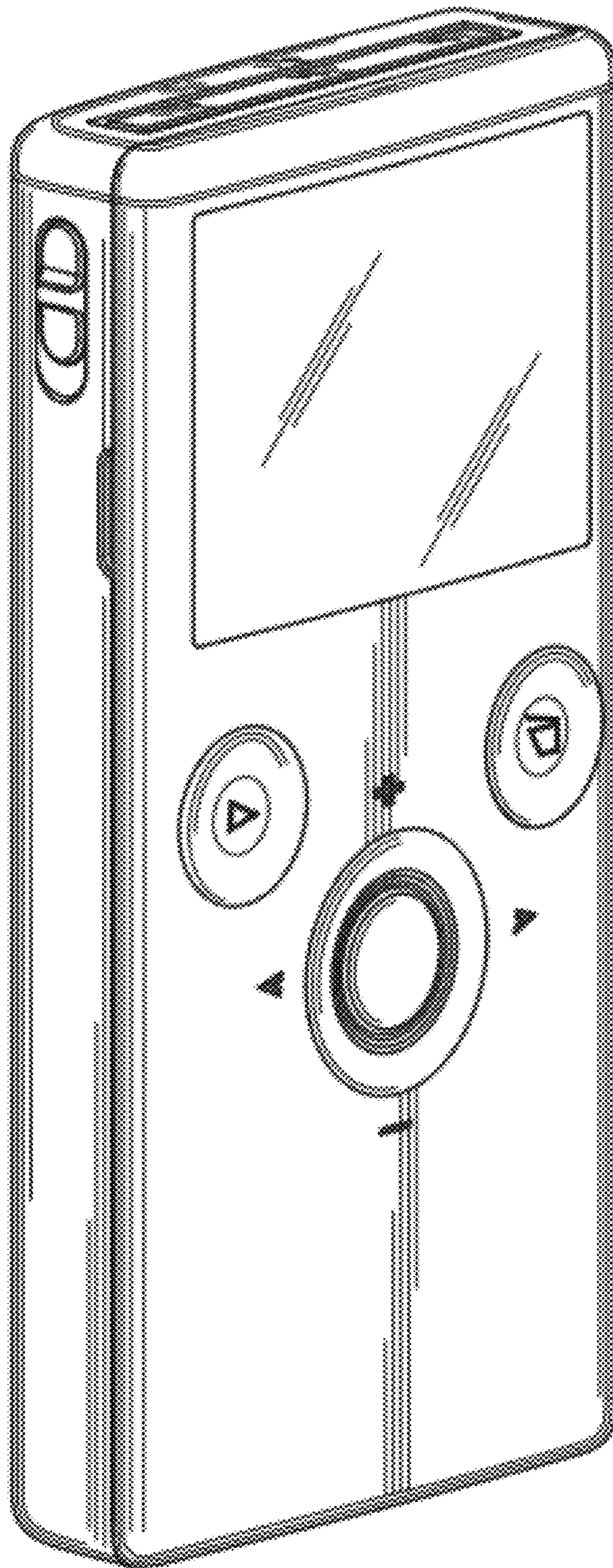


FIG.2

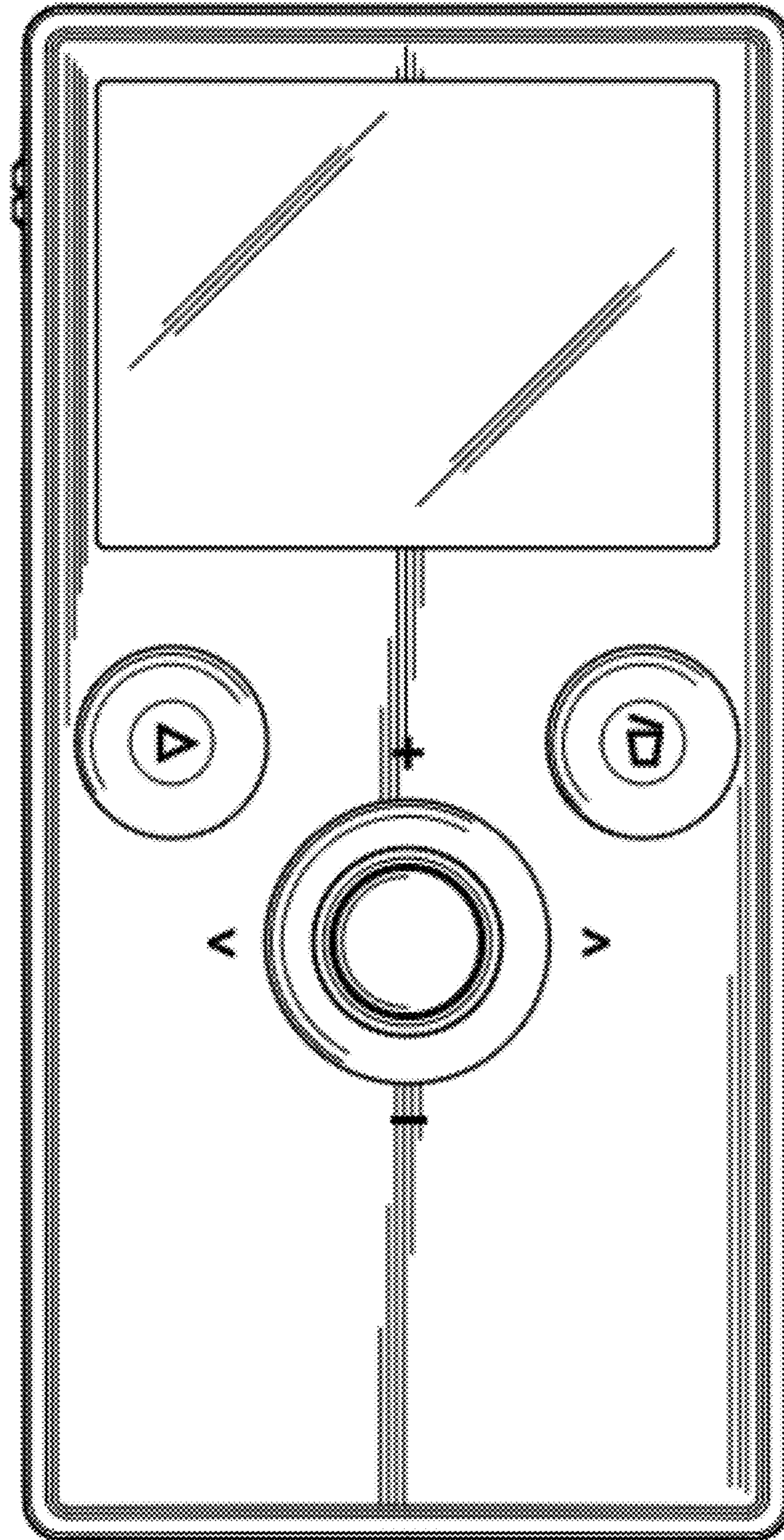


FIG. 3

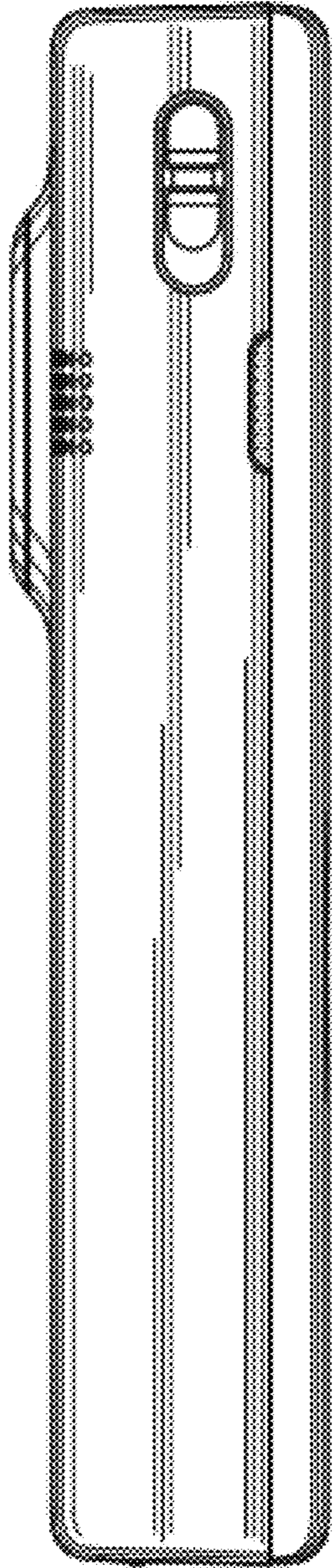


FIG. 4

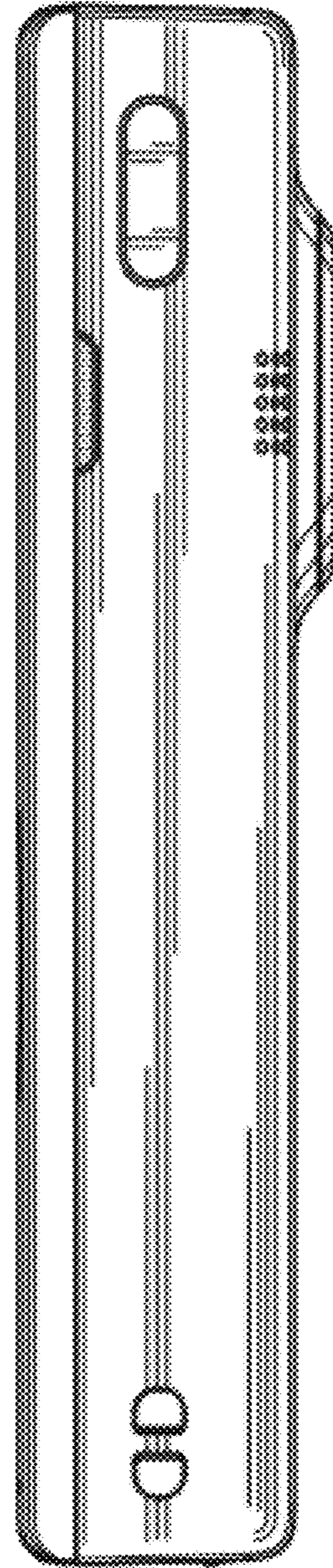


FIG. 5

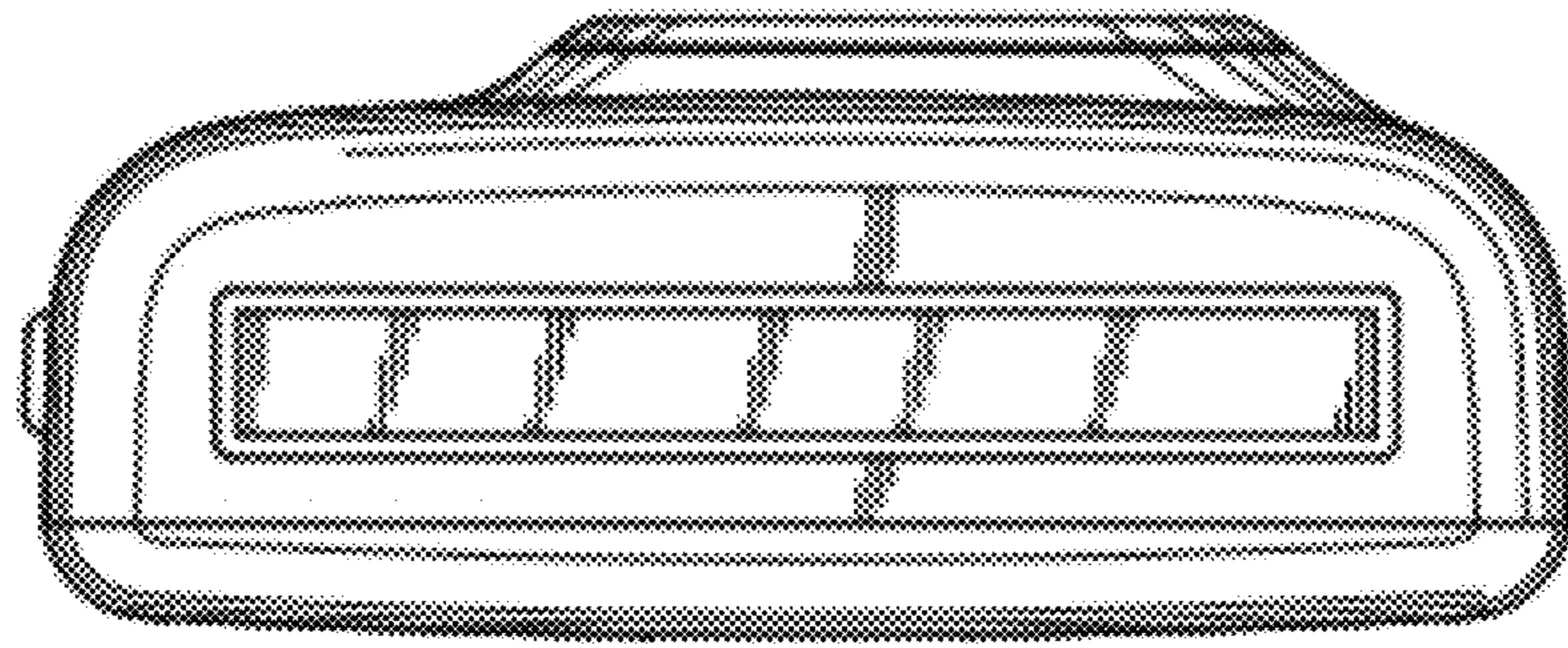


FIG. 6

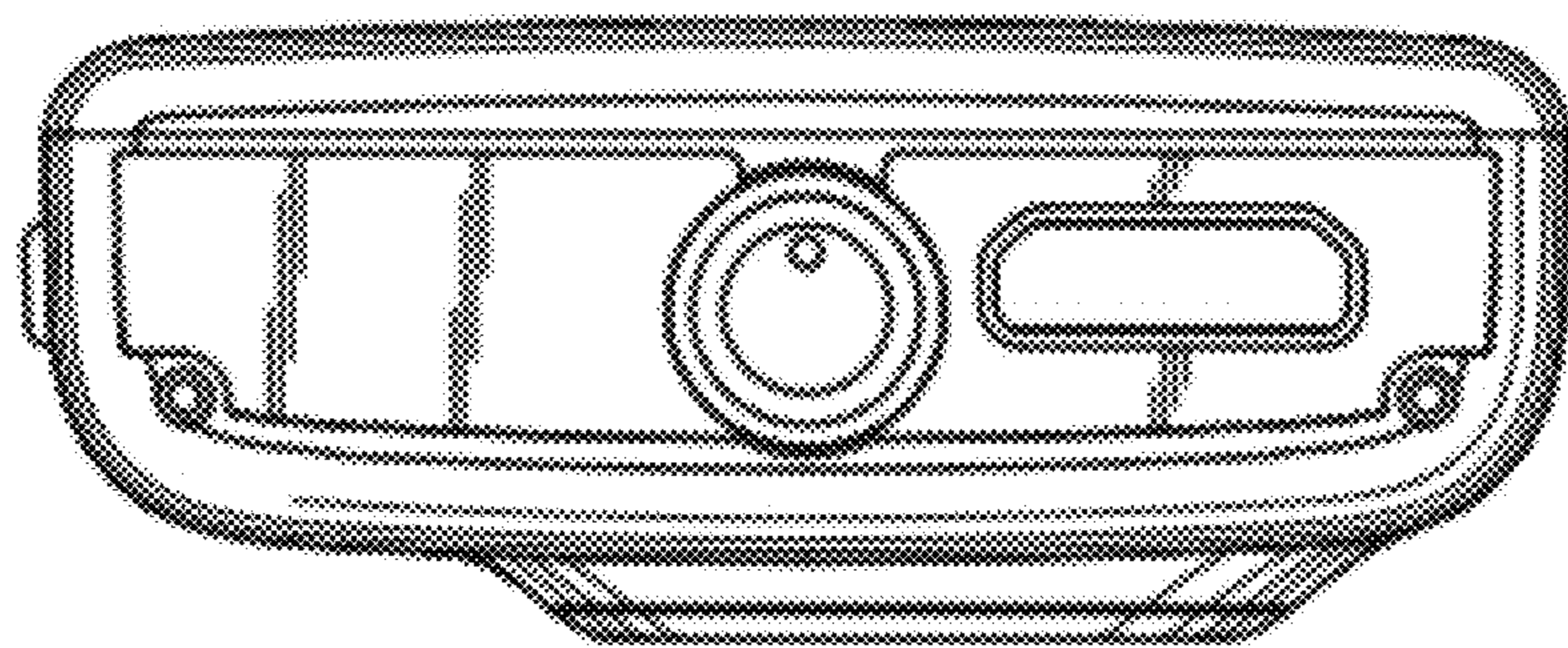


FIG. 7

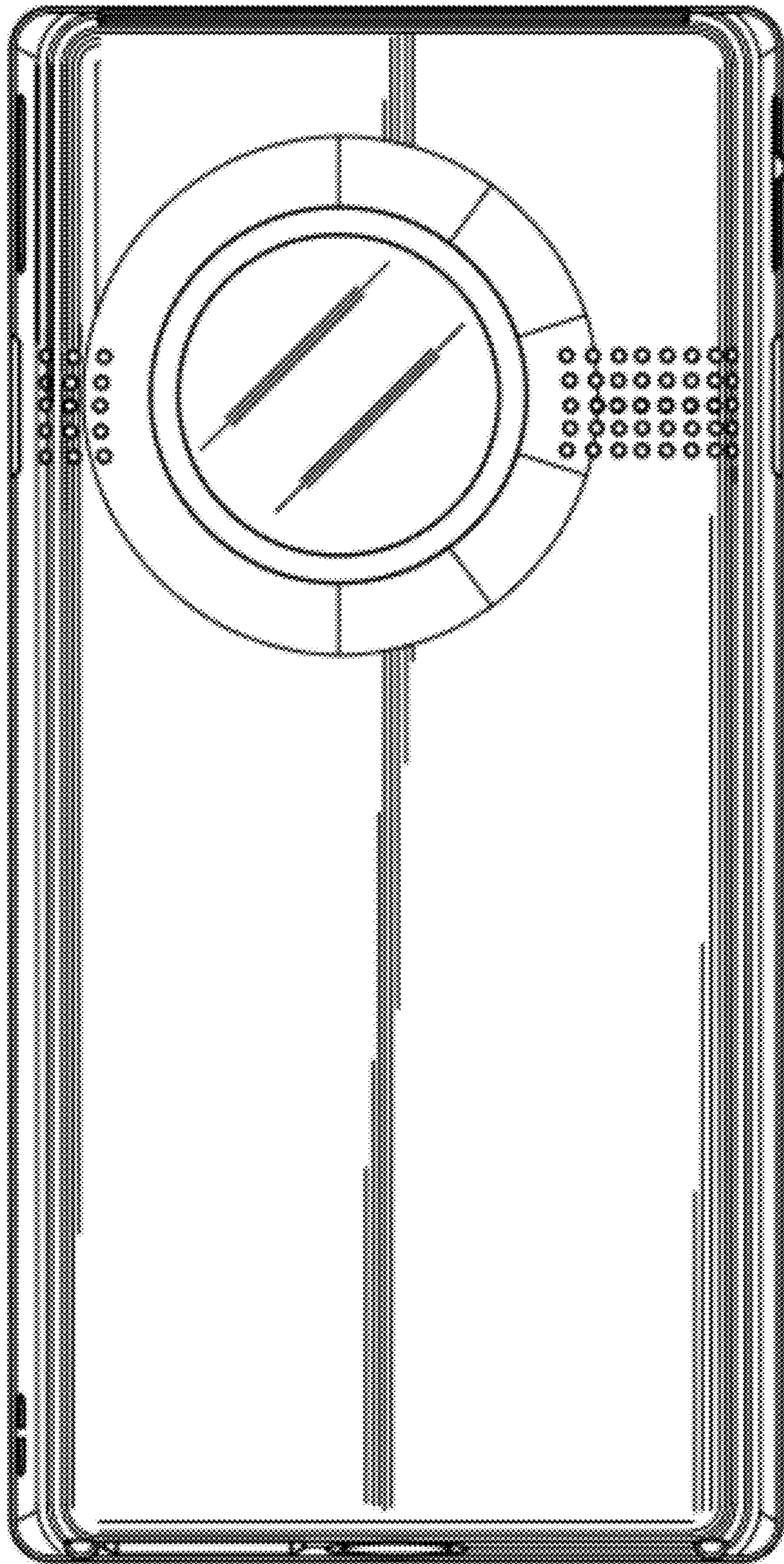


FIG. 8