

US00D666657S

(12) **United States Design Patent**
Furlan et al.

(10) **Patent No.:** **US D666,657 S**
(45) **Date of Patent:** **** Sep. 4, 2012**

(54) **DIGITAL VIDEO CAMERA WITH A CONNECTOR**

(75) Inventors: **John Furlan**, Belmont, CA (US);
Jonathan Kaplan, San Francisco, CA (US); **Ariel Braunstein**, San Francisco, CA (US); **Richard Tobias Inman**, San Francisco, CA (US); **Elizabeth A. Cleary**, San Francisco, CA (US); **Montfort De Lattre**, San Francisco, CA (US); **Mark Manuel Martinez**, San Francisco, CA (US); **Jens Nielsen**, San Francisco, CA (US); **Karim S. El-Katcha**, San Francisco, CA (US); **Maarten Dinger**, San Francisco, CA (US); **Nasahn Adam Sheppard**, Mill Valley, CA (US)

(73) Assignee: **Cisco Technology, Inc.**, San Jose, CA (US)

(**) Term: **14 Years**

(21) Appl. No.: **29/368,749**

(22) Filed: **Aug. 27, 2010**

(51) **LOC (9) Cl.** **16-01**

(52) **U.S. Cl.** **D16/202**

(58) **Field of Classification Search** D16/200–204,
D16/208, 218, 219; 348/373–376; 358/909.1;
396/535–541

See application file for complete search history.

(56) **References Cited**

U.S. PATENT DOCUMENTS

D591,321	S	*	4/2009	Sheppard et al.	D16/202
D611,975	S	*	3/2010	Sasaki	D16/202
D617,821	S	*	6/2010	Kaplan et al.	D16/202
D627,380	S	*	11/2010	Sheppard et al.	D16/202
D631,902	S	*	2/2011	Dinger et al.	D16/202
D632,324	S	*	2/2011	Dinger et al.	D16/202
7,893,990	B1	*	2/2011	Kaplan et al.	348/373
D633,930	S	*	3/2011	Dinger et al.	D16/202
D639,329	S	*	6/2011	Kaplan et al.	D16/219

* cited by examiner

Primary Examiner — Adir Aronovich

(74) *Attorney, Agent, or Firm* — Patterson & Sheridan, LLP

(57) **CLAIM**

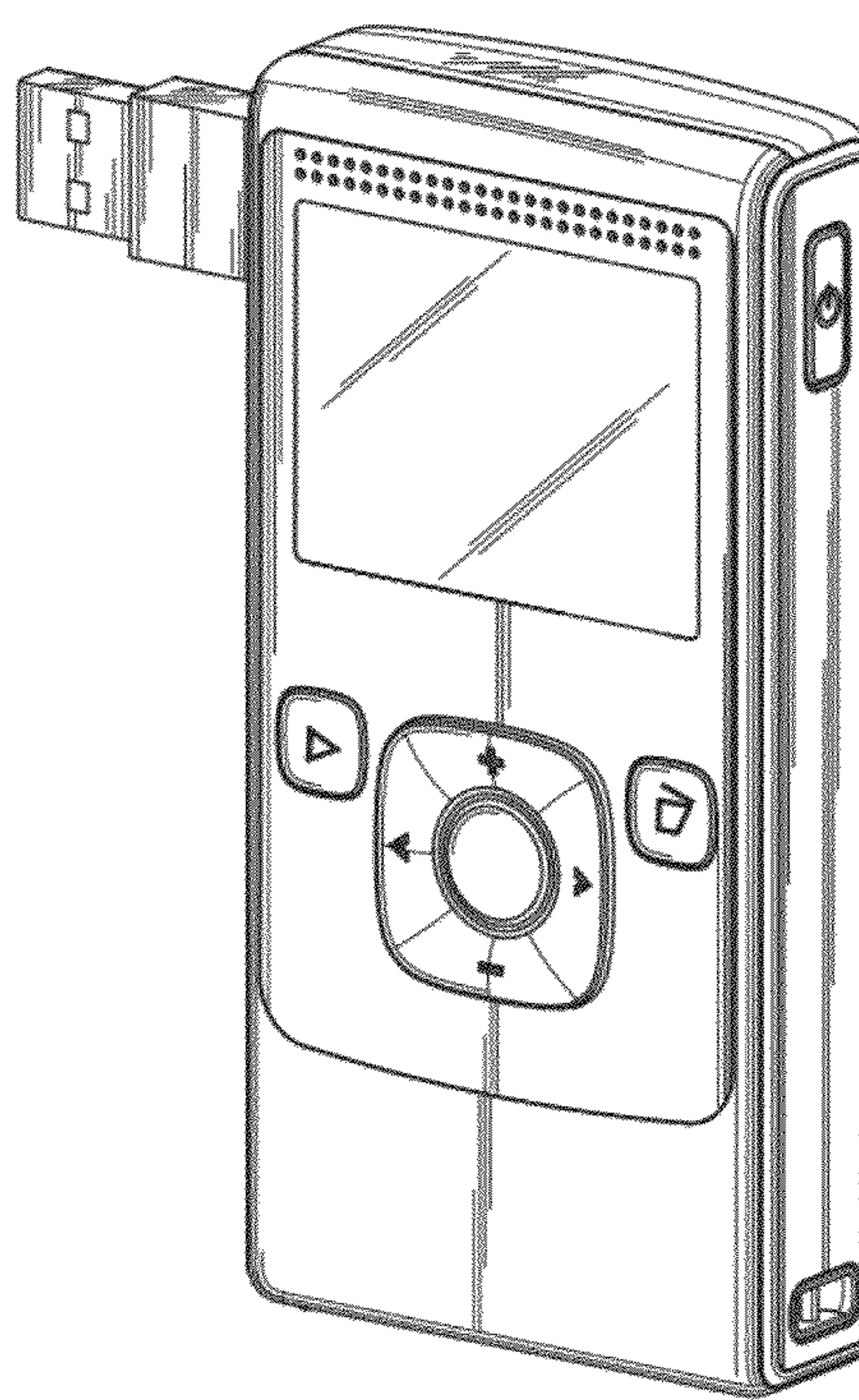
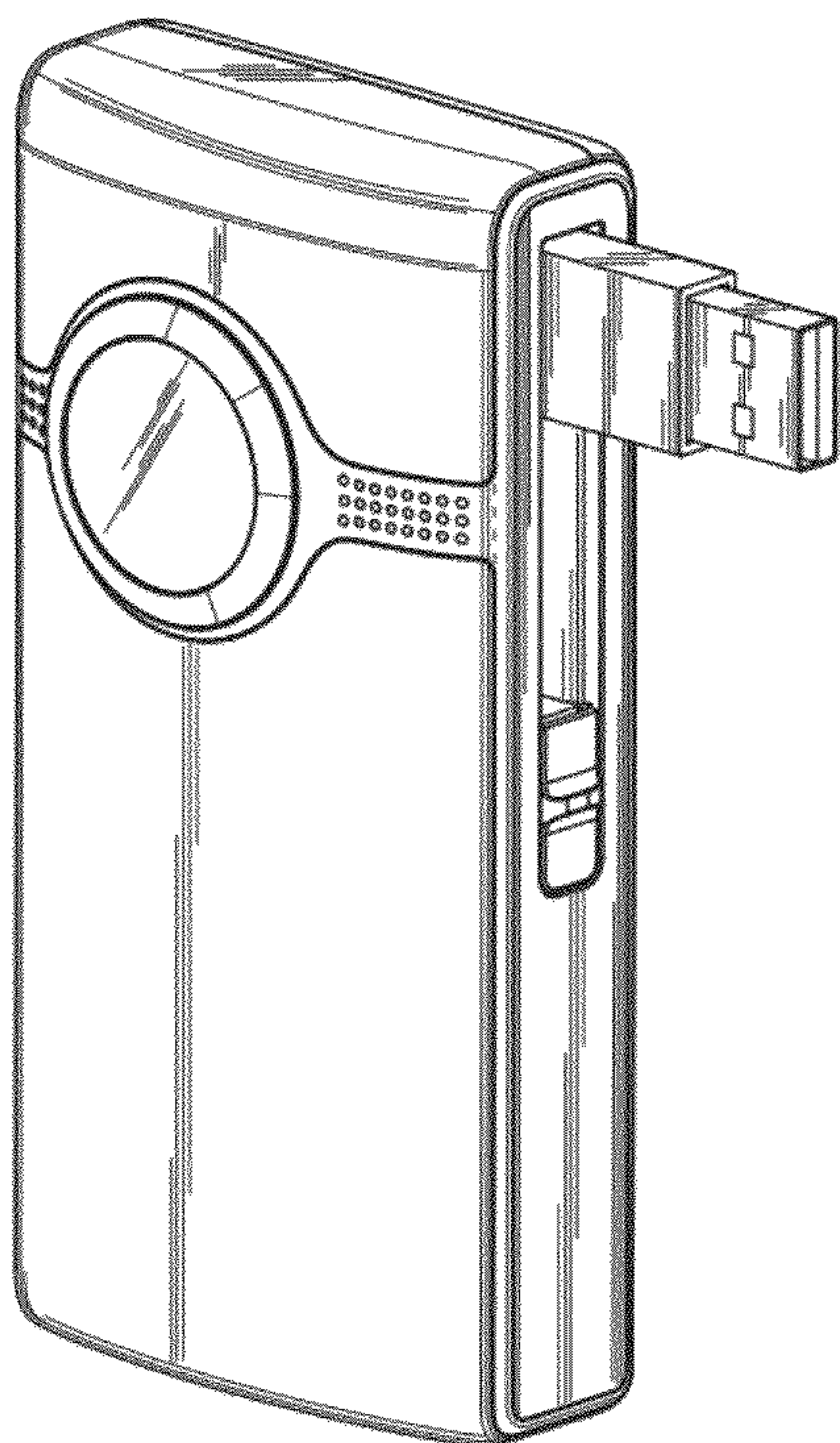
The ornamental design for a digital video camera with a connector, as shown and described.

DESCRIPTION

FIG. 1 is a front and left side perspective view of a digital camera with a connector showing our new design; FIG. 2 is a rear and right side perspective view thereof; FIG. 3 is a front elevational view thereof; FIG. 4 is a right side elevational view thereof; FIG. 5 is a left side elevational view thereof; FIG. 6 is a top plan view thereof; FIG. 7 is a bottom plan view thereof; and, FIG. 8 is a rear elevational view thereof.

The portions of the camera shown in broken lines in FIG. 7 are for illustrative purposes only and form no part of the claimed design.

1 Claim, 6 Drawing Sheets



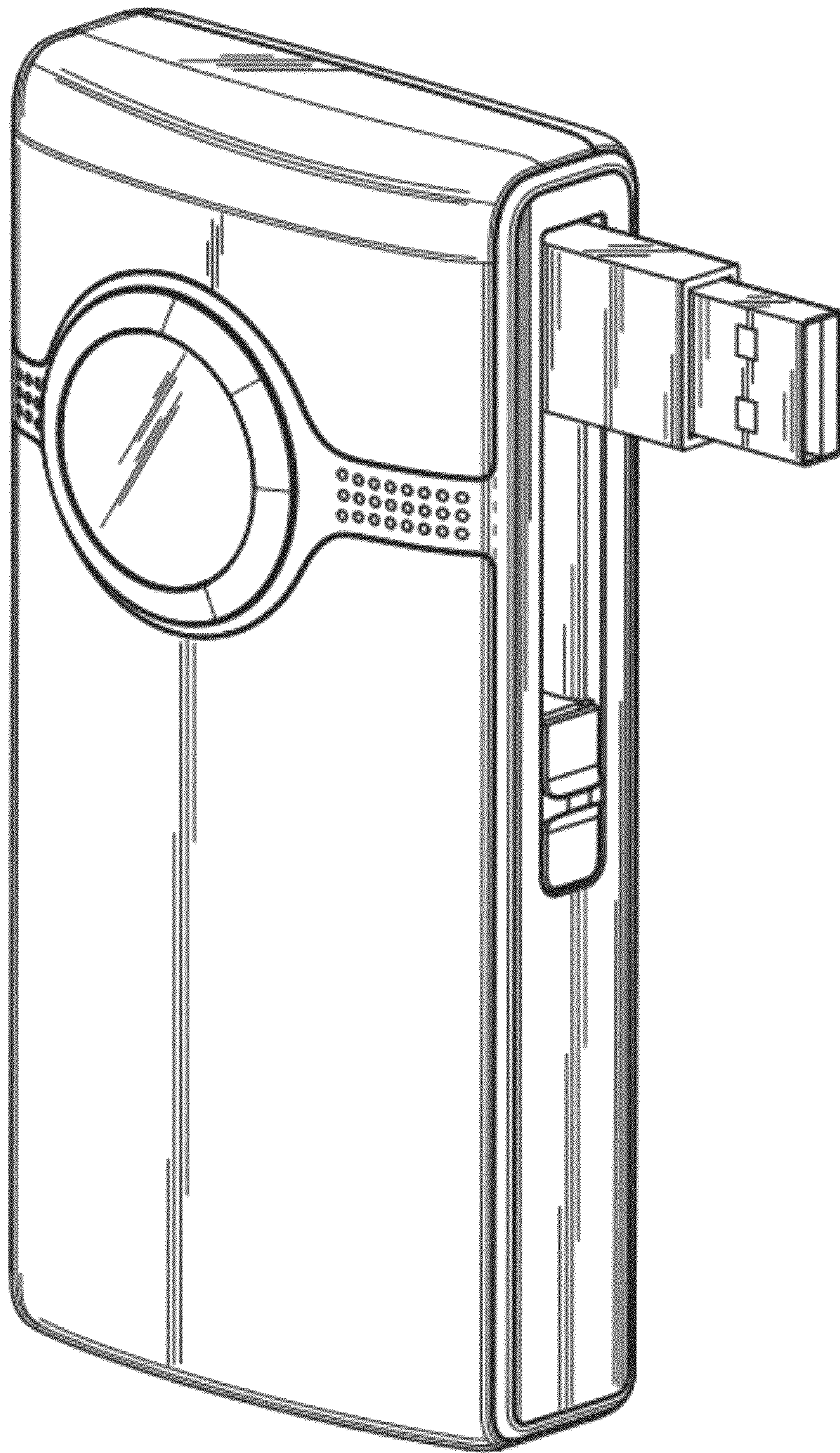


FIG. 1

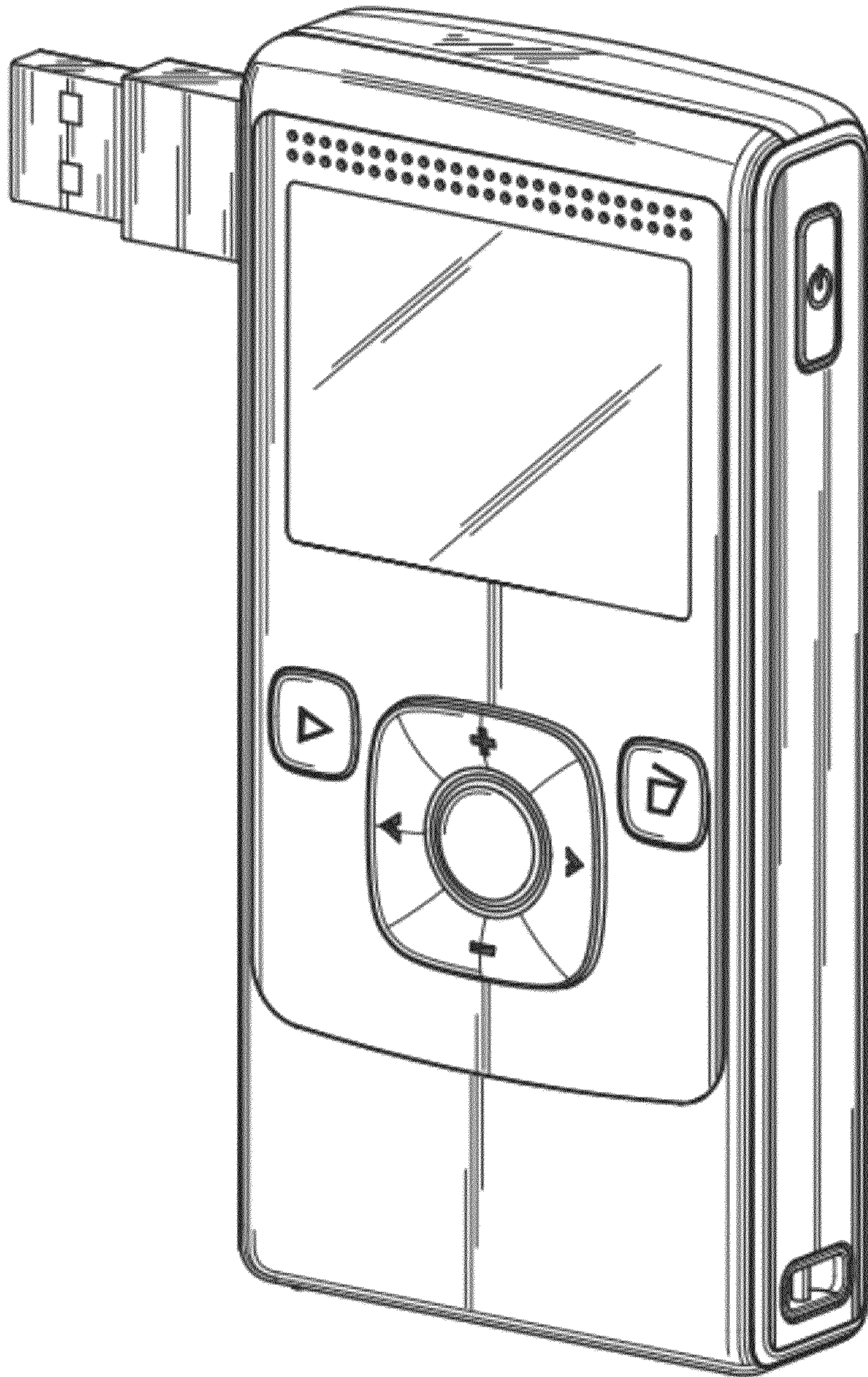


FIG.2

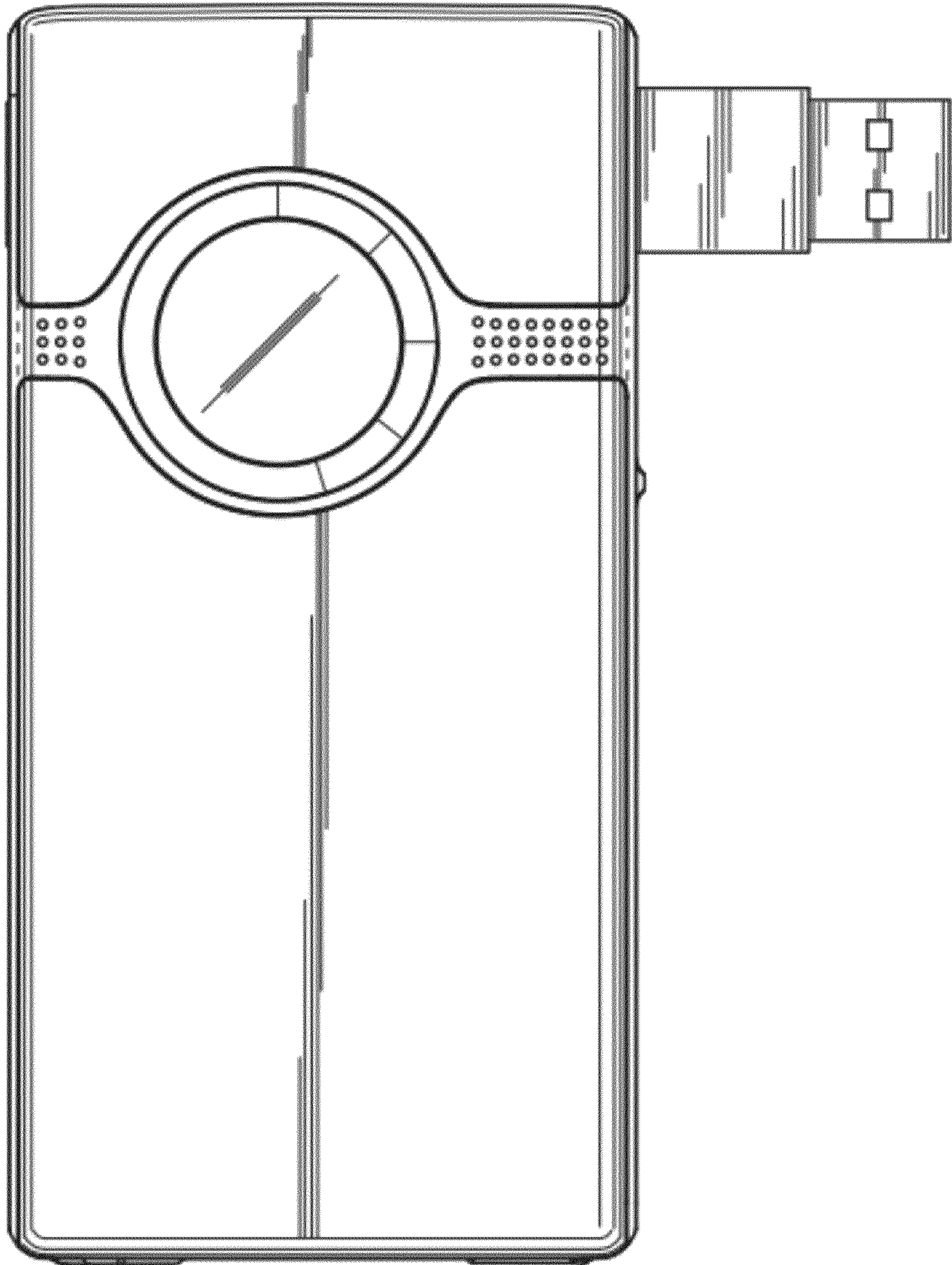


FIG.3

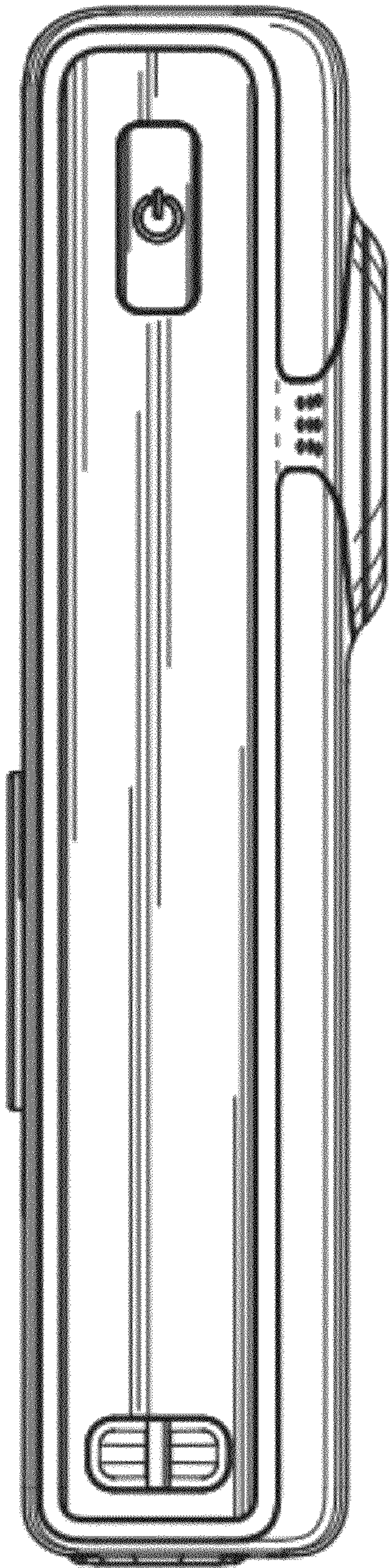


FIG. 4

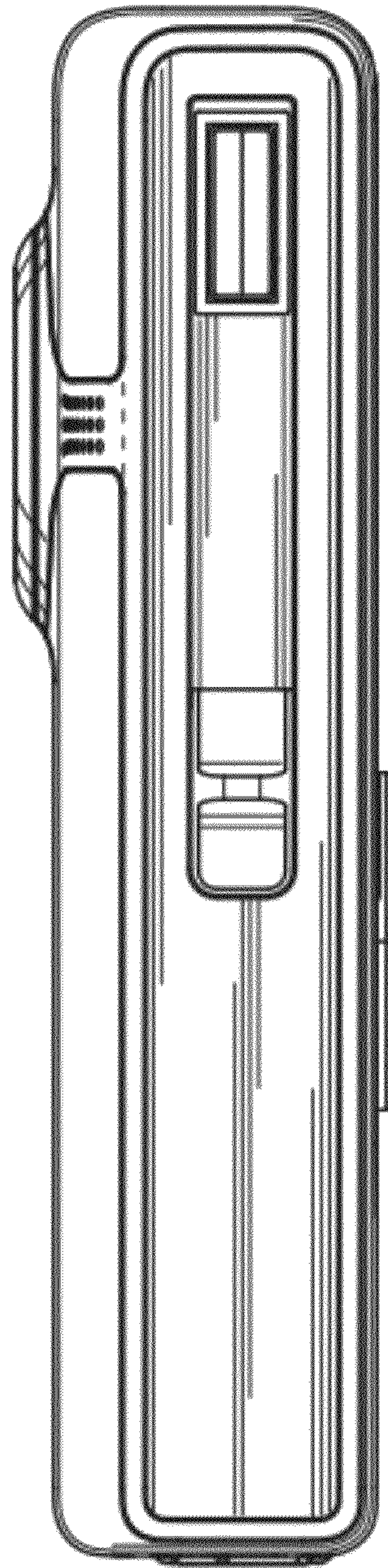


FIG. 5

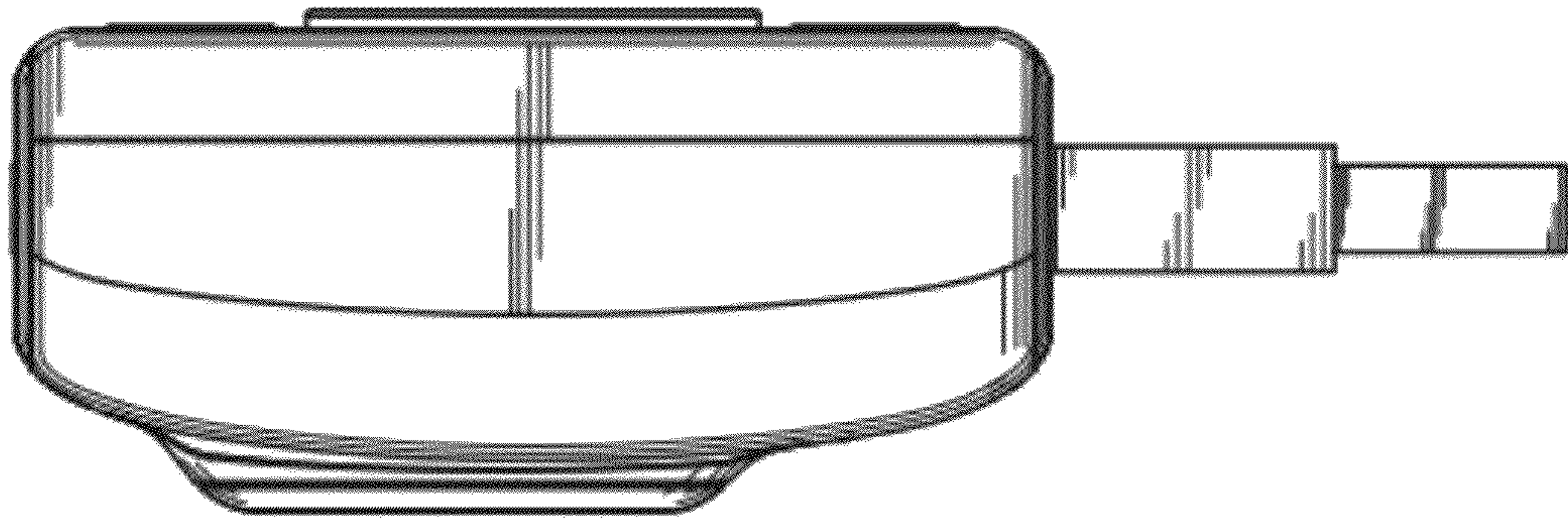


FIG. 6

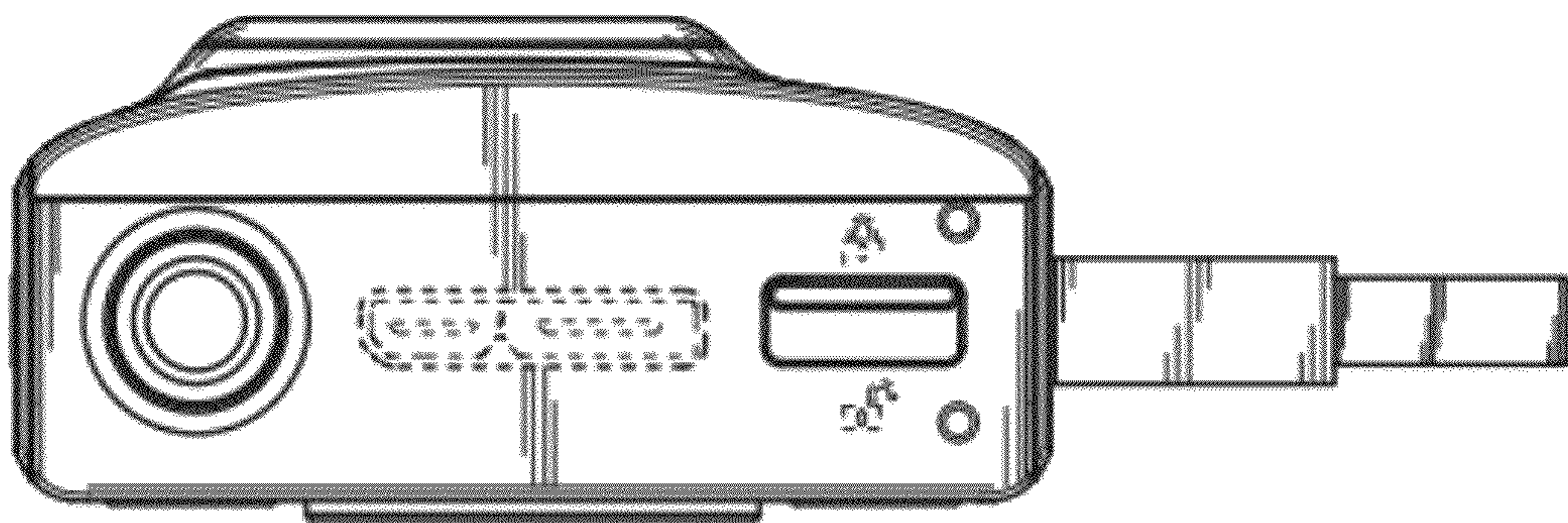


FIG. 7

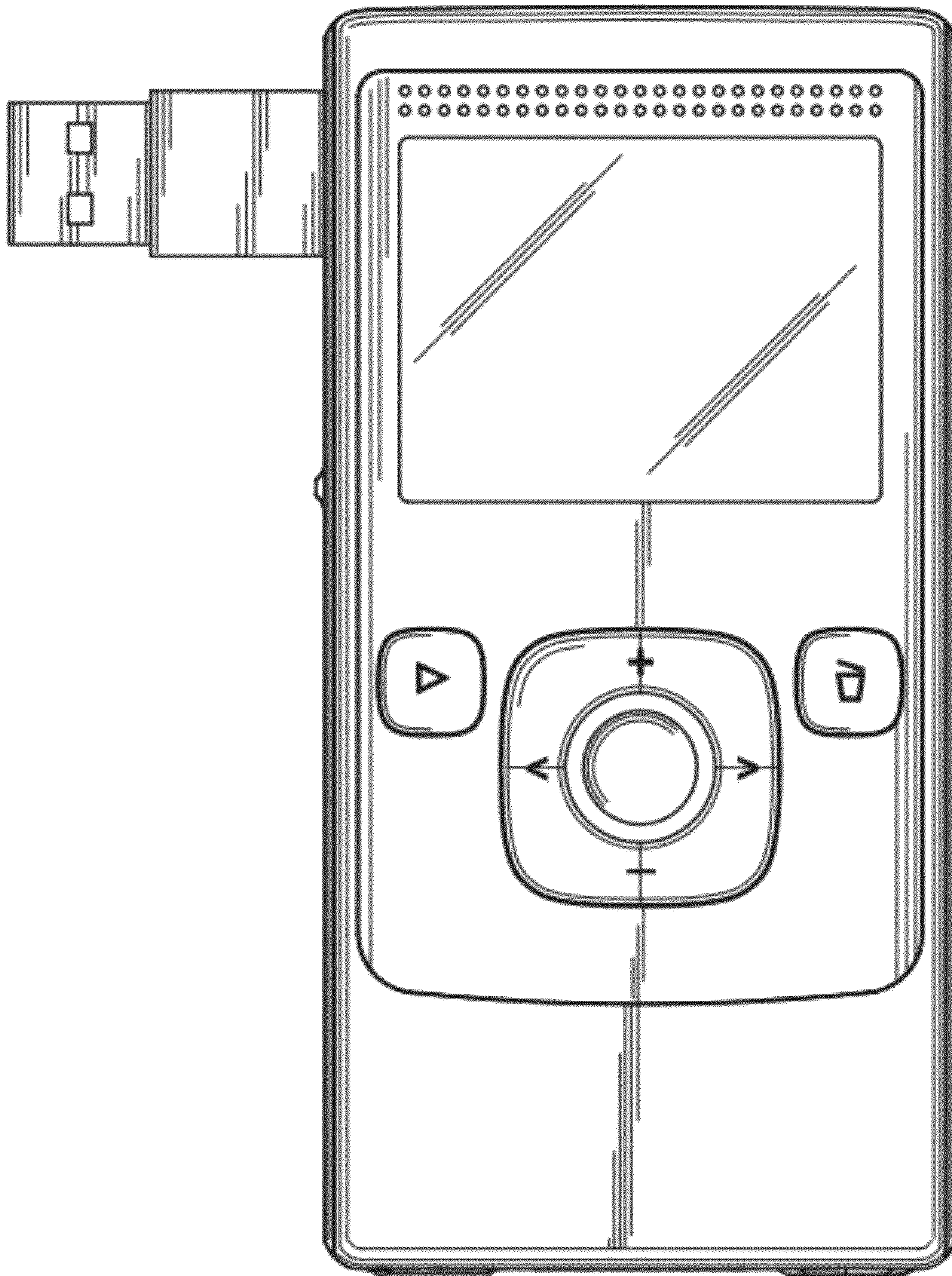


FIG.8