

US00D666654S

(12) **United States Design Patent**  
**Fischbach**

(10) **Patent No.:** **US D666,654 S**

(45) **Date of Patent:** **\*\* \*Sep. 4, 2012**

(54) **BINOCULARS**

(75) **Inventor:** **Manfred Fischbach,**  
Himmelkorn-Gössenreuth (DE)

(73) **Assignee:** **Steiner-Optik GmbH,** Bayreuth (DE)

(\*) **Notice:** This patent is subject to a terminal disclaimer.

(\*\*) **Term:** **14 Years**

(21) **Appl. No.:** **29/384,273**

(22) **Filed:** **Jan. 28, 2011**

(30) **Foreign Application Priority Data**

Jul. 30, 2010 (EM) ..... 001738162

(51) **LOC (9) Cl.** ..... **16-06**

(52) **U.S. Cl.** ..... **D16/133**

(58) **Field of Classification Search** ..... D16/133;  
359/407, 408, 410, 411, 412, 413, 414, 415,  
359/416, 417, 418, 419, 420, 808, 809, 810,  
359/811, 813, 815, 817, 819, 822  
See application file for complete search history.

(56) **References Cited**

**U.S. PATENT DOCUMENTS**

3,484,149	A *	12/1969	Becker et al. ....	359/414
D223,298	S *	4/1972	Senda et al. ....	D16/133
4,867,533	A *	9/1989	Akin, Jr. ....	359/425
D307,154	S *	4/1990	Shishikura ....	D16/133

D359,972	S *	7/1995	Takahashi .....	D16/133
D397,127	S *	8/1998	Chang .....	D16/133
D470,160	S *	2/2003	Meinzer .....	D16/133
D472,257	S *	3/2003	Fujii .....	D16/133
D507,289	S *	7/2005	Meinzer .....	D16/133
D523,047	S *	6/2006	Swift et al. ....	D16/133
D523,885	S *	6/2006	Hayashi .....	D16/133
D551,272	S *	9/2007	Fujii .....	D16/133
D567,275	S *	4/2008	Hayamizu .....	D16/133
D592,690	S *	5/2009	Steiner .....	D16/133
D627,378	S *	11/2010	Watanabe .....	D16/133

\* cited by examiner

*Primary Examiner* — Paula Greene

(74) *Attorney, Agent, or Firm* — Laurence A. Greenberg;  
Werner H. Stemer; Ralph E. Locher

(57) **CLAIM**

The ornamental design for binoculars, as shown and described.

**DESCRIPTION**

FIG. 1 is a front, top perspective view of the binoculars, showing my new design;  
FIG. 2 is a top view thereof;  
FIG. 3 is a bottom view thereof;  
FIG. 4 is a left side elevation view thereof;  
FIG. 5 is a right side elevation view thereof;  
FIG. 6 is a rear view thereof; and,  
FIG. 7 is a front view thereof.

The broken lines form no part of the claimed design.

**1 Claim, 3 Drawing Sheets**

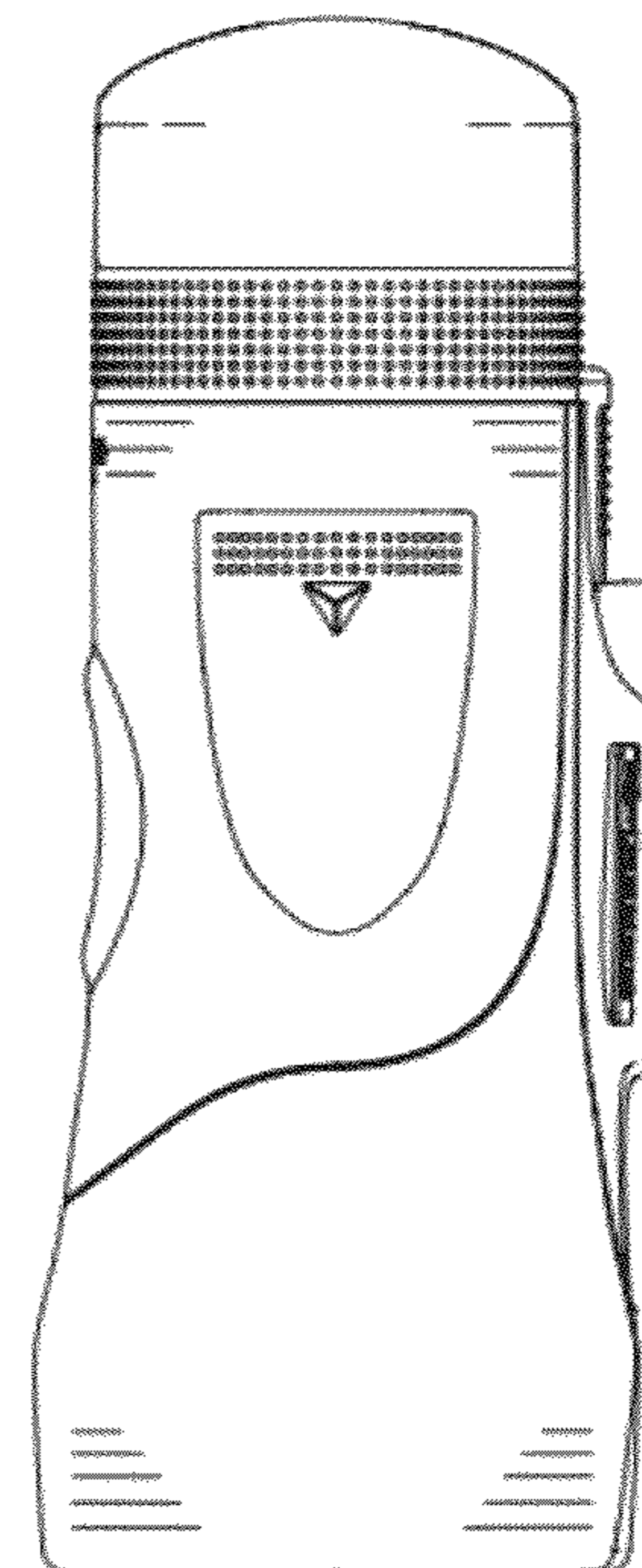
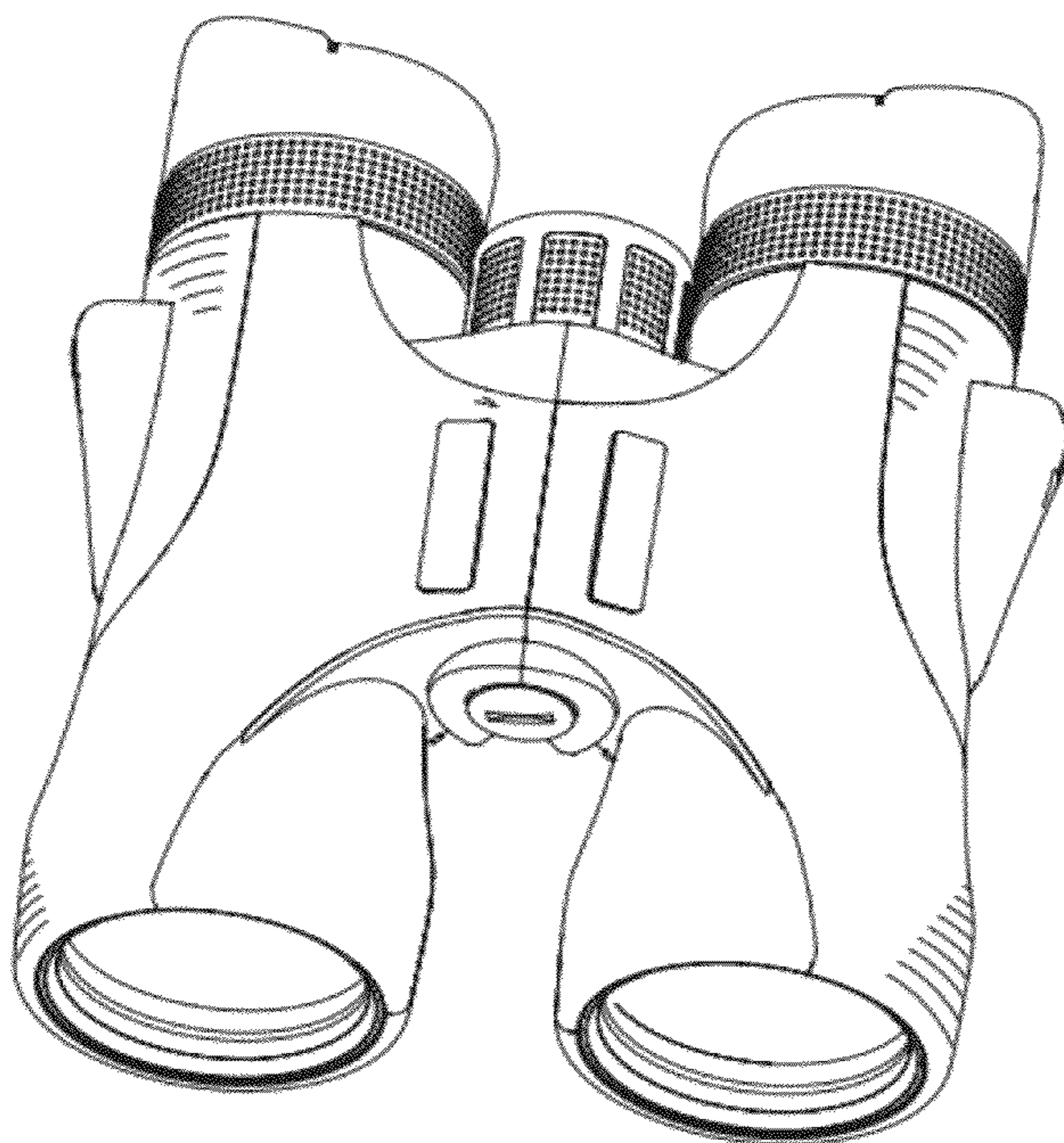


FIG. 1

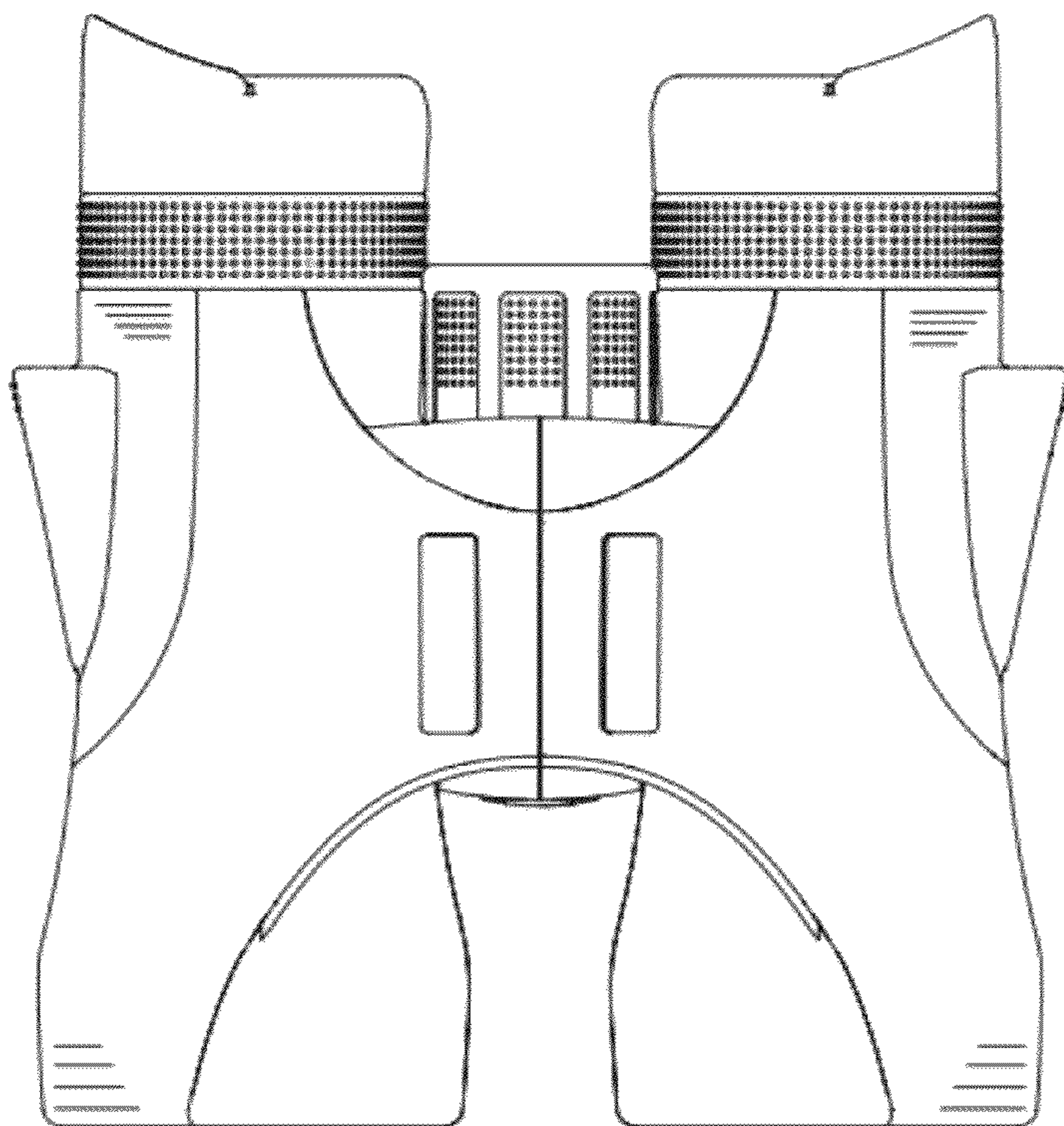
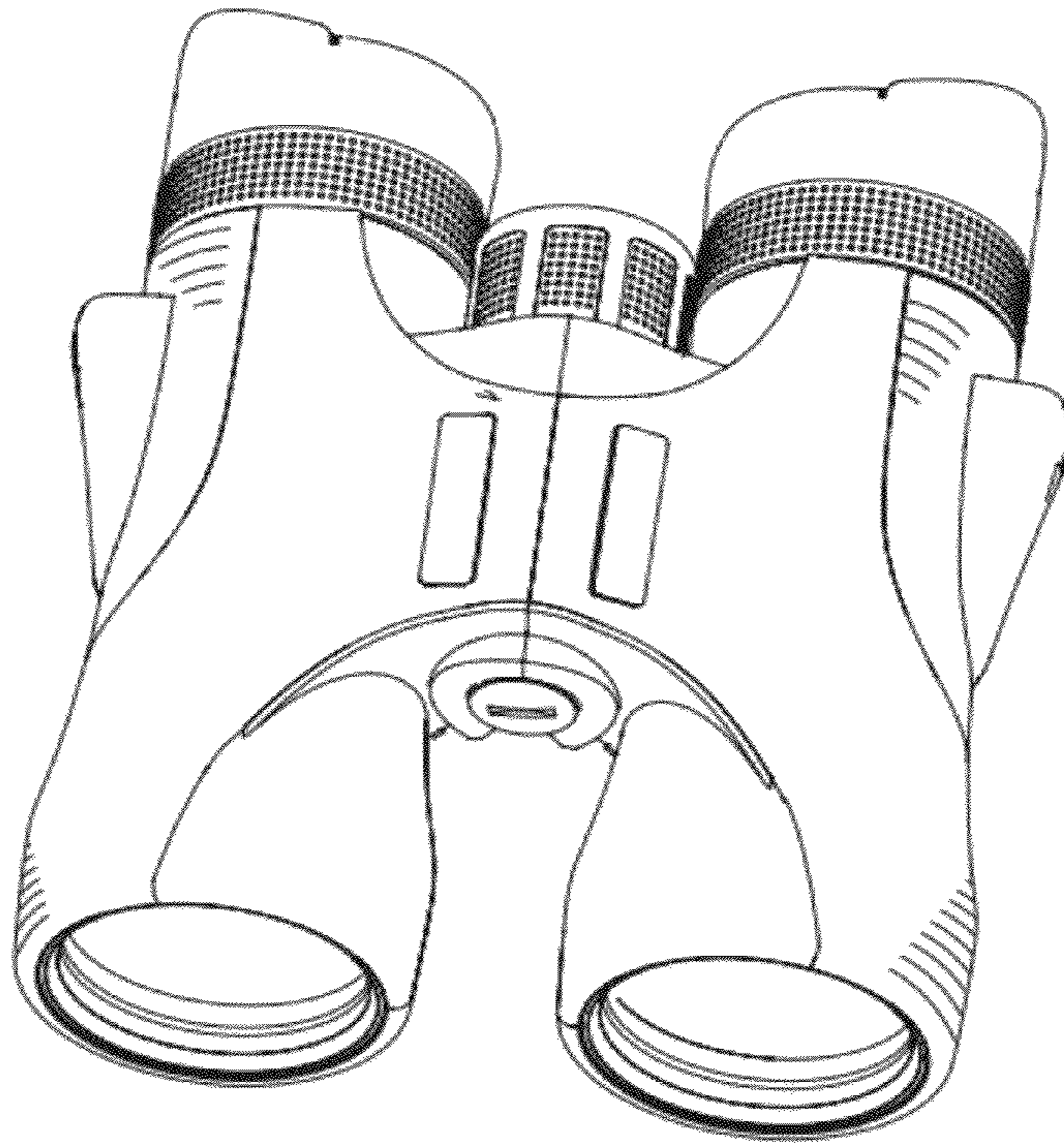


FIG. 2

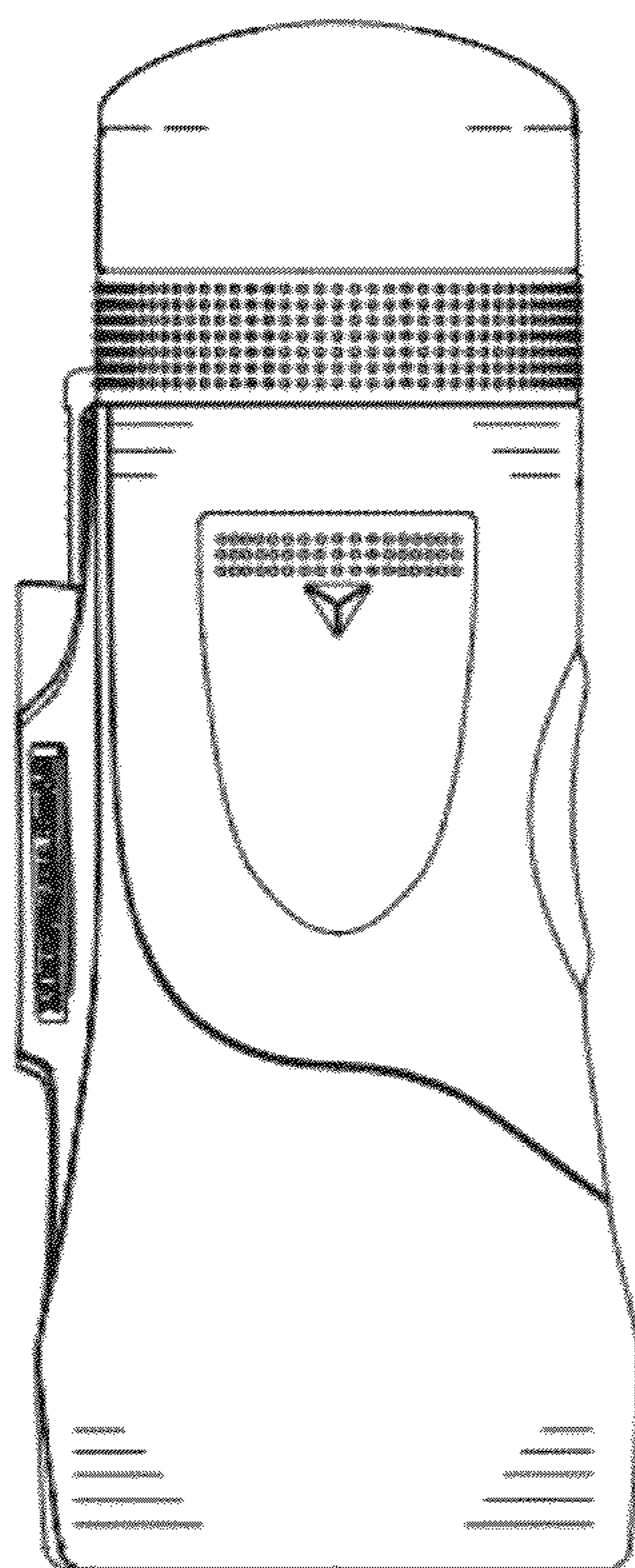
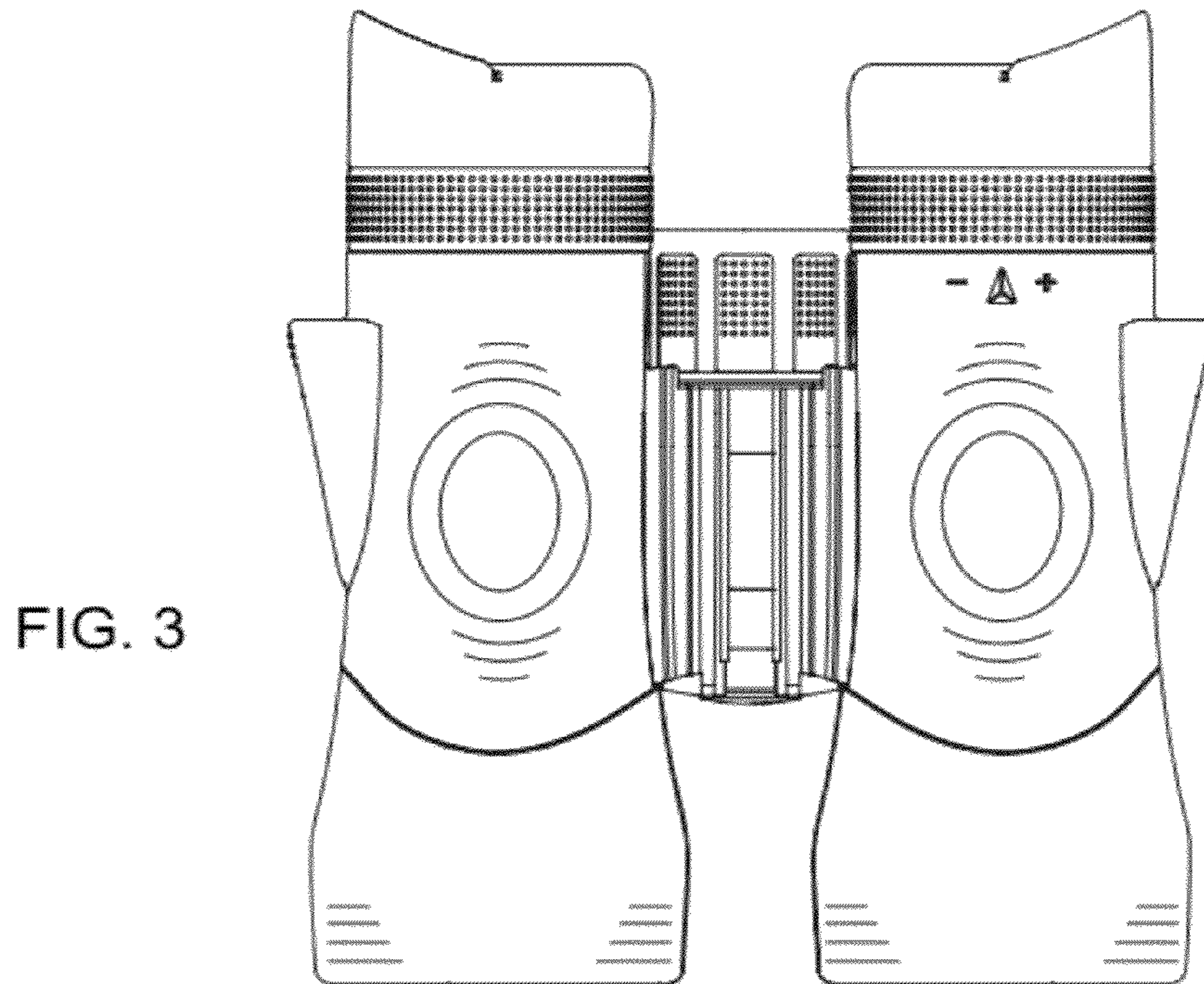


FIG. 4

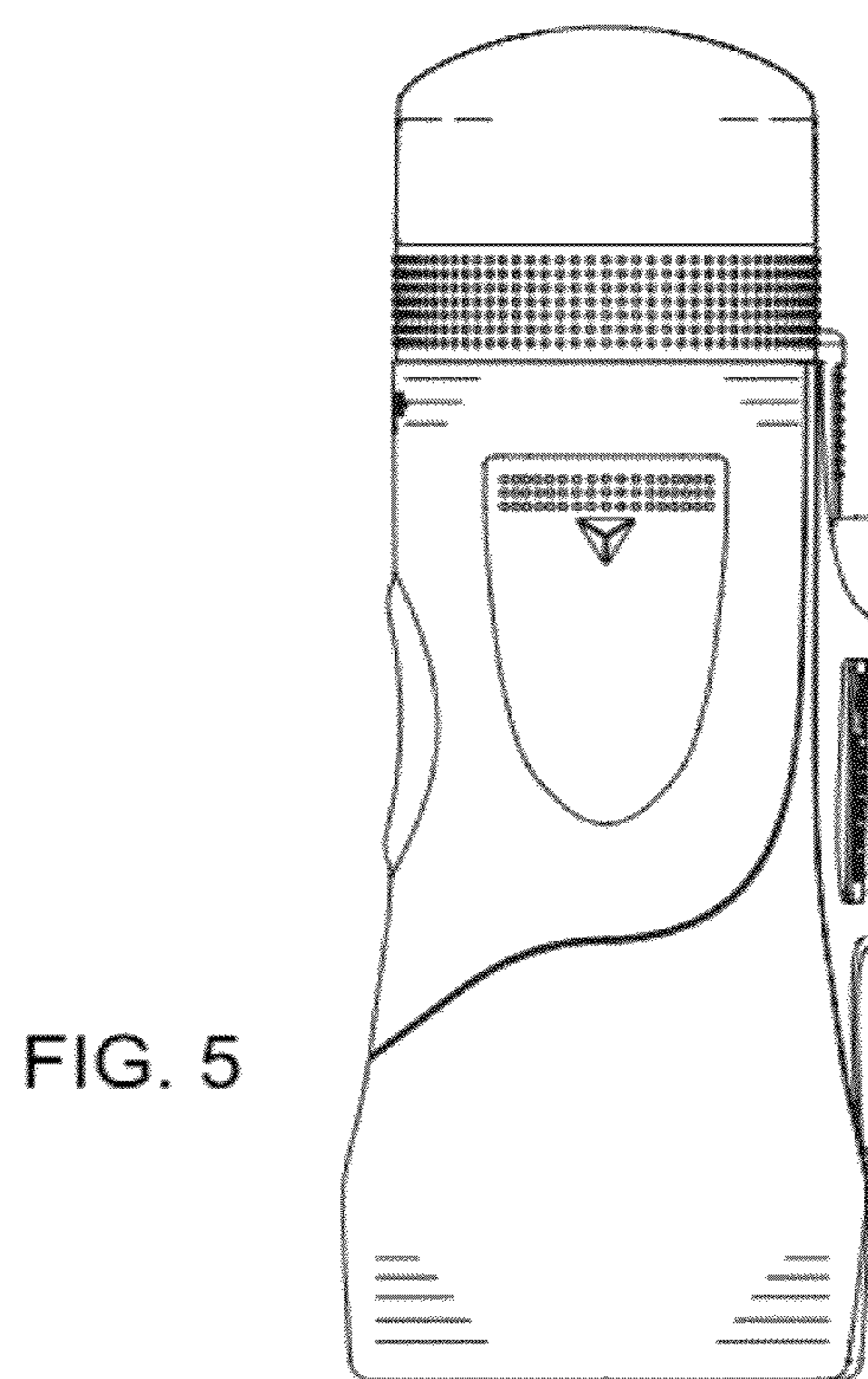


FIG. 5

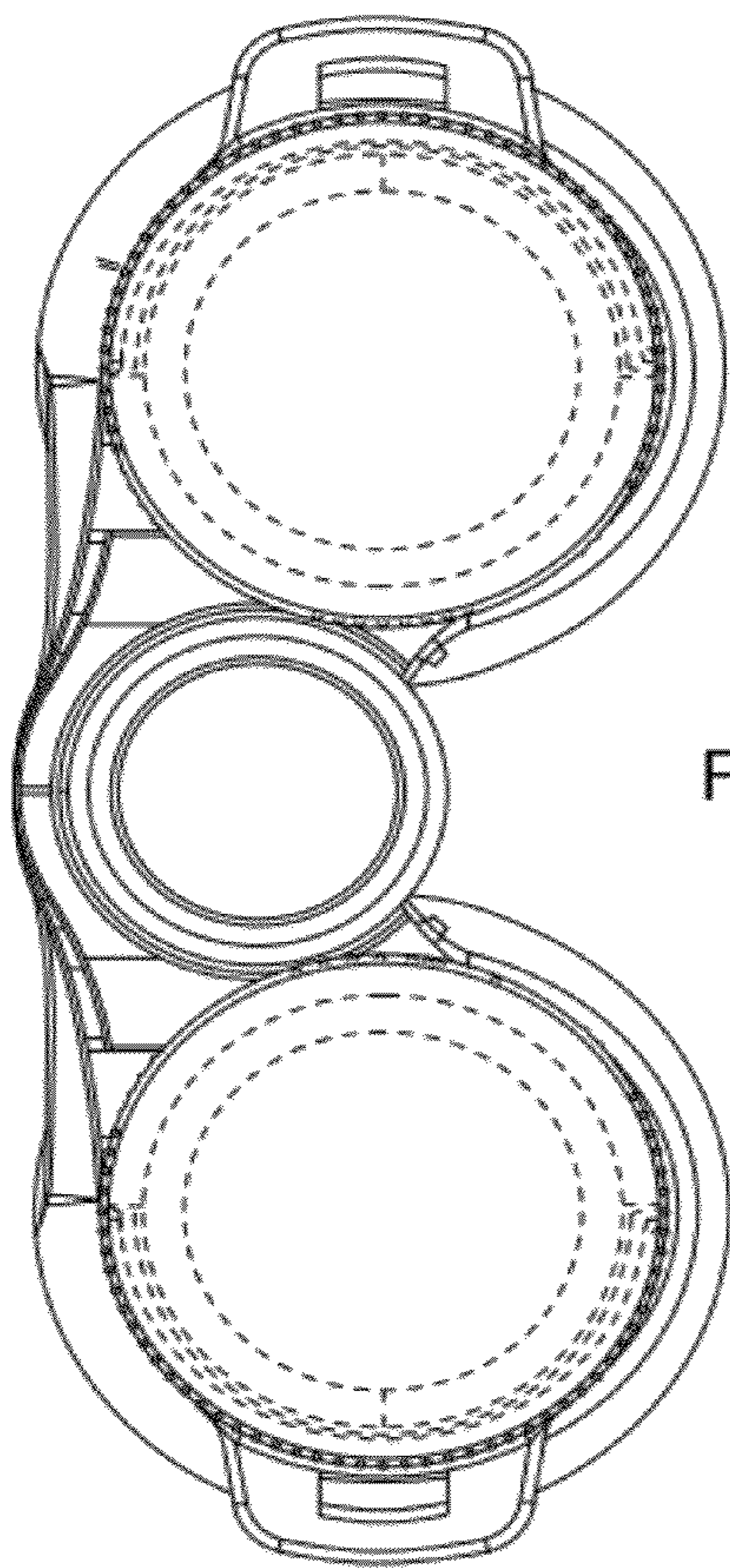


FIG. 6

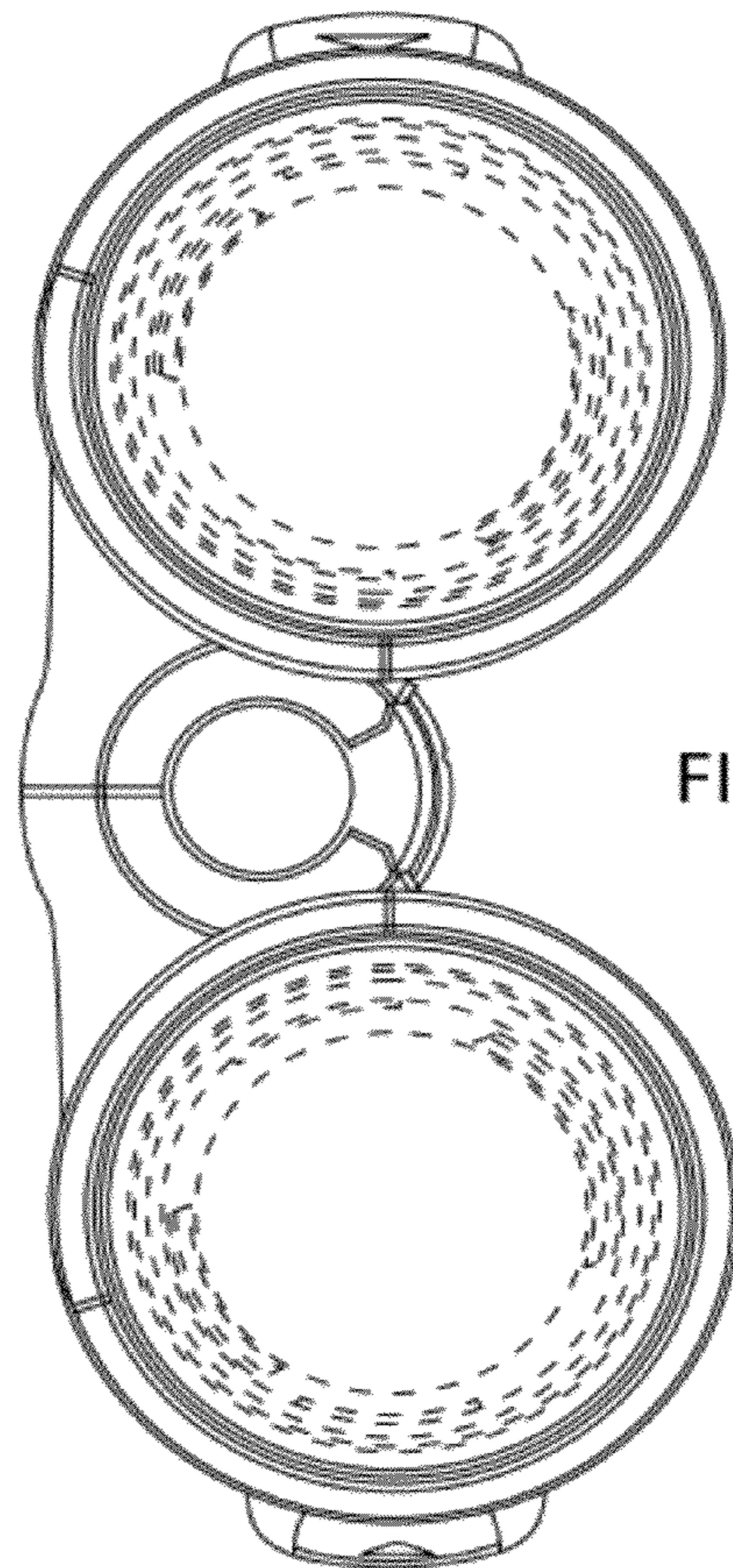


FIG. 7