

US00D66644S

(12) **United States Design Patent**
Henry

(10) **Patent No.:** **US D666,644 S**

(45) **Date of Patent:** **** Sep. 4, 2012**

(54) **PORTABLE HEAT WELDING MACHINE**

(75) **Inventor:** **Brian D. Henry**, North Lawrence, OH (US)

(73) **Assignee:** **Miller Weldmaster Corporation**, Navarre, OH (US)

(**) **Term:** **14 Years**

(21) **Appl. No.:** **29/404,485**

(22) **Filed:** **Oct. 21, 2011**

(51) **LOC (9) Cl.** **15-09**

(52) **U.S. Cl.** **D15/144**

(58) **Field of Classification Search** D8/29.1, D8/30; D13/133; D15/144, 144.1, 144.2; 219/125.1, 130, 130.5, 132, 133, 241, 424, 219/606; 222/146.5, 152, 156, 189.06, 397; 228/8, 20, 51, 111.5

See application file for complete search history.

(56) **References Cited**

U.S. PATENT DOCUMENTS

2,929,913 A * 3/1960 Miller 219/56.1
D268,185 S * 3/1983 Hirose et al. D15/132
D274,914 S * 7/1984 Bouman D15/144

4,484,055 A * 11/1984 Haines et al. 219/86.21
4,510,370 A * 4/1985 Szantho et al. 219/86.25
4,656,327 A * 4/1987 Wilcox 219/86.21
4,924,055 A * 5/1990 Nakahigasi et al. 219/86.21
D327,694 S * 7/1992 Tanaka D15/144
D363,298 S * 10/1995 Takemi D15/144
D456,426 S * 4/2002 Boyer et al. D15/144
D523,044 S * 6/2006 Hartmann D15/144

* cited by examiner

Primary Examiner — Patricia Palasik

(74) *Attorney, Agent, or Firm* — Sand & Sebolt

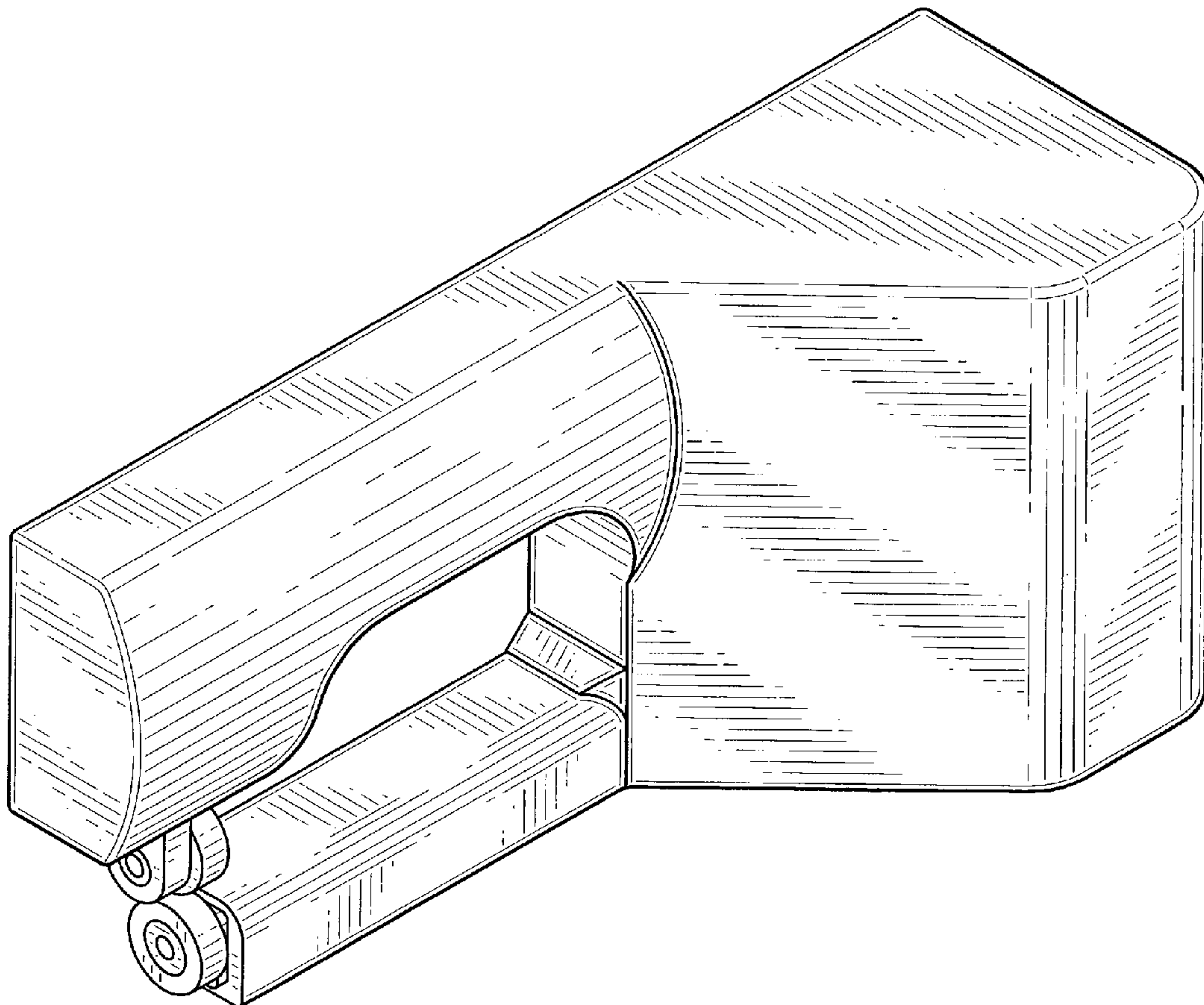
(57) **CLAIM**

The ornamental design for a portable heat welding machine, as shown and described.

DESCRIPTION

FIG. 1 is a perspective view of a first embodiment of the portable heat welding machine of the present invention. FIG. 2 is a front elevational view of the first embodiment. FIG. 3 is a rear elevational view of the first embodiment. FIG. 4 is a top plan view of the first embodiment. FIG. 5 is a bottom plan view of the first embodiment. FIG. 6 is a left end elevational view of the first embodiment; and, FIG. 7 is a right end elevational view of the first embodiment.

1 Claim, 5 Drawing Sheets



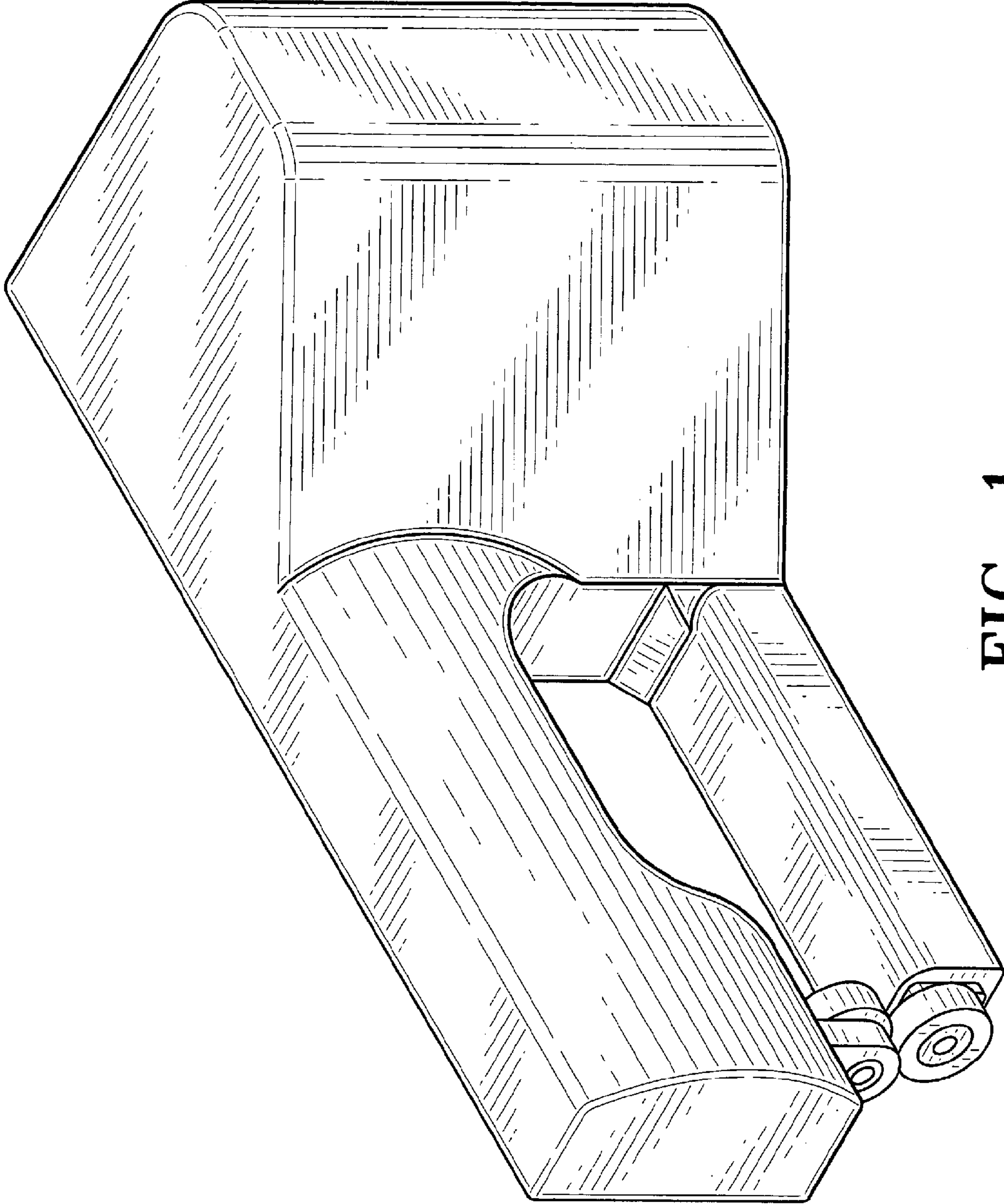


FIG-1

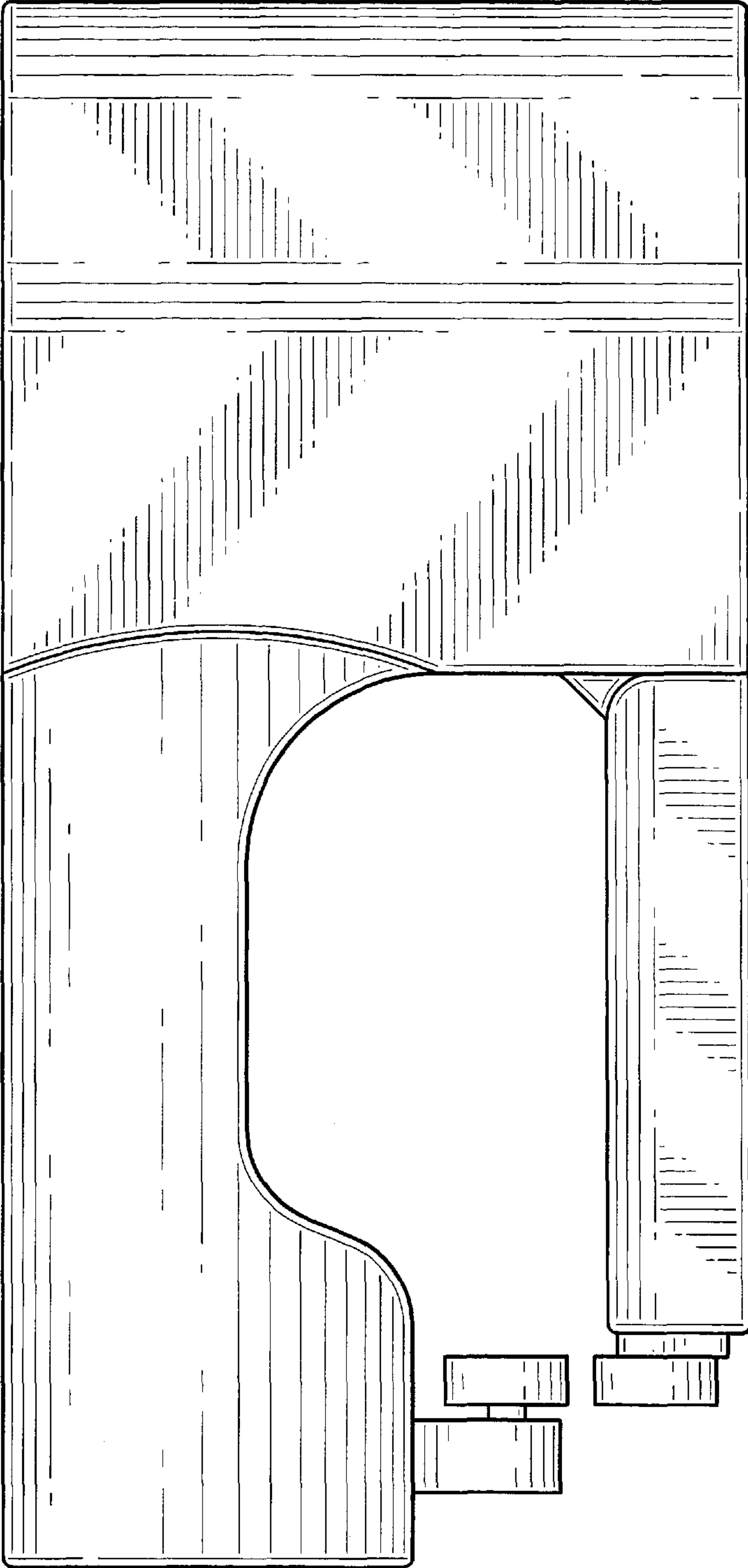


FIG-2

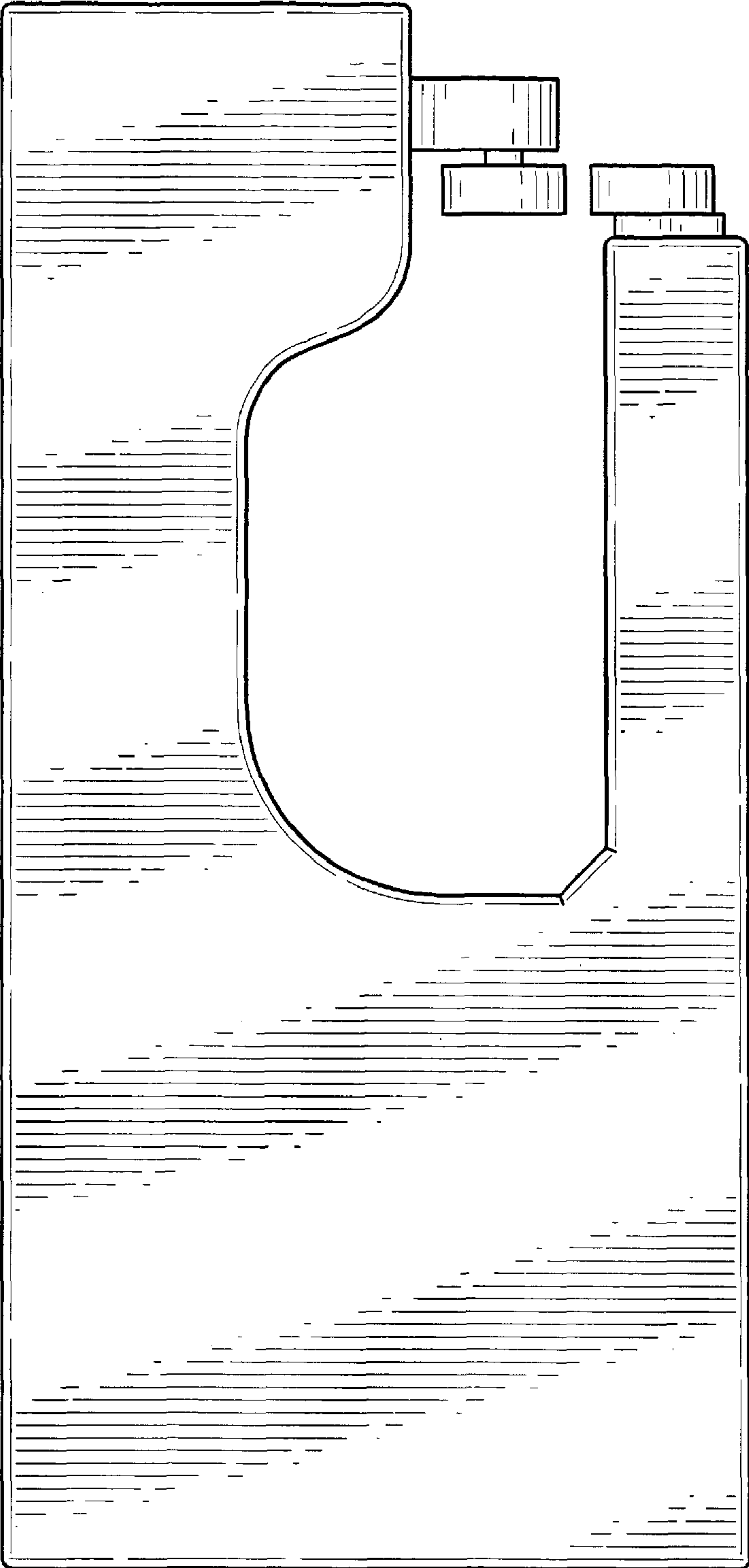


FIG-3

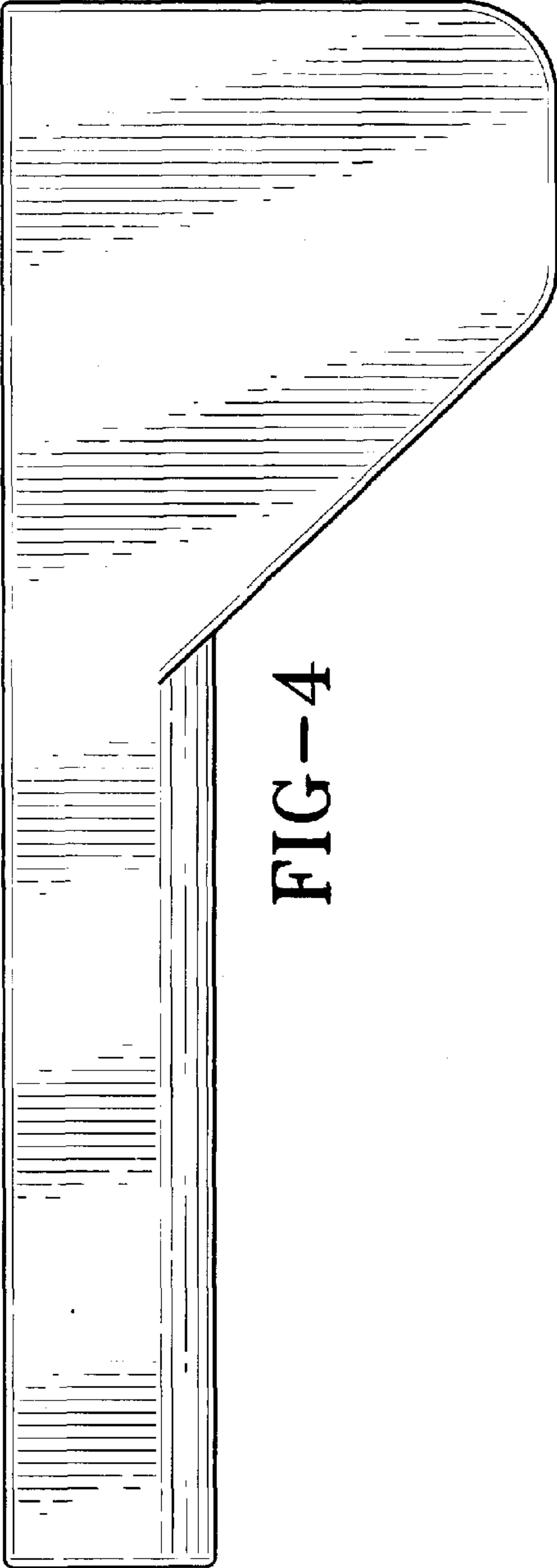


FIG-4

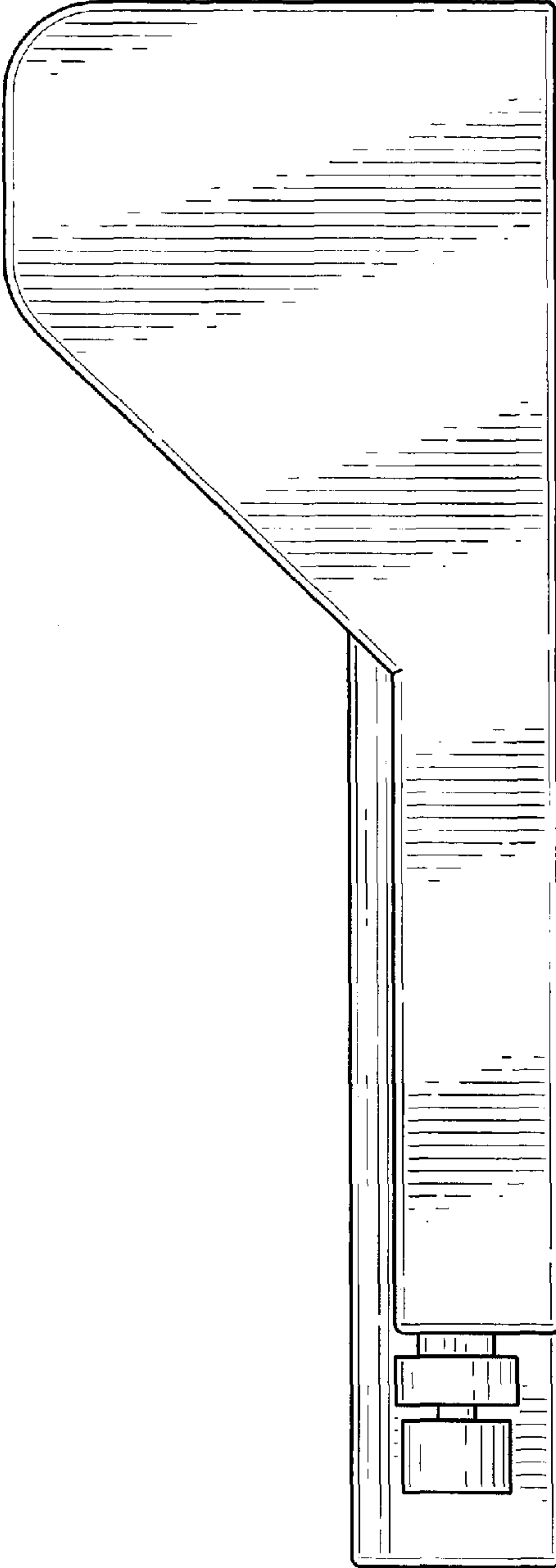


FIG-5

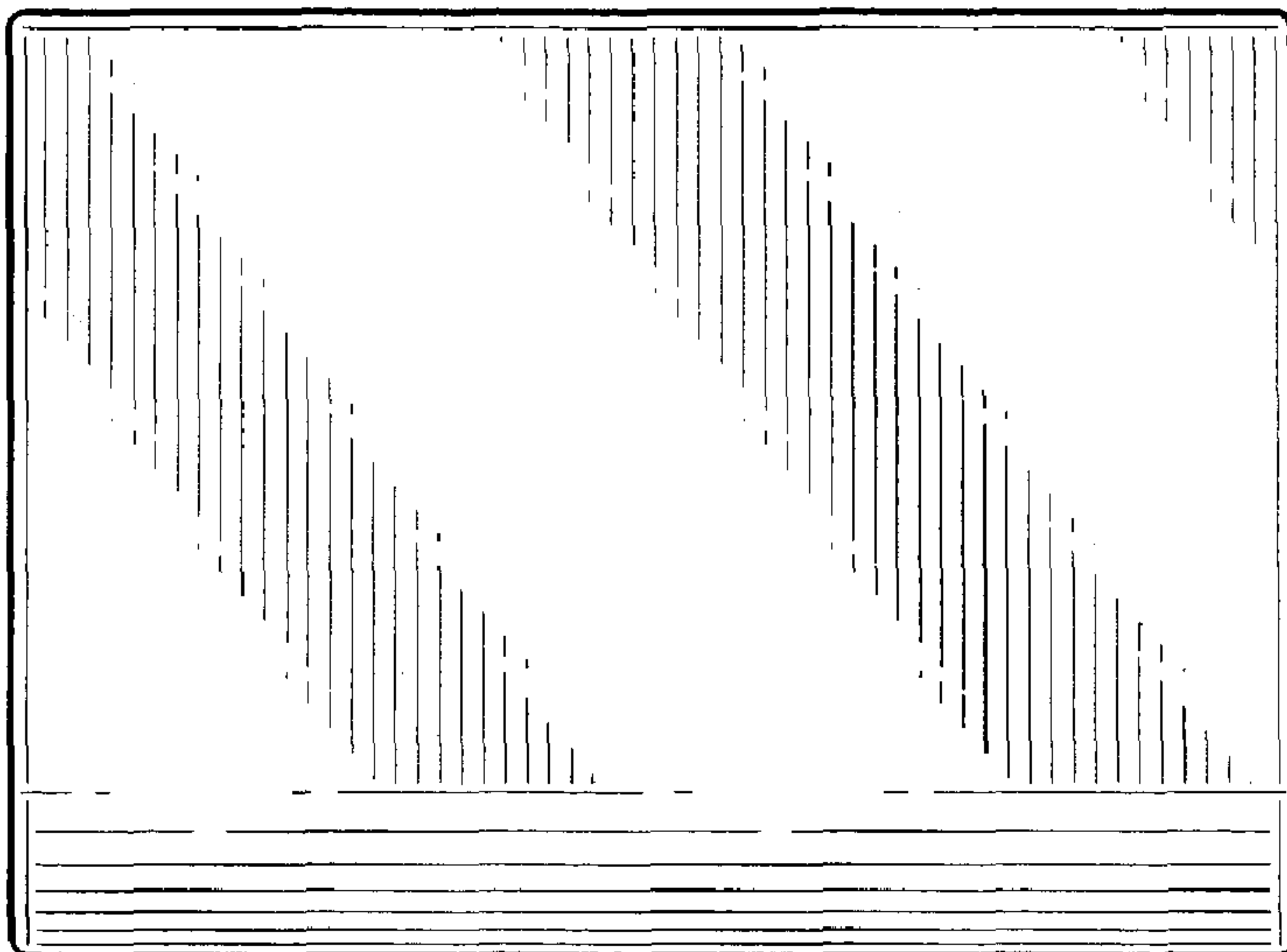


FIG-7

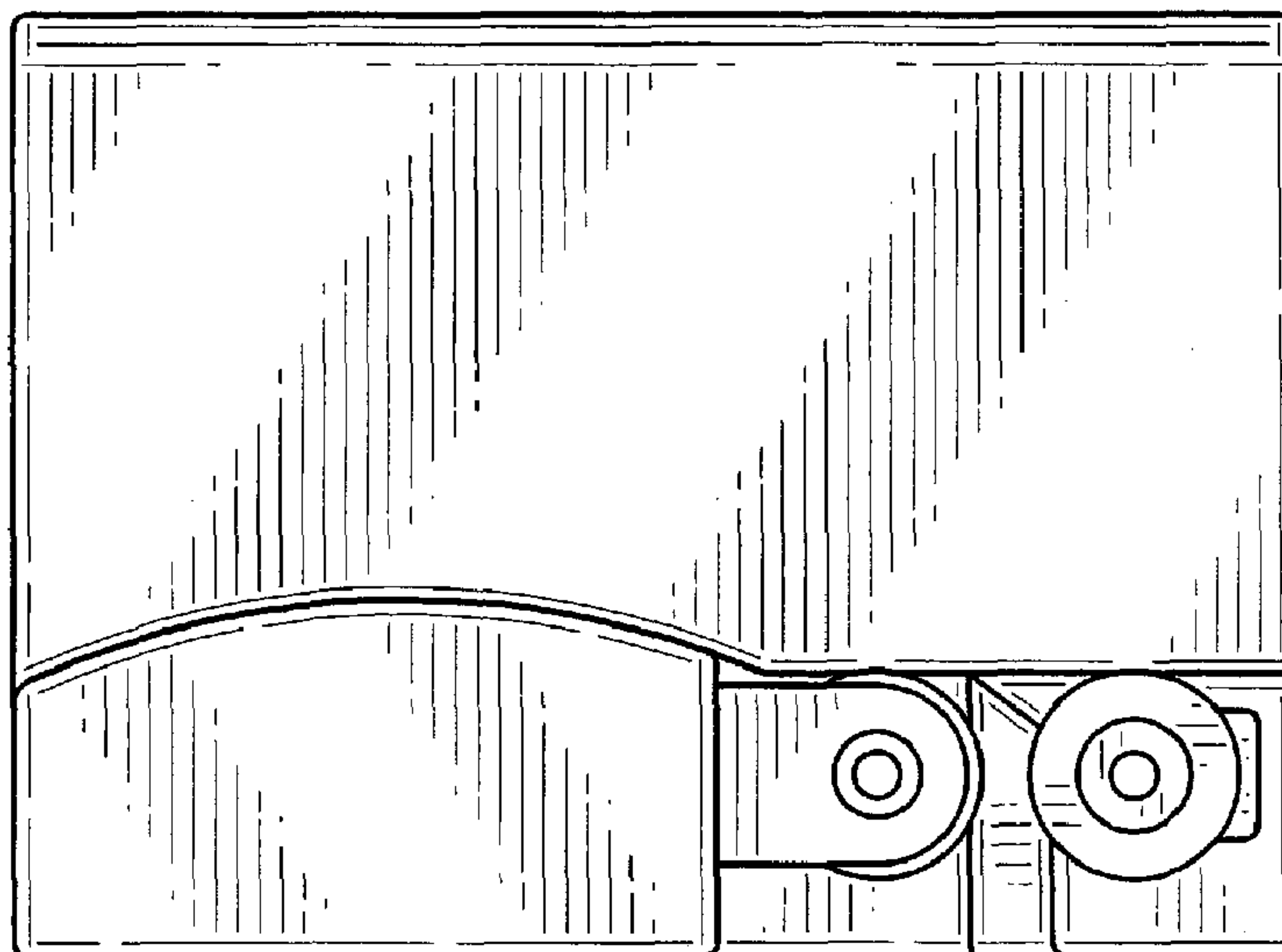


FIG-6