



US00D666642S

(12) **United States Design Patent**  
**Buhr et al.**

(10) **Patent No.:** **US D666,642 S**

(45) **Date of Patent:** **\*\* Sep. 4, 2012**

(54) **CHISEL HOLDER**

(75) Inventors: **Karsten Buhr**, Willroth (DE); **Thomas Lehnert**, Oberraden (DE); **Cyrus Barimani**, Koenigswinter (DE); **Guenter Haehn**, Koenigswinter (DE)

(73) Assignee: **Wirtgen GmbH** (DE)

(\*\*) Term: **14 Years**

(21) Appl. No.: **29/408,553**

(22) Filed: **Dec. 14, 2011**

(30) **Foreign Application Priority Data**

Jul. 4, 2011 (EM) ..... 001886748

(51) **LOC (9) Cl.** ..... **15-09**

(52) **U.S. Cl.** ..... **D15/140**

(58) **Field of Classification Search** ..... D8/70-74;  
D15/131, 132, 138, 139, 140; 206/349; 209/106;  
299/102-103, 105, 106-110; 408/204; 411/82.2,  
411/82.5, 257, 258, 901-903, 914, 916, 930  
See application file for complete search history.

(56) **References Cited**

**U.S. PATENT DOCUMENTS**

5,186,575	A	2/1993	Wirtgen	
5,378,050	A	1/1995	Kammerer et al.	
5,529,384	A *	6/1996	Ojanen et al.	299/107
5,573,308	A	11/1996	Simons et al.	
5,683,144	A	11/1997	Kammerer et al.	
6,244,665	B1 *	6/2001	Bise et al.	299/106
6,619,756	B1	9/2003	Holl et al.	
6,619,757	B1	9/2003	Kammerer	
6,644,755	B1	11/2003	Kammerer	
6,764,140	B2 *	7/2004	Carson et al.	299/79.1
6,866,343	B2	3/2005	Holl et al.	

7,086,704	B2	8/2006	Holl et al.	
7,300,115	B2	11/2007	Holl et al.	
D567,270	S *	4/2008	Chiang	D15/140
D574,689	S	8/2008	Holl et al.	
D575,610	S	8/2008	Holl et al.	
7,461,903	B2	12/2008	Tewes et al.	
D585,259	S	1/2009	Holl et al.	

(Continued)

**FOREIGN PATENT DOCUMENTS**

EM 001848938 4/2011

**OTHER PUBLICATIONS**

U.S. Appl. No. 29/408,551, filed Dec. 14, 2011 to Buhr et al.

(Continued)

*Primary Examiner* — Patricia Palasik

(74) *Attorney, Agent, or Firm* — Wadley & Patterson, P.C.;  
Lucian Wayne Beavers

(57) **CLAIM**

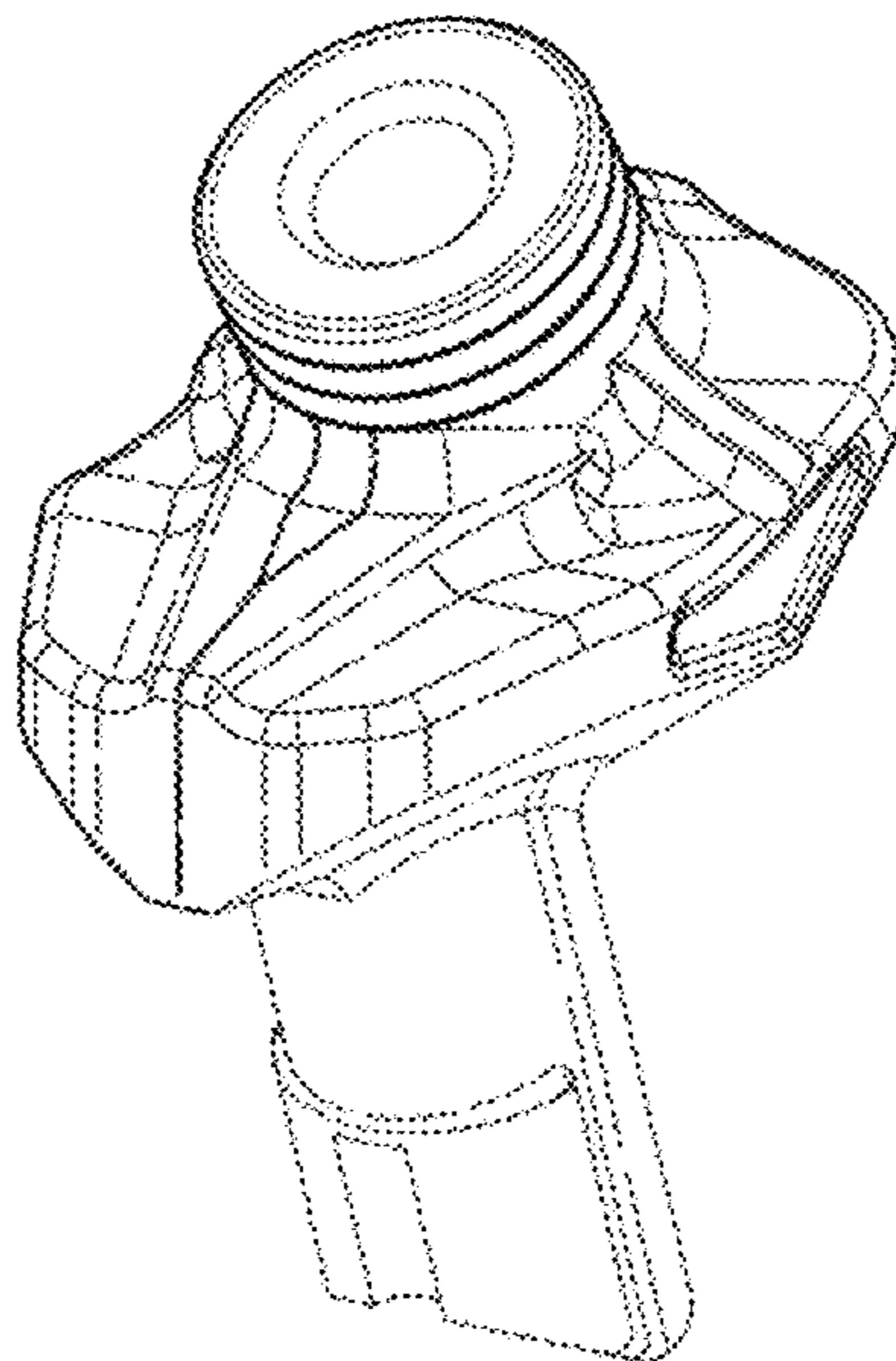
What is claimed is the ornamental design for a chisel holder, as shown and described.

**DESCRIPTION**

FIG. 1 is an upper front perspective view of the chisel holder. FIG. 2 is a front elevation view of the chisel holder of FIG. 1. FIG. 3 is a rear elevation view of the chisel holder of FIG. 1. FIG. 4 is a top view of the chisel holder of FIG. 1. FIG. 5 is a left side elevation view of the chisel holder of FIG. 1; and, FIG. 6 is a right side elevation view of the chisel holder of FIG. 1.

The broken lines are shown for environmental purposes only and form no part of the claimed design.

**1 Claim, 6 Drawing Sheets**



# US D666,642 S

Page 2

---

## U.S. PATENT DOCUMENTS

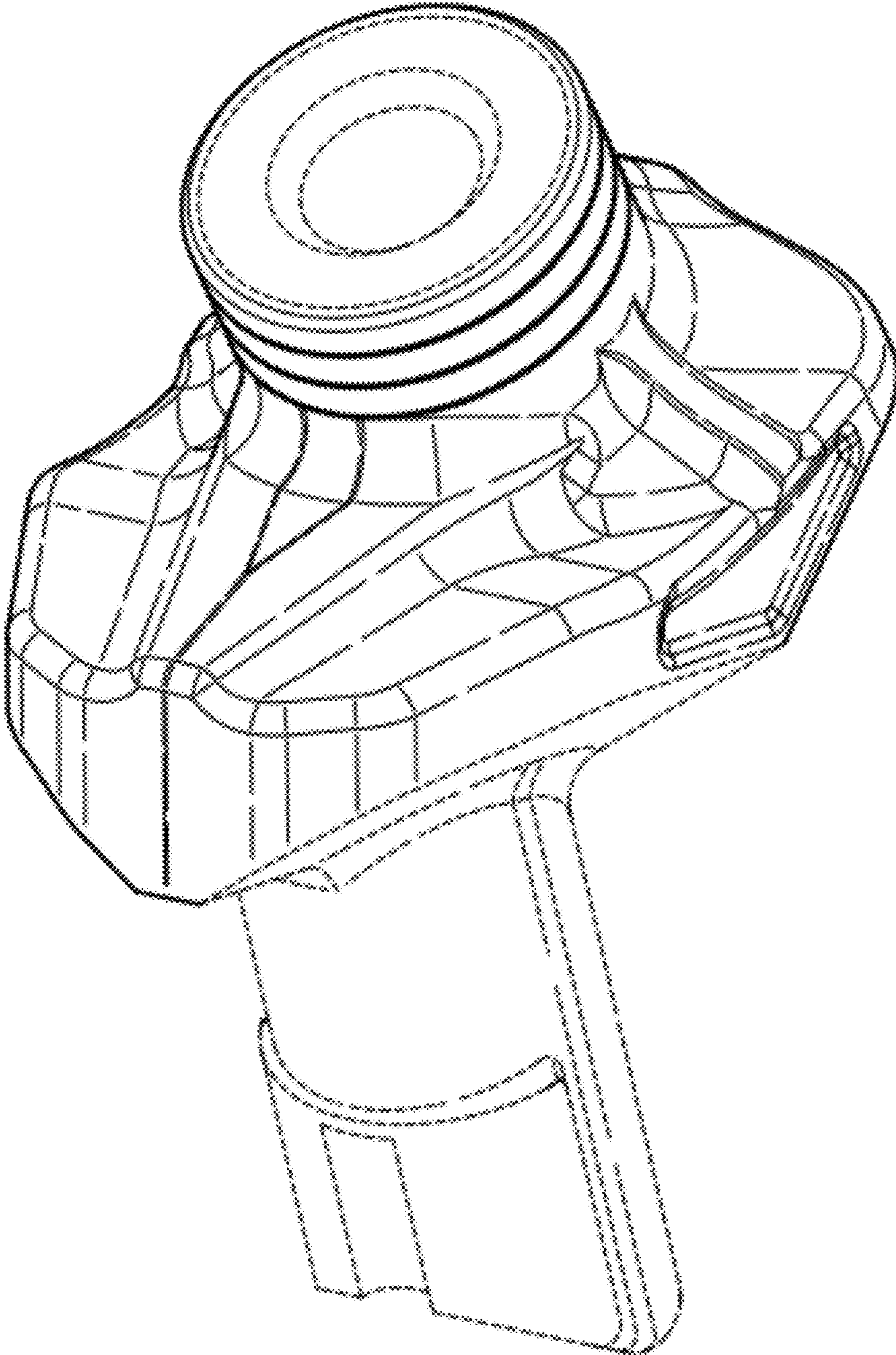
7,475,949 B2 \* 1/2009 Helsel et al. .... 299/108  
7,537,288 B2 \* 5/2009 Chiang ..... 299/102  
7,547,075 B2 6/2009 Tewes et al.  
7,597,402 B2 10/2009 Tewes et al.  
7,784,875 B2 8/2010 Holl et al.  
7,922,256 B2 4/2011 Kammerer et al.  
7,922,257 B2 4/2011 Kammerer  
D638,453 S 5/2011 Buhr et al.  
8,061,783 B2 \* 11/2011 Keller et al. .... 299/102  
D657,648 S \* 4/2012 Wachsmann ..... D8/71  
2006/0119165 A1 \* 6/2006 Holl et al. .... 299/106  
2009/0085396 A1 \* 4/2009 Chiang ..... 299/102

2009/0293249 A1 12/2009 Lehnert et al.  
2011/0006588 A1 \* 1/2011 Monyak et al. .... 299/107  
2011/0148178 A1 6/2011 Lehnert et al.  
2011/0148179 A1 6/2011 Lehnert et al.

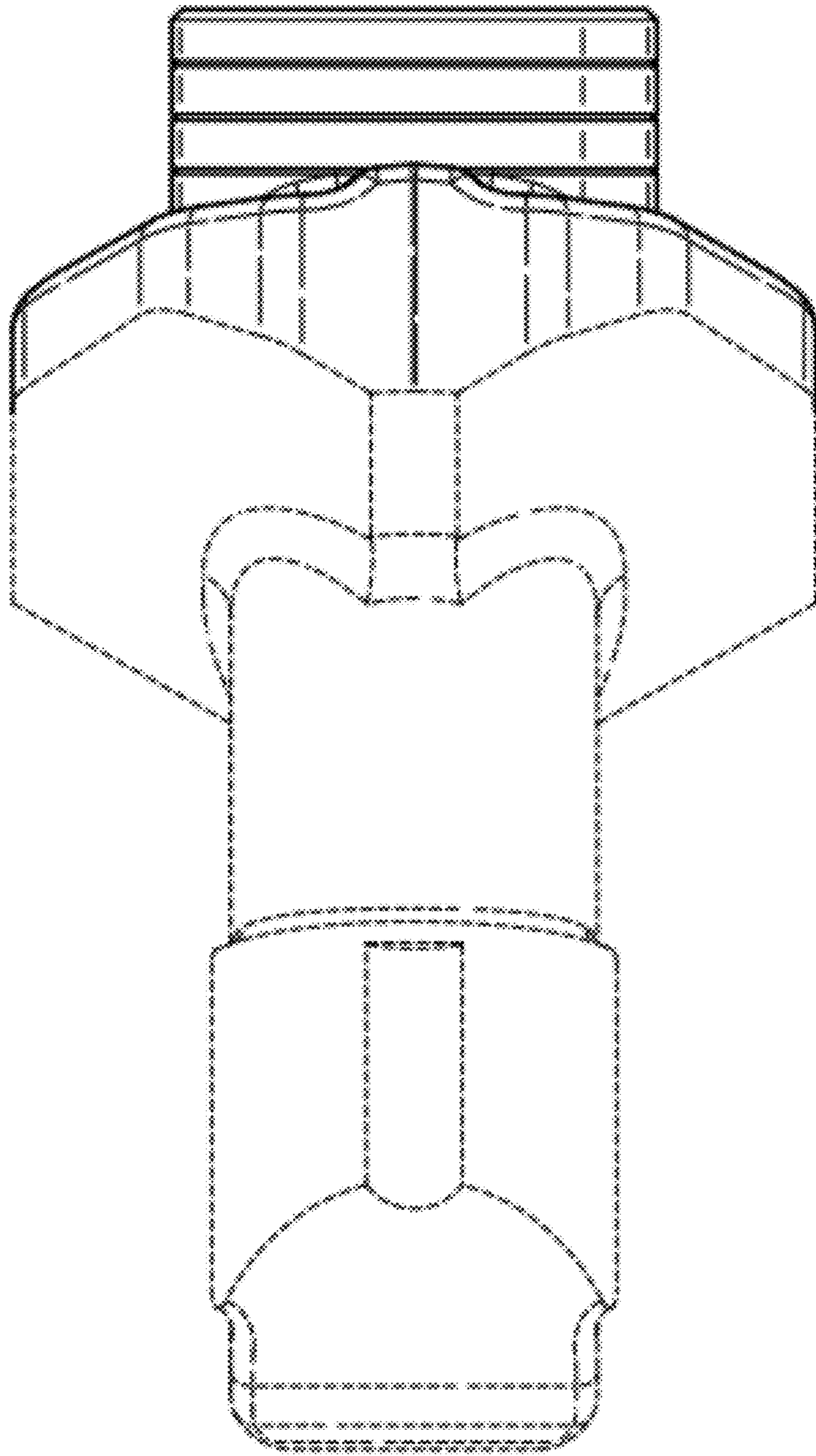
## OTHER PUBLICATIONS

U.S. Appl. No. 29/408,553, filed Dec. 14, 2011 to Buhr et al.  
U.S. Appl. No. 29/408,554, filed Dec. 14, 2011 to Buhr et al.  
U.S. Appl. No. 29/408,555, filed Dec. 14, 2011 to Buhr et al.  
Kennametal Inc. brochure entitled "CB10HD Replacement Toolholders", 2 pp., 2008.

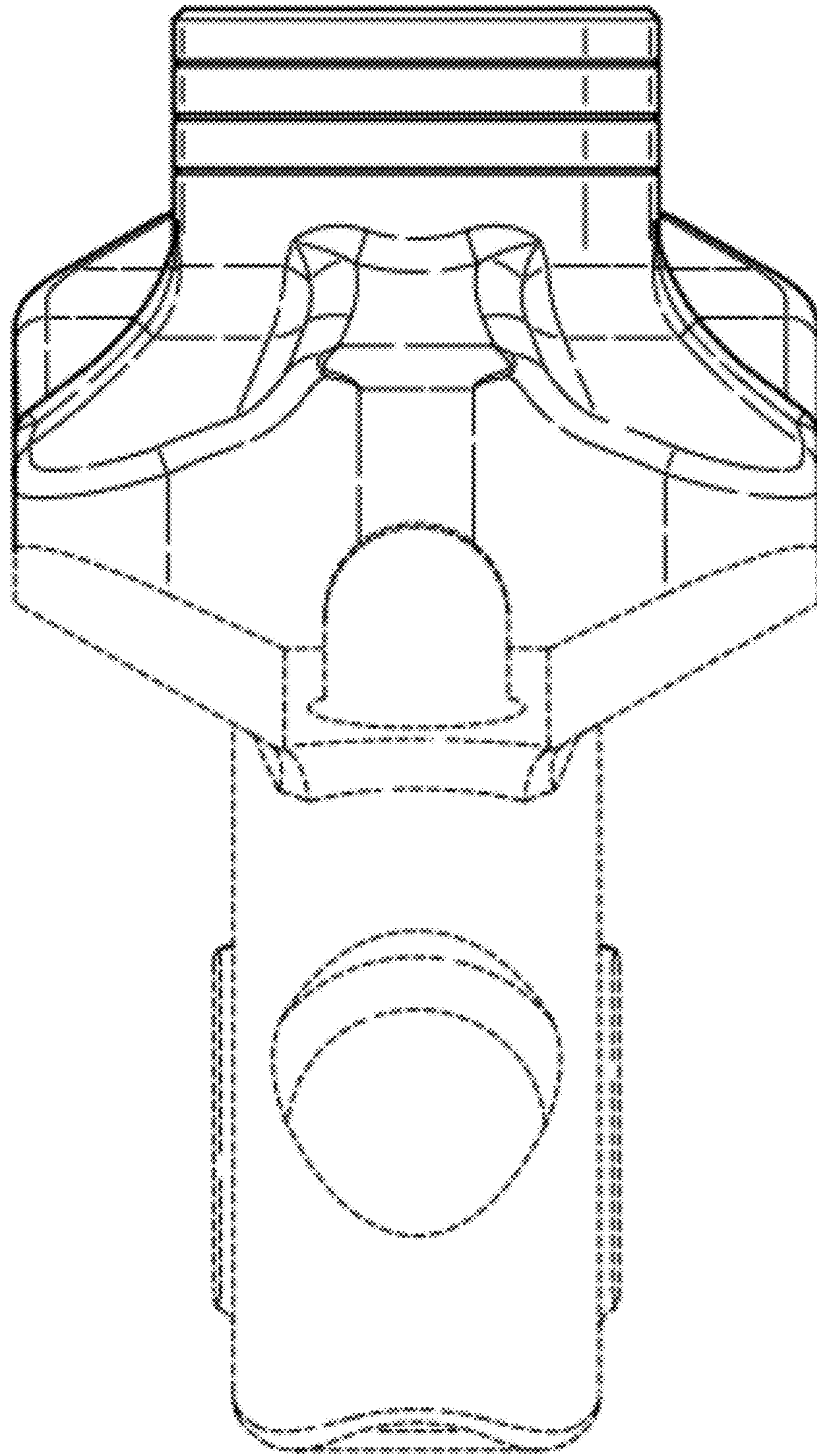
\* cited by examiner



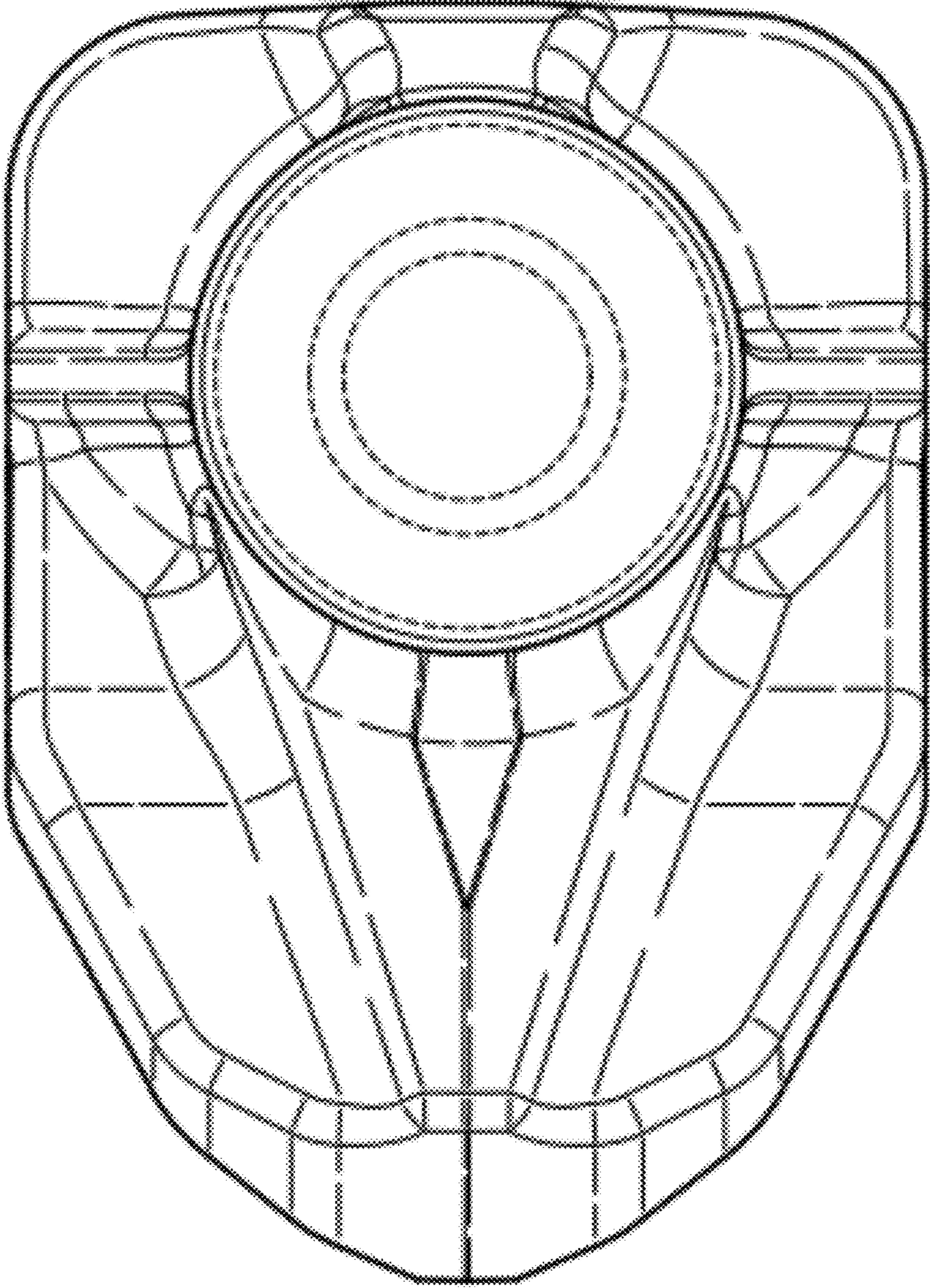
***FIG. 1***



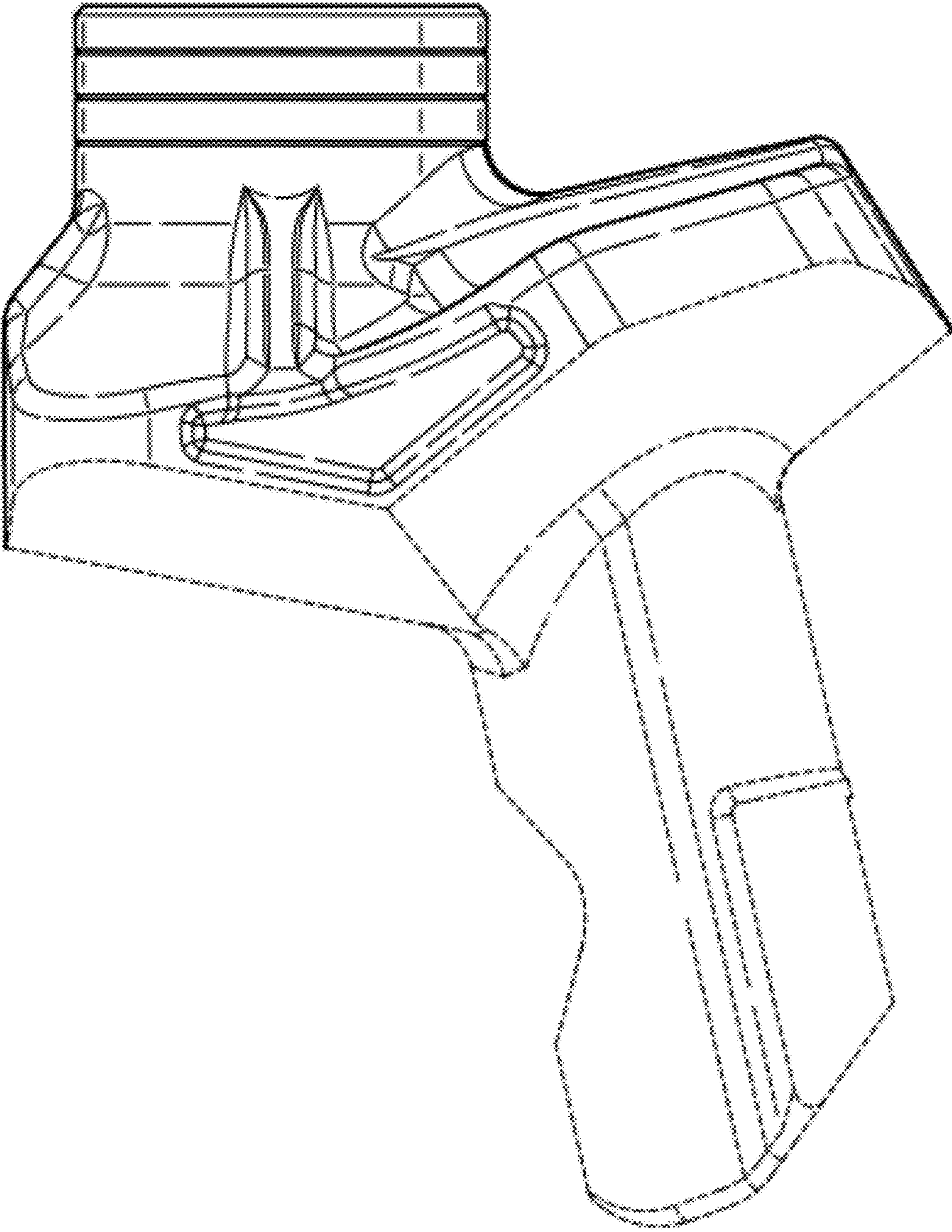
**FIG. 2**



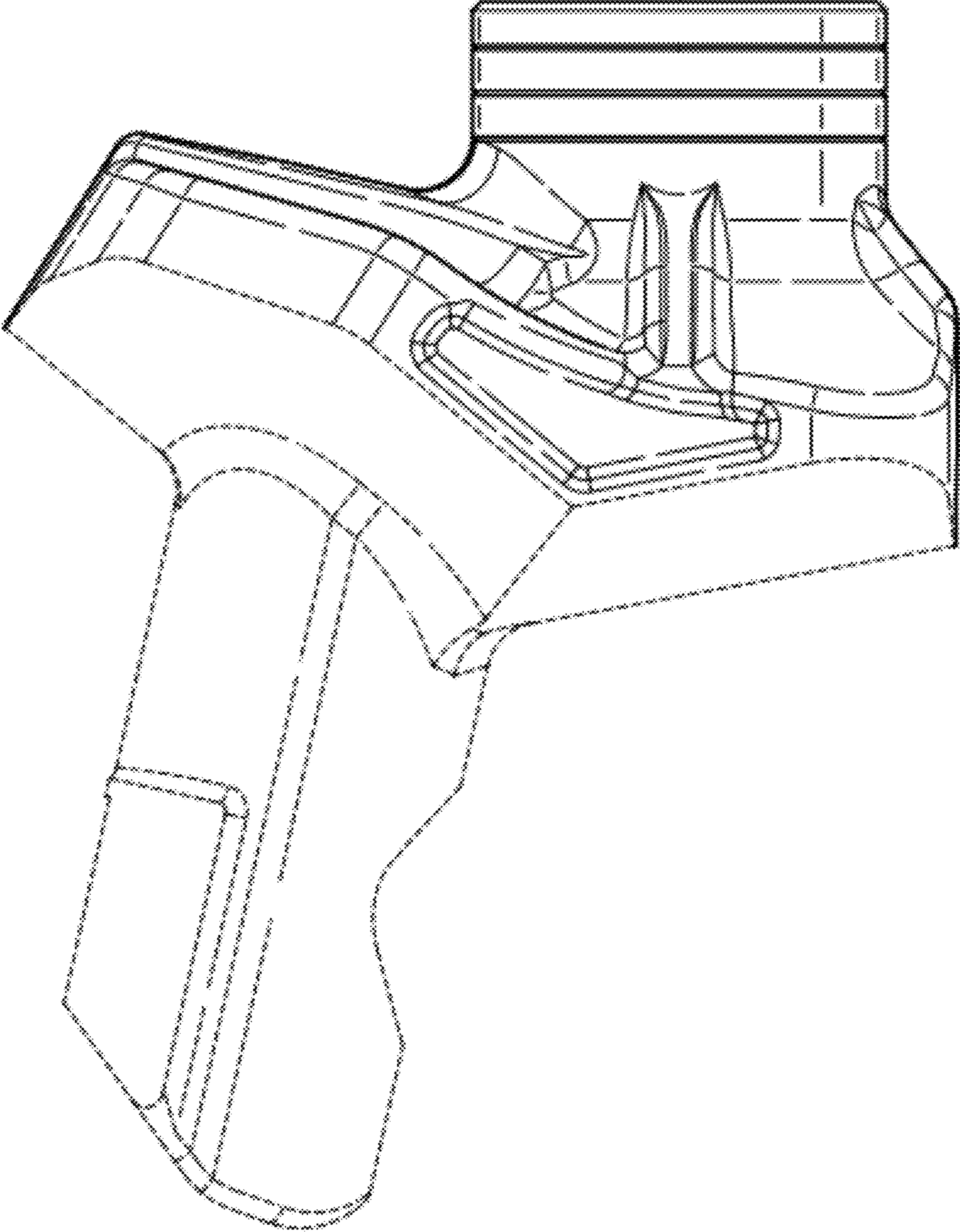
***FIG. 3***



***FIG. 4***



**FIG. 5**



**FIG. 6**