

US00D666640S

(12) **United States Design Patent**
Cox et al.

(10) **Patent No.:** **US D666,640 S**
(45) **Date of Patent:** **** *Sep. 4, 2012**

(54) **CUTTING TOOL**

(75) Inventors: **William W. Cox**, Louisville, KY (US);
George R. Sotsky, Louisville, KY (US)

(73) Assignee: **Republic Machine, Inc.**, Louisville, KY
(US)

(*) Notice: This patent is subject to a terminal disclaimer.

(**) Term: **14 Years**

(21) Appl. No.: **29/394,066**

(22) Filed: **Jun. 13, 2011**

Related U.S. Application Data

(63) Continuation of application No. 13/111,468, filed on May 19, 2011, which is a continuation-in-part of application No. 12/488,166, filed on Jun. 19, 2009, now Pat. No. 7,959,099.

(51) **LOC (9) Cl.** **15-09**

(52) **U.S. Cl.** **D15/139**

(58) **Field of Classification Search** D8/70;
D15/138, 139, 140; 407/35, 42, 77, 107-120
See application file for complete search history.

(56) **References Cited**

U.S. PATENT DOCUMENTS

| | | | |
|---------------|---------|-----------------|--------|
| 2,660,242 A | 11/1953 | Lane | |
| 3,662,444 A | 5/1972 | Erkfritz | |
| 3,694,876 A | 10/1972 | Erkfritz | |
| 3,716,900 A | 2/1973 | Erkfritz | |
| 3,818,561 A * | 6/1974 | Montana et al. | 407/46 |
| 4,247,232 A | 1/1981 | McCreery et al. | |
| 4,507,024 A | 3/1985 | Stashko | |
| 4,785,860 A | 11/1988 | Arasmith | |

| | | | |
|---------------|---------|------------------|---------|
| 5,192,171 A | 3/1993 | Ther et al. | |
| 5,199,827 A | 4/1993 | Pantzar | |
| 5,207,748 A | 5/1993 | Katbi et al. | |
| D340,464 S | 10/1993 | Markusson et al. | |
| 5,454,671 A * | 10/1995 | Qvarth | 407/42 |
| D367,866 S | 3/1996 | Pantzar et al. | |
| D369,362 S | 4/1996 | Pantzar et al. | |
| 5,544,984 A | 8/1996 | Pantzar | |
| 5,653,274 A | 8/1997 | Johnson et al. | |
| 5,653,275 A * | 8/1997 | Stewart | 144/373 |

(Continued)

FOREIGN PATENT DOCUMENTS

DE 4005647 A1 8/1990

Primary Examiner — Patricia Palasik

(74) *Attorney, Agent, or Firm* — James E. Cole; Middleton Reutlinger

(57) **CLAIM**

The ornamental design for a cutting tool, as shown and described.

DESCRIPTION

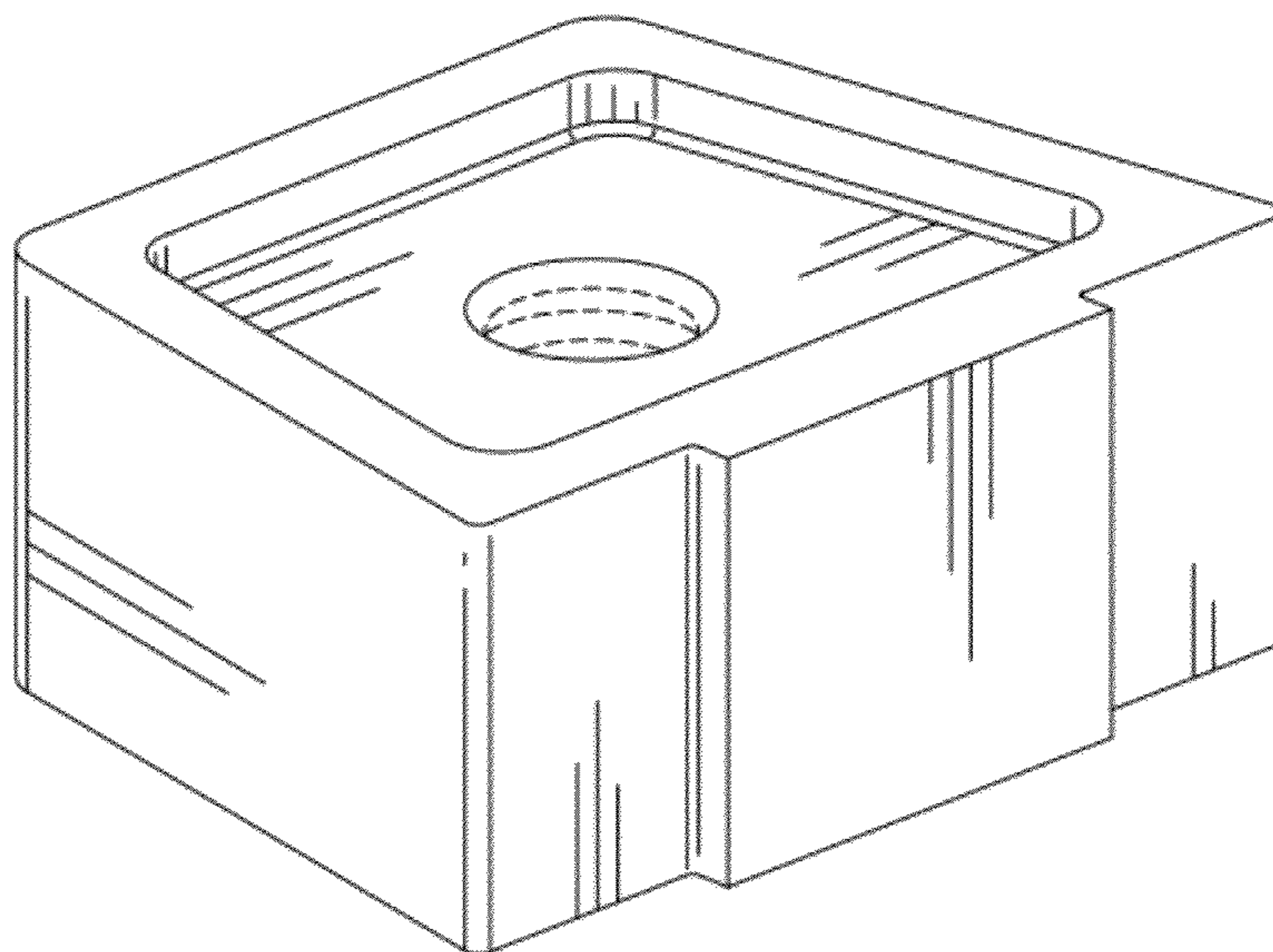
FIG. 1 is a lower front perspective view of the cutting tool design;

FIG. 2 is an upper rear perspective view of the cutting tool design of FIG. 1;

FIG. 3 is a front view of the cutting tool design of FIG. 1 wherein the rear view is a mirror image and is not included; FIG. 4 is a left side view of the cutting tool design of FIG. 1 wherein the right side view is a mirror image and is not included;

FIG. 5 is a top view of the cutting tool design of FIG. 1; and, FIG. 6 is a bottom view of the cutting tool design of FIG. 1. The broken lines showing environmental structure are for illustrative purposes only and form no part of the claimed design.

1 Claim, 6 Drawing Sheets



US D666,640 S

Page 2

U.S. PATENT DOCUMENTS

| | | | | | | | |
|--------------|------|---------|-------------------------|-----------|--|--|--|
| D409,633 | S | 5/1999 | Bernadic et al. | | | | |
| 6,035,844 | A | 3/2000 | Otani et al. | | | | |
| 6,059,210 | A * | 5/2000 | Smith | 241/189.1 | | | |
| 6,142,400 | A * | 11/2000 | Balvanz et al. | 241/191 | | | |
| 6,158,928 | A | 12/2000 | Hecht | | | | |
| 6,176,445 | B1 | 1/2001 | Shinn | | | | |
| 6,234,724 | B1 | 5/2001 | Satran et al. | | | | |
| 6,305,623 | B1 | 10/2001 | Sotsky et al. | | | | |
| 6,422,495 | B1 | 7/2002 | De Boef et al. | | | | |
| 6,523,768 | B2 | 2/2003 | Recker et al. | | | | |
| 6,640,853 | B1 | 11/2003 | Sun | | | | |
| 6,698,477 | B1 | 3/2004 | Bennington | | | | |
| 6,742,970 | B2 * | 6/2004 | Oles et al. | 407/113 | | | |
| 6,837,453 | B2 | 1/2005 | Sturm | | | | |
| 6,848,640 | B2 | 2/2005 | Pallmann | | | | |
| 6,880,774 | B2 | 4/2005 | Bardos et al. | | | | |
| 6,983,904 | B2 | 1/2006 | Plahuta et al. | | | | |
| 7,055,770 | B2 | 6/2006 | Bardos | | | | |
| 7,100,855 | B2 | 9/2006 | Diemunsch | | | | |
| 7,213,779 | B2 | 5/2007 | Roozeboom et al. | | | | |
| D555,684 | S | 11/2007 | Waggle et al. | | | | |
| 7,293,729 | B2 | 11/2007 | Ragnarsson | | | | |
| 7,390,151 | B2 | 6/2008 | Martin et al. | | | | |
| 7,572,087 | B2 * | 8/2009 | Nagaya et al. | 407/113 | | | |
| 7,874,770 | B2 * | 1/2011 | Omori et al. | 407/119 | | | |
| D635,598 | S * | 4/2011 | Widin et al. | D15/139 | | | |
| 7,954,523 | B2 * | 6/2011 | Liu | 144/218 | | | |
| 2002/0031410 | A1 * | 3/2002 | Isaksson | 407/114 | | | |
| 2003/0061926 | A1 | 4/2003 | Sotsky | | | | |
| 2004/0028486 | A1 * | 2/2004 | Englund | 407/90 | | | |
| 2005/0129476 | A1 * | 6/2005 | Kammermeier et al. | 409/132 | | | |
| 2006/0102762 | A1 | 5/2006 | Garcia et al. | | | | |
| 2009/0008491 | A1 | 1/2009 | Sharp | | | | |

* cited by examiner

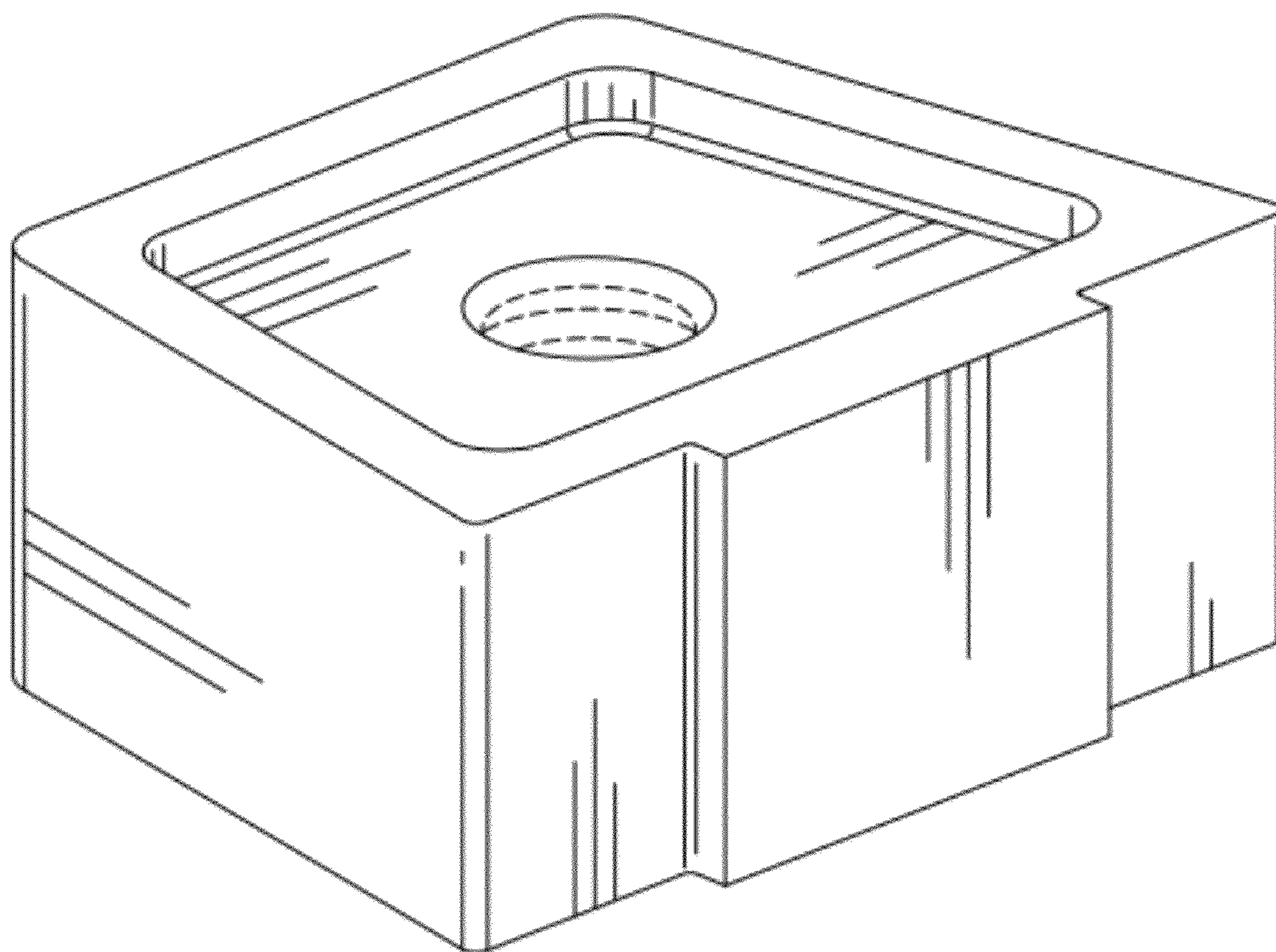


FIG. 1

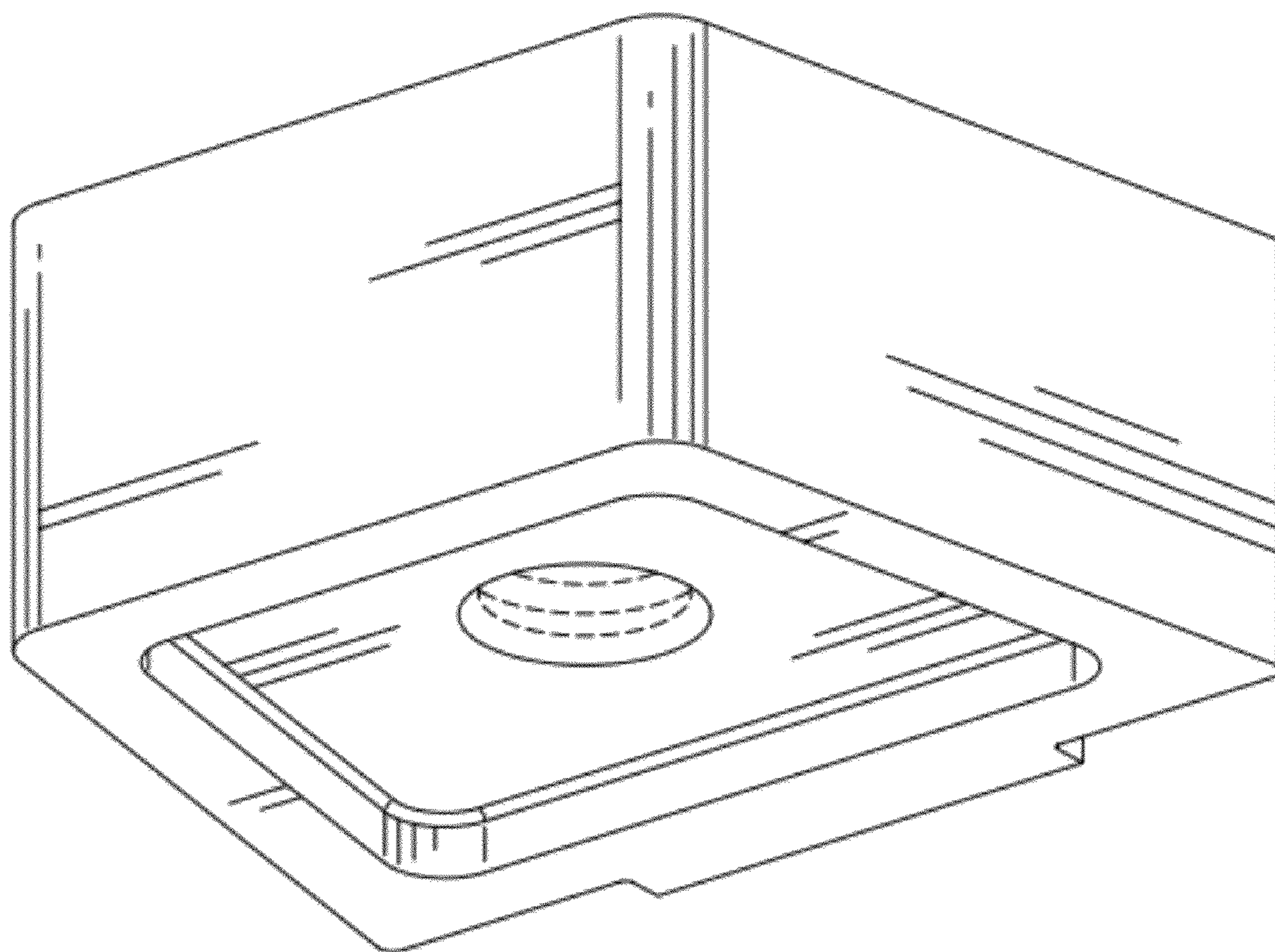


FIG. 2

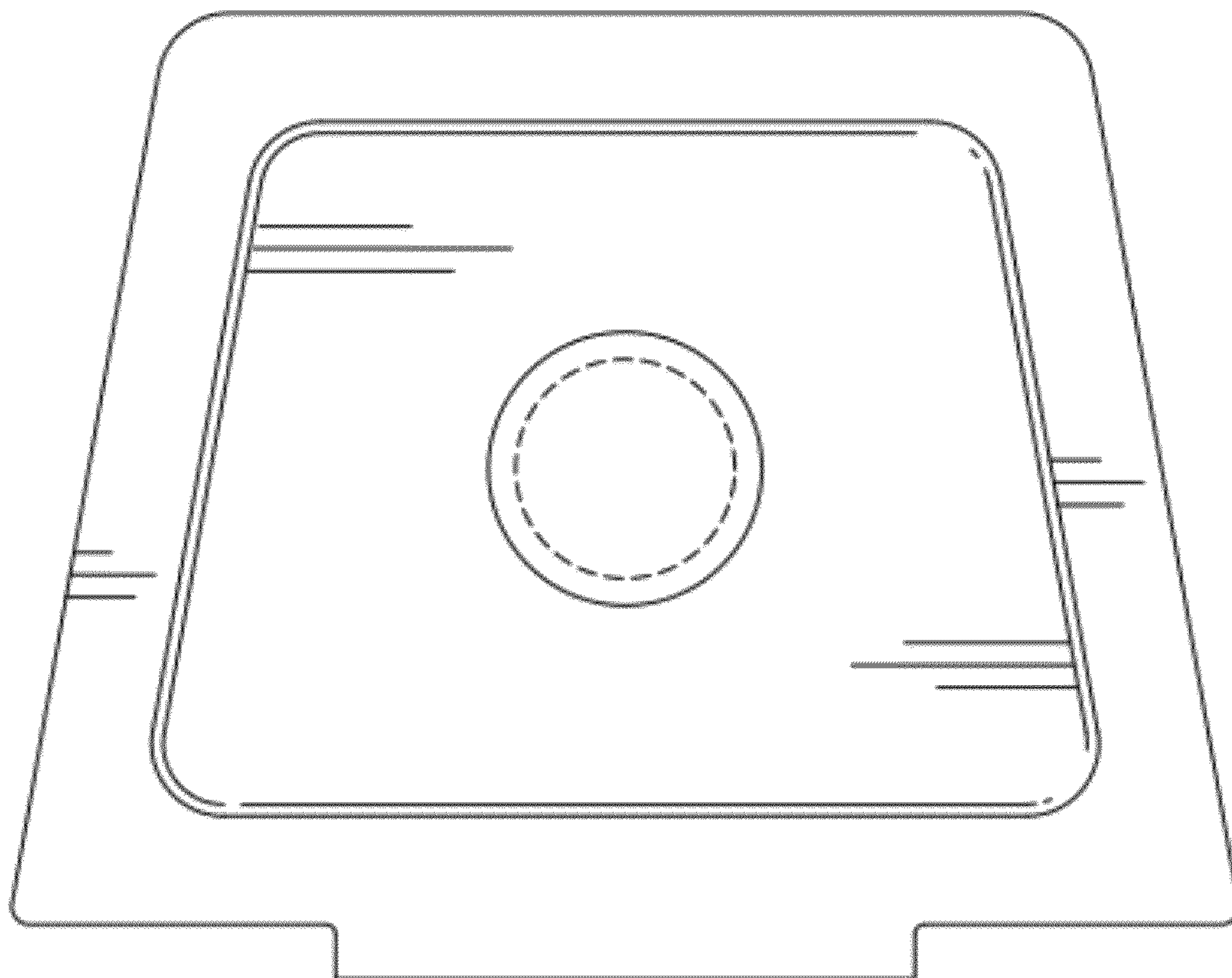


FIG. 3

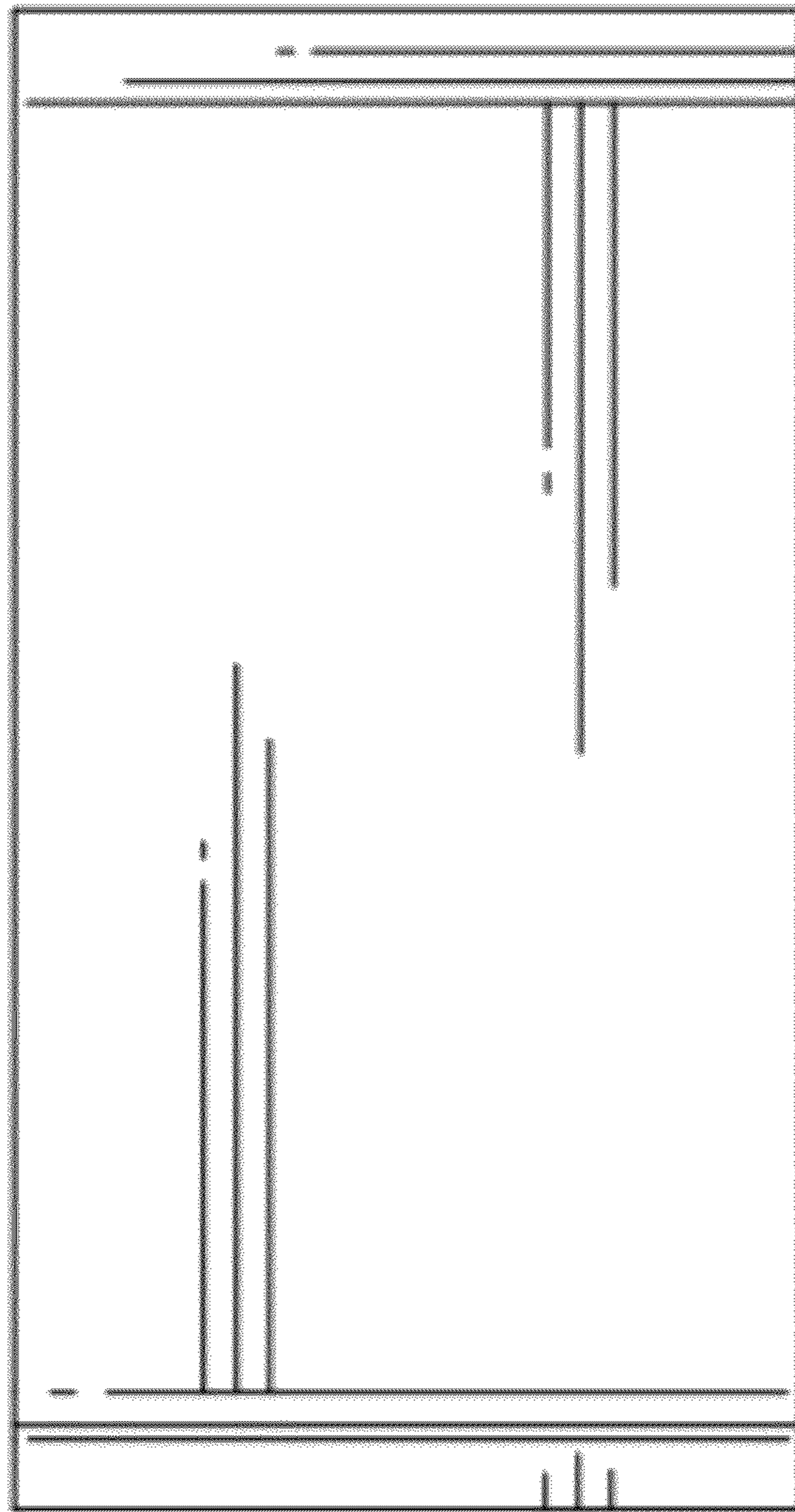


FIG. 4

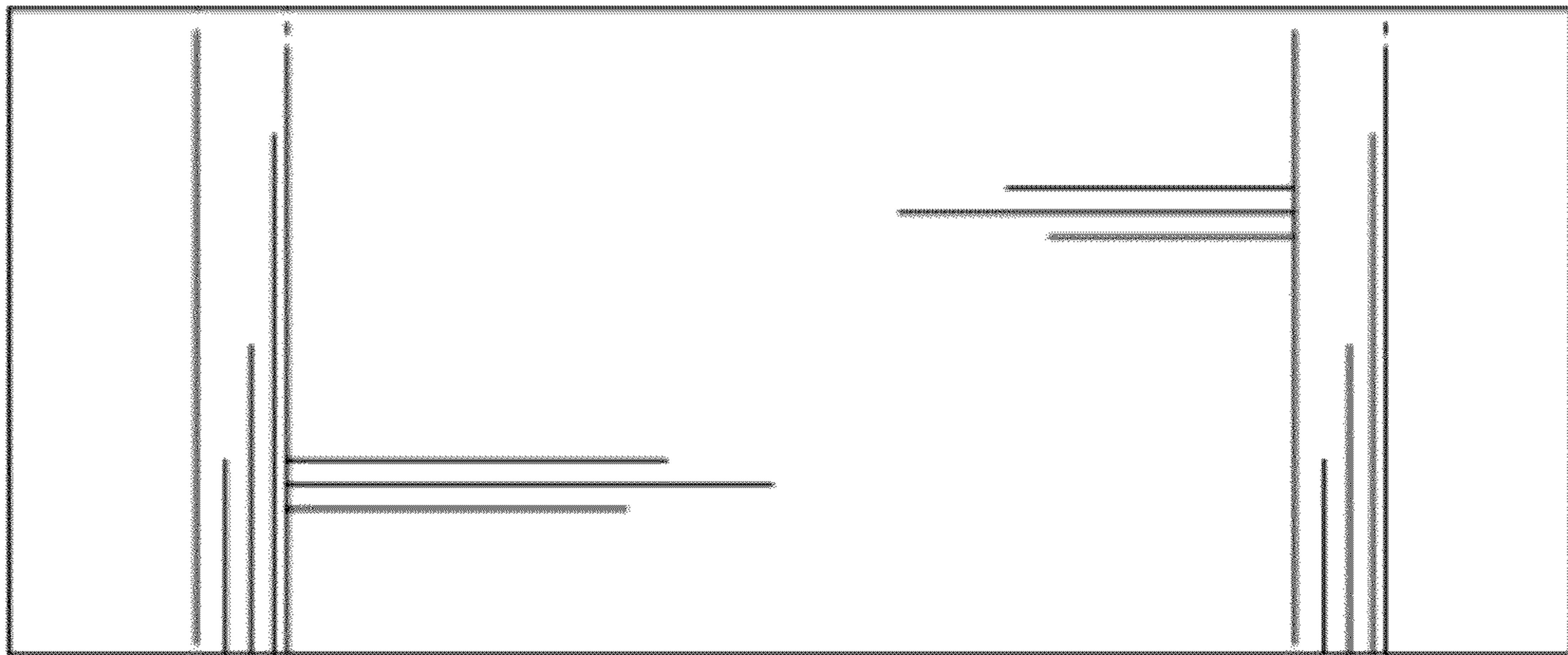


FIG. 5

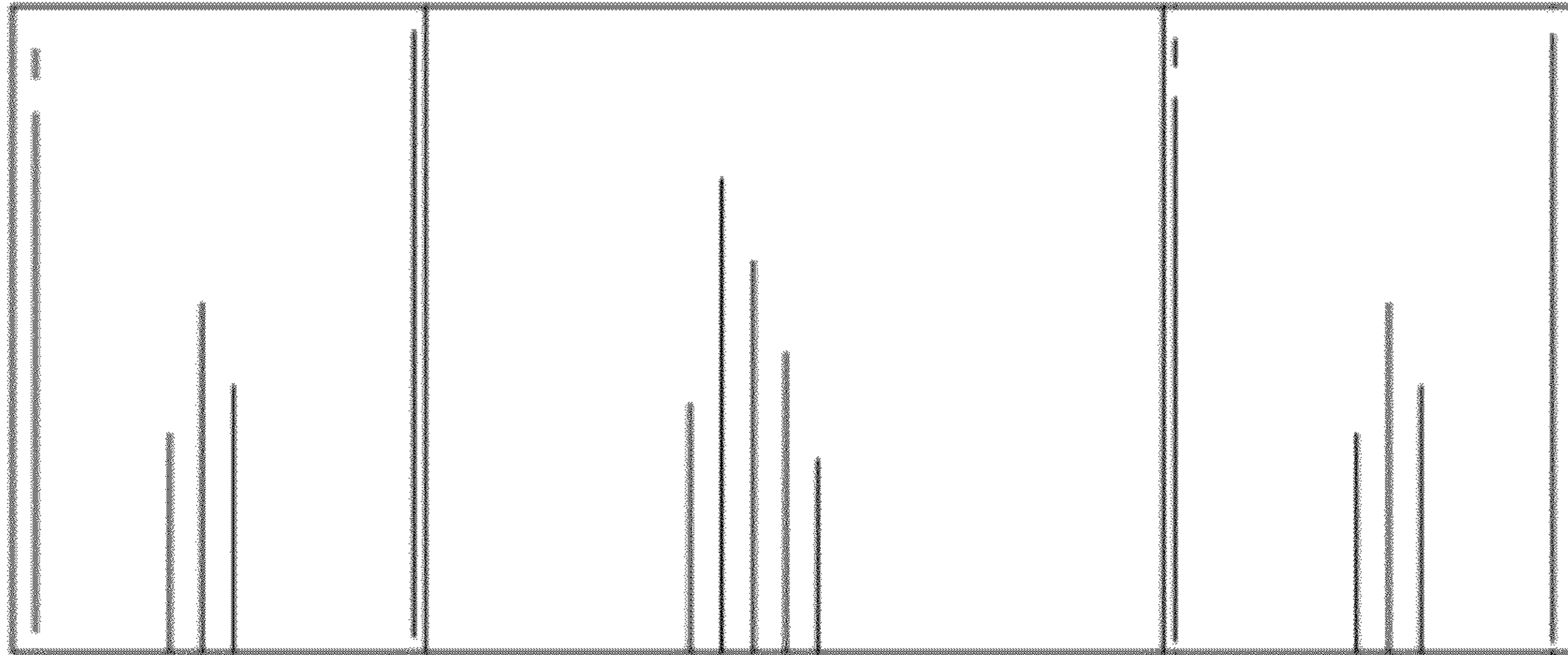


FIG. 6