



US00D666639S

(12) **United States Design Patent**  
**Rees**

(10) **Patent No.:** **US D666,639 S**

(45) **Date of Patent:** **\*\* Sep. 4, 2012**

(54) **MULTI-FEATURE MITRE SAW**

(75) **Inventor:** **Samuel Ryan Rees, Sheffield (GB)**

(73) **Assignee:** **Evolution Power Tools Limited, Sheffield (GB)**

(\*\*) **Term:** **14 Years**

(21) **Appl. No.:** **29/391,443**

(22) **Filed:** **May 9, 2011**

(51) **LOC (9) Cl.** ..... **15-09**

(52) **U.S. Cl.** ..... **D15/133**

(58) **Field of Classification Search** ..... D8/61,  
D8/64-69; D15/133, 134; 30/377-378,  
30/388-391; 83/377, 378, 388, 397, 468.3,  
83/469

See application file for complete search history.

(56) **References Cited**

**U.S. PATENT DOCUMENTS**

D421,267 S *	2/2000	Price et al.	.....	D15/133
D459,373 S *	6/2002	Hollinger et al.	.....	D15/133
D520,033 S *	5/2006	Firth	.....	D15/133
D535,670 S *	1/2007	Firth	.....	D15/133
D547,338 S *	7/2007	Firth	.....	D15/133

D608,375 S *	1/2010	Kokawa et al.	.....	D15/133
D623,204 S *	9/2010	Weusthof	.....	D15/133
D626,159 S *	10/2010	Jebb	.....	D15/133
D654,102 S *	2/2012	Bindhammer	.....	D15/133

\* cited by examiner

*Primary Examiner* — Patricia Palasik

(74) *Attorney, Agent, or Firm* — King & Schickli, PLLC

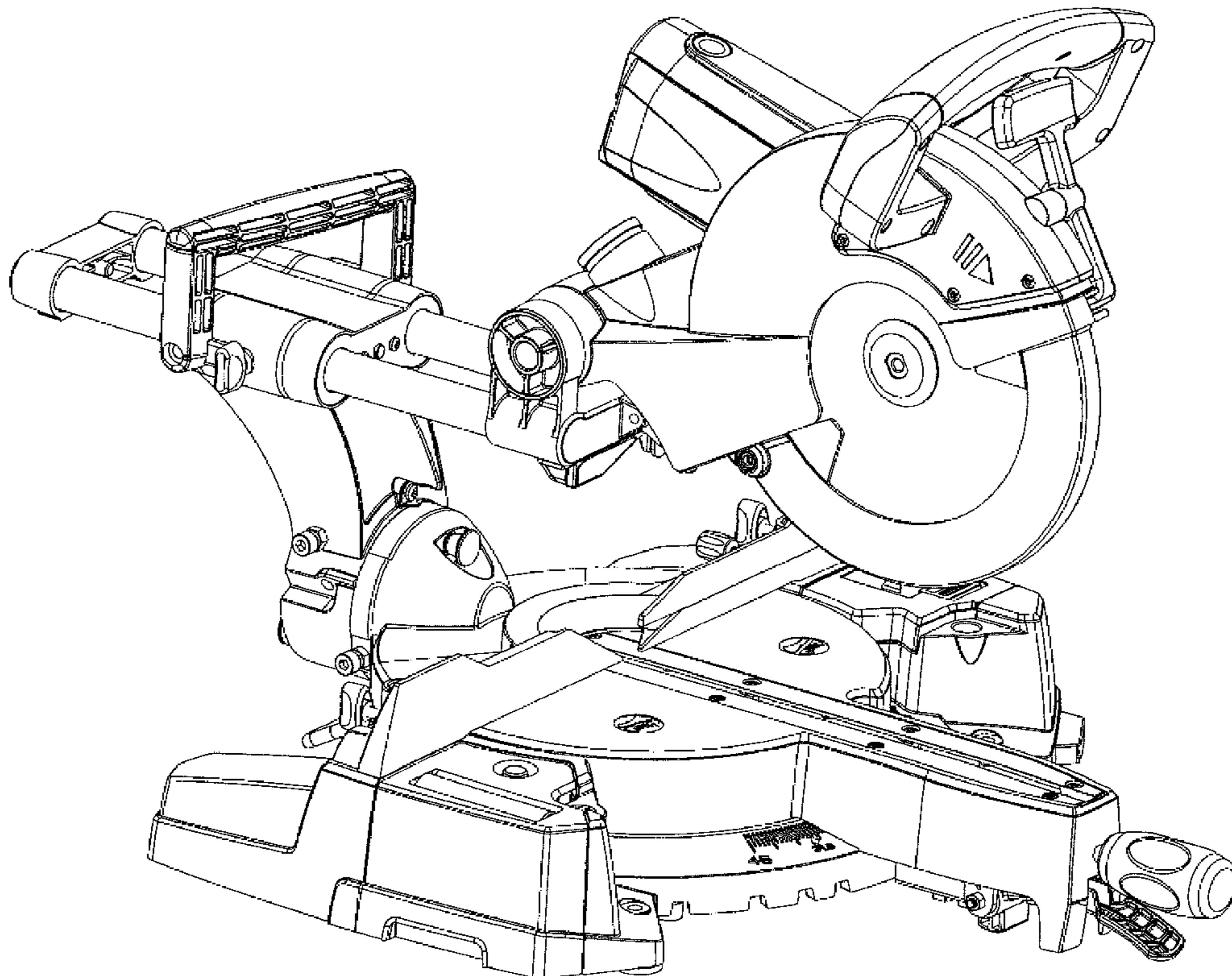
(57) **CLAIM**

The ornamental design for a multi-feature mitre saw, as shown and described.

**DESCRIPTION**

FIG. 1 is a front perspective view from above of a multi-feature mitre saw of the present invention;  
 FIG. 2 is a front perspective view from above and from the other side of the saw of FIG. 1;  
 FIG. 3 is side elevation from one side of the saw of FIGS. 1 and 2;  
 FIG. 4 is side elevation from the other side of the saw of FIGS. 1 and 2;  
 FIG. 5 is a front elevation of the saw of FIGS. 1 and 2;  
 FIG. 6 is a rear elevation of the saw of FIGS. 1 and 2; and,  
 FIG. 7 is a top plan view of the saw of FIGS. 1 and 2.

**1 Claim, 7 Drawing Sheets**



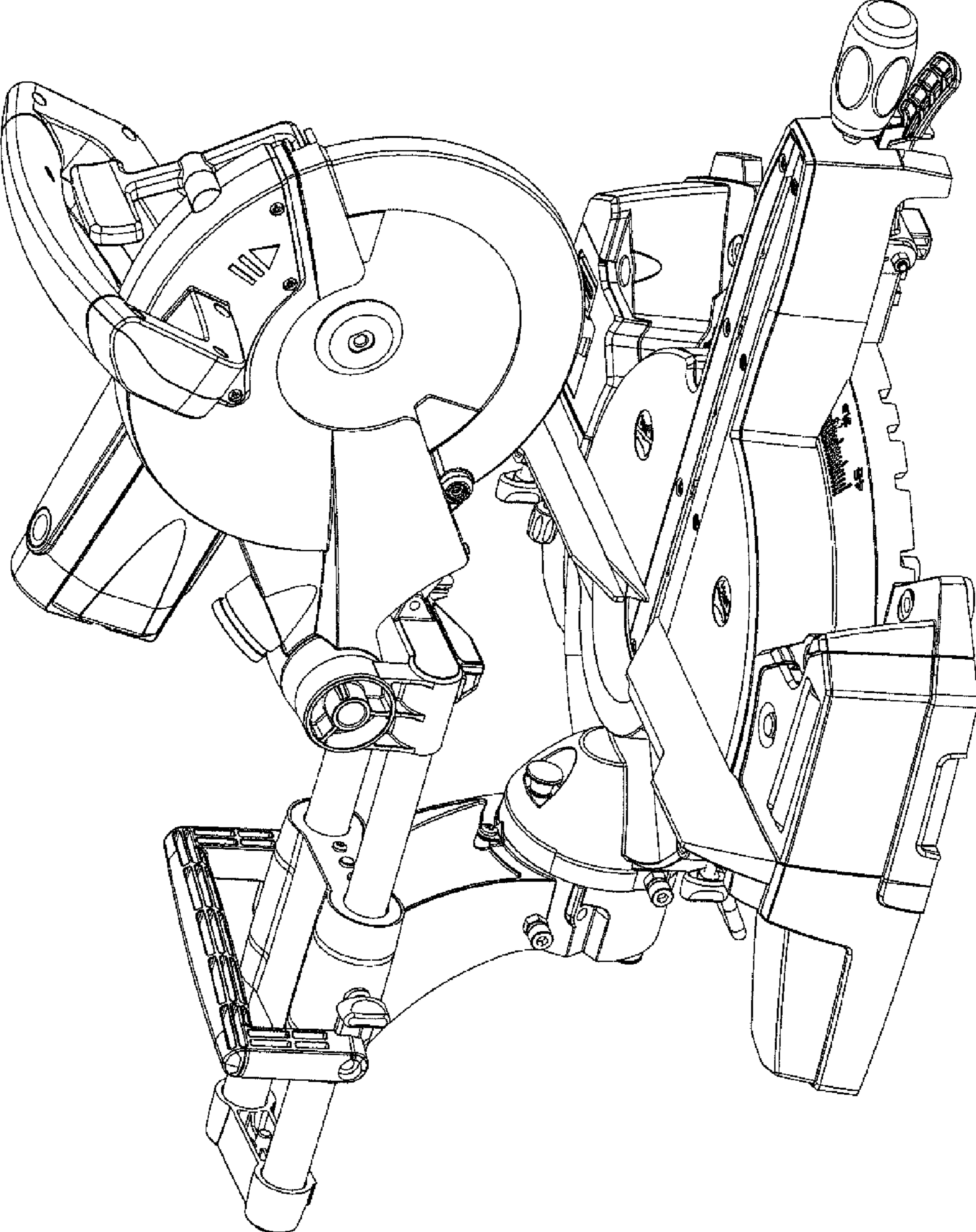


FIG. 1

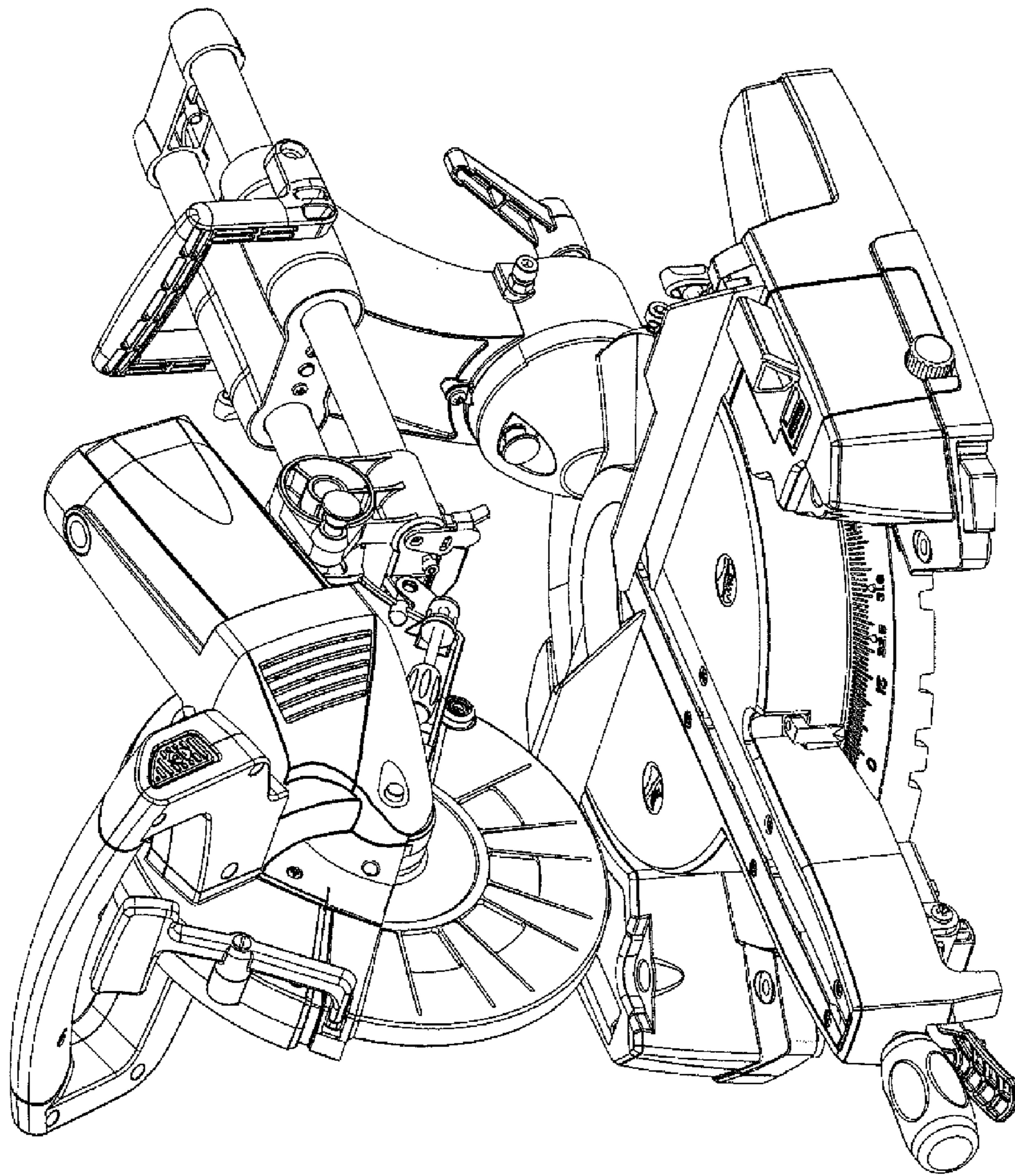


FIG. 2

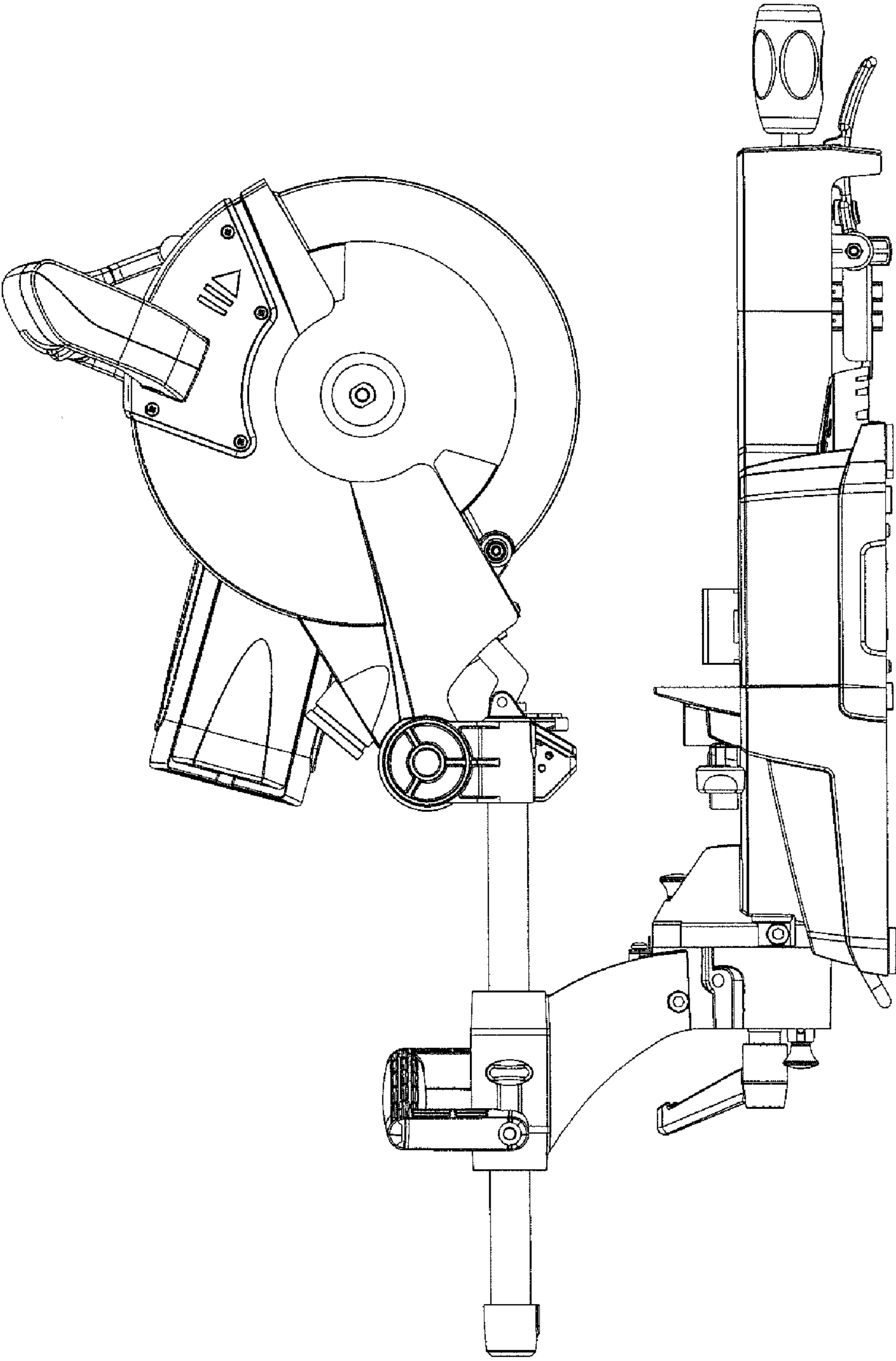


FIG. 3

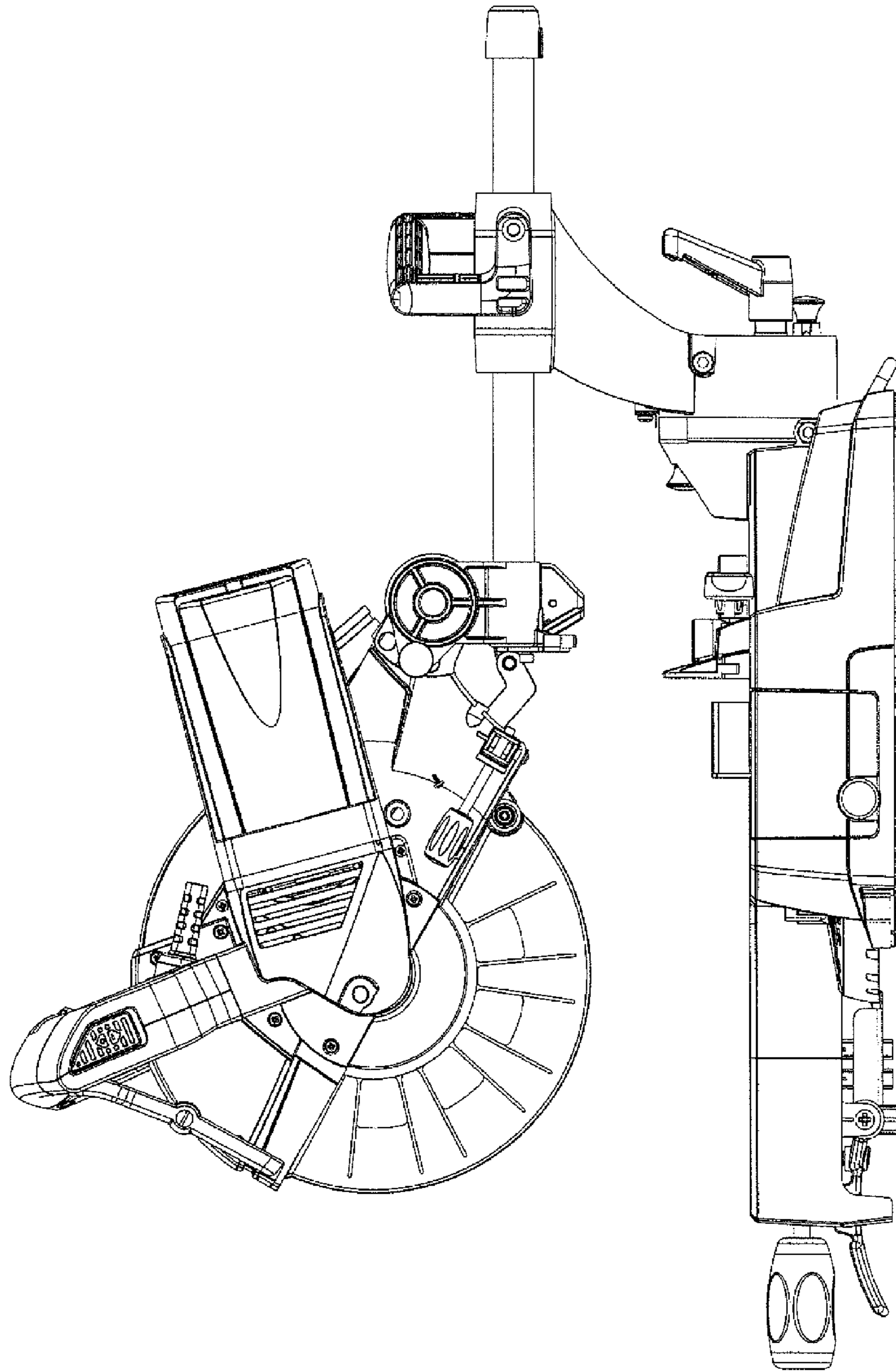


FIG. 4

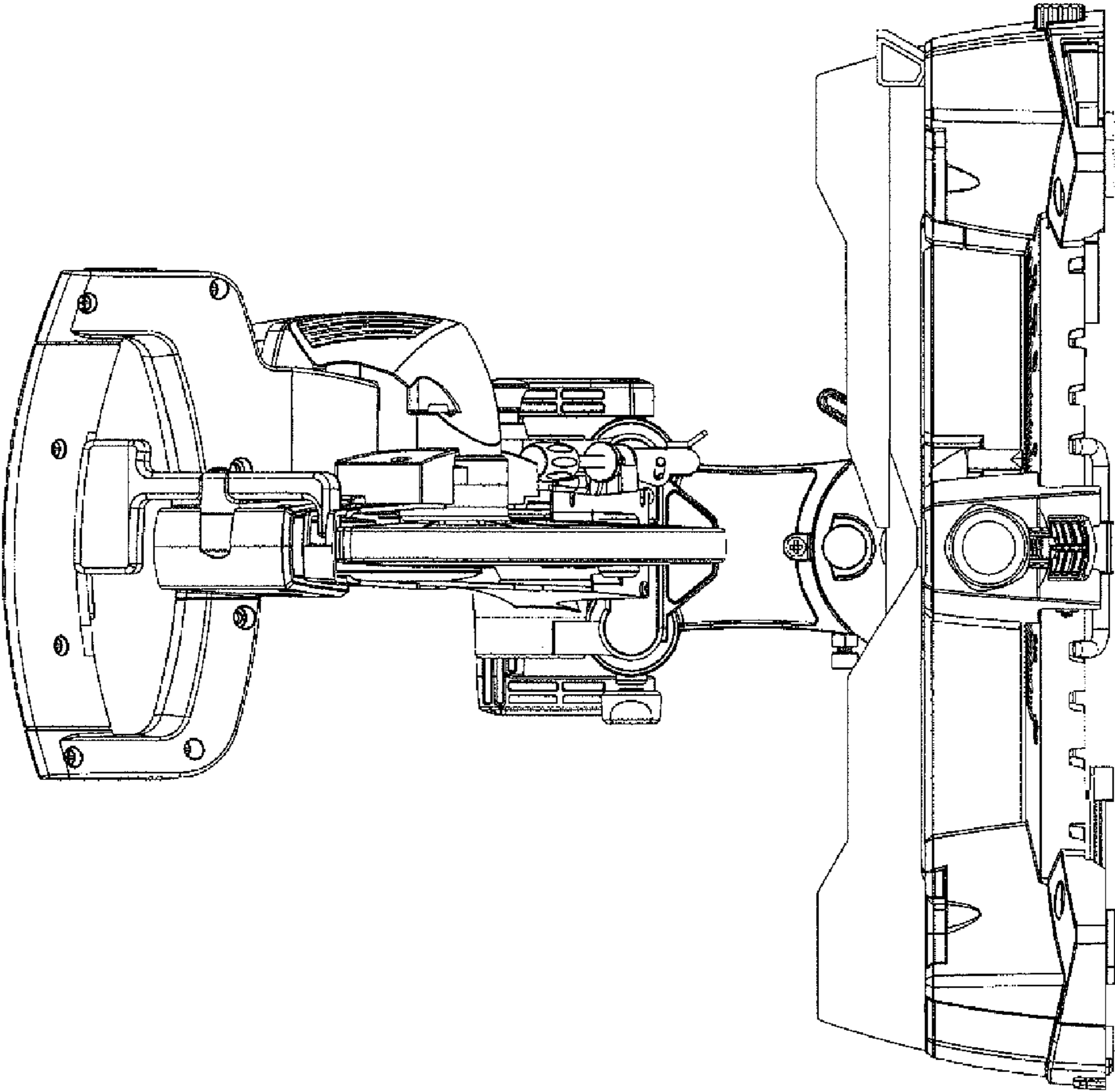


FIG. 5

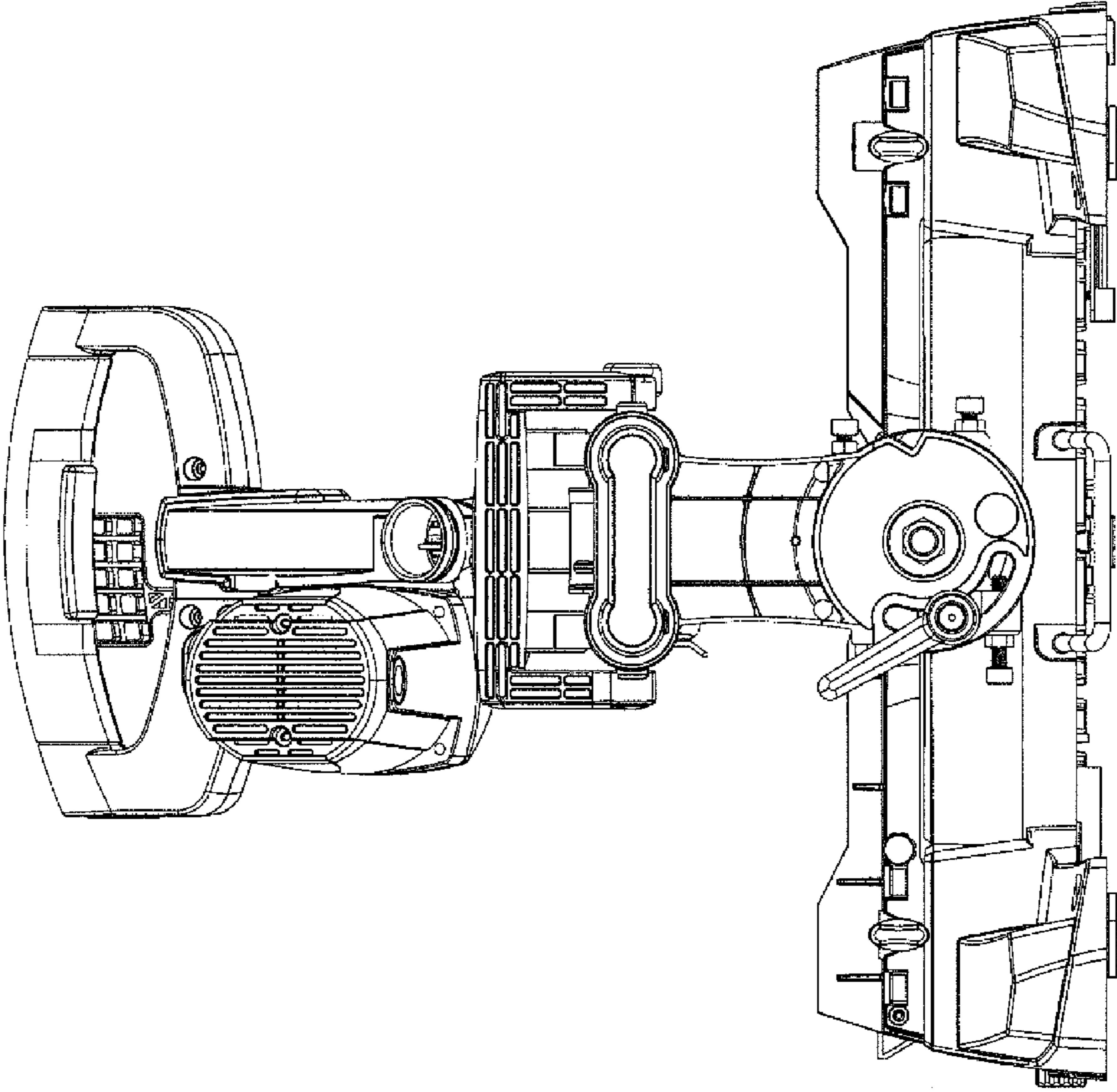


FIG. 6

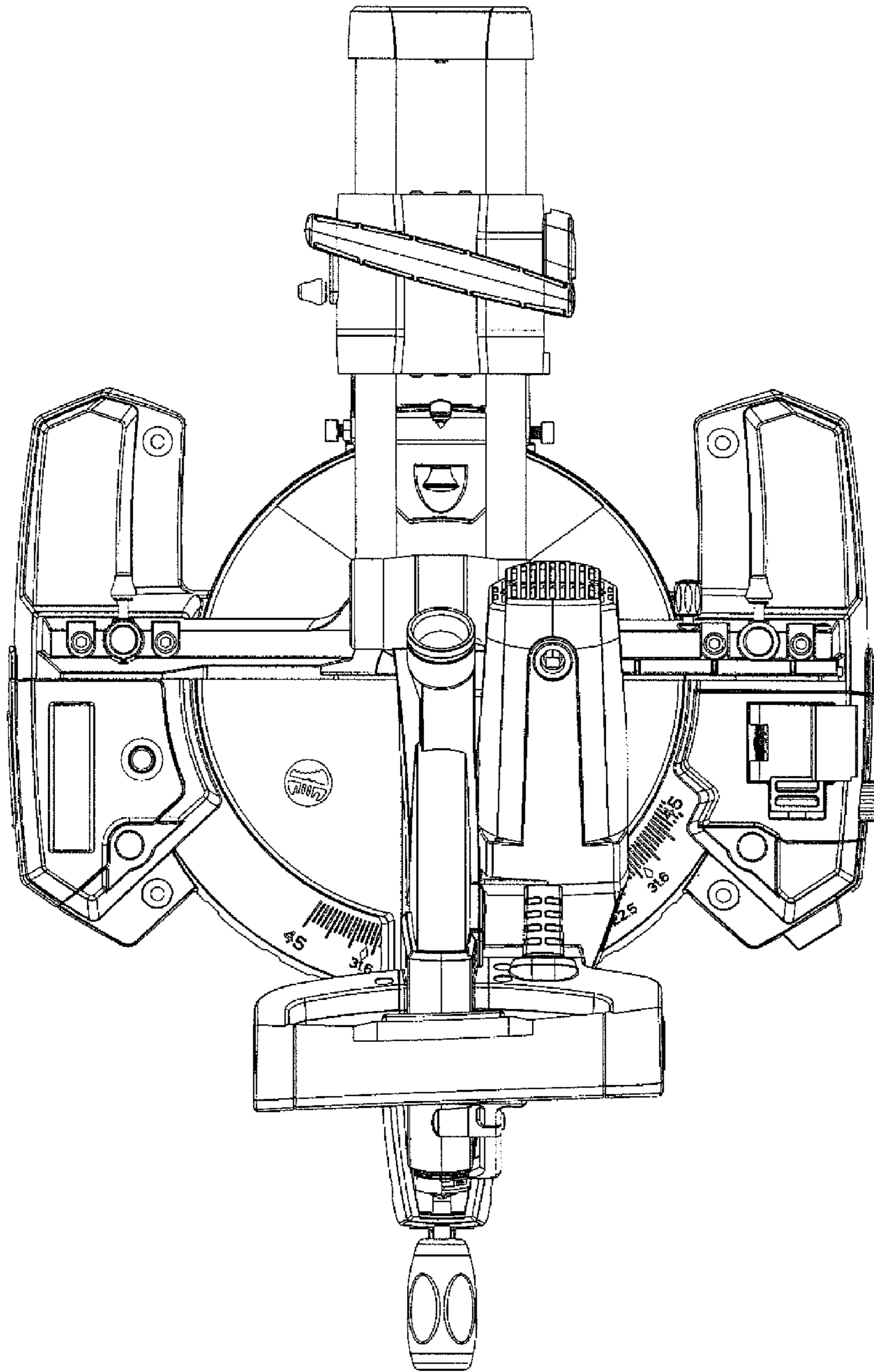


FIG. 7