



US00D666638S

(12) **United States Design Patent**  
**Tobler**

(10) **Patent No.:** **US D666,638 S**  
(45) **Date of Patent:** **\*\* Sep. 4, 2012**

(54) **HAMMER MILL WITH DOSING DEVICE**

(75) Inventor: **Marco Tobler**, St. Gallen (CH)

(73) Assignee: **Bühler AG**, Uzwil (CH)

(\*\*) Term: **14 Years**

(21) Appl. No.: **29/381,589**

(22) Filed: **Dec. 21, 2010**

(30) **Foreign Application Priority Data**

Jun. 21, 2010 (WO) ..... 553037101

(51) **LOC (9) Cl.** ..... **15-09**

(52) **U.S. Cl.** ..... **D15/131**

(58) **Field of Classification Search** ..... D15/124,  
D15/125, 126, 131; 241/46.02, 56, 74, 92,  
241/154, 189.1, 194, 195, 291

See application file for complete search history.

(56) **References Cited**

**U.S. PATENT DOCUMENTS**

D205,298 S *	7/1966	Milner, Jr. ....	D15/125
D207,424 S *	4/1967	Fossella .....	D15/124
3,946,952 A *	3/1976	Martin .....	241/56
D244,756 S *	6/1977	Granzow .....	D15/124
5,240,190 A *	8/1993	Johnson .....	241/74

2005/0035234 A1 *	2/2005	Roozeboom et al. ....	241/195
2009/0108110 A1 *	4/2009	Brick et al. ....	241/28
2010/0019074 A1 *	1/2010	Chen .....	241/189.1

**OTHER PUBLICATIONS**

<http://www.buhlergroup.com/northamerica/en/products/hammer-mill-dfzc.htm>.

\* cited by examiner

*Primary Examiner* — Patricia Palasik

(74) *Attorney, Agent, or Firm* — Shoemaker and Mattare

(57) **CLAIM**

The ornamental design for a hammer mill with dosing device, as shown and described.

**DESCRIPTION**

FIG. 1 is a perspective view of a hammer mill with dosing device, showing my new design from the front, top and right side;

FIG. 2 is a front elevational view thereof;

FIG. 3 is a rear elevational view thereof;

FIG. 4 is a right side view thereof;

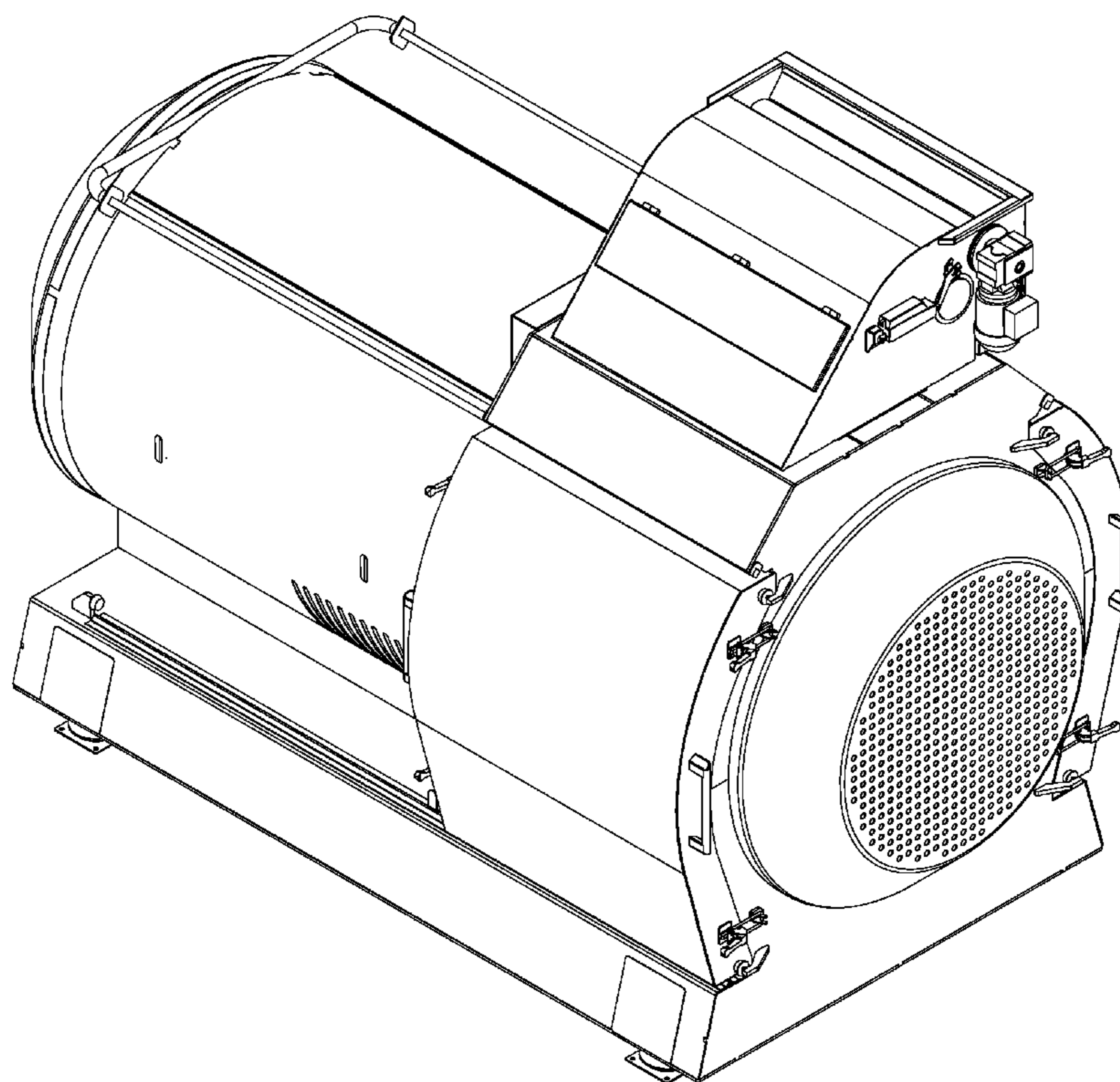
FIG. 5 is a left side view thereof;

FIG. 6 is a bottom plan view thereof; and,

FIG. 7 is a top plan view thereof.

The broken lines in the drawings depict unclaimed environmental subject matter.

**1 Claim, 7 Drawing Sheets**



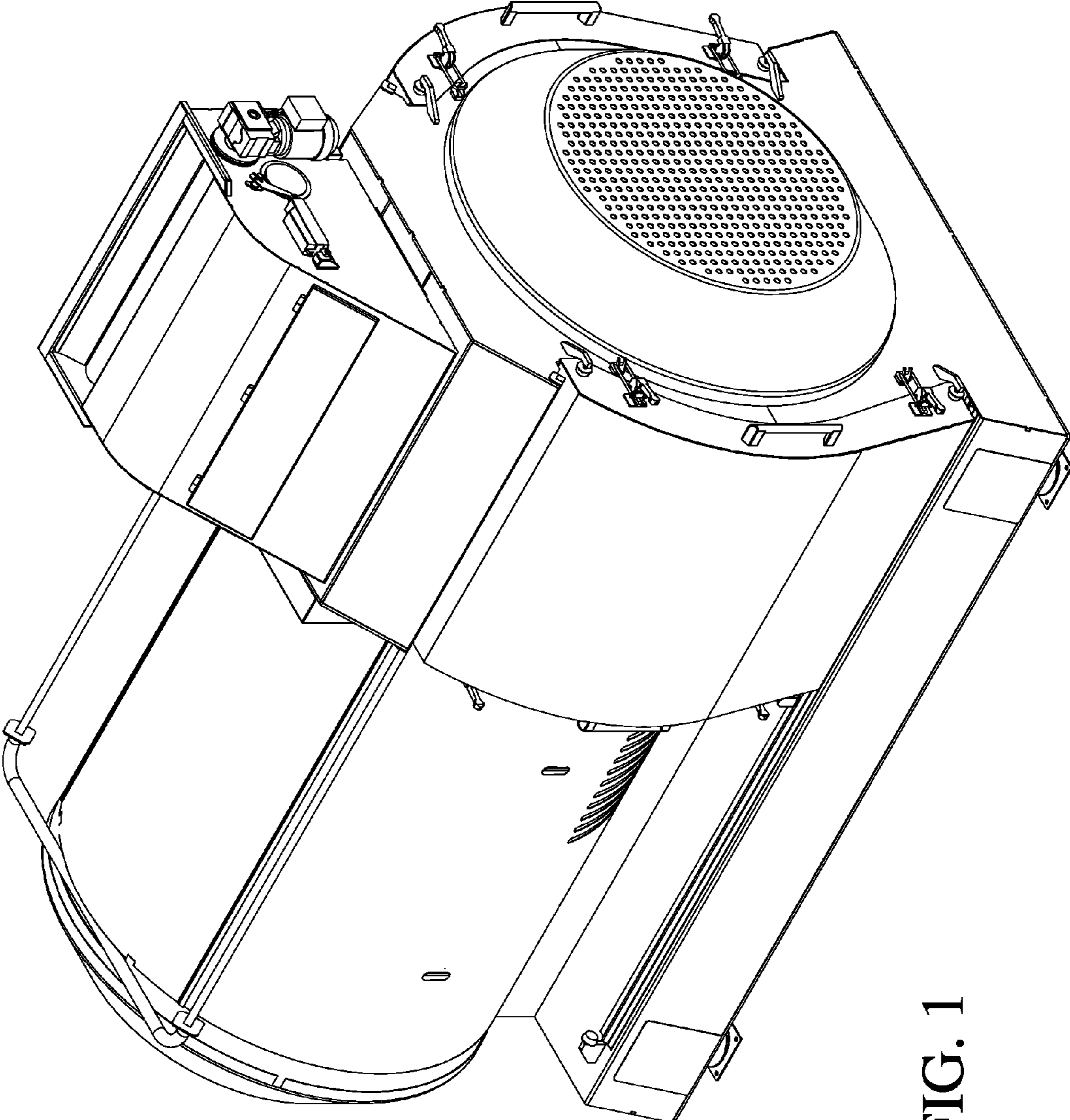


FIG. 1

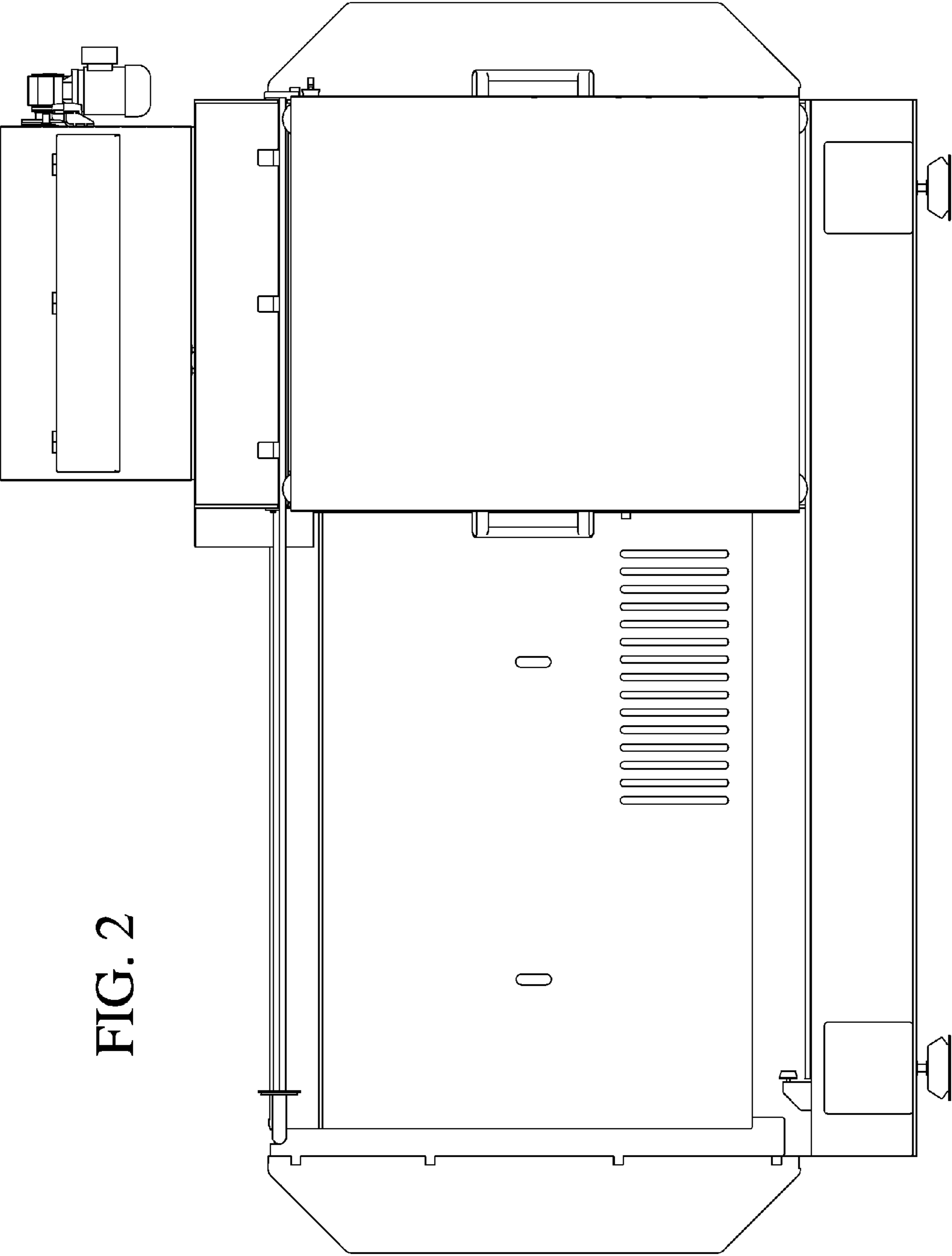
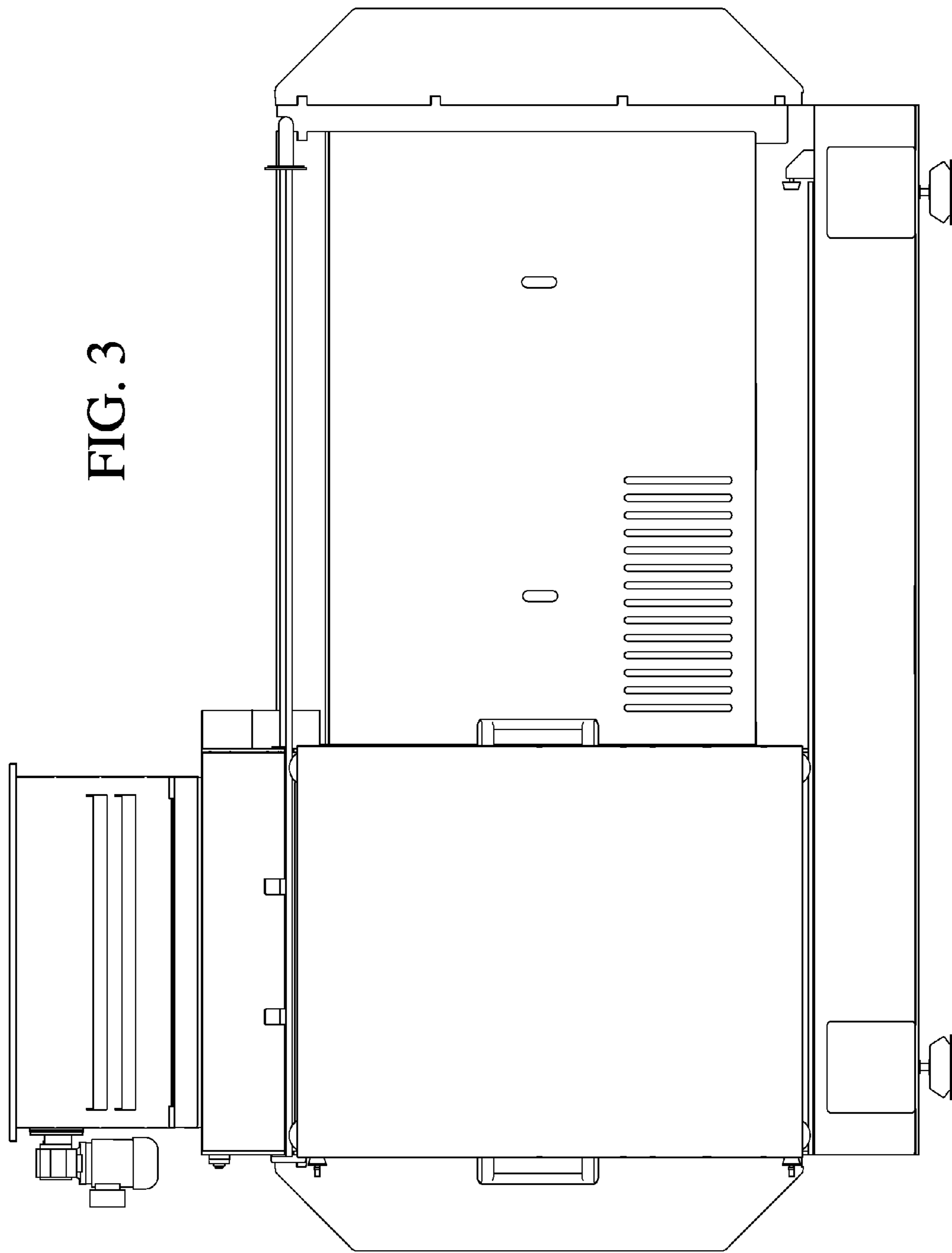


FIG. 2

FIG. 3



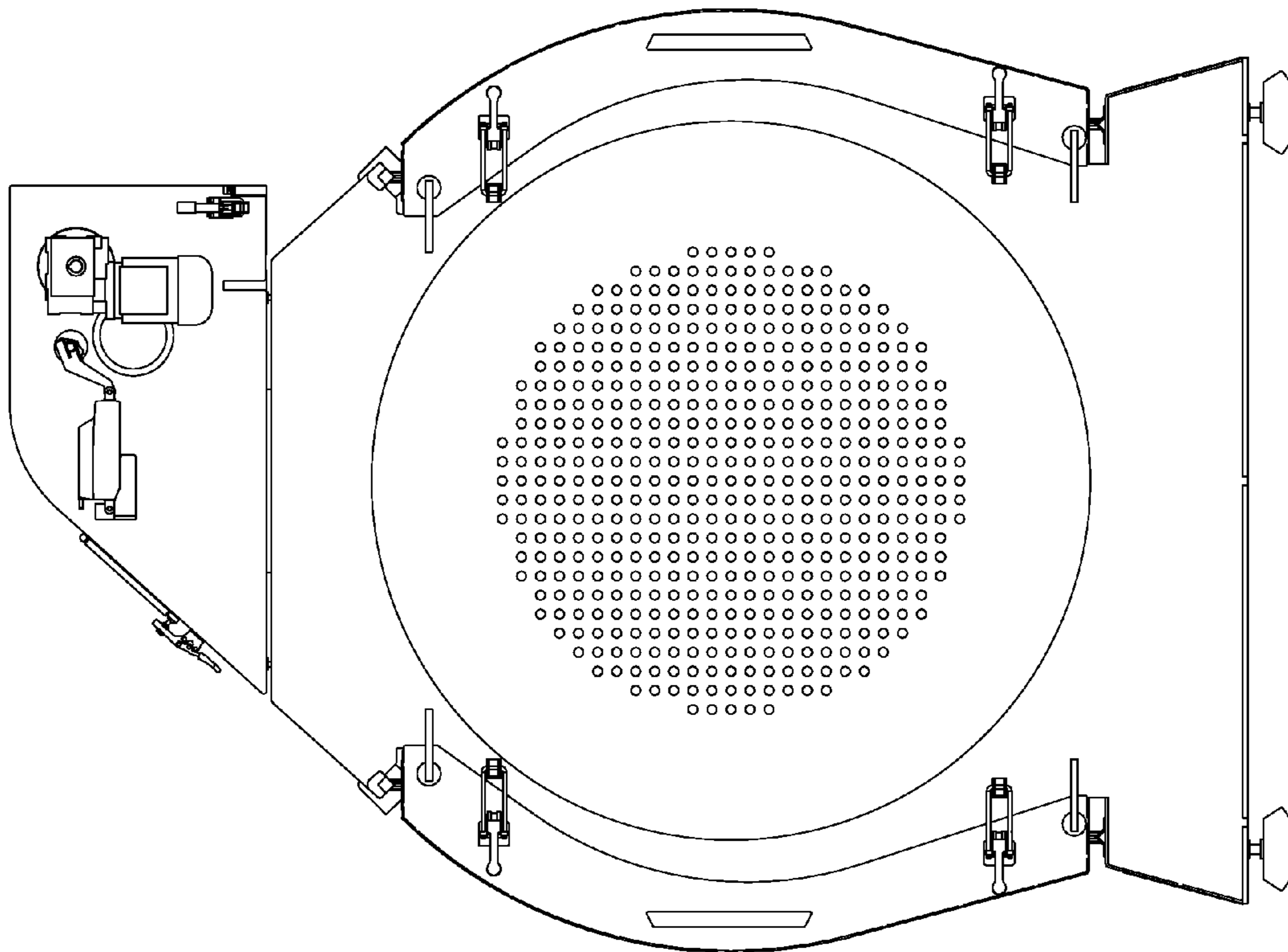


FIG. 4

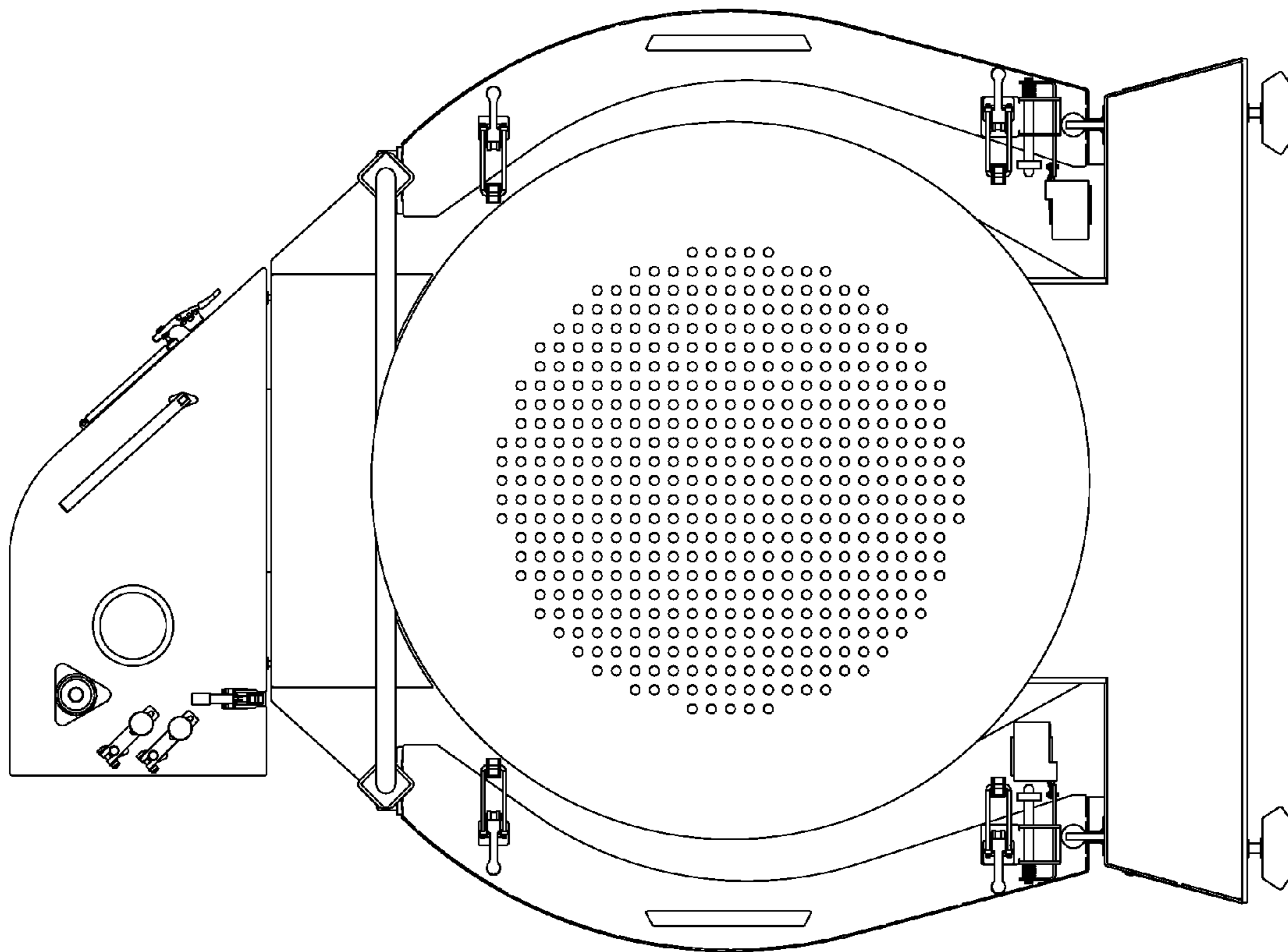


FIG. 5

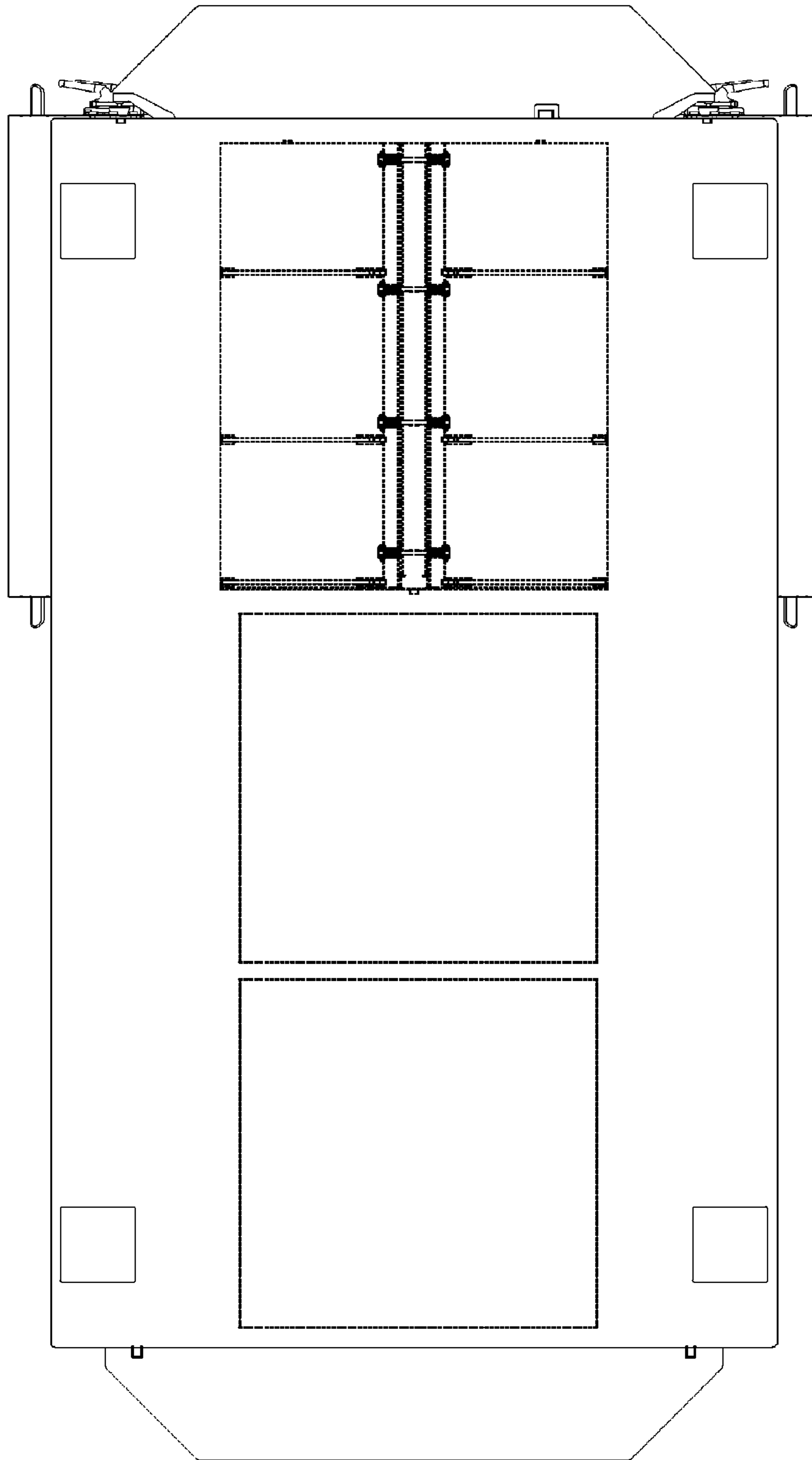


FIG. 6

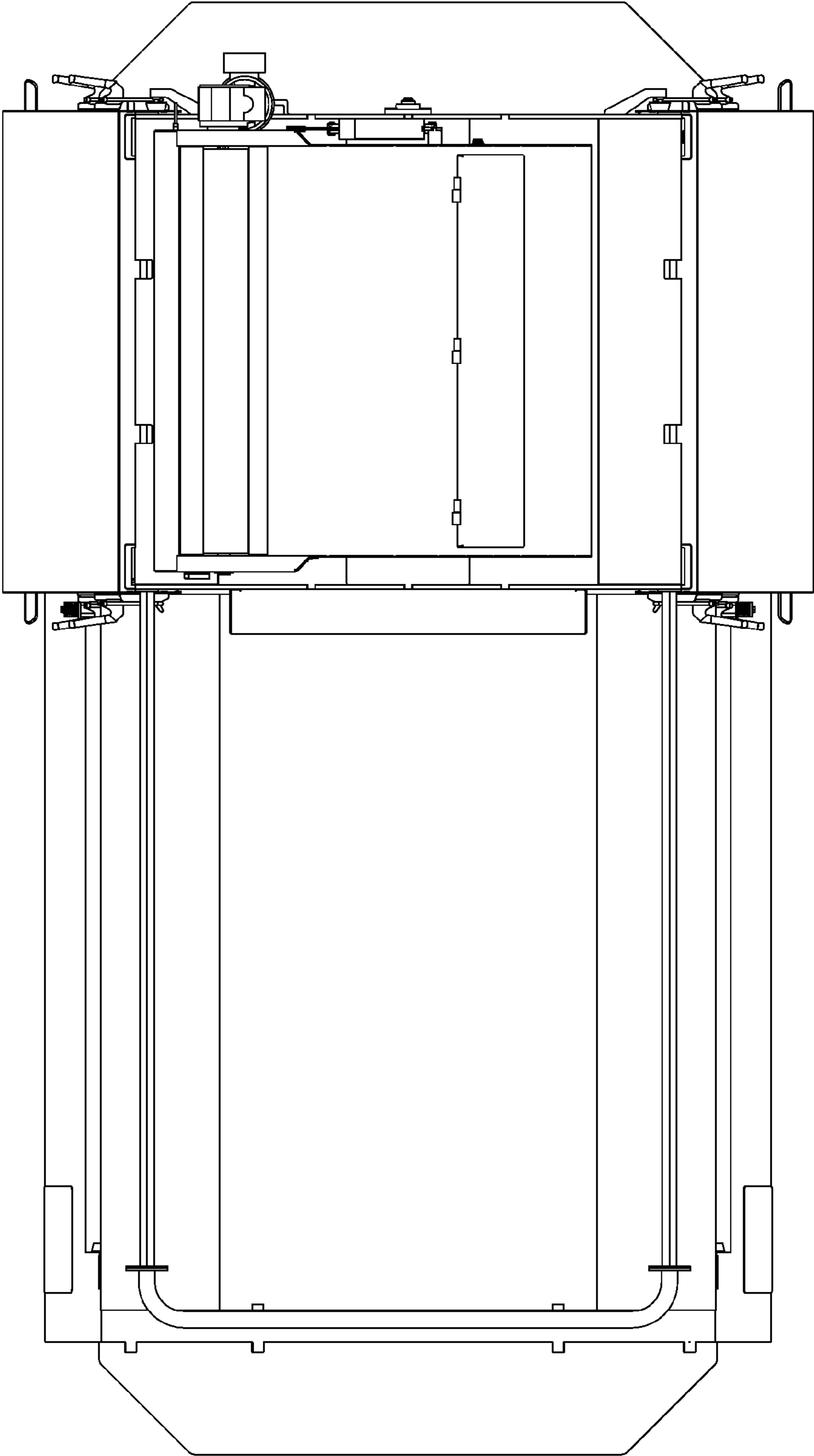


FIG. 7