



US00D666637S

(12) **United States Design Patent**  
**Mueller**

(10) **Patent No.:** **US D666,637 S**

(45) **Date of Patent:** **\*\* Sep. 4, 2012**

(54) **MACHINE TOOL**

(75) Inventor: **Robert Mueller, Roth (DE)**

(73) Assignee: **TRUMPF Werkzeugmaschinen GmbH+Co. KG, Ditzingen (DE)**

(\*\*) Term: **14 Years**

(21) Appl. No.: **29/365,768**

(22) Filed: **Jul. 14, 2010**

(51) **LOC (9) Cl.** ..... **15-09**

(52) **U.S. Cl.** ..... **D15/122**

(58) **Field of Classification Search** ..... D15/122,  
D15/127, 128; 29/568; 72/446; 83/76.1,  
83/220, 227, 234, 240, 263, 277, 412, 424,  
83/437.4, 522, 549, 559, 563, 631, 859;  
219/121.6-121.86; 226/112; 269/58, 153;  
364/474.08; 372/9, 19, 29, 92, 99, 107-109;  
483/29

See application file for complete search history.

(56) **References Cited**

**U.S. PATENT DOCUMENTS**

3,269,241	A *	8/1966	Schott et al. ....	83/144
3,874,262	A *	4/1975	Cailloux .....	83/549
4,434,349	A *	2/1984	Tsutsumi .....	219/121.67
5,183,993	A *	2/1993	Sato et al. ....	219/121.82
5,227,606	A *	7/1993	Weeks et al. ....	219/121.67
D419,573	S	1/2000	Kawahara et al.	
6,140,606	A *	10/2000	Heikilla et al. ....	219/121.82
D464,363	S *	10/2002	Saito et al. ....	D15/122
6,462,301	B1 *	10/2002	Scott et al. ....	219/121.67
D489,077	S	4/2004	Bloch	
6,855,911	B1 *	2/2005	Lai .....	219/121.86
D557,295	S *	12/2007	Formanek .....	D15/127
7,467,534	B2 *	12/2008	Bytow .....	72/419

D603,431	S *	11/2009	Masauji .....	D15/122
2005/0072767	A1 *	4/2005	Leibinger et al. ....	219/121.67
2007/0175264	A1 *	8/2007	Bytow .....	72/465.1
2009/0095046	A1 *	4/2009	Bytow .....	72/466.7
2010/0084385	A1 *	4/2010	Zeygerman et al. ....	219/121.67
2011/0132164	A1 *	6/2011	Barandiaran Echegua ....	83/145

**OTHER PUBLICATIONS**

Image at pp. 11 and 12 of "TruPunch: Stanzen mit Zukunft", published by Trumpf Werkzeugmaschinen GmbH + Co. KG, Identification No. 0372701-100-10-06-F, as presented at the EuroBlech trade show, Oct. 24-28, 2006 in Hannover, Germany.

Image at pp. 17 and 18 of "TruMatic: Stanzen and Lasern perfekt kombiniert", published by Trumpf Werkzeugmaschinen GmbH + Co. KG, Identification No. 0372731-100-10-06-F, as presented at the EuroBlech trade show, Oct. 24-28, 2006 in Hannover, Germany.

\* cited by examiner

*Primary Examiner* — Patricia Palasik

(74) *Attorney, Agent, or Firm* — Michael D. Bednarek; Axinn Veltrop Harkrider LLP

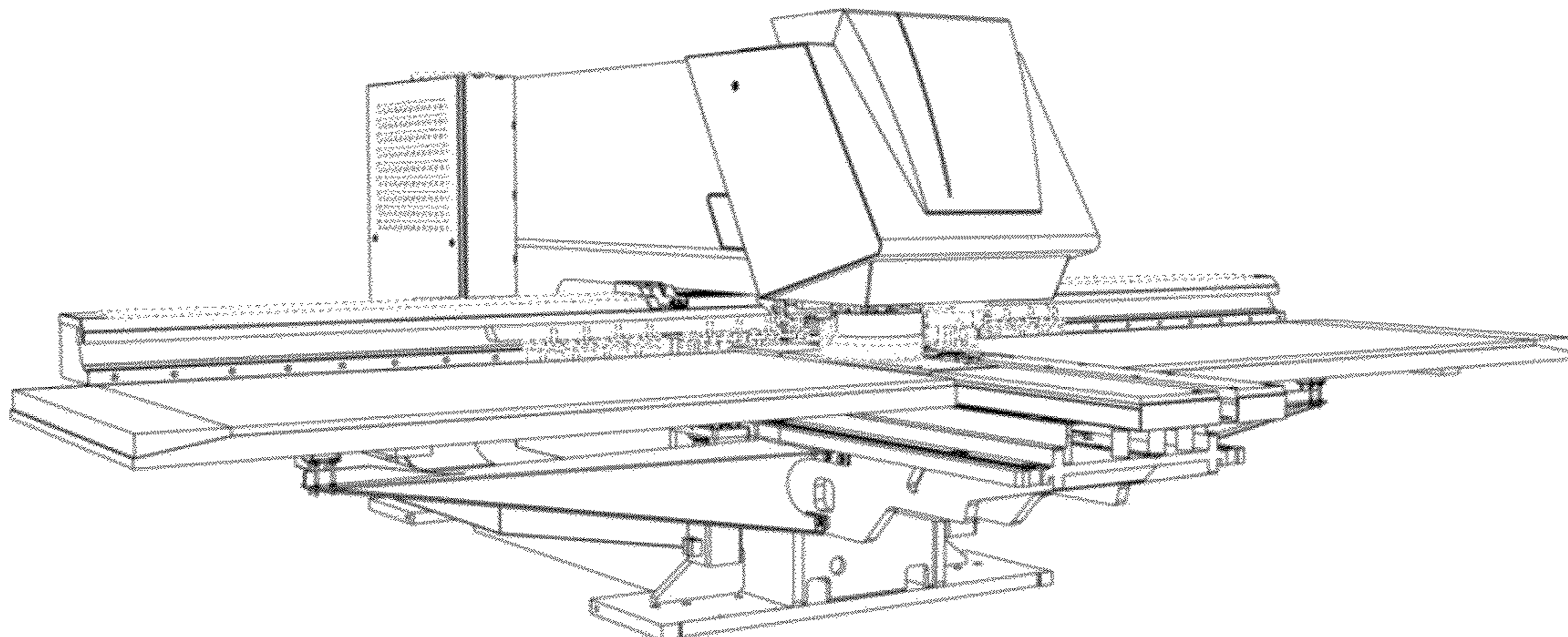
(57) **CLAIM**

The ornamental design for a machine tool, as shown and described.

**DESCRIPTION**

FIG. 1 is a front right side perspective view of a new machine tool showing my new design; FIG. 2 is a front elevation view thereof; FIG. 3 is a rear elevation view thereof; FIG. 4 is a left elevation view thereof; FIG. 5 is a right elevation view thereof; and, FIG. 6 is a top plan view thereof. The broken lines in the drawings depict unclaimed environmental subject matter.

**1 Claim, 6 Drawing Sheets**





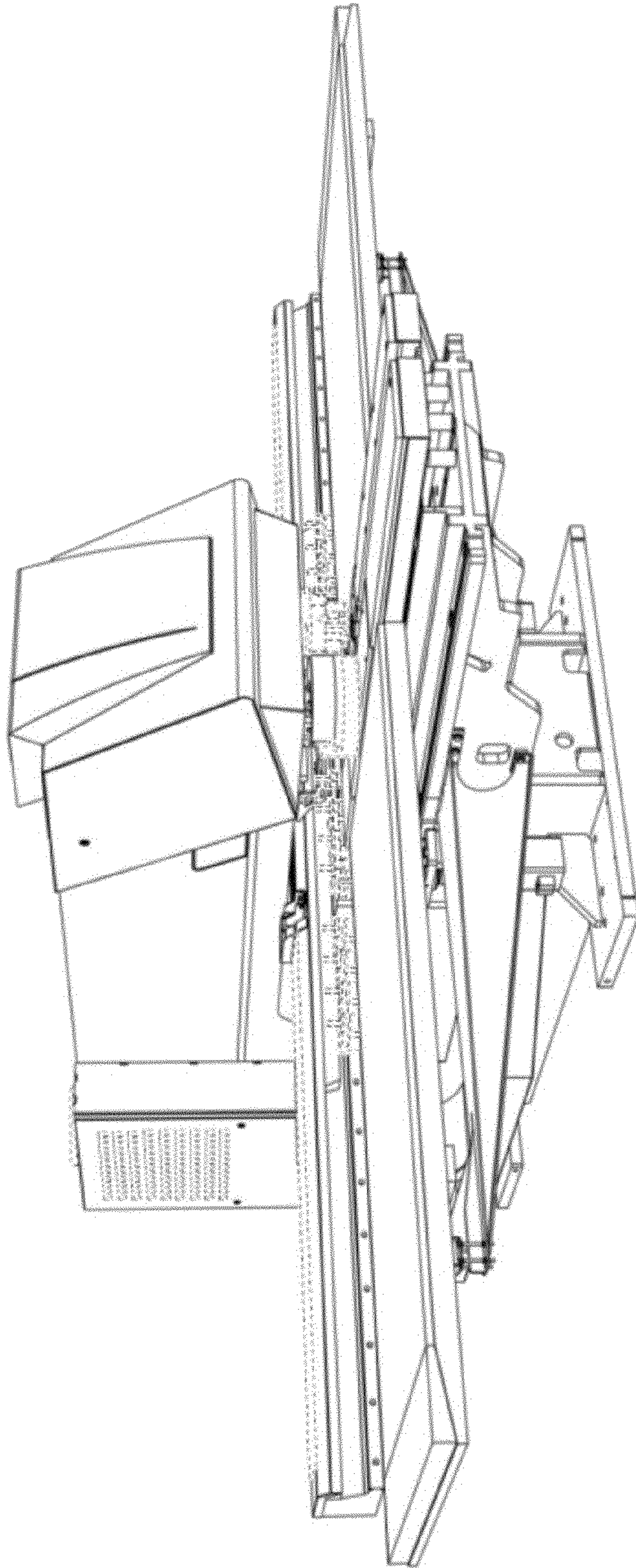


FIGURE 1



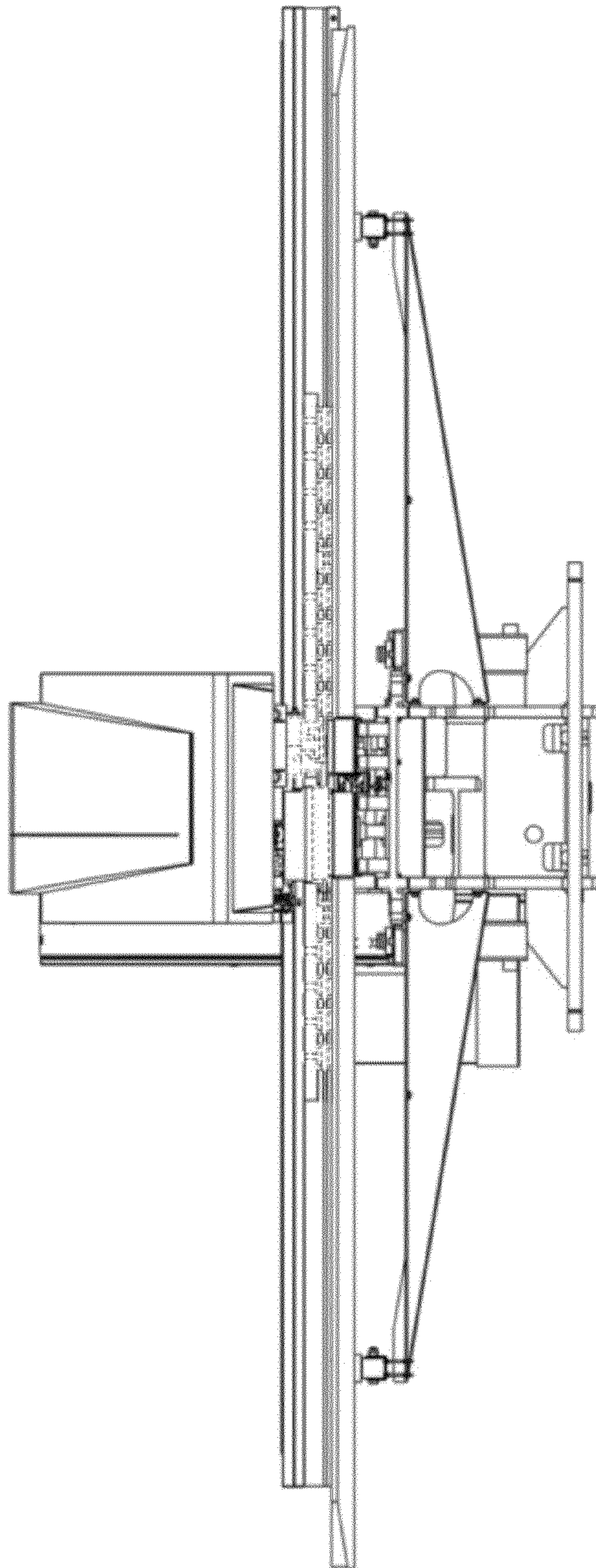


FIGURE 2

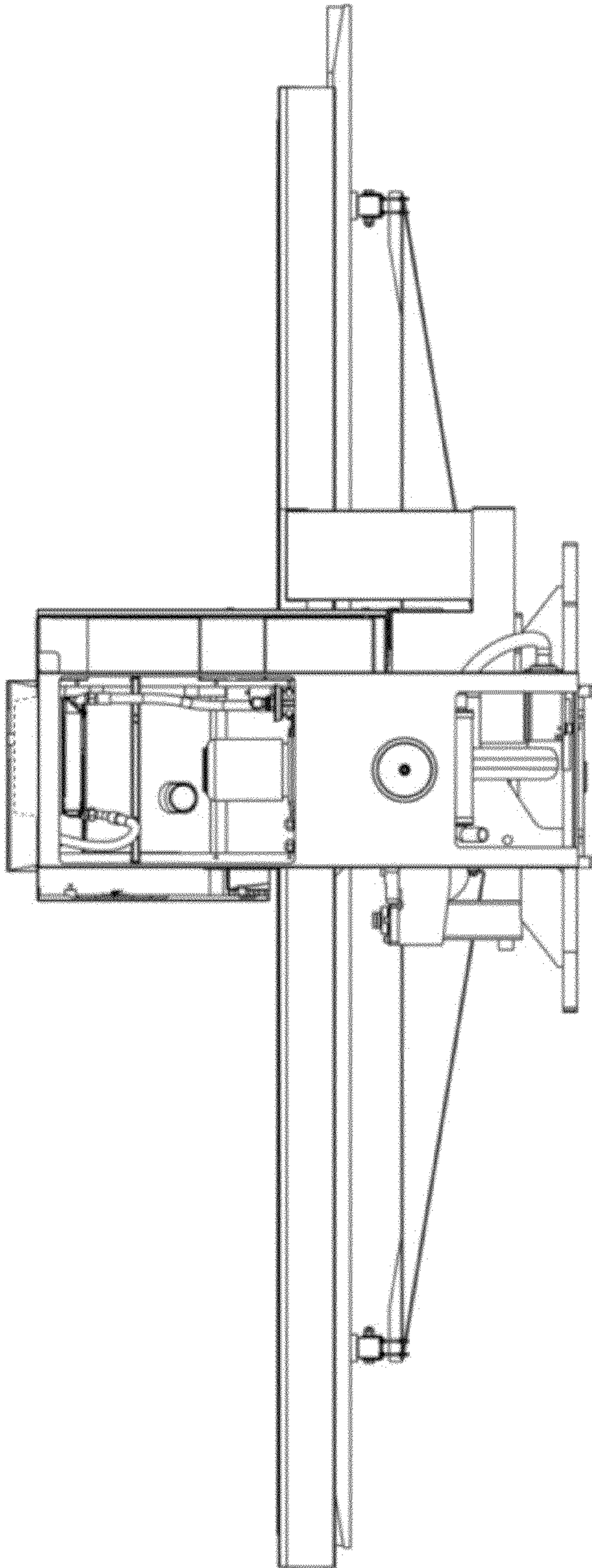


FIGURE 3



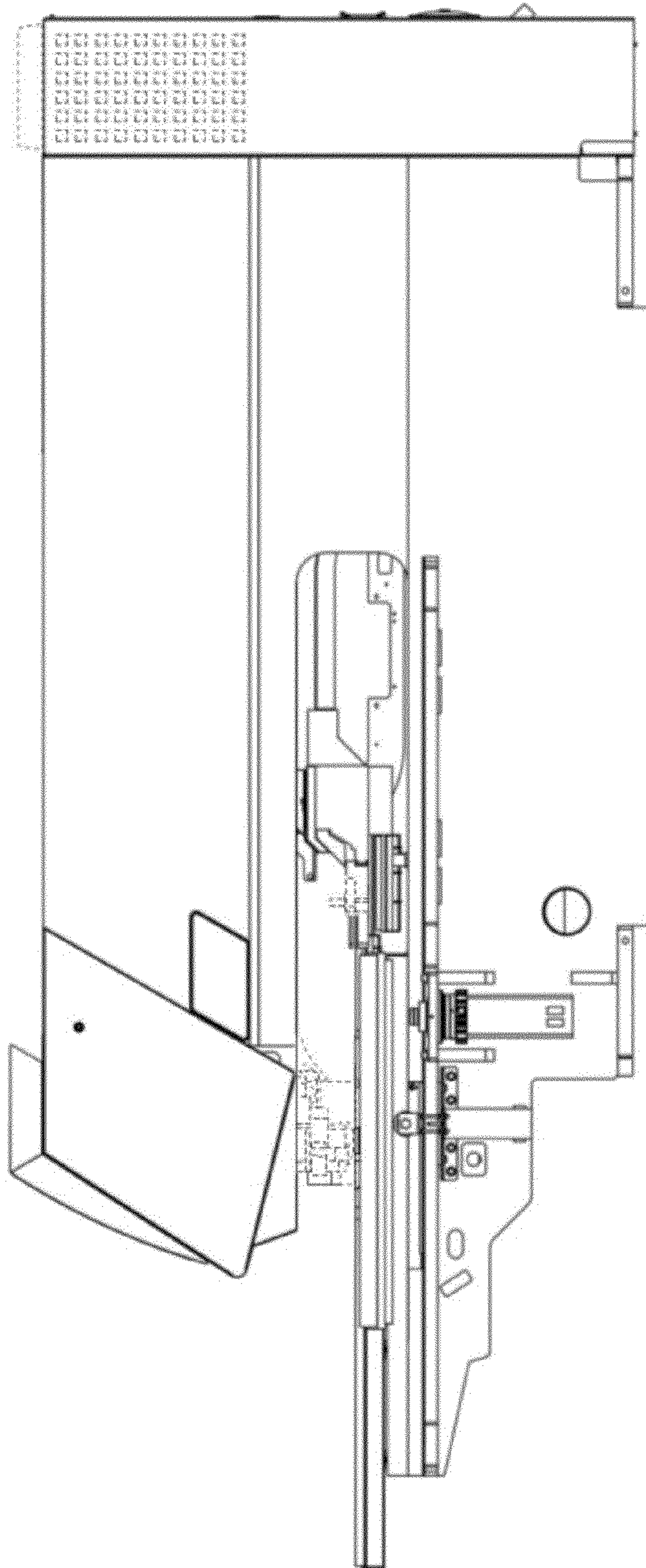


FIGURE 4



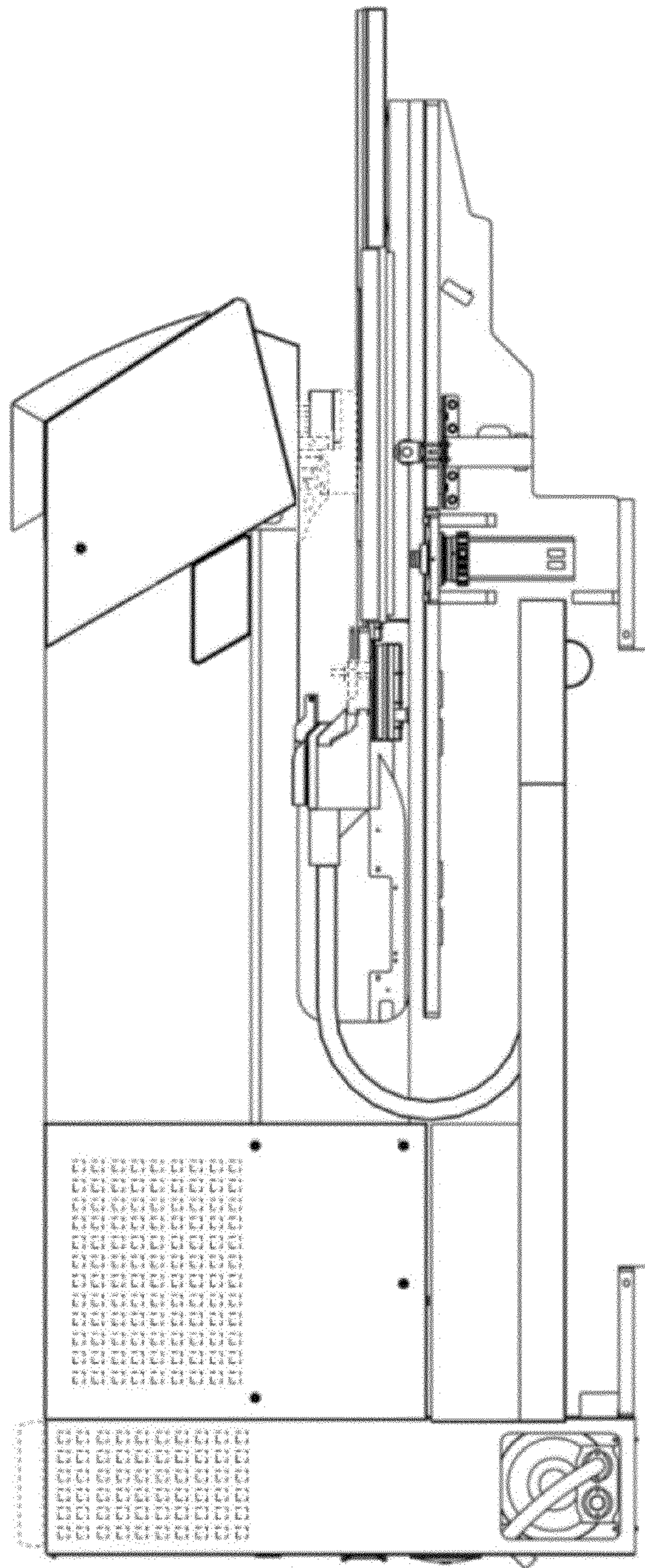


FIGURE 5

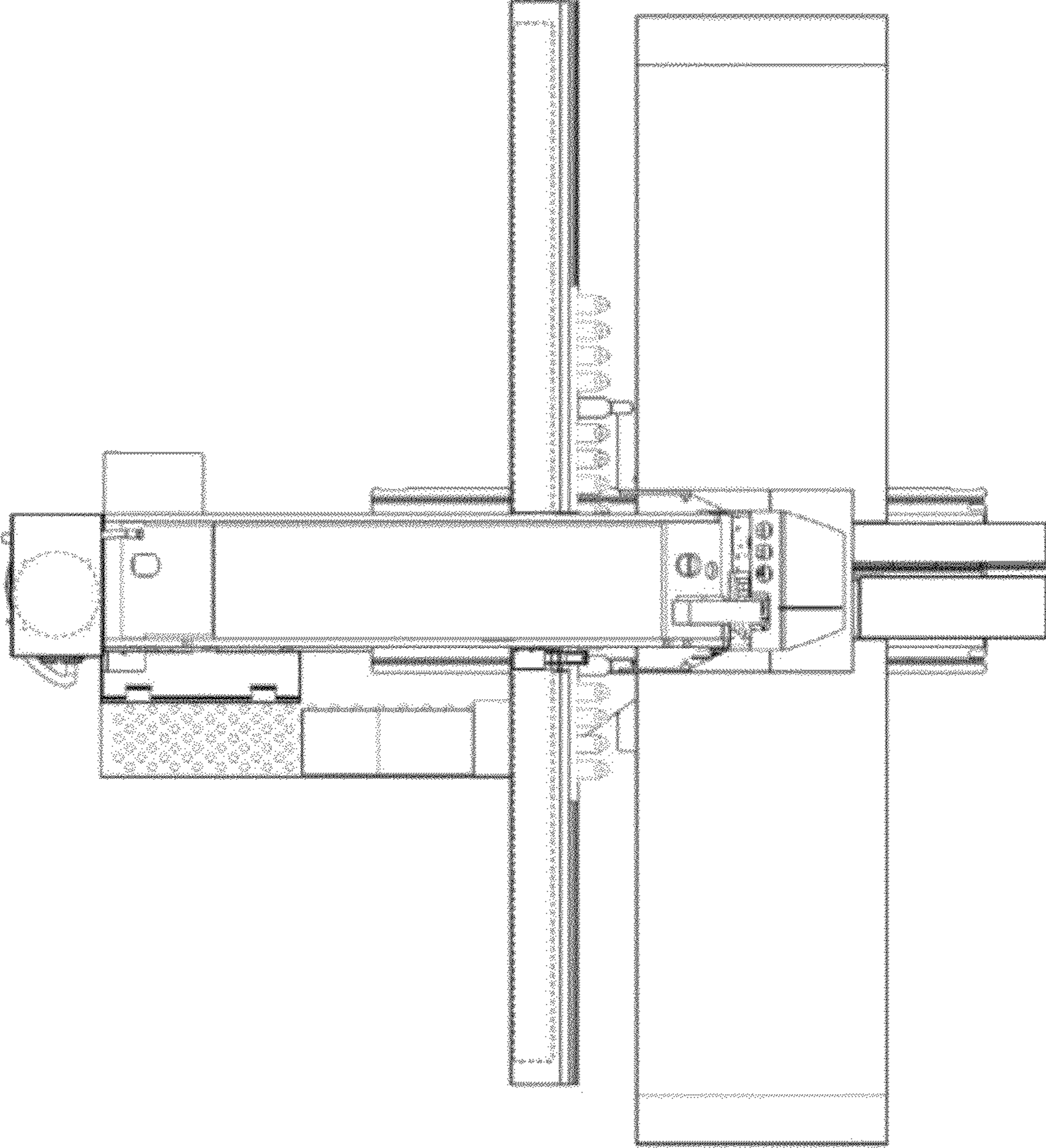


FIGURE 6