

US00D666634S

(12) **United States Design Patent**
Reeve

(10) **Patent No.:** **US D666,634 S**

(45) **Date of Patent:** **** Sep. 4, 2012**

(54) **SET OF WHEELS FOR QUILTING MACHINE**

(76) Inventor: **Vernon L. Reeve**, Kalispell, MT (US)

(**) Term: **14 Years**

(21) Appl. No.: **29/377,858**

(22) Filed: **Oct. 27, 2010**

(51) **LOC (9) Cl.** **15-06**

(52) **U.S. Cl.** **D15/78**

(58) **Field of Classification Search** D15/66-78,
D15/28; D12/36, 42, 46, 101; 105/159,
105/215.2; 112/117, 118, 475.08

See application file for complete search history.

(56) **References Cited**

U.S. PATENT DOCUMENTS

D185,718	S	*	7/1959	Patton	D12/101
3,704,671	A	*	12/1972	Horne et al.	105/215.2
D251,901	S	*	5/1979	O'Lear	D12/46
D263,942	S	*	4/1982	Francis	D12/36
4,386,880	A	*	6/1983	Schimmeyer	105/159
4,488,494	A	*	12/1984	Powell, Sr.	105/215.2
4,534,297	A	*	8/1985	Johnson, Sr.	105/215.2
4,583,465	A	*	4/1986	Powell, Sr.	105/215.2
4,828,452	A	*	5/1989	Bolitho	105/215.2
D312,059	S	*	11/1990	Styles	D12/42
D399,855	S	*	10/1998	Ito	D15/78
D464,065	S	*	10/2002	Schmodde	D15/78
6,951,178	B2	*	10/2005	Watts	112/118

D534,928	S	*	1/2007	Bush	D15/28
7,669,540	B2	*	3/2010	Dobrescu et al.	112/475.08
2005/0178307	A1	*	8/2005	Frazer et al.	112/117

* cited by examiner

Primary Examiner — Mitchell Siegel

(74) *Attorney, Agent, or Firm* — Sarah J. Rhoades

(57) **CLAIM**

The ornamental design for a set of wheels for a quilting machine, as shown and described.

DESCRIPTION

FIG. 1 is a top plan view of a new, ornamental design for the set of wheels for a quilting machine mounted on a schematic drawing of the quilting machine;

FIG. 2 is an enlarged, partial, perspective view of a first wheel thereof;

FIG. 3 is an enlarged, partial, side view of a first wheel thereof;

FIG. 4 is an enlarged, partial, top view of a first wheel thereof;

FIG. 5 is an enlarged, partial, end view of a first wheel thereof;

FIG. 6 is an enlarged, partial, perspective view of a second wheel thereof;

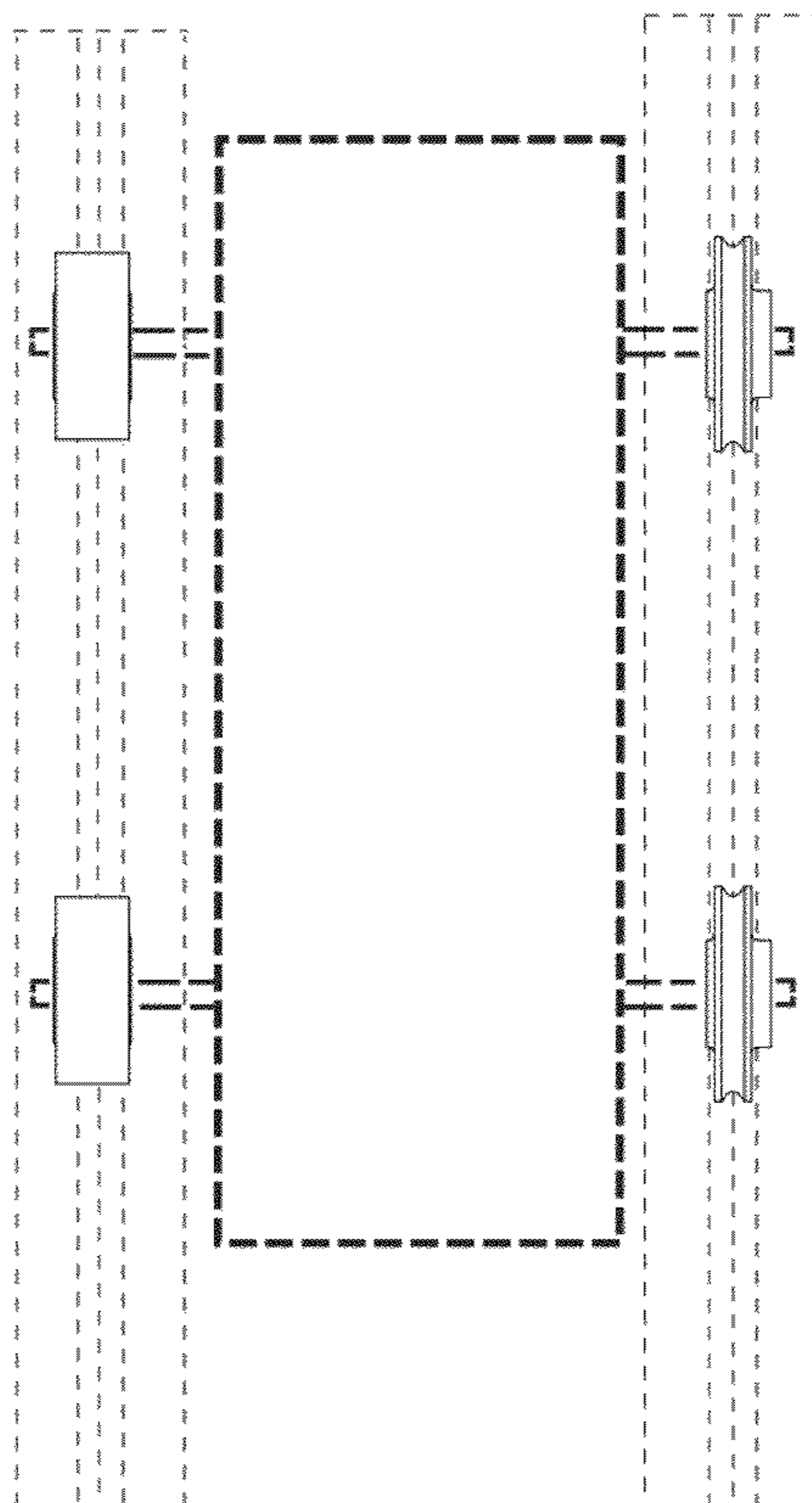
FIG. 7 is an enlarged, partial, side view of a second wheel thereof;

FIG. 8 is an enlarged, partial, top view of a second wheel thereof; and,

FIG. 9 is an enlarged, partial, end view of a second wheel thereof.

The broken line showing of the quilting machine is for the purpose of illustrating environmental structure and forms no part of the claimed design.

1 Claim, 9 Drawing Sheets



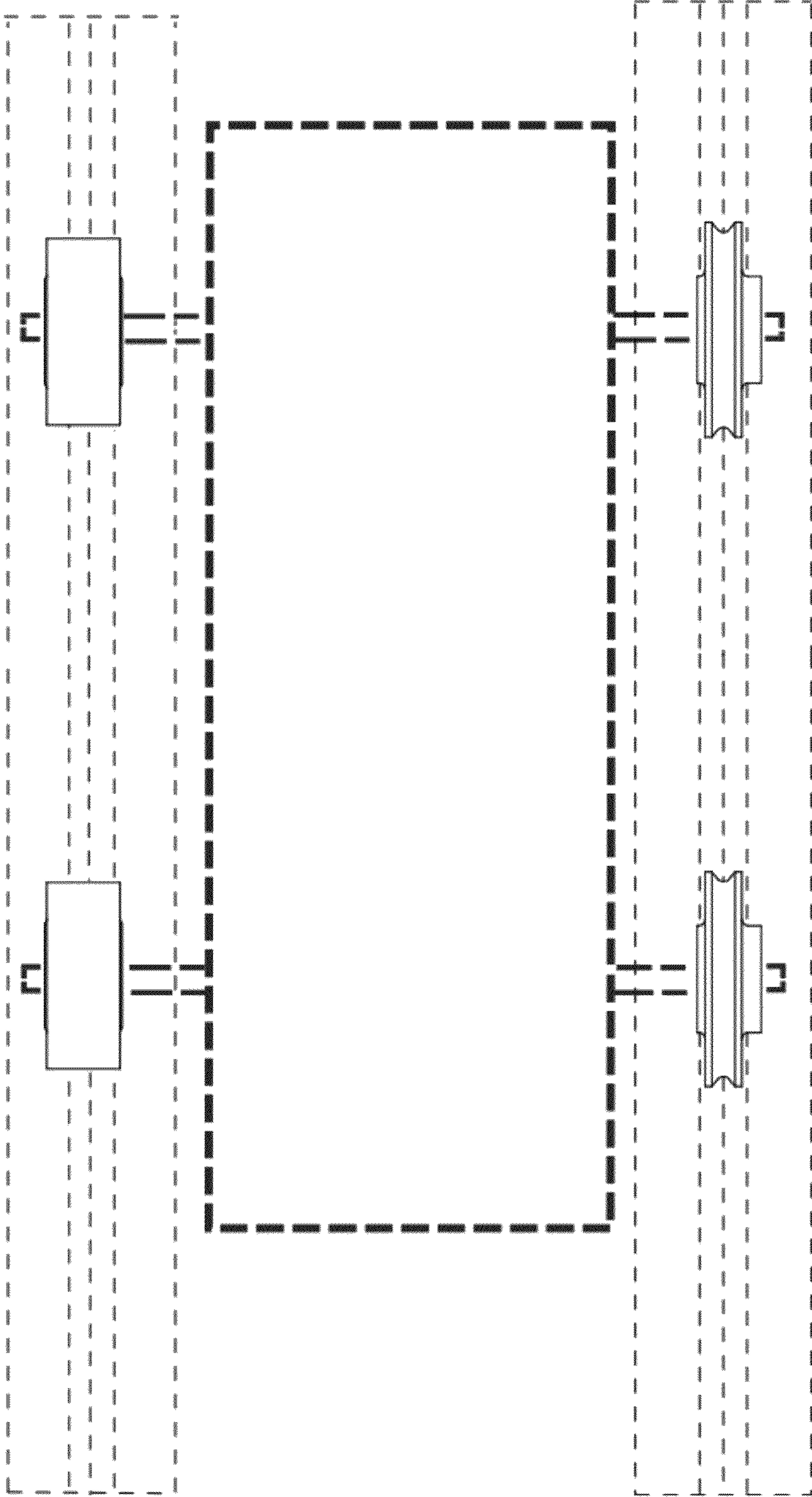


Figure 1

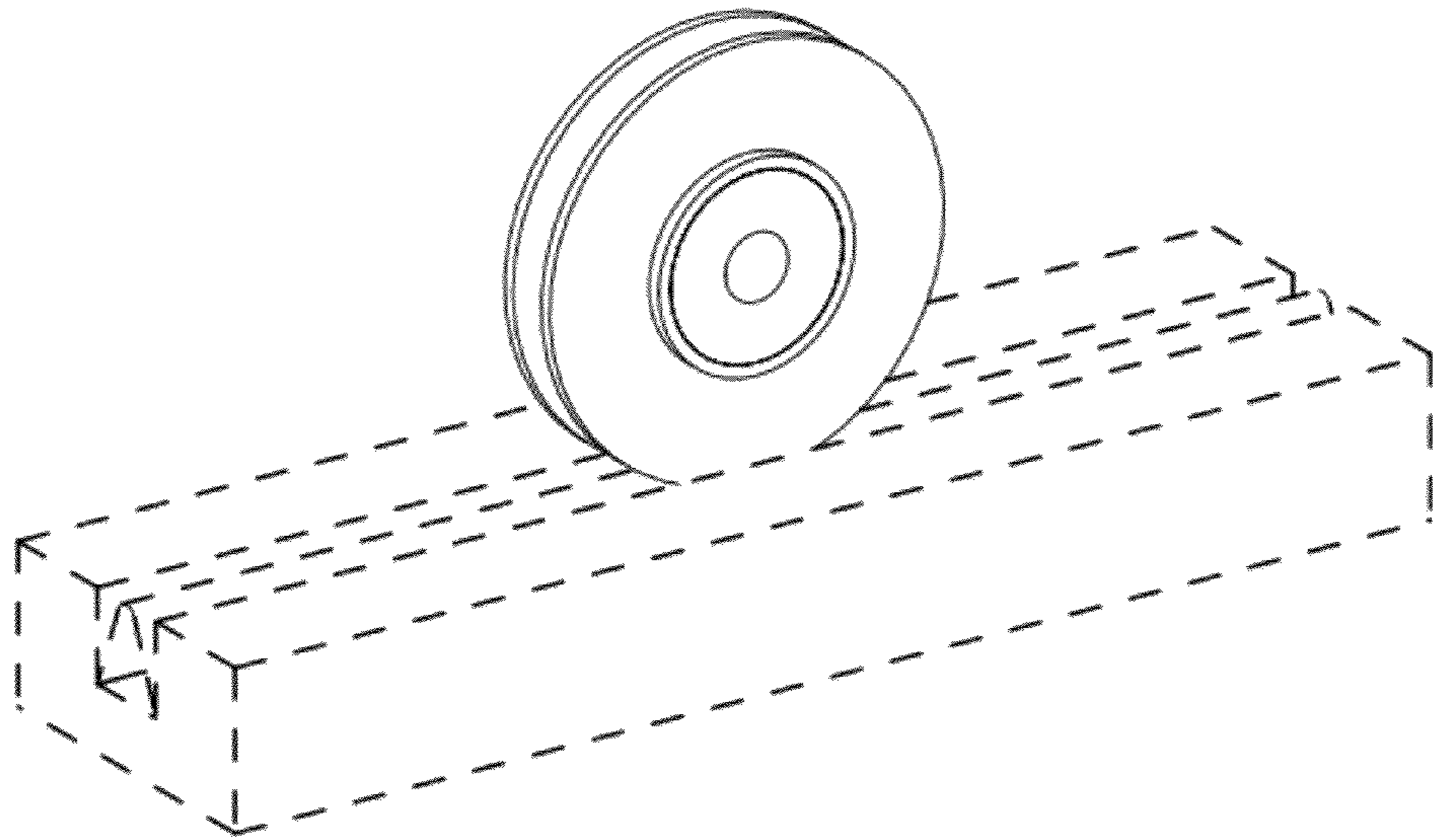


Figure 2

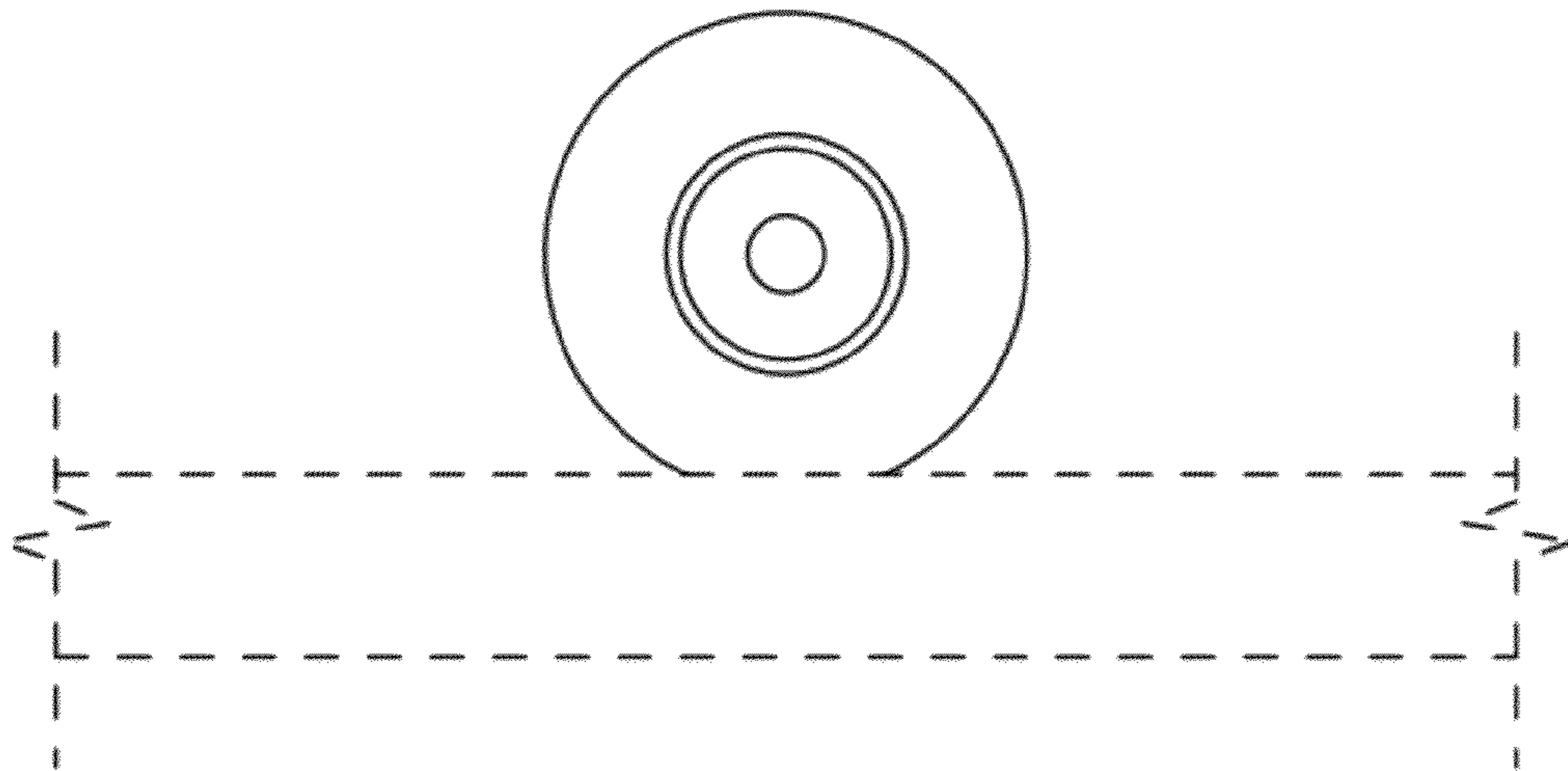


Figure 3

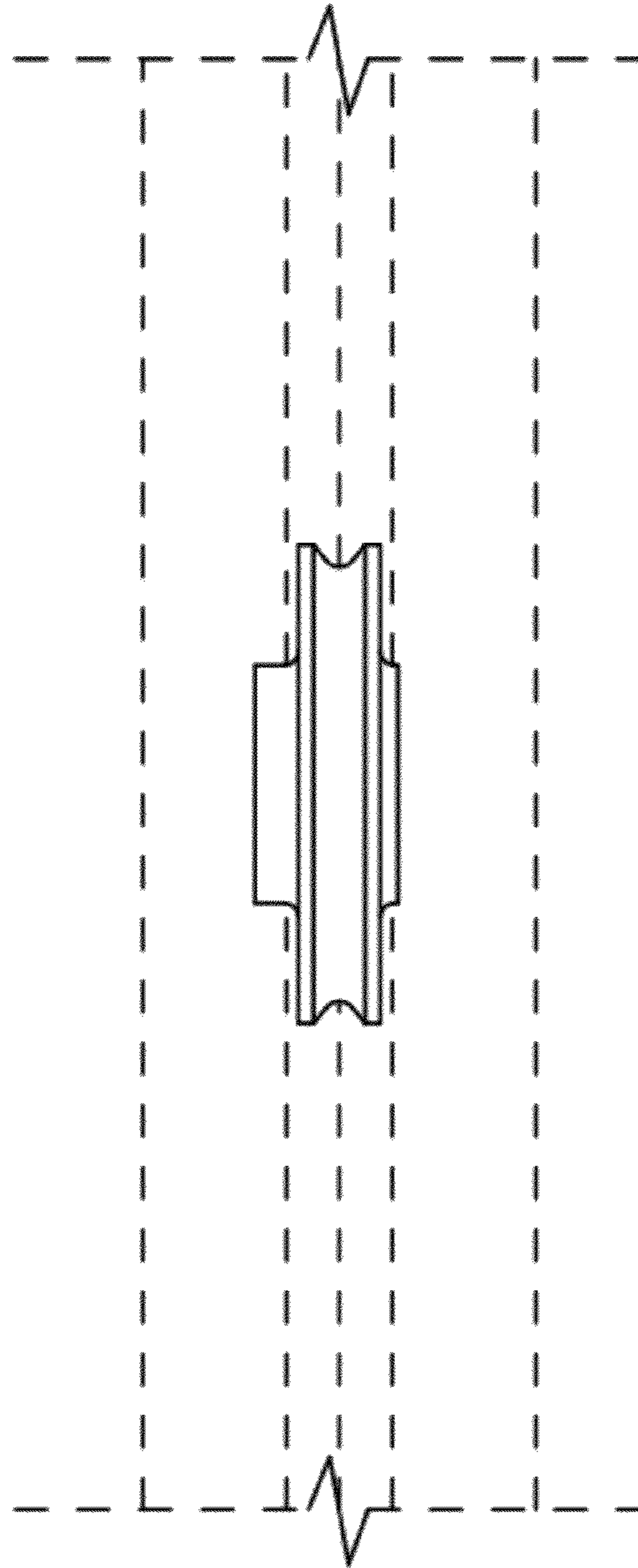


Figure 4

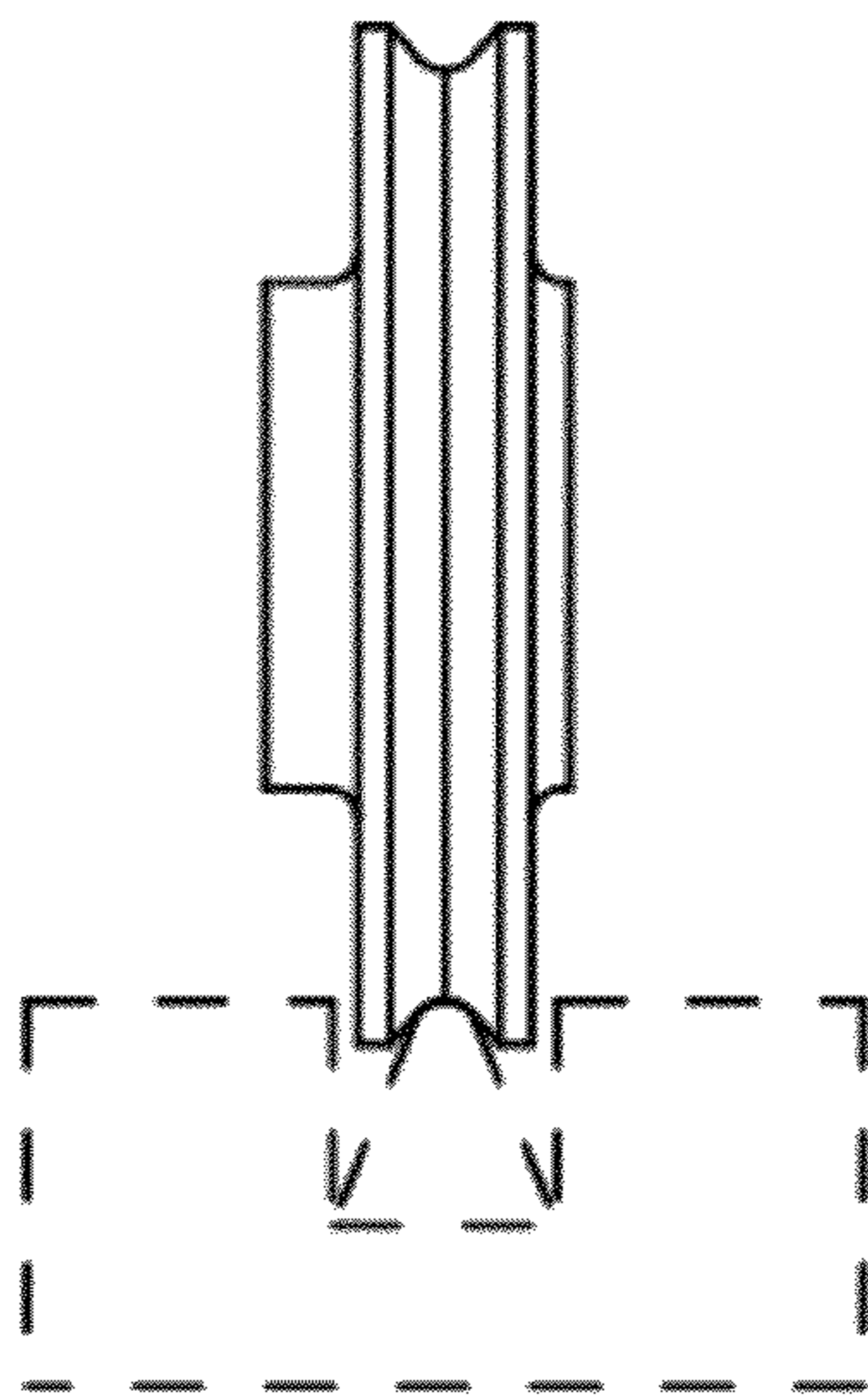


Figure 5

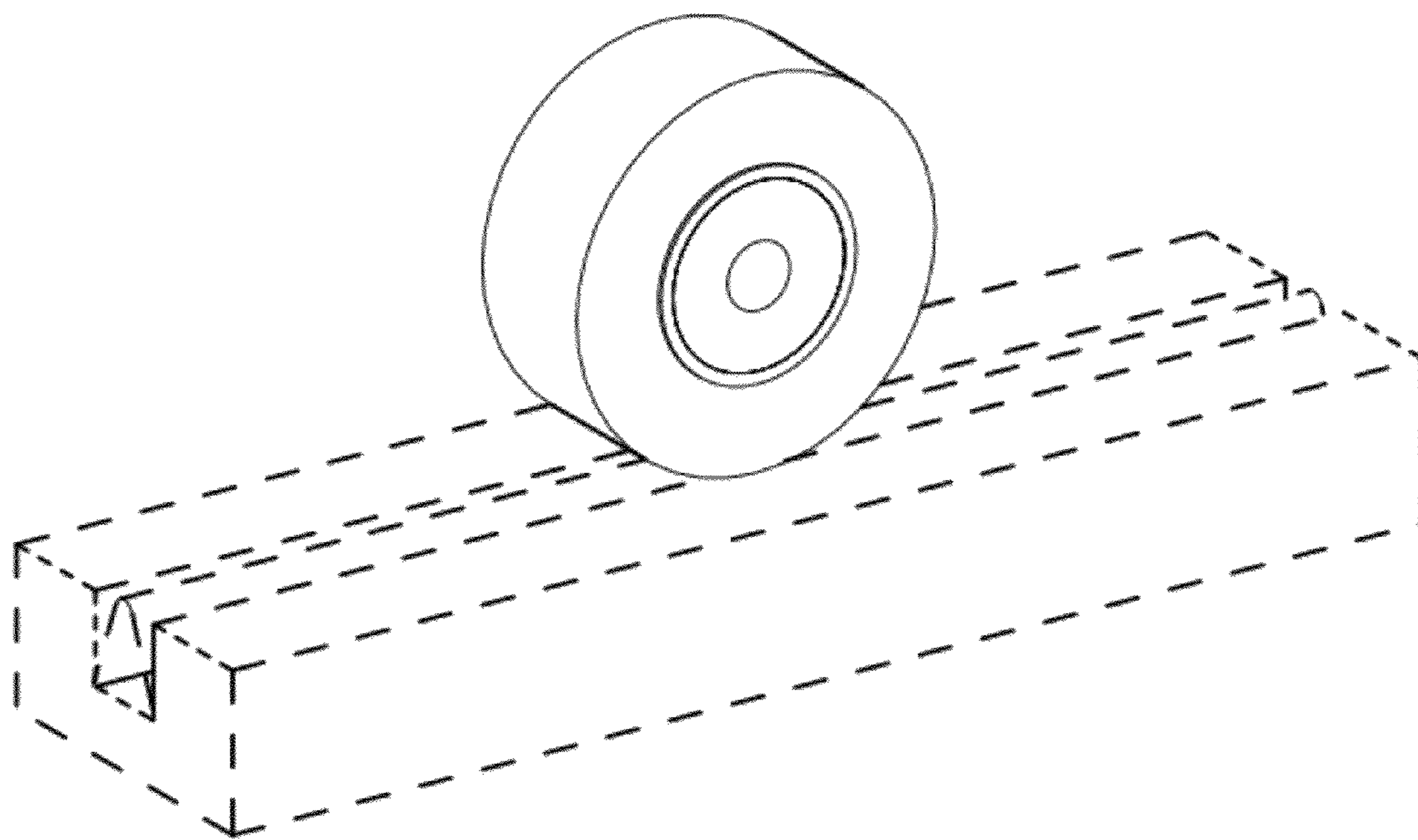


Figure 6

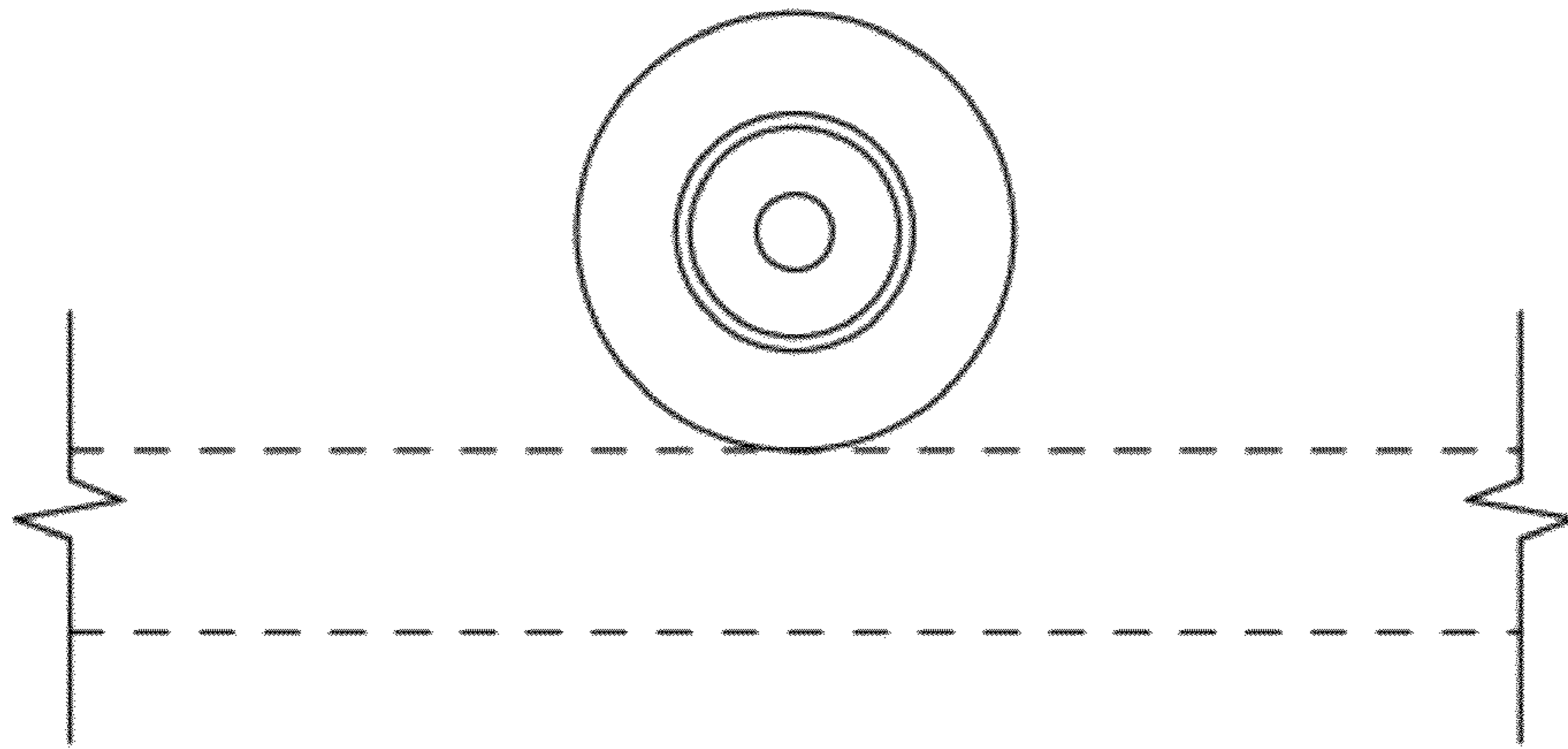


Figure 7

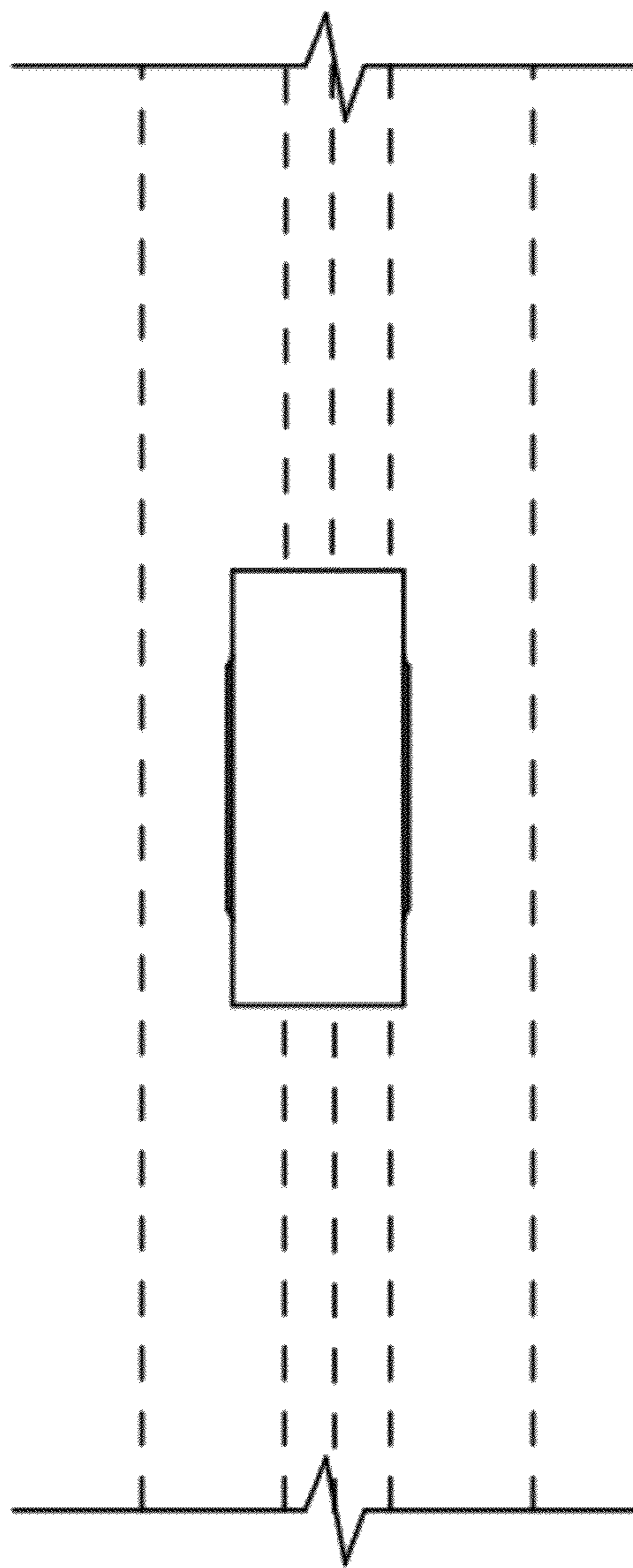


Figure 8

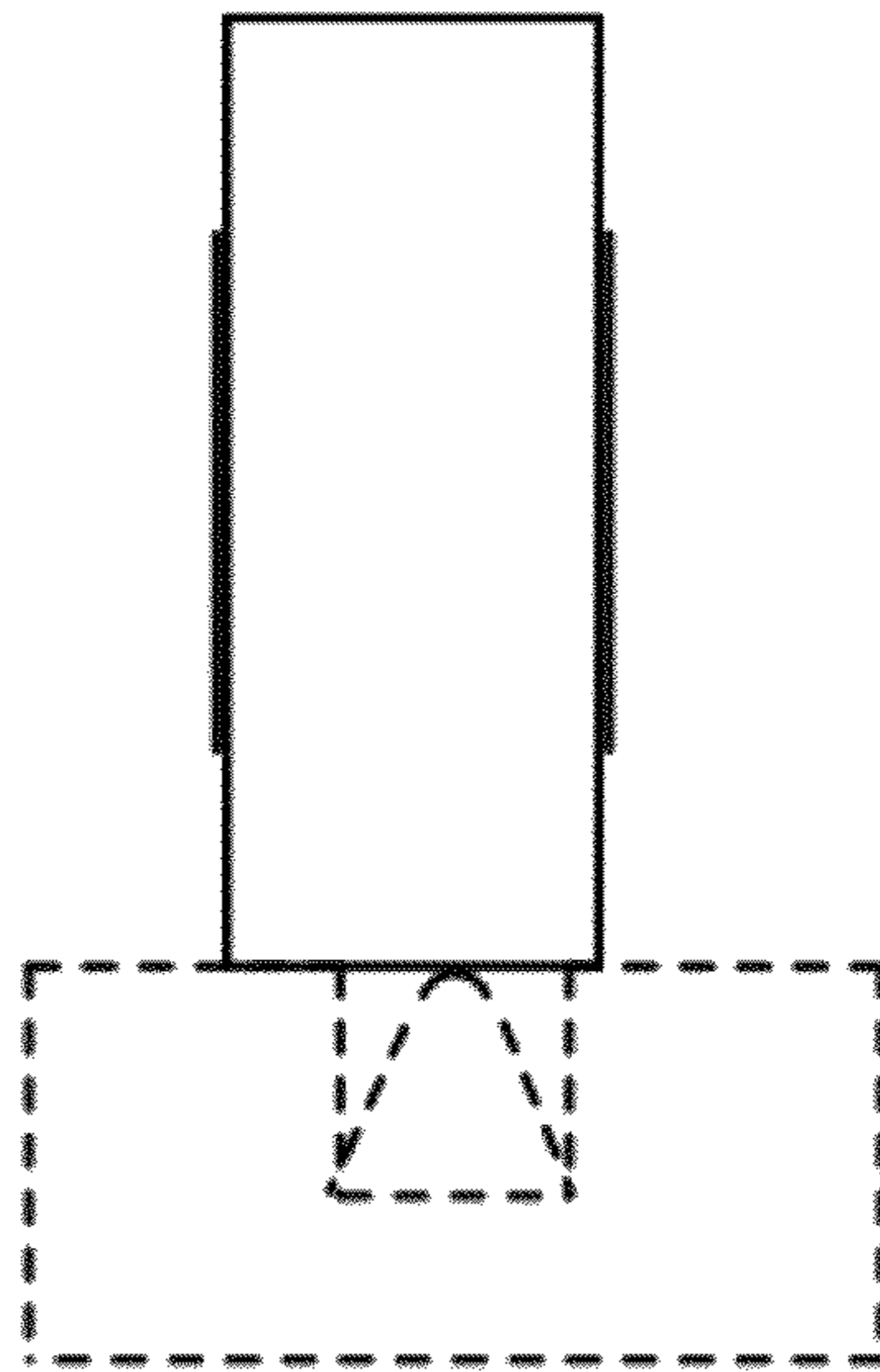


Figure 9