

US00D666633S

(12) **United States Design Patent**
Watanabe

(10) **Patent No.:** **US D666,633 S**
(45) **Date of Patent:** **** Sep. 4, 2012**

(54) **OUTBOARD MOTOR**

(75) Inventor: **Toshio Watanabe**, Shizuoka-ken (JP)

(73) Assignee: **Suzuki Motor Corporation** (JP)

(**) Term: **14 Years**

(21) Appl. No.: **29/398,770**

(22) Filed: **Aug. 4, 2011**

(30) **Foreign Application Priority Data**

Feb. 10, 2011 (JP) 2011-002811

(51) **LOC (9) Cl.** **15-01**

(52) **U.S. Cl.** **D15/4**

(58) **Field of Classification Search** D15/1-5,
D15/149; 123/195 P; 440/3, 4, 88 R, 52;
D12/317, 181

See application file for complete search history.

(56) **References Cited**

U.S. PATENT DOCUMENTS

6,672,917	B2 *	1/2004	Matsuda et al.	440/76
D531,640	S *	11/2006	Okamoto	D15/4
D549,240	S *	8/2007	Okamoto	D15/4
D584,317	S *	1/2009	Okamoto	D15/4
7,621,791	B2 *	11/2009	Yazaki et al.	440/77
D629,015	S *	12/2010	Iekura et al.	D15/4

* cited by examiner

Primary Examiner — T. Chase Nelson

Assistant Examiner — Ania Aman

(74) *Attorney, Agent, or Firm* — Lerner, David, Littenberg, Krumholz & Mentlik, LLP

(57) **CLAIM**

The ornamental design for an outboard motor, as shown and described.

DESCRIPTION

FIG. 1 is a front view of an outboard motor in accordance with one embodiment of the present invention;

FIG. 2 is a rear view of the outboard motor shown in FIG. 1;

FIG. 3 is a top view of the outboard motor shown in FIG. 1;

FIG. 4 is a bottom view of the outboard motor shown in FIG. 1;

FIG. 5 is a right side view of the outboard motor shown in FIG. 1;

FIG. 6 is a left side view of the outboard motor shown in FIG. 1;

FIG. 7 is a front perspective view of the outboard motor shown in FIG. 1; and,

FIG. 8 is a rear perspective view of the outboard motor shown in FIG. 1.

The broken lines in FIGS. 1-8 are directed to environment and are for illustrative purposes only and form no part of the claimed design.

1 Claim, 8 Drawing Sheets

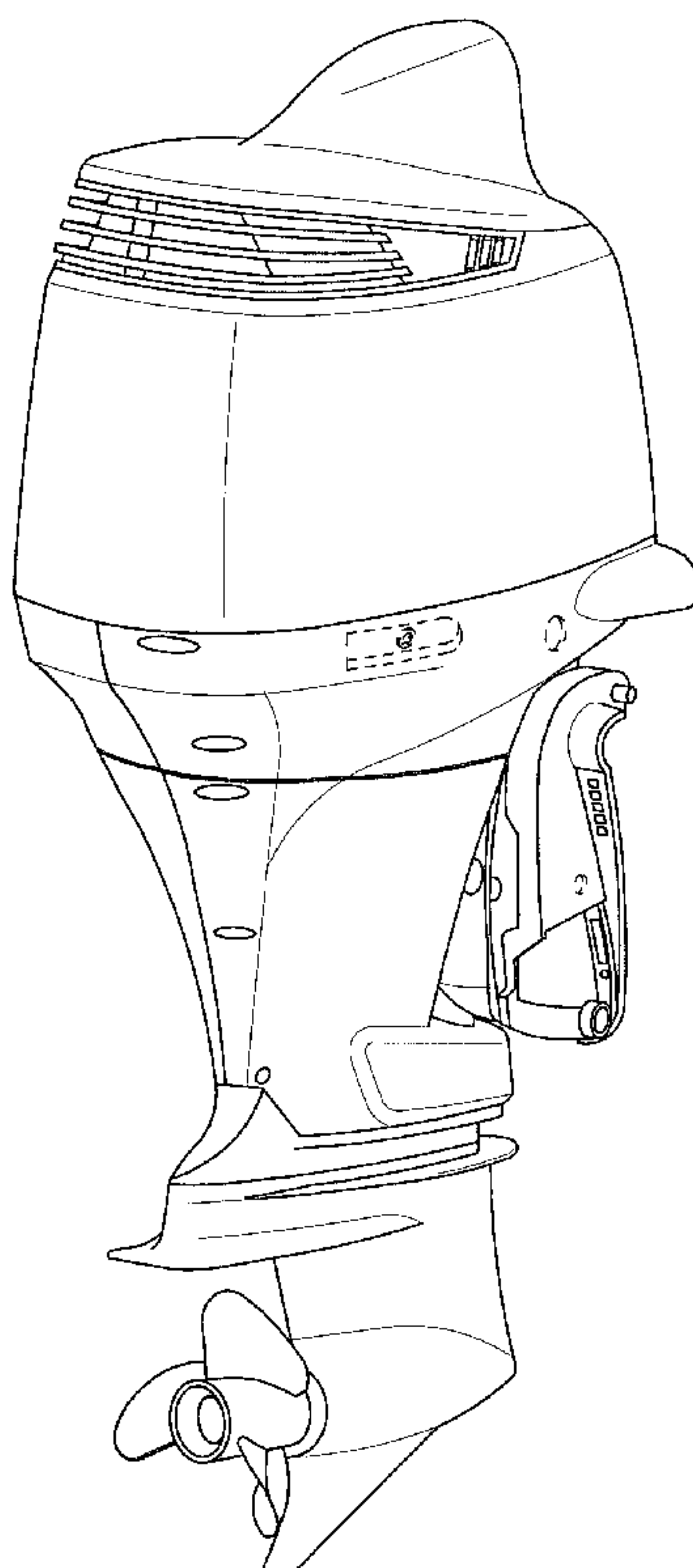


FIG. 1

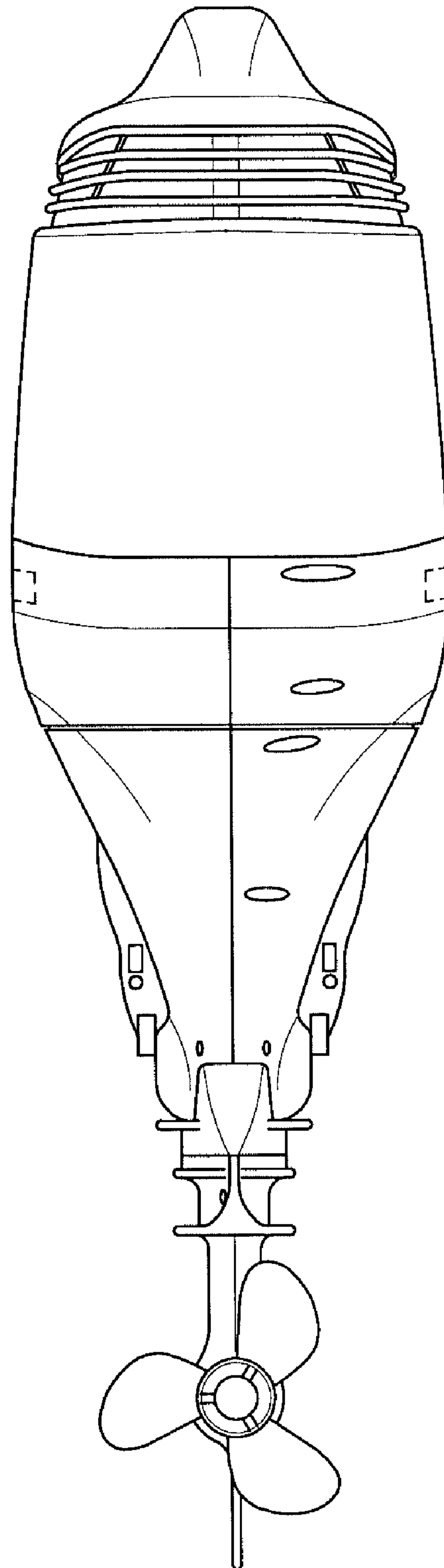


FIG. 2

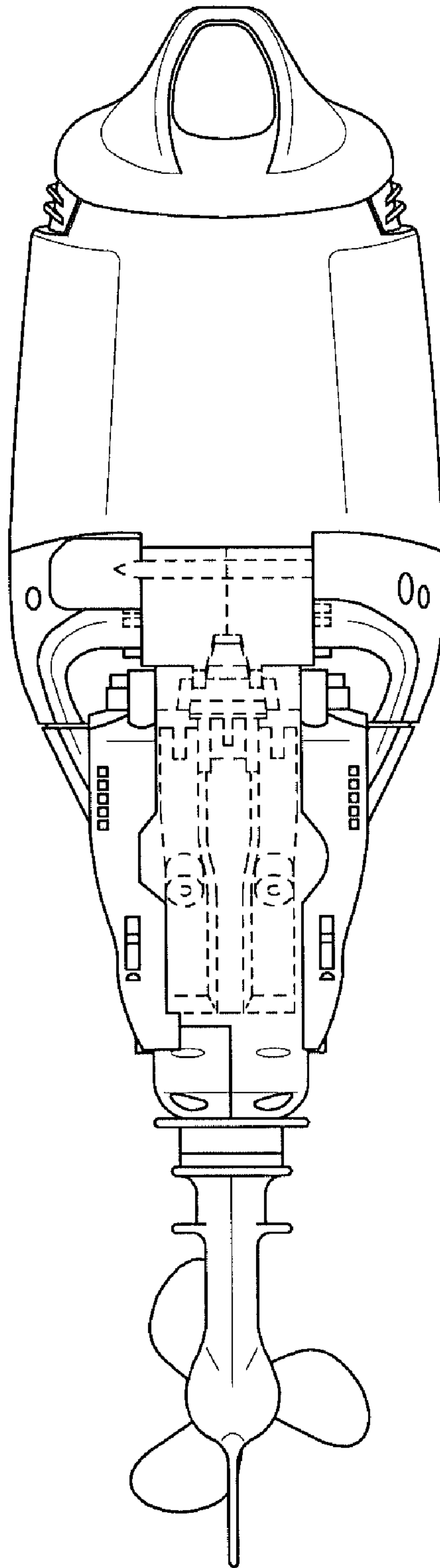


FIG. 3

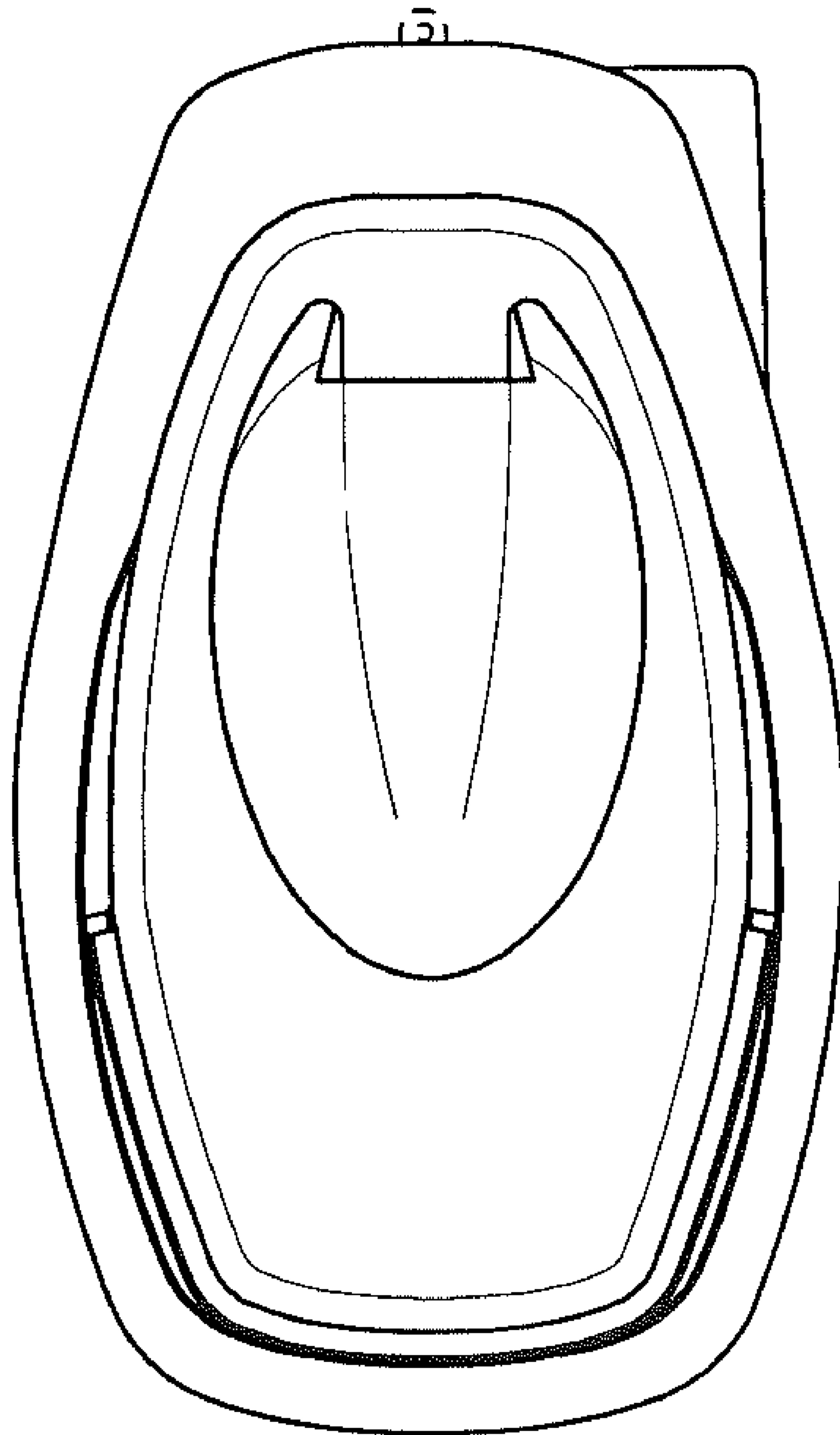


FIG. 4

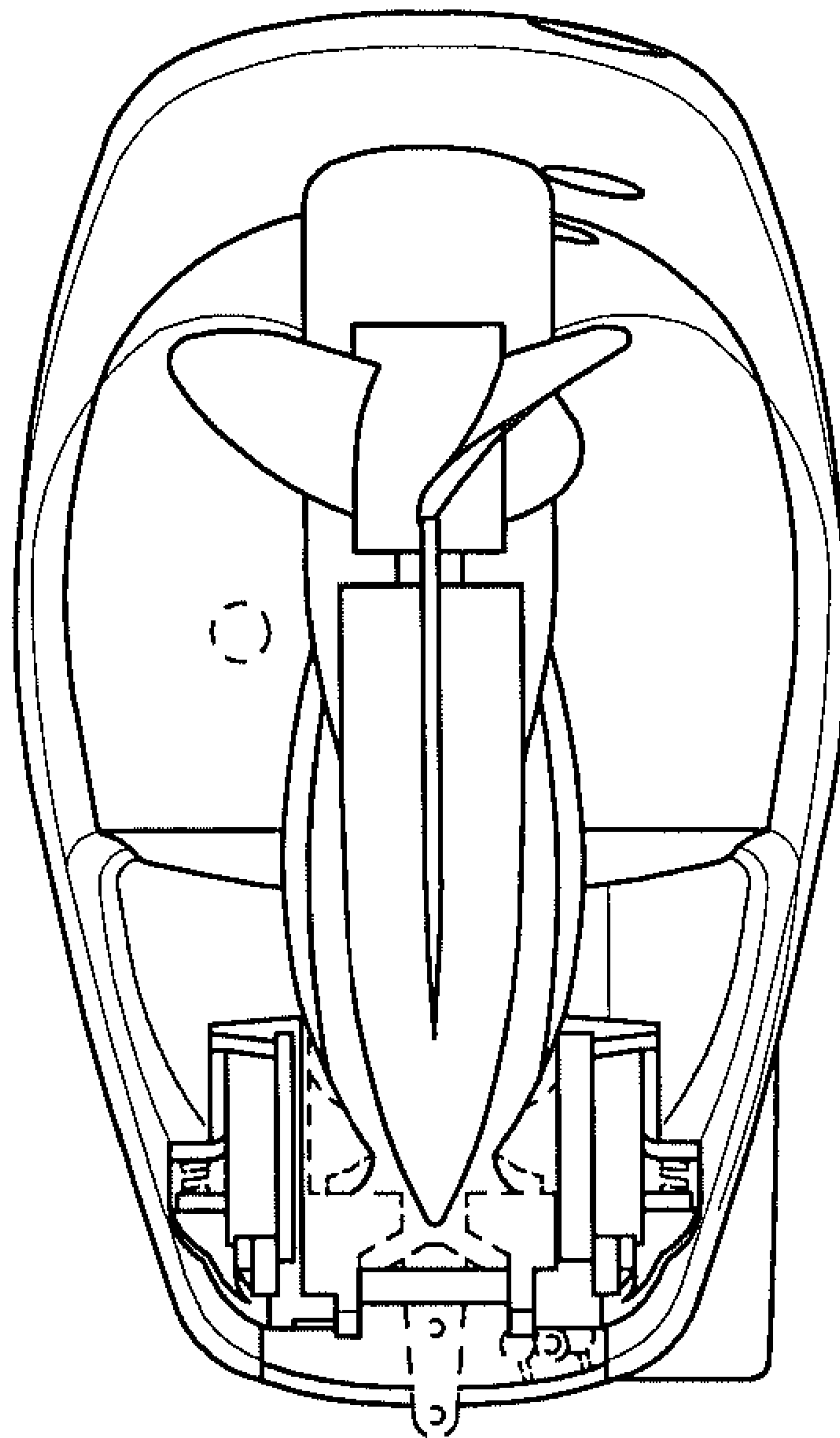


FIG. 5

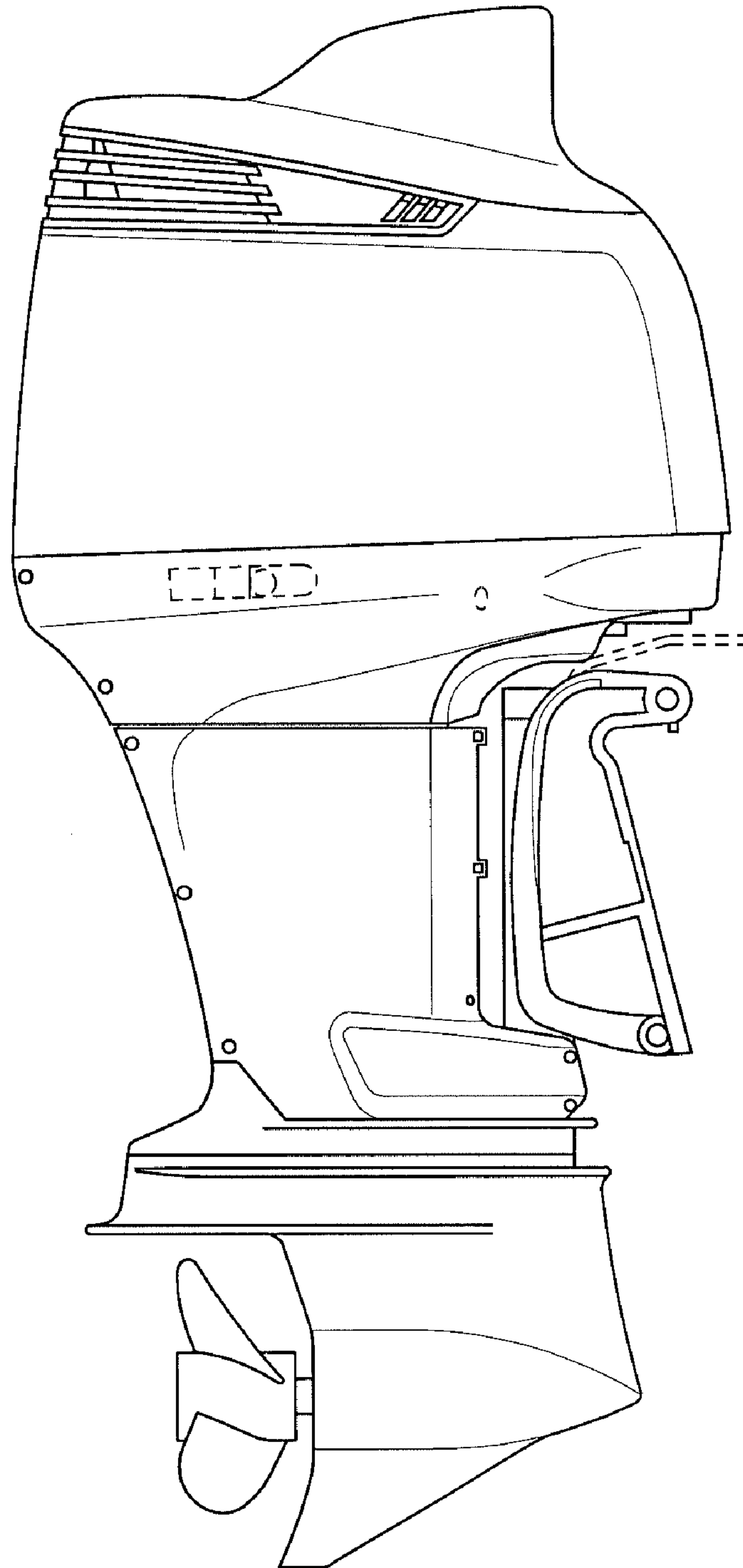


FIG. 6

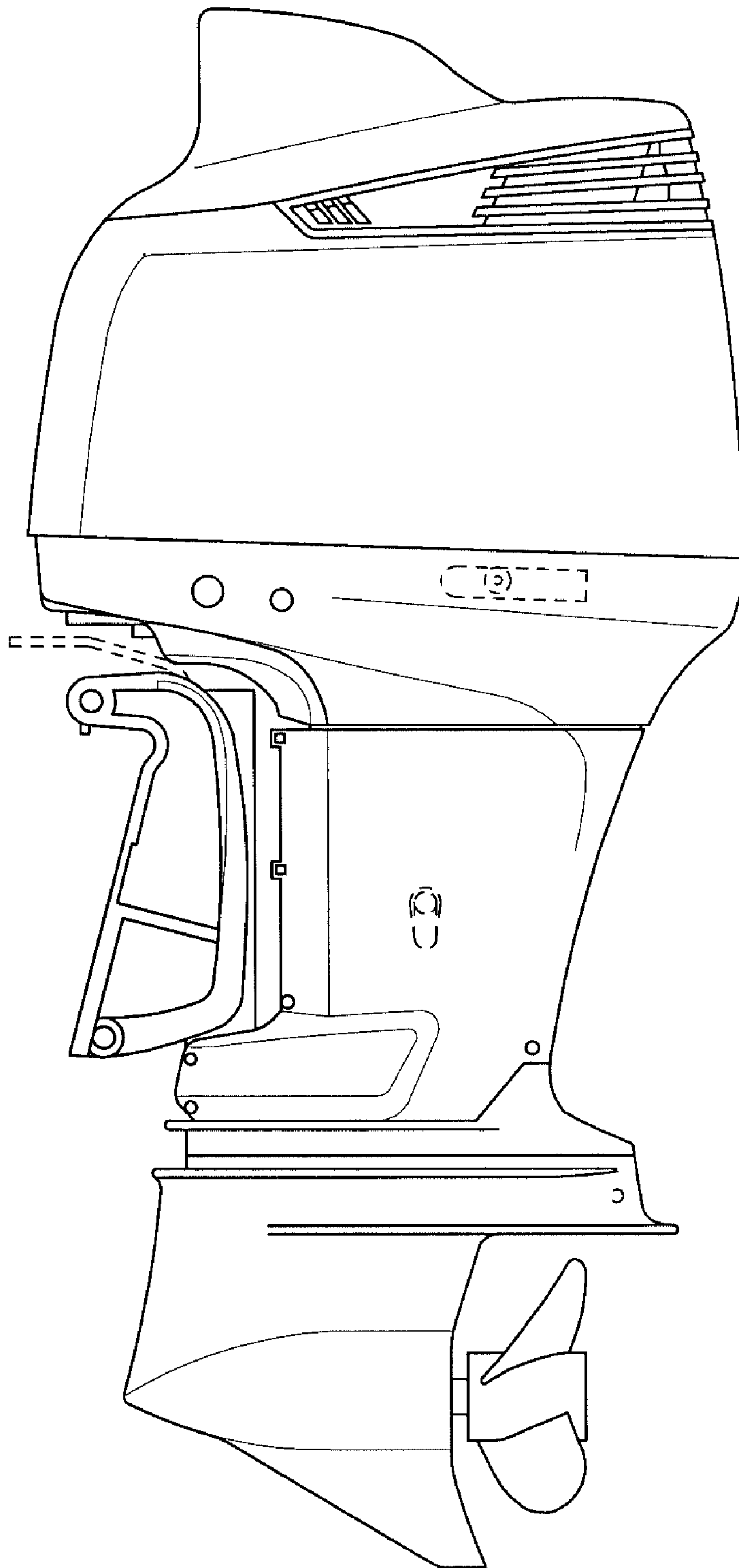


FIG. 7

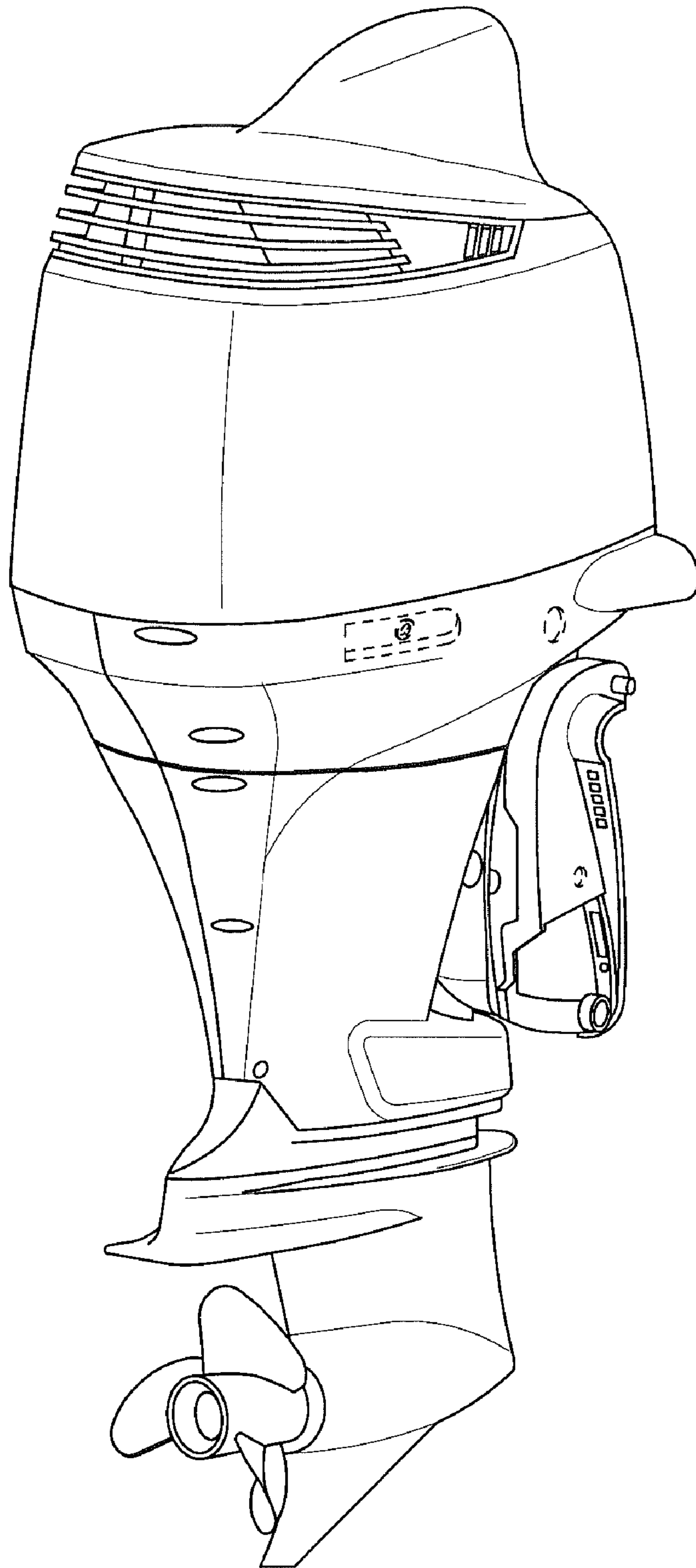


FIG. 8

