



US00D666623S

(12) **United States Design Patent**
Harper et al.

(10) **Patent No.:** **US D666,623 S**

(45) **Date of Patent:** **** Sep. 4, 2012**

(54) **ARM OF STAND**

(75) Inventors: **Pierre Harper**, Santa Cruz, CA (US);
Kai Halsinger, Portland, OR (US);
David Sayler, Portland, OR (US)

(73) Assignee: **Wacom Co., Ltd.**, Kazo-shi (JP)

(**) Term: **14 Years**

(21) Appl. No.: **29/407,368**

(22) Filed: **Nov. 28, 2011**

(30) **Foreign Application Priority Data**

May 27, 2011 (JP) 2011-011890

(51) **LOC (9) Cl.** **08-07**

(52) **U.S. Cl.** **D14/452**

(58) **Field of Classification Search** D14/447,
D14/432, 434, 457, 452, 451; D3/218; D6/406.3,
D6/406.4, 406.5, 406.6; D8/363, 373, 380;
248/917-924, 139, 149, 150, 155.2, 371,
248/415, 179.3, 324, 687, 688, 441.1, 447,
248/454, 455, 456, 457, 460; 361/679.04-679.09,
361/679.21, 679.26, 379.55, 679.56
See application file for complete search history.

(56) **References Cited**

U.S. PATENT DOCUMENTS

- D494,977 S * 8/2004 Persson D14/447
- 6,816,365 B2 * 11/2004 Hill et al. 361/679.44
- D554,647 S * 11/2007 Chan D14/447
- D573,598 S * 7/2008 Chu D14/447
- D577,361 S * 9/2008 Beilstein et al. D14/447
- D589,964 S * 4/2009 Heggland et al. D14/434
- D596,187 S * 7/2009 Martell D14/447
- D626,964 S * 11/2010 Richardson et al. D14/447
- D636,777 S * 4/2011 Corsini et al. D14/434
- D638,638 S * 5/2011 Fitzpatrick et al. D6/429
- D644,230 S * 8/2011 Lin D14/447
- 2008/0006753 A1 * 1/2008 Campagnoli et al. 248/398

FOREIGN PATENT DOCUMENTS

JP 2009-069554 A 4/2009

* cited by examiner

Primary Examiner — Cynthia Ramirez

(74) *Attorney, Agent, or Firm* — Christensen O'Connor Johnson Kindness PLLC

(57) **CLAIM**

The ornamental design for an arm of a stand, as shown and described.

DESCRIPTION

FIG. 1 is a front elevation view of an arm of a stand showing our new design, wherein the arm is shown in a first position relative to the stand and an arm lever which are illustrated as environmental subject matter;

FIG. 2 is a rear elevation view thereof;

FIG. 3 is a left side elevation view thereof, wherein the right side elevation view is a mirror image of FIG. 3;

FIG. 4 is a top plan view thereof;

FIG. 5 is a bottom plan view thereof;

FIG. 6 is a front right isometric view thereof;

FIG. 7 is an additional left side elevation view thereof, wherein the arm is shown in a second position relative to the stand and arm lever which are illustrated as environmental subject matter, and wherein the right side is a mirror image of FIG. 7;

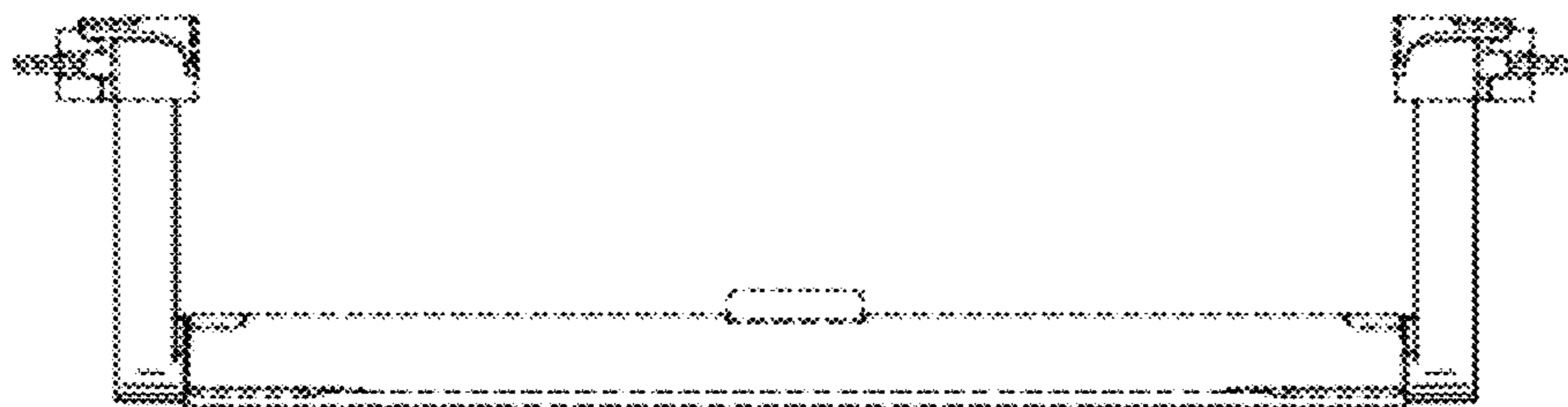
FIG. 8 is an additional left side elevation view thereof, wherein the arm is shown in a third position relative to the stand and arm lever which are illustrated as environmental subject matter, and wherein the right side is a mirror image of FIG. 8;

FIG. 9 is an additional front right isometric view thereof, further illustrating a display as environmental subject matter, wherein the arm is shown in the first position; and,

FIG. 10 is an additional front right isometric view thereof, further illustrating a display as environmental subject matter, wherein the arm is shown in the third position.

The broken lines in FIGS. 1 through 10 illustrate environmental subject matter and form no part of the claimed design.

1 Claim, 4 Drawing Sheets



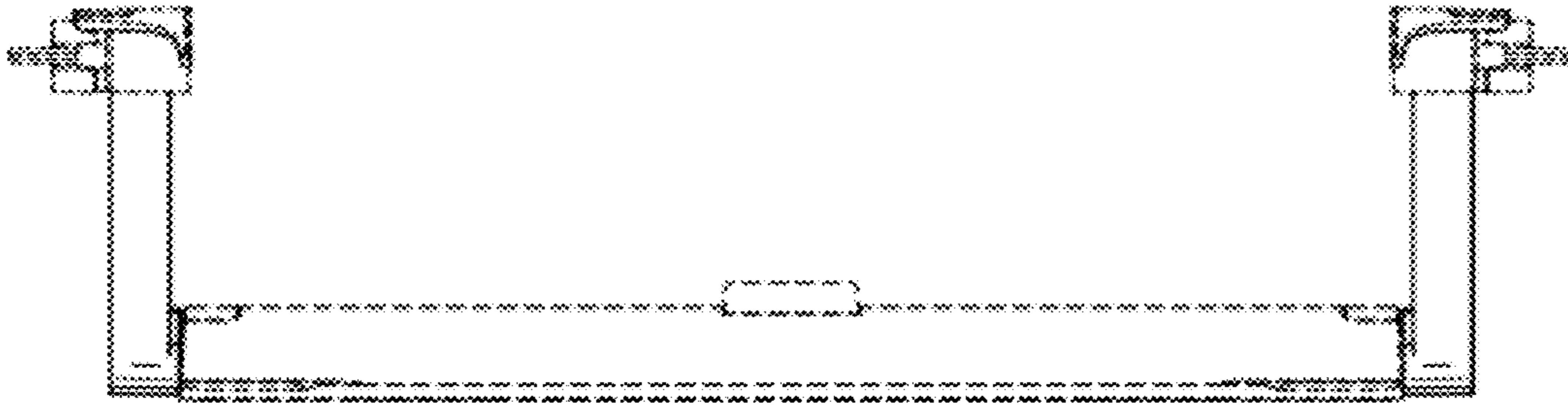


Fig. 1.

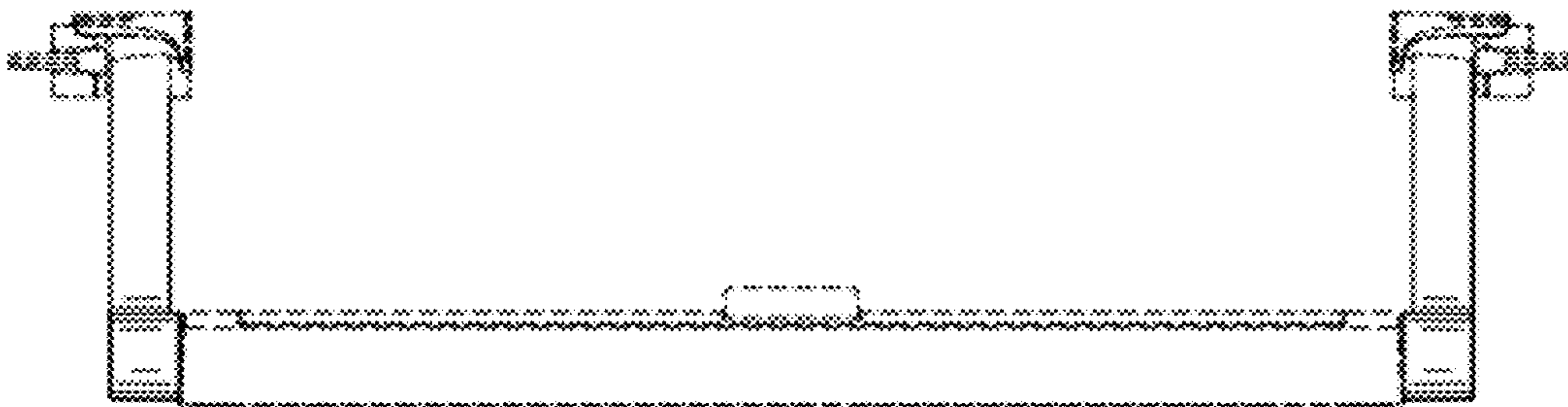


Fig. 2.

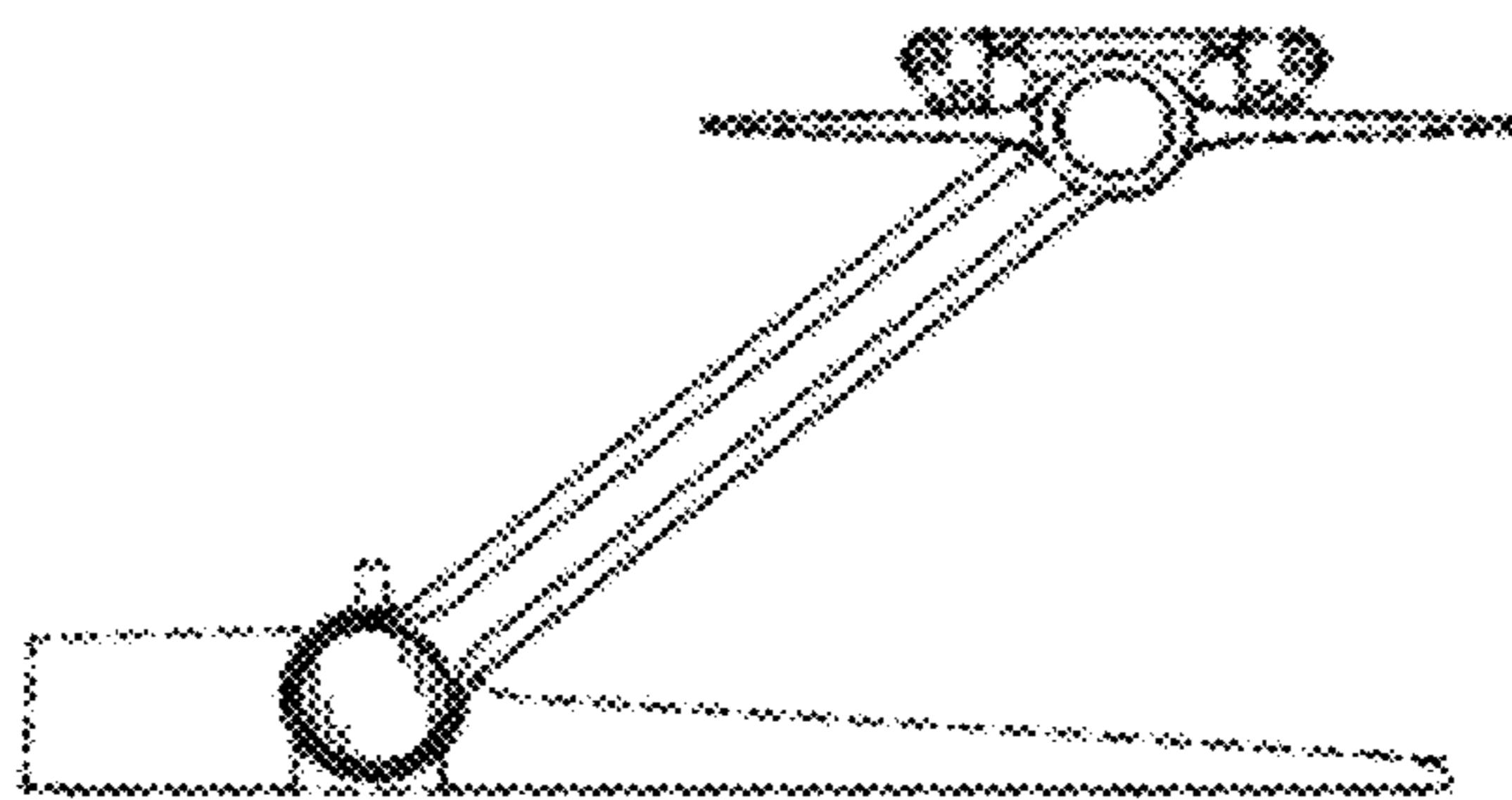


Fig. 3.

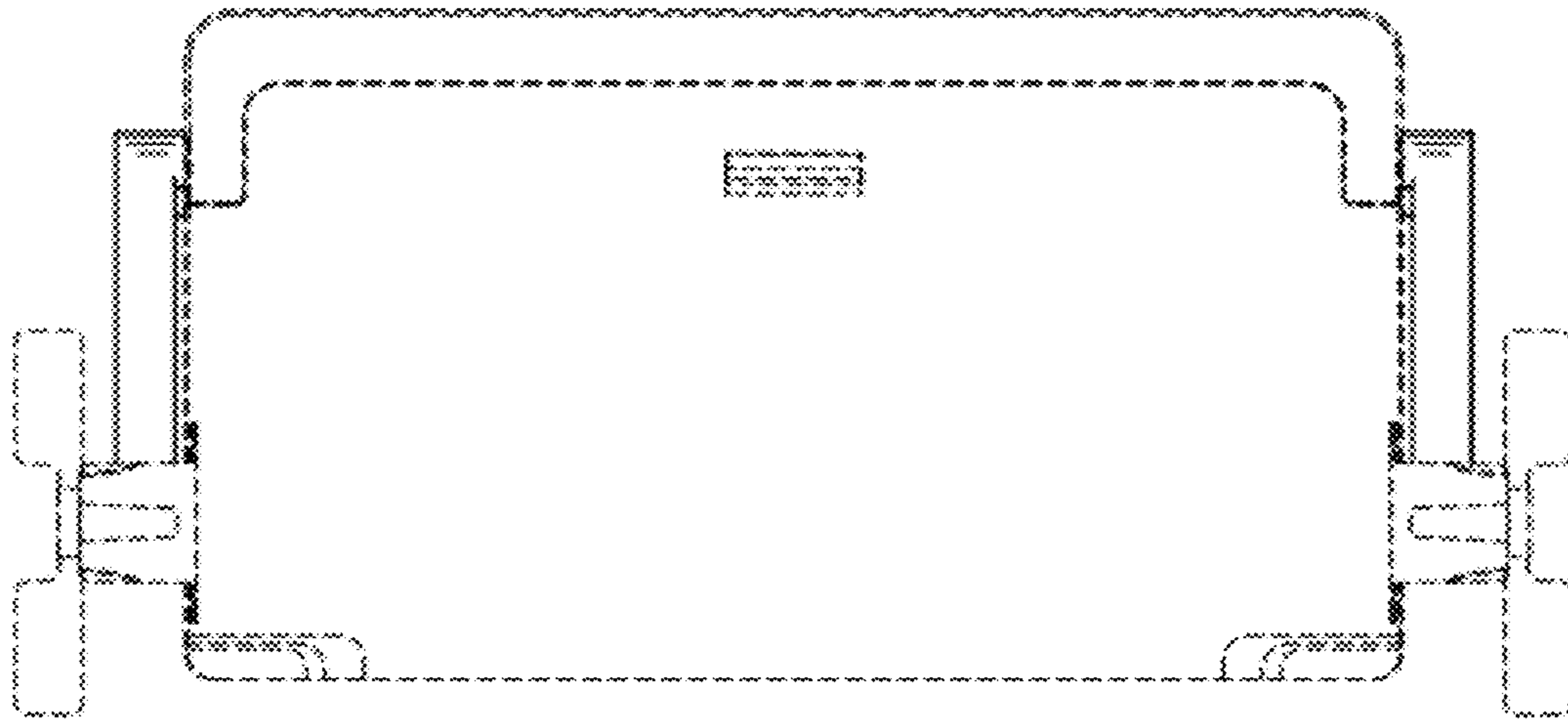


Fig. 4.

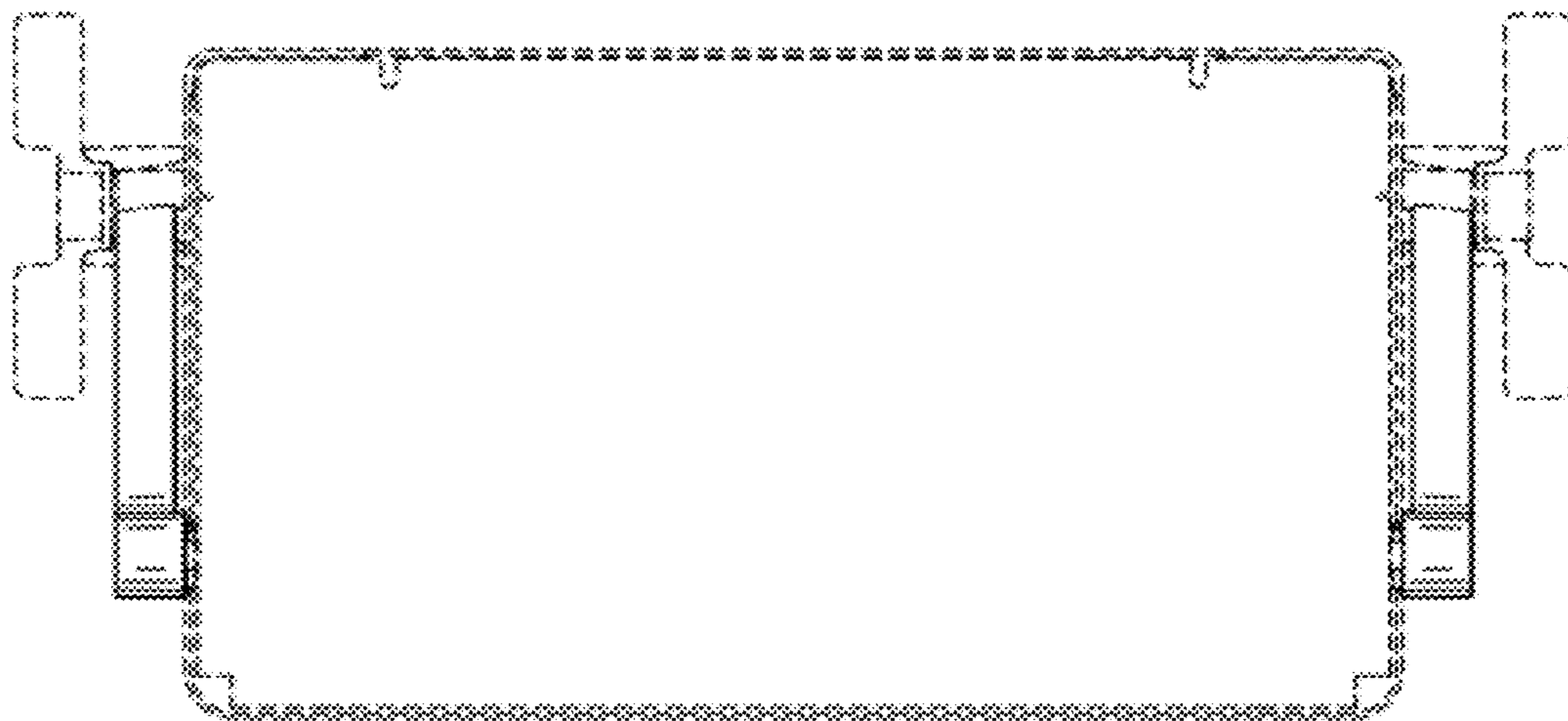


Fig. 5.

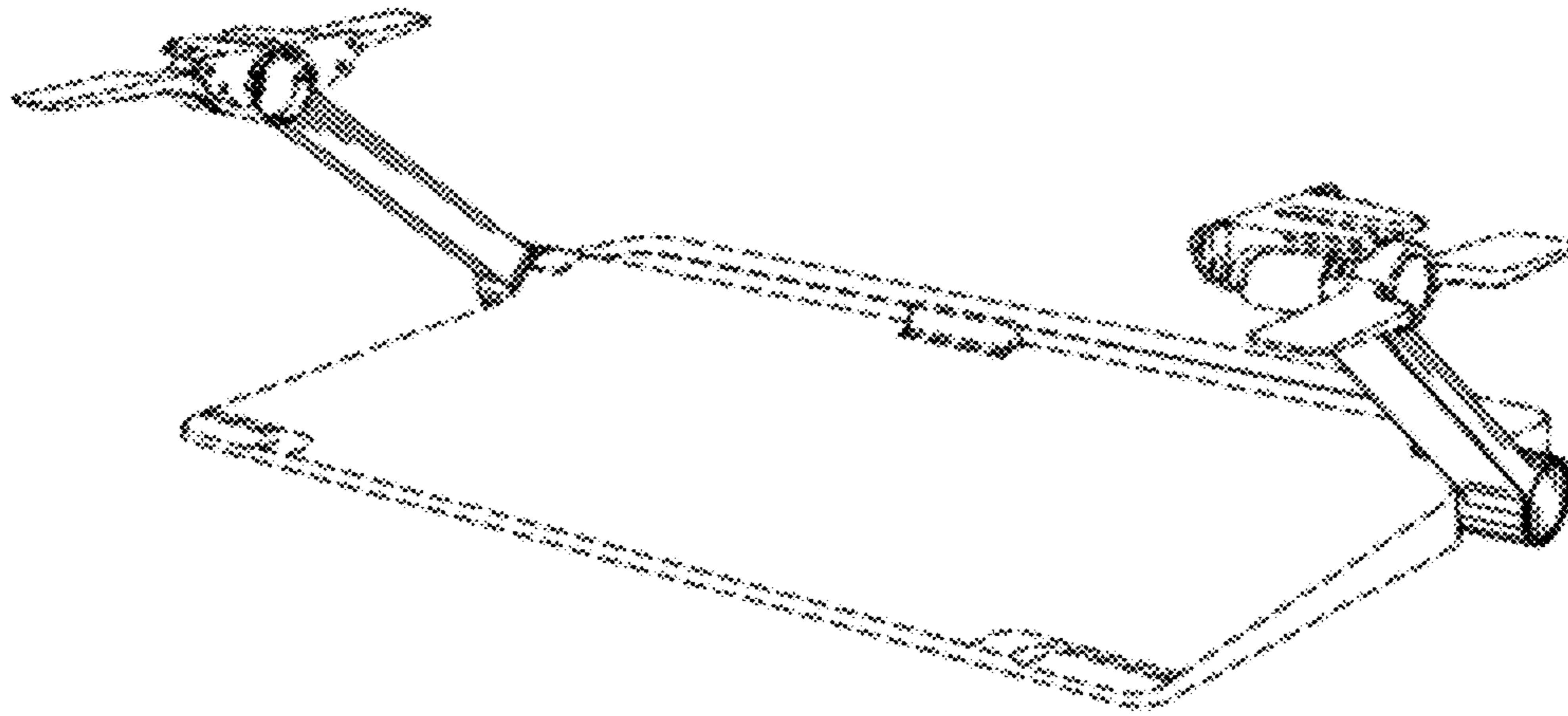


Fig. 6.

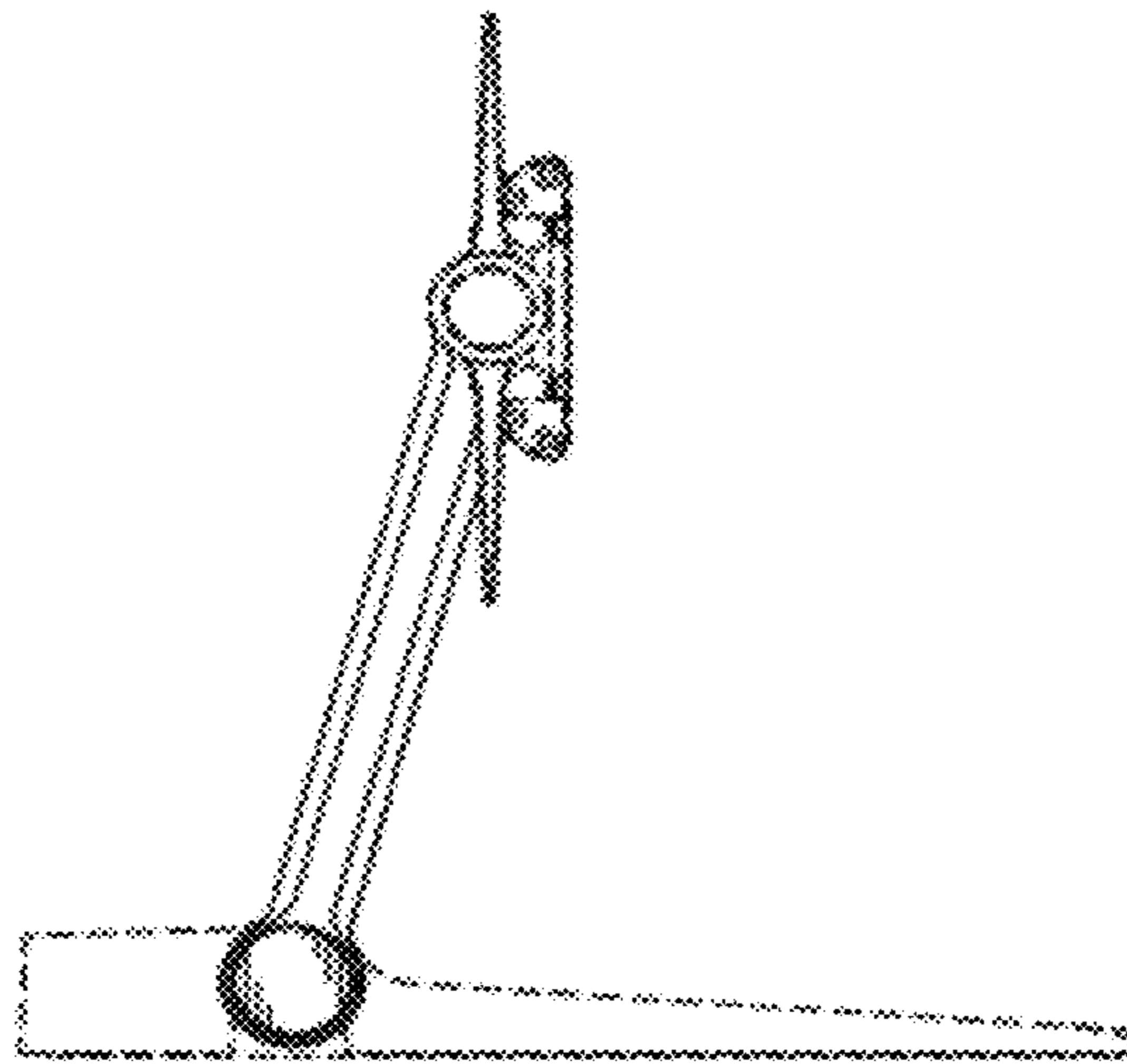


Fig. 7.

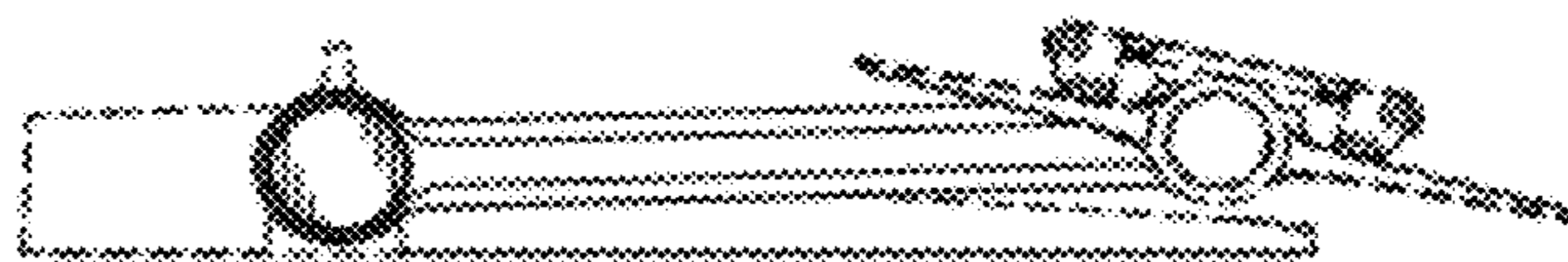


Fig. 8.

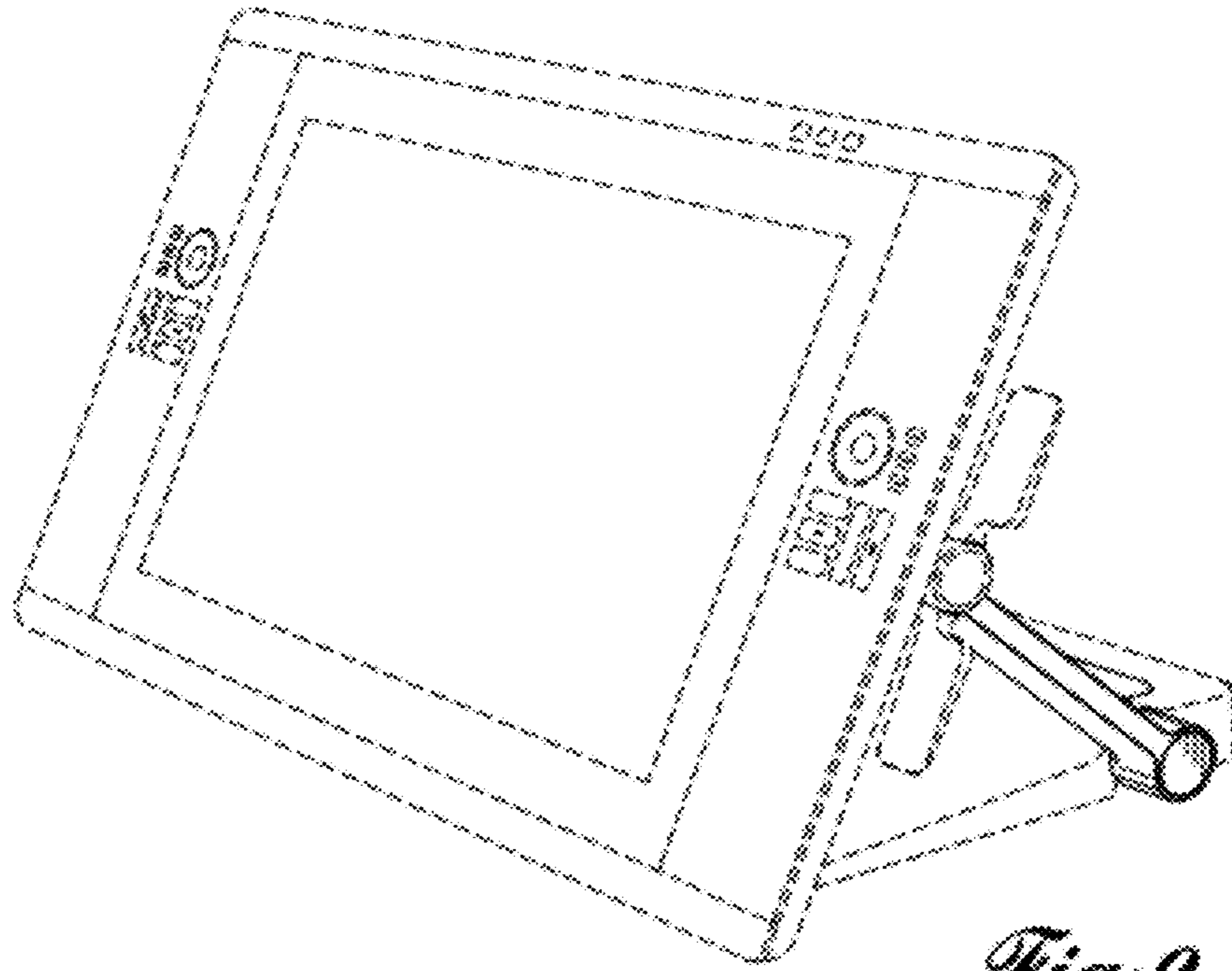


Fig. 9.

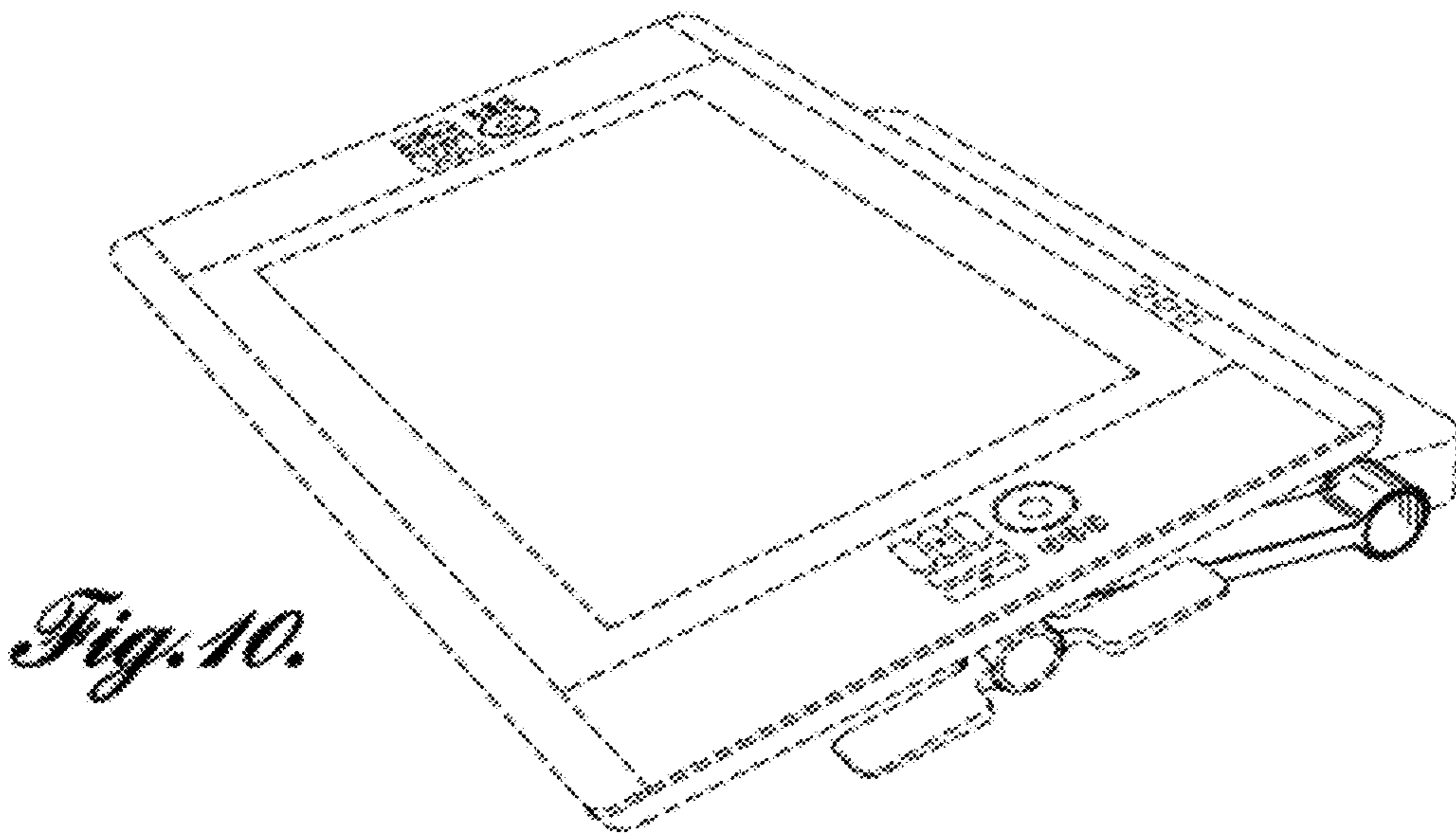


Fig. 10.