



US00D666621S

(12) **United States Design Patent**  
**Harper et al.**

(10) **Patent No.:** **US D666,621 S**

(45) **Date of Patent:** **\*\* Sep. 4, 2012**

(54) **BASE OF STAND**

(75) Inventors: **Pierre Harper**, Santa Cruz, CA (US);  
**Kai Halsinger**, Portland, OR (US);  
**David Sayler**, Portland, OR (US)

(73) Assignee: **Wacom Co., Ltd.**, Kazo-shi (JP)

(\*\*) Term: **14 Years**

(21) Appl. No.: **29/407,367**

(22) Filed: **Nov. 28, 2011**

(30) **Foreign Application Priority Data**

May 27, 2011 (JP) ..... 2011-011889

(51) **LOC (9) Cl.** ..... **08-07**

(52) **U.S. Cl.** ..... **D14/451**

(58) **Field of Classification Search** ..... D14/447,  
D14/432, 434, 457, 452, 451; D3/218; D6/406.3,  
D6/406.4, 406.5, 406.6; D8/363, 373, 380;  
248/917-924, 139, 149, 150, 155.2, 371,  
248/415, 179.3, 324, 687, 688, 441.1, 447,  
248/454, 455, 456, 457, 460; 361/679.04-679.09,  
361/679.21, 679.26, 379.55, 679.56  
See application file for complete search history.

(56) **References Cited**

**U.S. PATENT DOCUMENTS**

D330,021 S \* 10/1992 Kline et al. .... D14/447  
D459,729 S \* 7/2002 Goto ..... D14/451  
D494,977 S \* 8/2004 Persson ..... D14/447  
6,816,365 B2 \* 11/2004 Hill et al. .... 361/679.44  
D554,647 S \* 11/2007 Chan ..... D14/447  
D573,598 S \* 7/2008 Chu ..... D14/447  
D577,361 S \* 9/2008 Beilstein et al. .... D14/447

D589,964 S \* 4/2009 Heggland et al. .... D14/434  
D596,187 S \* 7/2009 Martell ..... D14/447  
D626,964 S \* 11/2010 Richardson et al. .... D14/447  
D636,777 S \* 4/2011 Corsini et al. .... D14/434  
D638,638 S \* 5/2011 Fitzpatrick et al. .... D6/429  
D644,230 S \* 8/2011 Lin ..... D14/447  
2008/0006753 A1 \* 1/2008 Campagnoli et al. .... 248/398

\* cited by examiner

*Primary Examiner* — Cynthia Ramirez

(74) *Attorney, Agent, or Firm* — Christensen O'Connor  
Johnson Kindness PLLC

(57) **CLAIM**

The ornamental design for a base of a stand, as shown and  
described.

**DESCRIPTION**

FIG. 1 is a front elevation view of a base of a stand showing  
our new design, wherein an arm of the stand is in a first  
position;

FIG. 2 is a rear elevation view thereof;

FIG. 3 is a left side elevation view thereof, wherein the right  
side elevation view is a mirror image of FIG. 3;

FIG. 4 is a top plan view thereof;

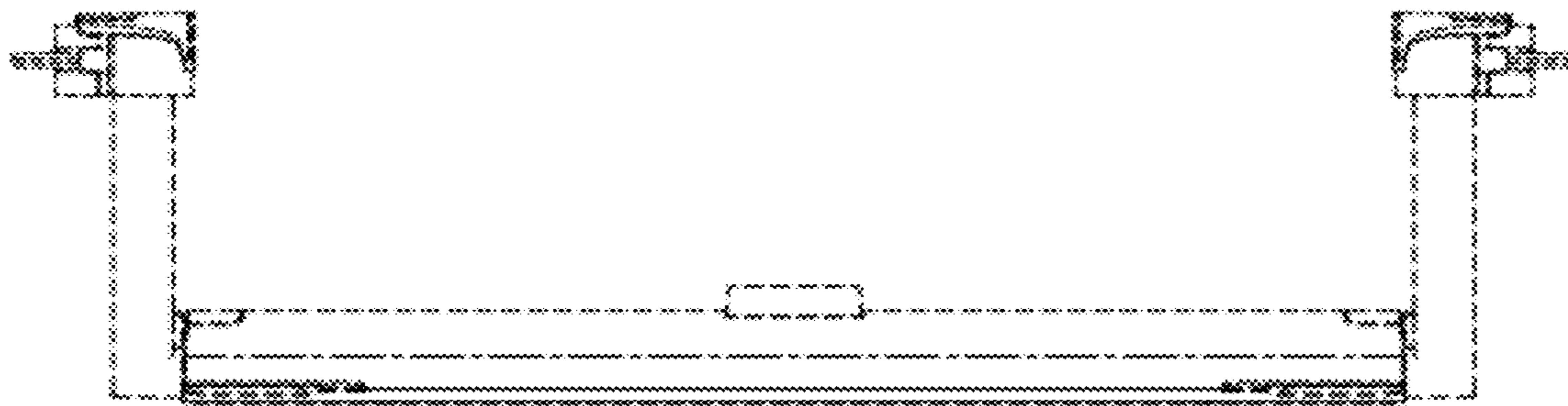
FIG. 5 is a bottom plan view thereof;

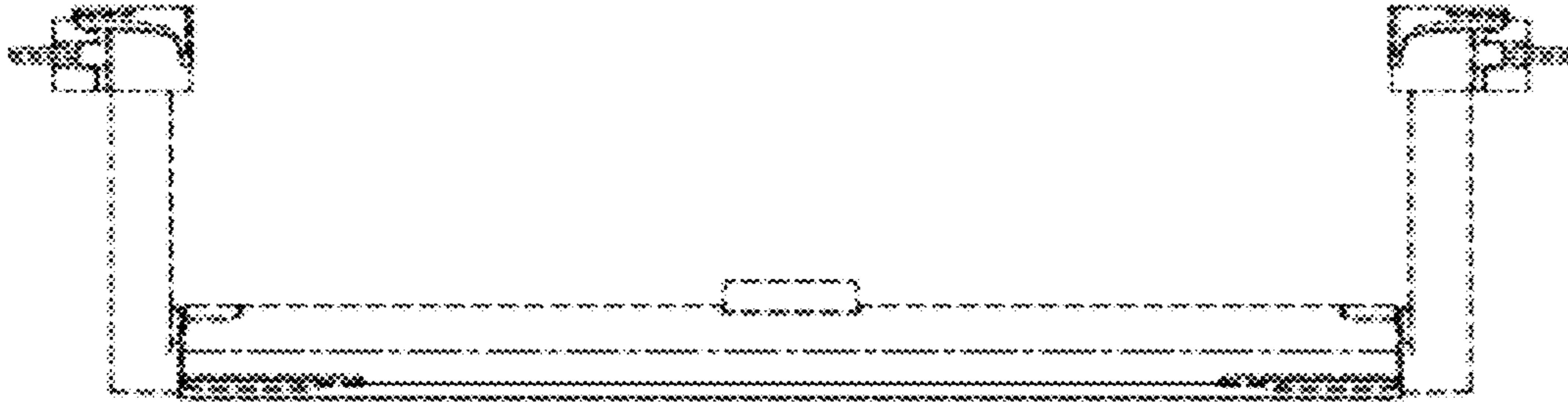
FIG. 6 is a front right isometric view thereof; and,

FIG. 7 is an additional front right isometric view thereof,  
further illustrating a display supported by the stand as envi-  
ronmental subject matter, wherein the arm of the stand is in a  
second position.

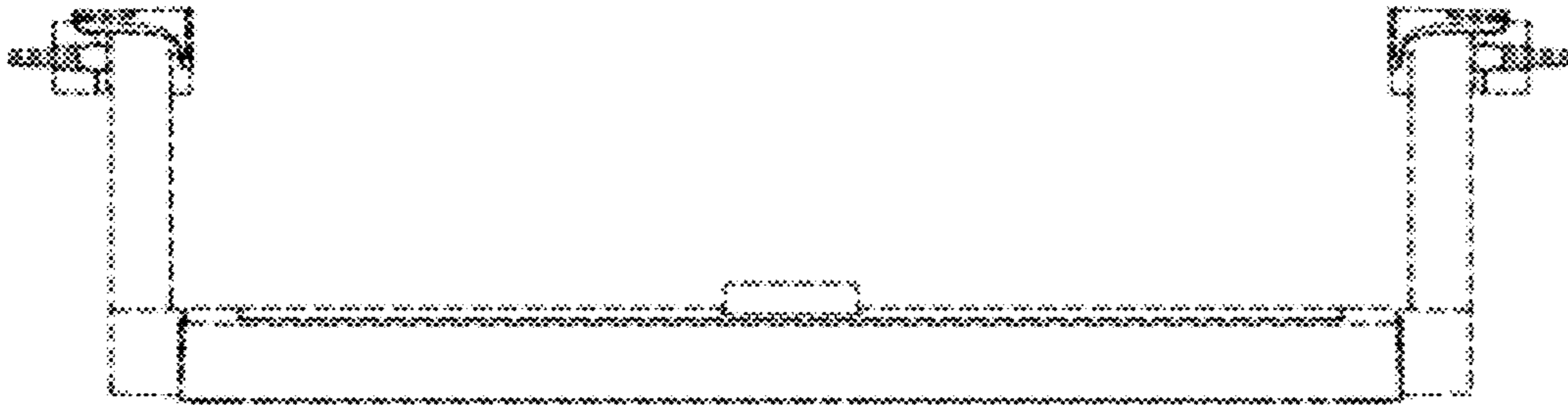
The broken lines in FIGS. 1 through 7 illustrate environmen-  
tal subject matter of the display and form no part of the  
claimed design.

**1 Claim, 3 Drawing Sheets**

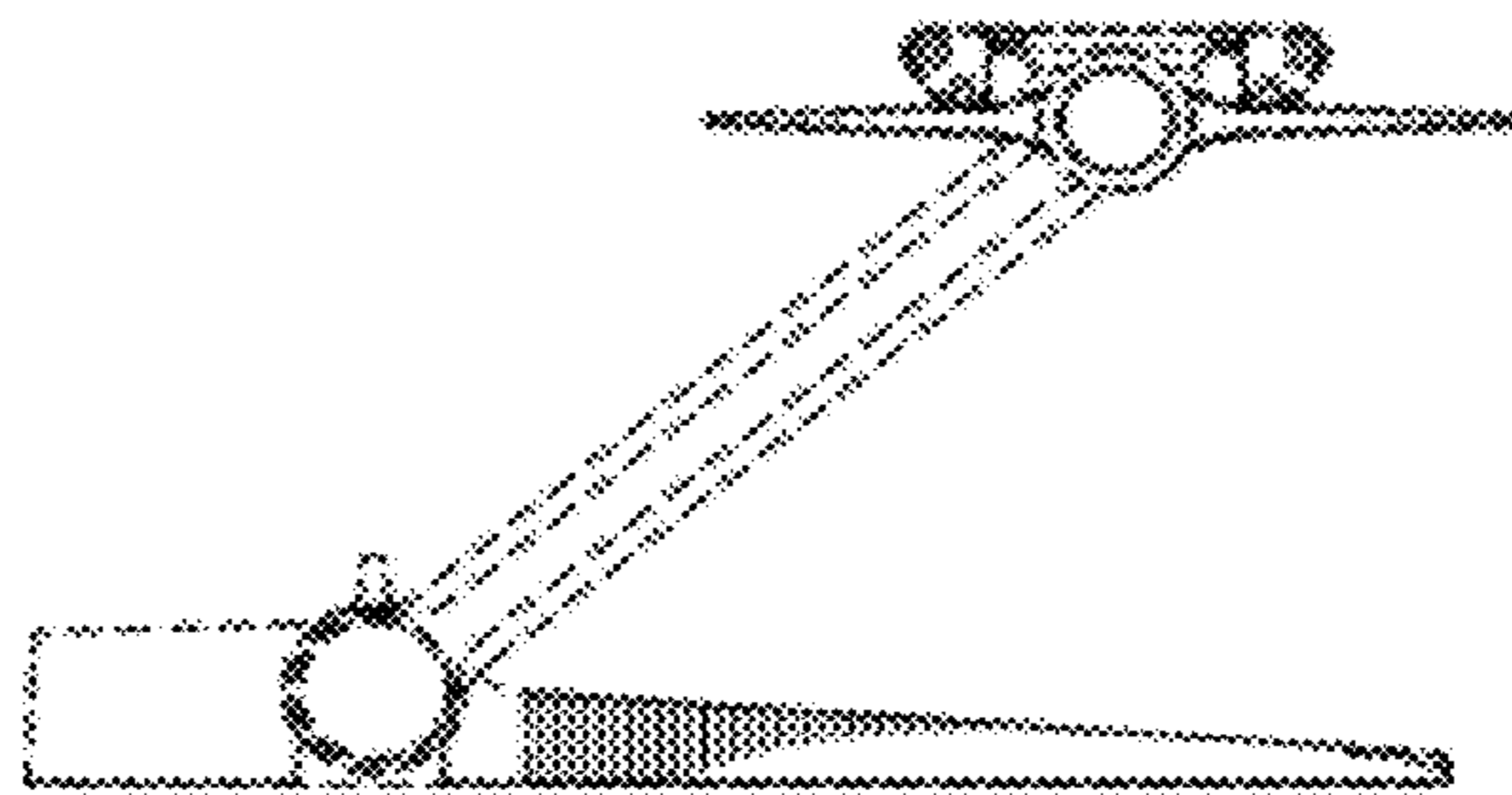




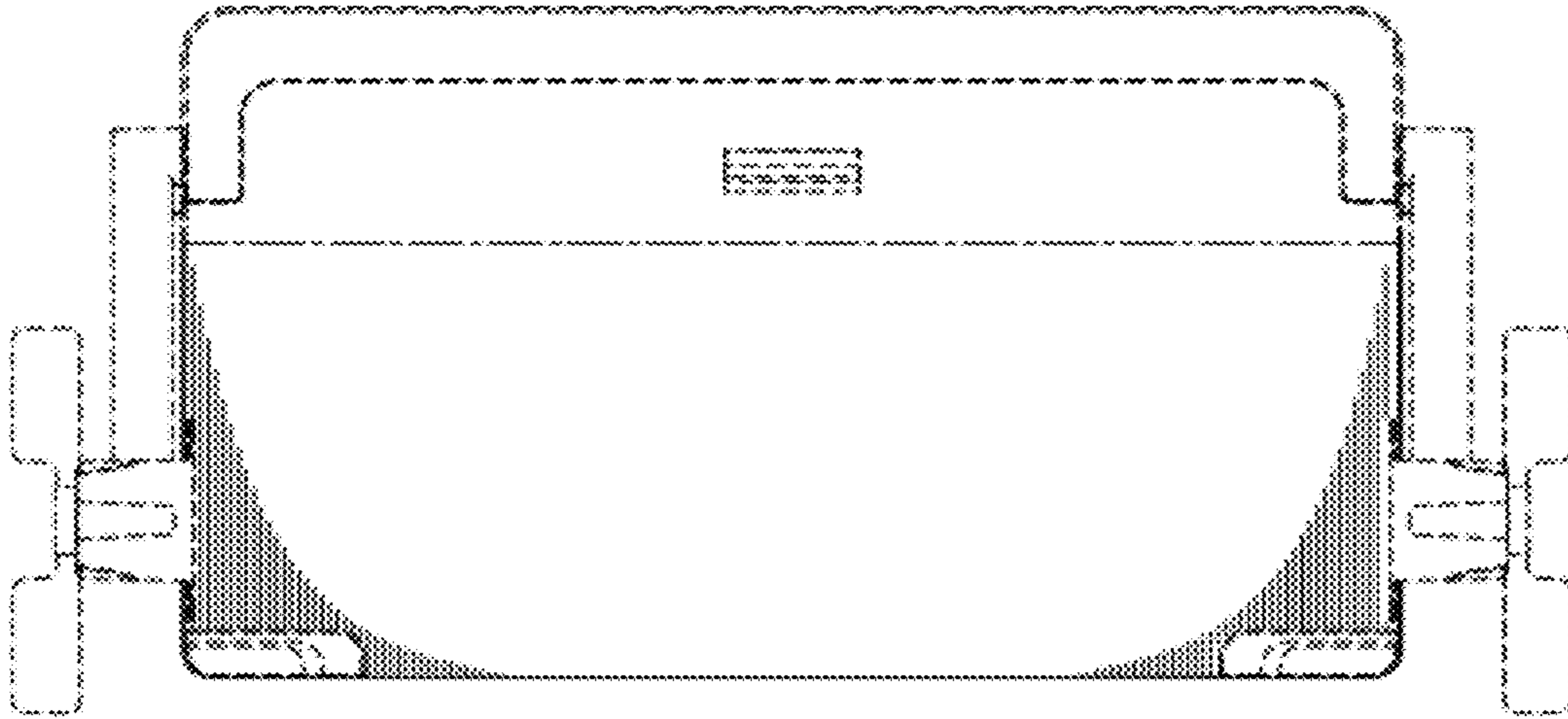
*Fig. 1.*



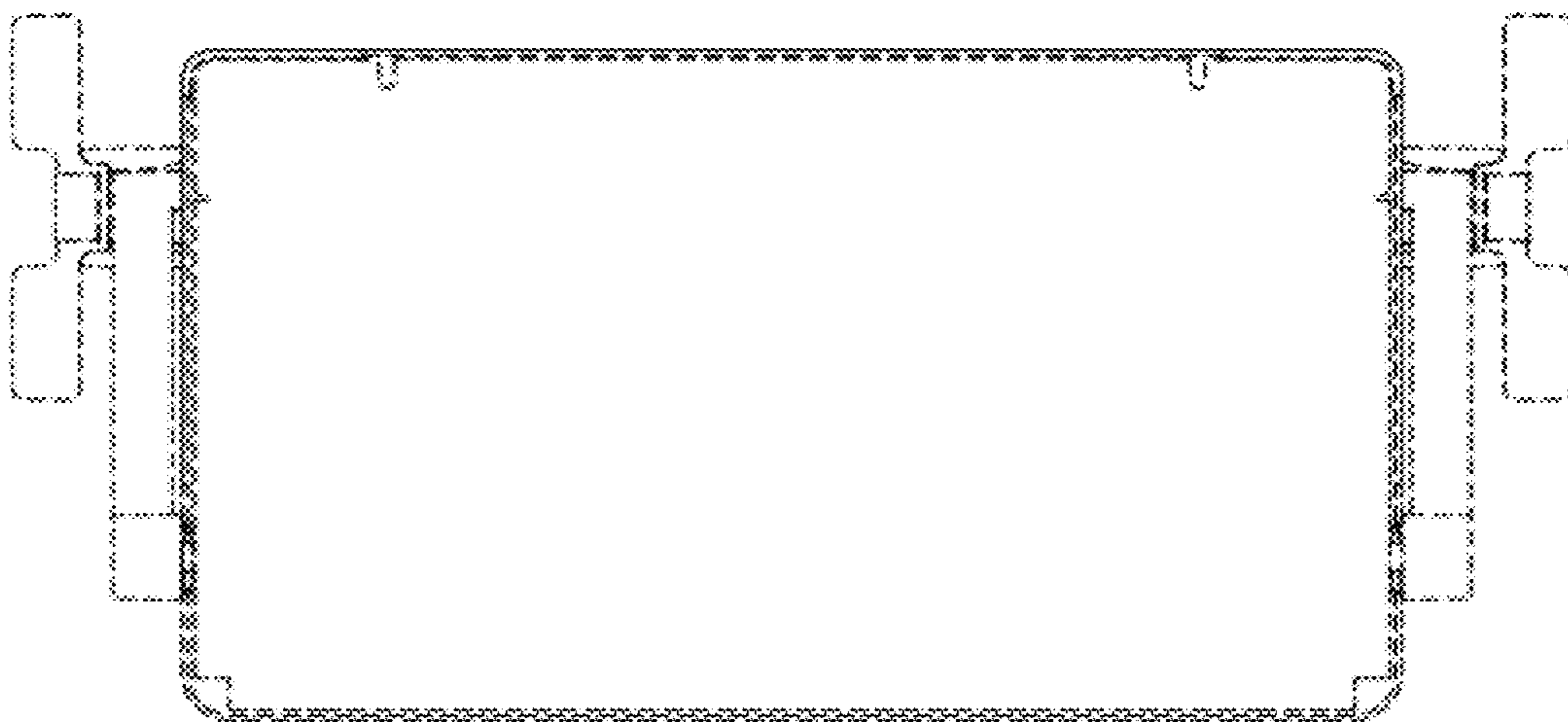
*Fig. 2.*



*Fig. 3.*

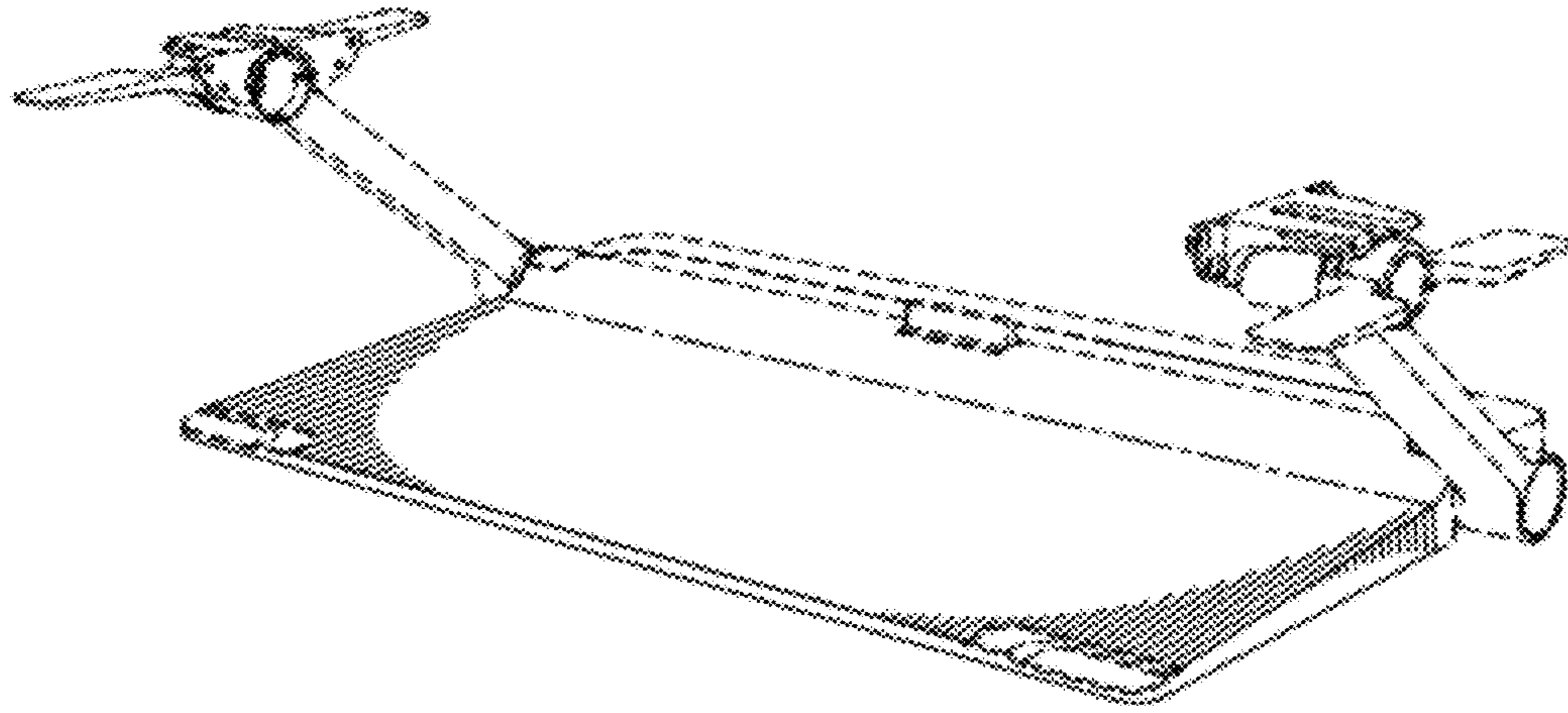


*Fig. 4.*

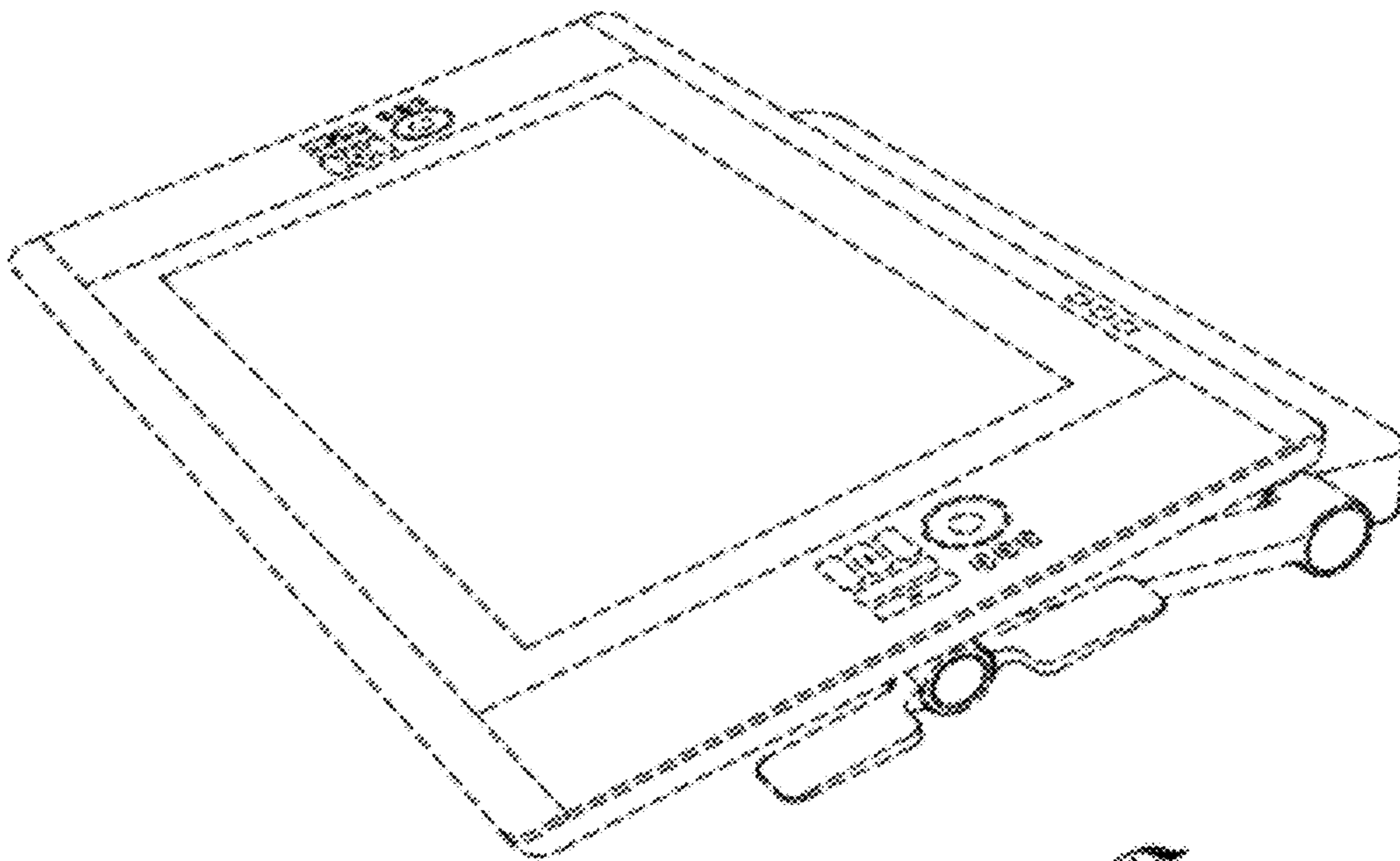


*Fig. 5.*





*Fig. 6.*



*Fig. 7.*