



US00D666618S

(12) **United States Design Patent**
Doyea et al.

(10) **Patent No.:** **US D666,618 S**

(45) **Date of Patent:** **** Sep. 4, 2012**

(54) **INTEGRATED TOUCH SCREEN DISPLAY**

(75) Inventors: **Shawn M. Doyea**, Everett, WA (US);
Michael Y. Utsugi, Everett, WA (US);
Felice M. Sciulli, Everett, WA (US)

(73) Assignee: **Korry Electronics Co.**, Everett, WA (US)

(**) Term: **14 Years**

(21) Appl. No.: **29/399,916**

(22) Filed: **Aug. 19, 2011**

(51) **LOC (9) Cl.** **14-02**

(52) **U.S. Cl.** **D14/371**

(58) **Field of Classification Search** D14/371-376,
D14/125-129, 317, 331, 336, 337, 341, 383-385;
D6/300, 308; D10/20; 248/917-924, 176.1,
248/278.1; 345/104, 156, 173, 174, 901-905;
348/180, 184, 325, 739; 361/679.08, 679.21,
361/679.23; 349/1, 2, 11

See application file for complete search history.

(56) **References Cited**

U.S. PATENT DOCUMENTS

D477,318 S * 7/2003 Shiao D14/336

D506,195 S * 6/2005 Leveridge et al. D14/341
D507,566 S * 7/2005 Leisinger et al. D14/336
D525,973 S * 8/2006 Julian et al. D14/371
D571,560 S * 6/2008 Liu et al. D6/300
D638,834 S * 5/2011 Wesolek D14/341

* cited by examiner

Primary Examiner — Freda S Nunn

(74) *Attorney, Agent, or Firm* — Perkins Coie LLP

(57) **CLAIM**

The ornamental design for the integrated touch screen display, as shown and described.

DESCRIPTION

FIG. 1 is an isometric view of an embodiment of an integrated touch screen display showing our new design.

FIG. 2 is a front elevational view of the embodiment.

FIG. 3 is a rear elevational view of the embodiment.

FIG. 4 is a right-side elevational view of the embodiment.

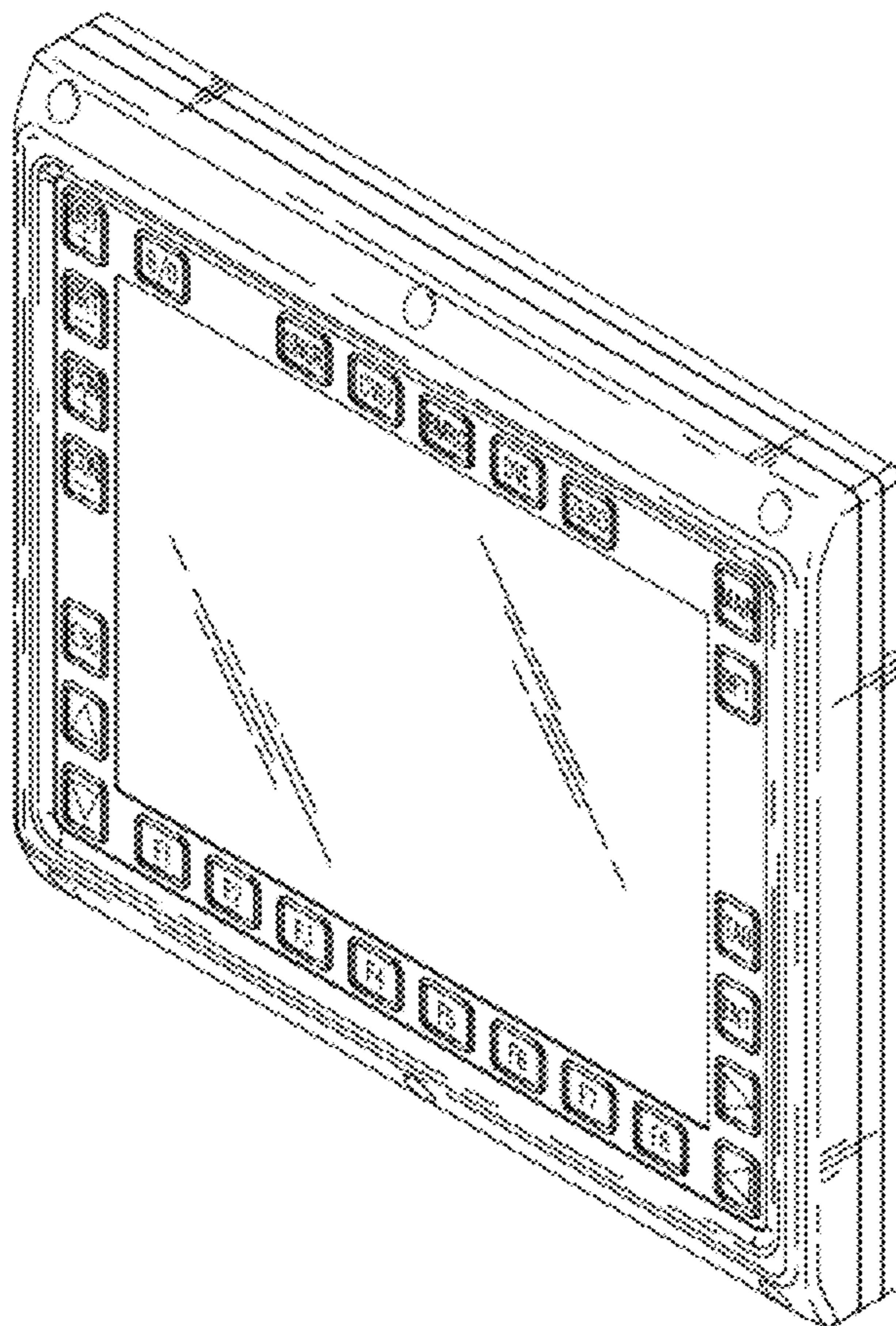
FIG. 5 is a left-side elevational view of the embodiment.

FIG. 6 is a top plan view of the embodiment; and,

FIG. 7 is a bottom plan view of the embodiment.

Any broken lines and/or patterns in the drawing are for illustrative purposes only and form no part of the claimed design.

1 Claim, 4 Drawing Sheets



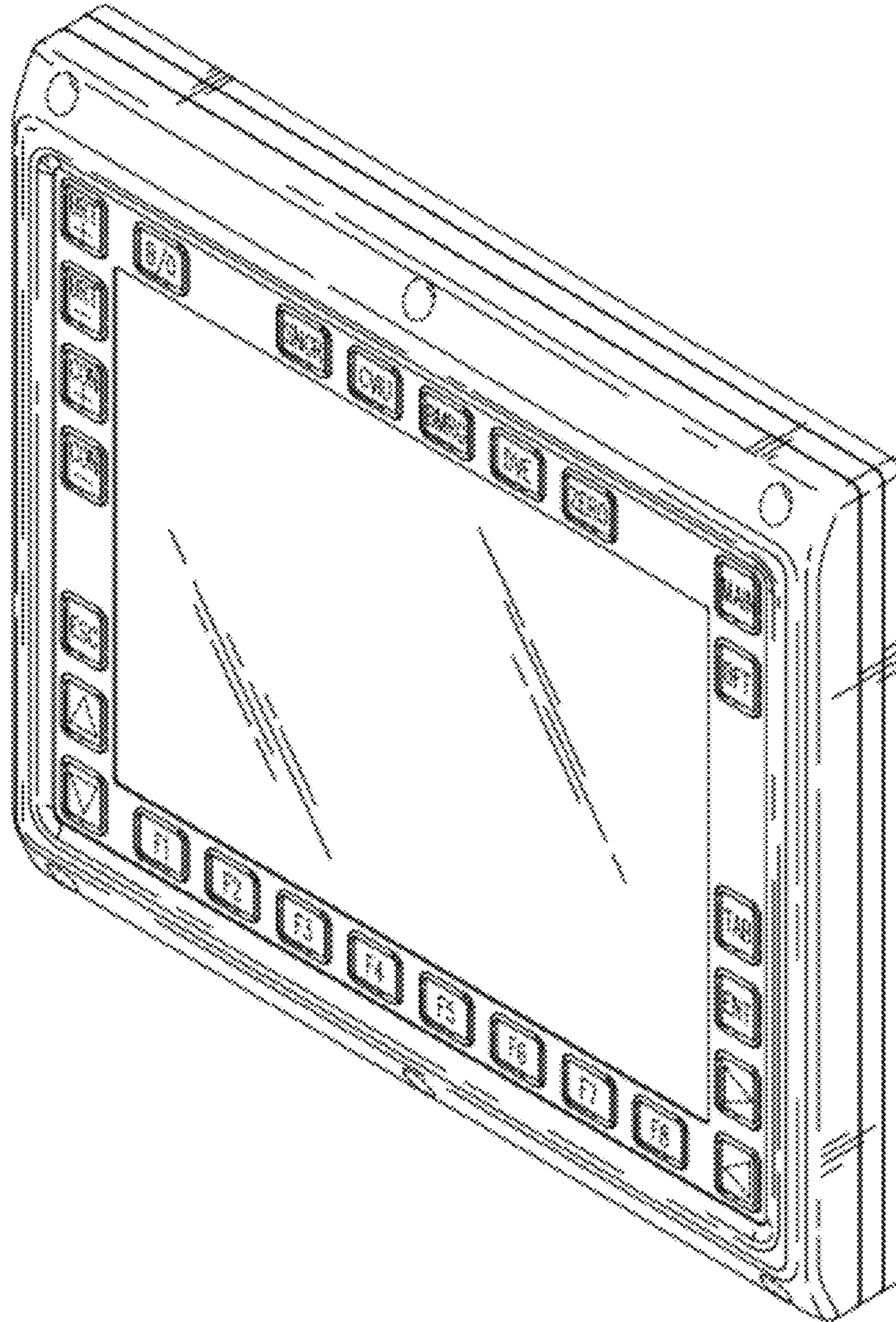


Fig. 1

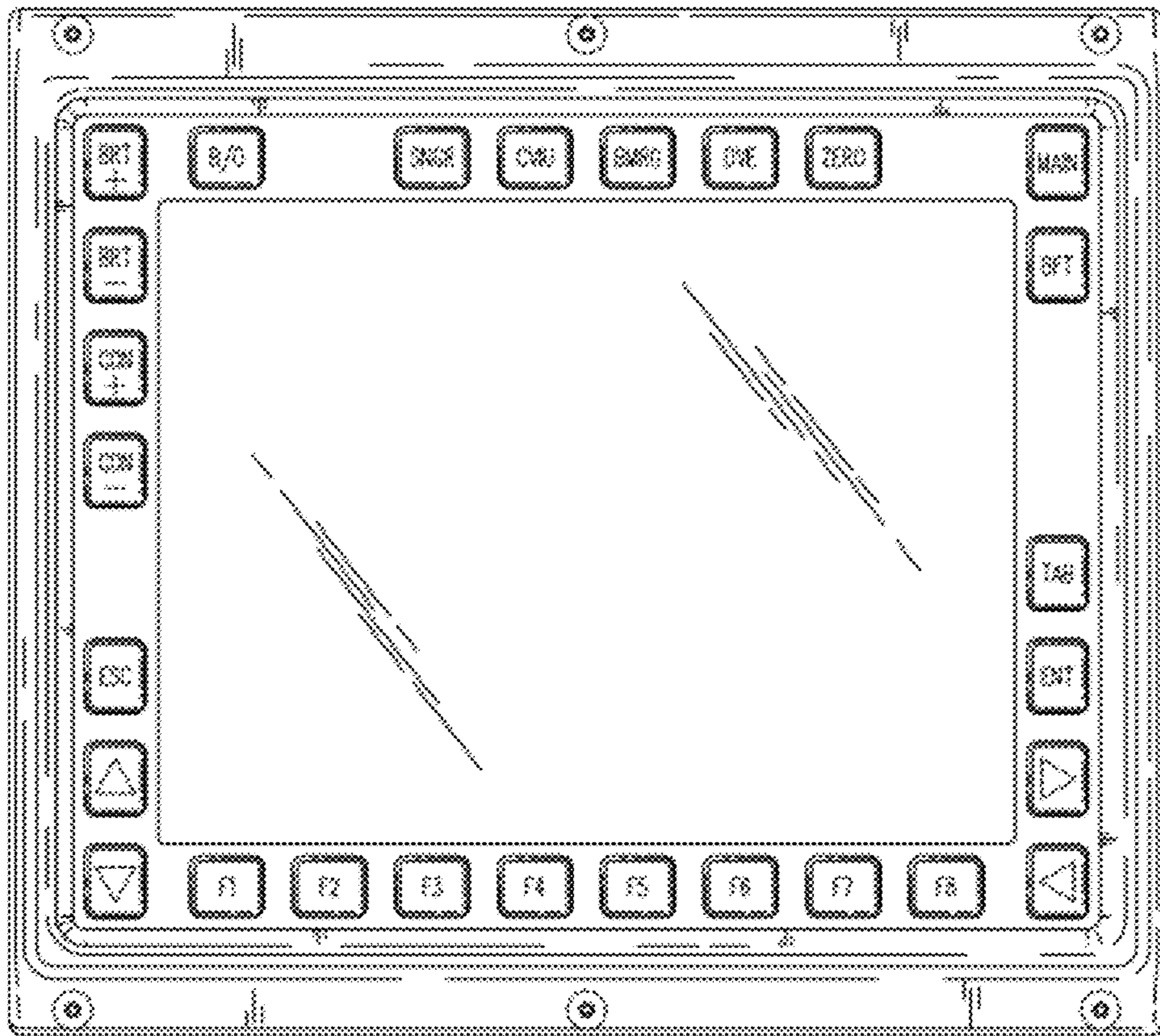


Fig. 2

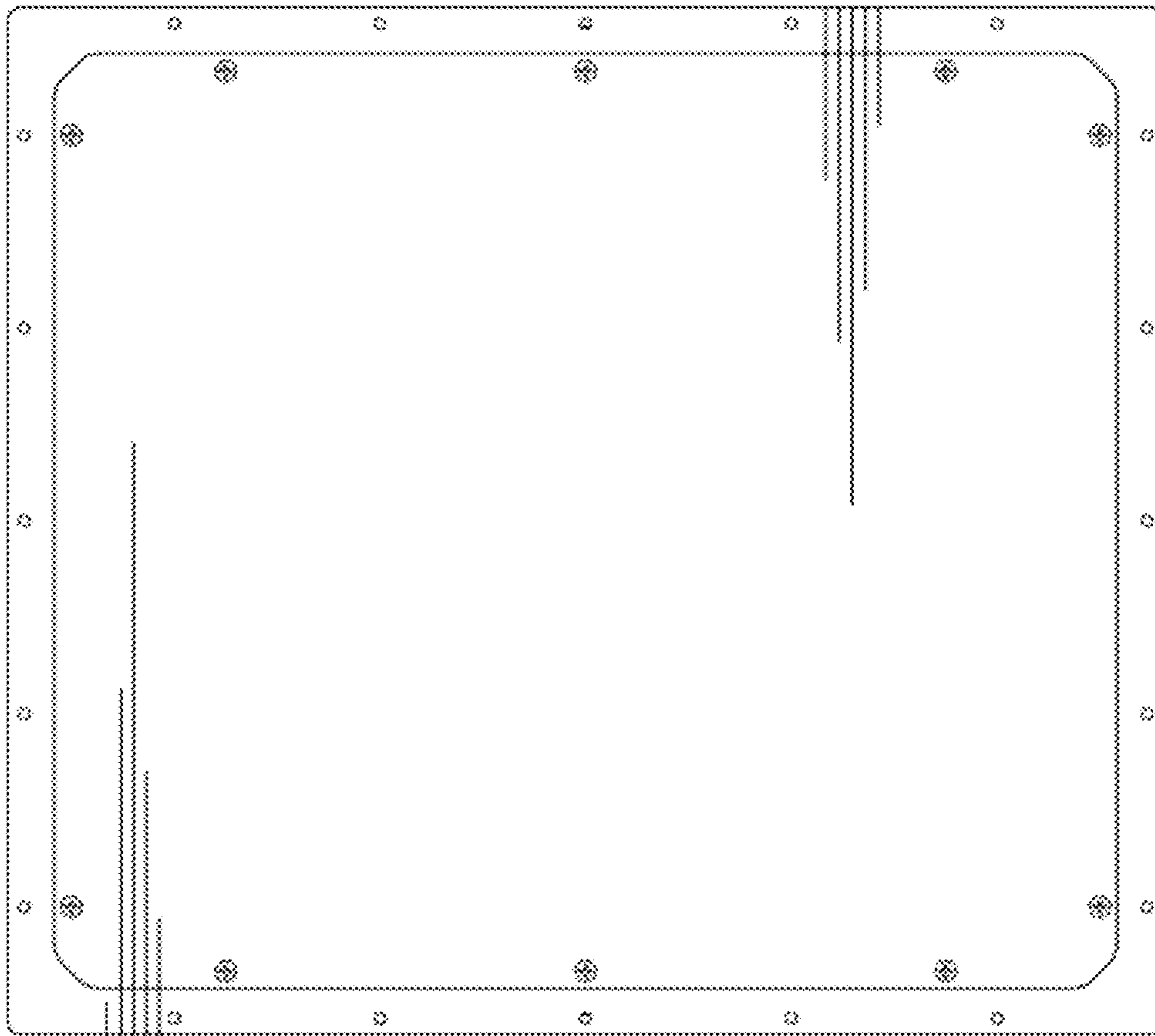


Fig. 3

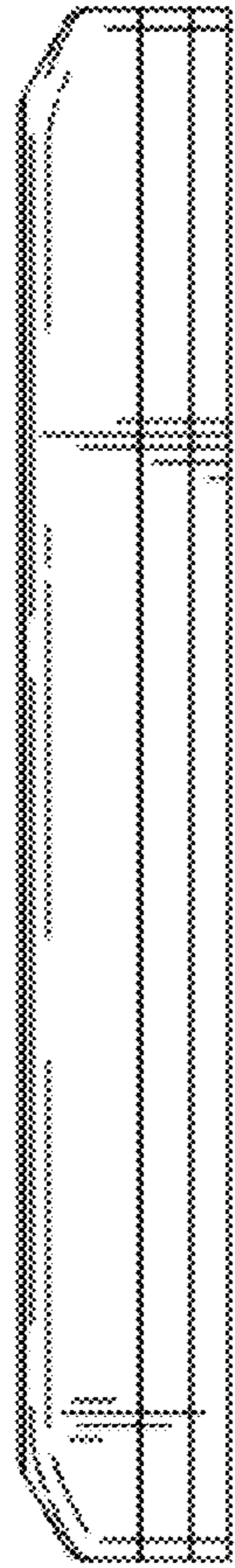


Fig. 4

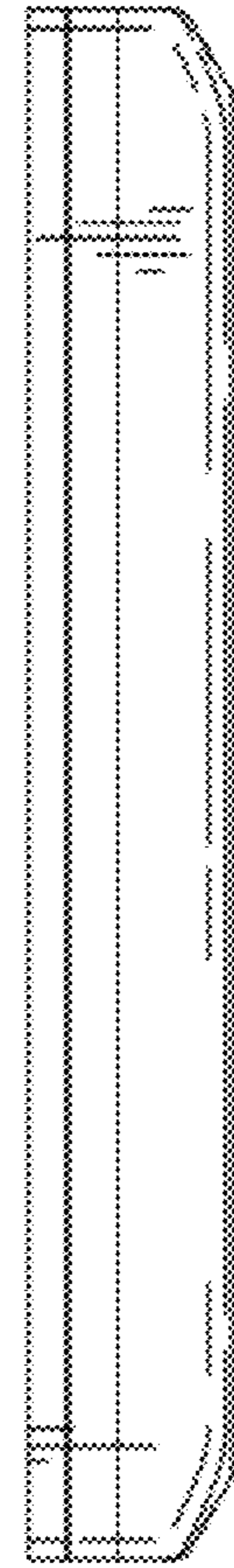


Fig. 5

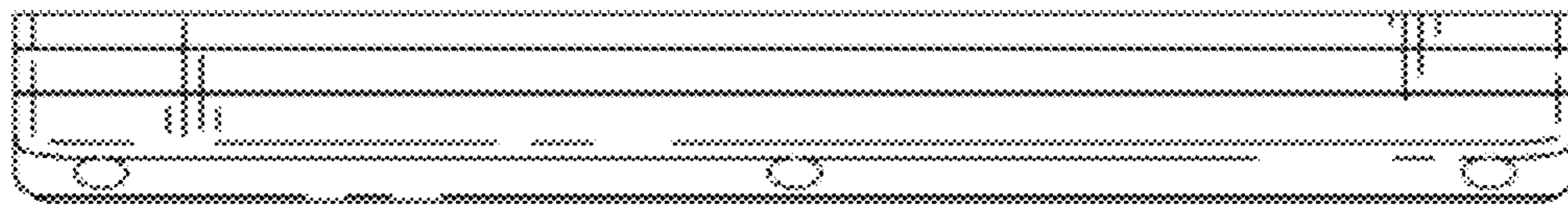


Fig. 6

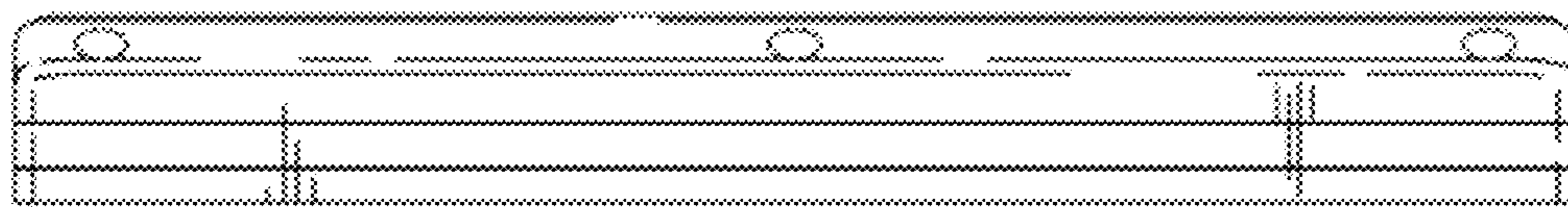


Fig. 7