



US00D666614S

(12) **United States Design Patent**
Ding

(10) **Patent No.:** **US D666,614 S**

(45) **Date of Patent:** **** Sep. 4, 2012**

(54) **MEDIA DEVICE HOLDER**

(75) Inventor: **Jimmy Ding**, Ningbo (CN)

(73) Assignee: **EBSCO Industries, Inc.**, Birmingham, AL (US)

(**) Term: **14 Years**

(21) Appl. No.: **29/390,940**

(22) Filed: **Apr. 29, 2011**

(51) **LOC (9) Cl.** **14-03**

(52) **U.S. Cl.** **D14/253**

(58) **Field of Classification Search** D14/140,
D14/142, 147-149, 217, 229, 240, 251-253,
D14/432, 434, 447, 452, 454, 496, 144, 451,
D14/457; D8/363, 373; D12/415, 418, 422;
248/130, 206.2-206.4, 220.21, 279.1; 379/426,
379/446, 454, 455; D13/107-108; D16/242;
D21/333; 361/679, 679.41, 679.43; 320/115;
455/572; 439/534

See application file for complete search history.

(56) **References Cited**

U.S. PATENT DOCUMENTS

D167,523 S *	8/1952	Mayo	D14/252
D251,426 S *	3/1979	Molyneux	D14/229
D279,185 S *	6/1985	Felix et al.	D14/251
D309,986 S *	8/1990	Sakai	D6/308
D317,760 S *	6/1991	Esslinger	D14/451
D321,349 S *	11/1991	Colida	D14/138 AB
D323,504 S *	1/1992	Langton	D14/142
D345,356 S *	3/1994	Ando et al.	D14/138 AB

(Continued)

FOREIGN PATENT DOCUMENTS

CN 301368069 S 3/2010

OTHER PUBLICATIONS

Cell phone holder for desk with usb hub and card reader, <URL:http://www.alibaba.com/product-gs/476248668/cell_phone_holder_for_desk_with.html>, retrieved from internet Nov. 15, 2011.*

(Continued)

Primary Examiner — Carla Wright

(74) *Attorney, Agent, or Firm* — Smith Gambrell & Russell LLP

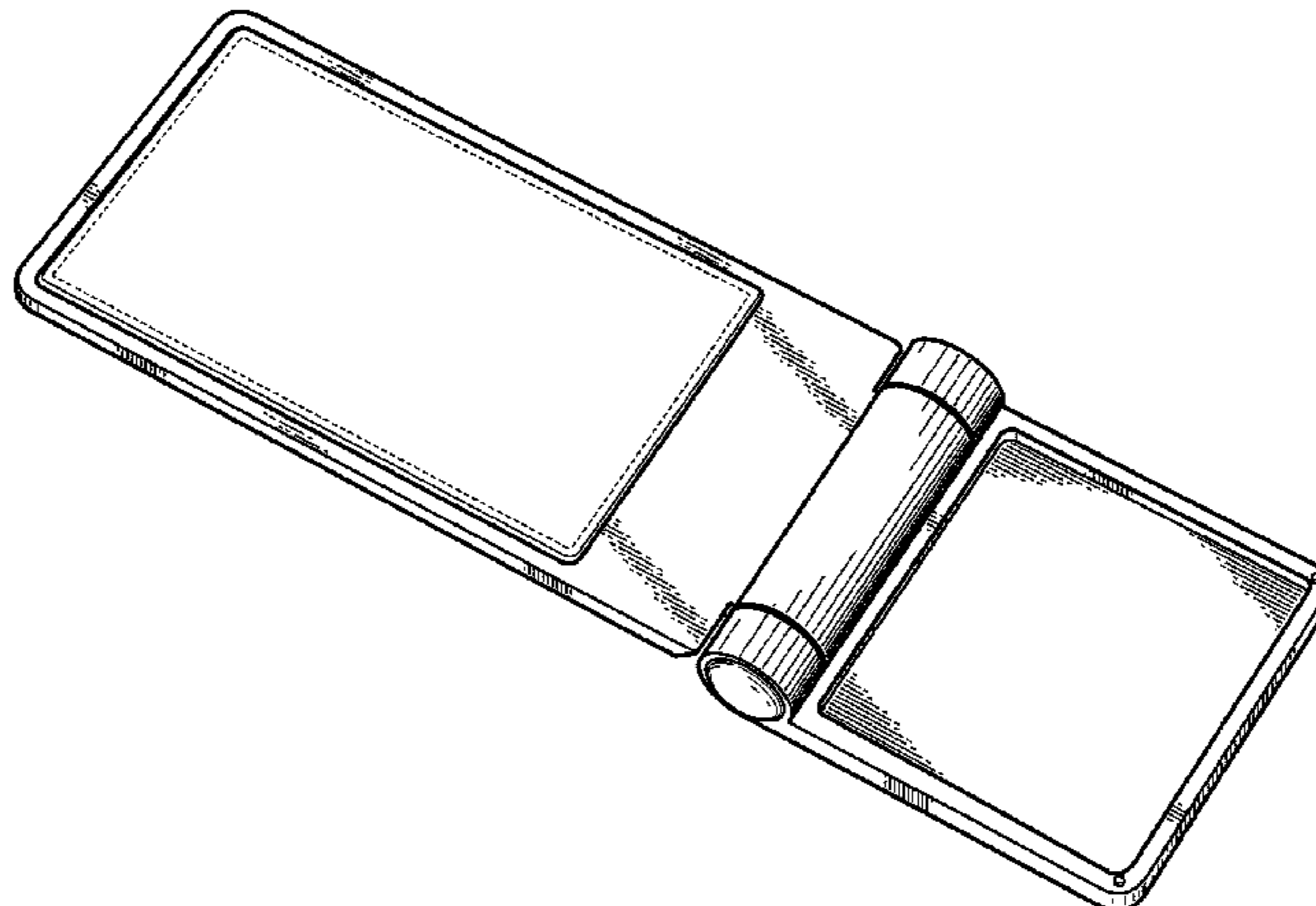
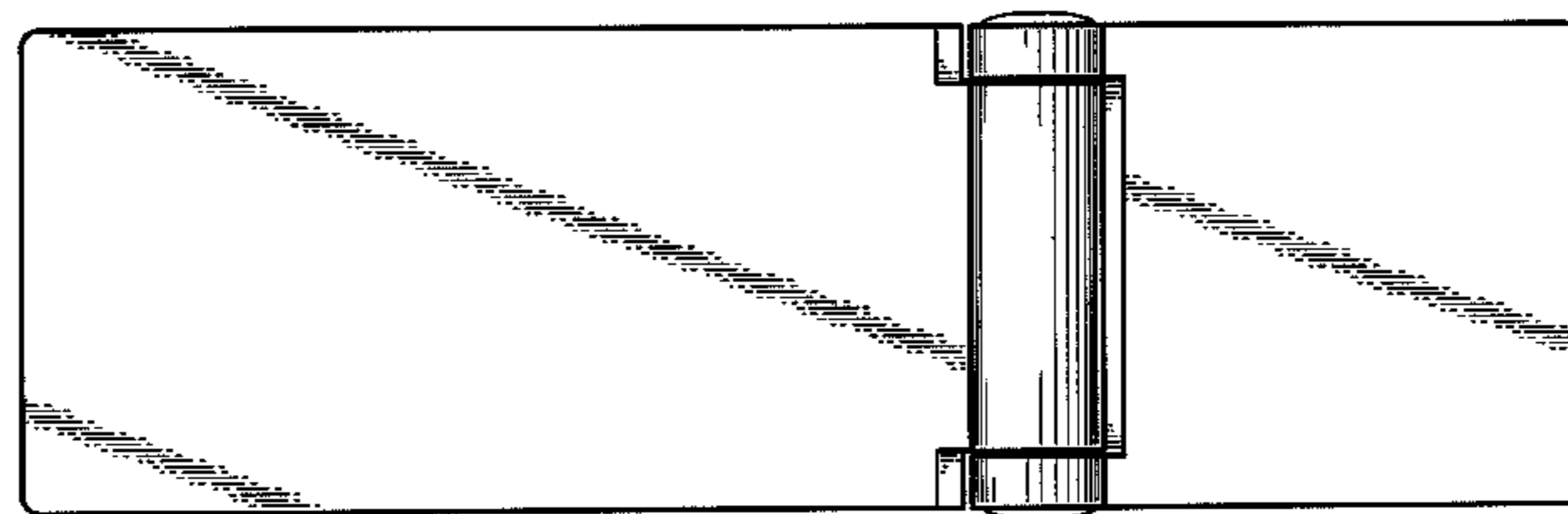
(57) **CLAIM**

The ornamental design for a media device holder, as shown and described.

DESCRIPTION

FIG. 1 is a front view of the media device holder; FIG. 2 is a rear view of the media device holder; FIG. 3 is a first side view of the media device holder; FIG. 4 is a second side view of the media device holder opposite the first side; FIG. 5 is a top plan view of the media device holder; FIG. 6 is a bottom plan view of the media device holder; FIG. 7 is a perspective view of the media device holder in a folded and collapsed position; FIG. 8 is a perspective view of the media device holder in a folded and extended position; and, FIG. 9 is a perspective view of the media device holder. The evenly segmented broken lines, shown in FIGS. 5, 7, 8, and 9, depict a pad surface that forms no part of the claimed design. The unevenly segmented broken lines, shown in FIG. 8, depict a cell phone that forms no part of the claimed design.

1 Claim, 4 Drawing Sheets



U.S. PATENT DOCUMENTS

D349,289	S *	8/1994	Vananderoye	D14/217
D361,998	S *	9/1995	Murakami et al.	D14/149
5,619,397	A *	4/1997	Honda et al.	361/679.43
D386,094	S *	11/1997	Ventrella	D10/30
D429,242	S *	8/2000	Sun	D14/253
6,193,546	B1 *	2/2001	Sadler	439/534
6,438,229	B1 *	8/2002	Overy et al.	379/446
6,483,698	B1 *	11/2002	Loh	361/679.41
D471,548	S *	3/2003	Zheng	D14/253
D513,008	S *	12/2005	Takizawa et al.	D14/447
D520,013	S	5/2006	Yang	
D529,823	S *	10/2006	Tien	D10/2
D556,212	S *	11/2007	Hussaini et al.	D14/496
D557,259	S	12/2007	Hirsch	
D592,188	S	5/2009	Huang	
D606,545	S *	12/2009	Salmon	D14/434
D607,817	S *	1/2010	Tan	D13/108
7,708,240	B2 *	5/2010	Homer et al.	248/130
D623,642	S *	9/2010	Wang	D14/253
D626,964	S	11/2010	Richardson et al.	
D631,855	S	2/2011	Blair et al.	
D632,122	S	2/2011	Foster	
D637,583	S *	5/2011	Beal et al.	D14/217
D637,952	S *	5/2011	Tan	D13/108
D639,815	S *	6/2011	Lye	D14/447
D639,816	S *	6/2011	Bau	D14/447
D640,247	S *	6/2011	Baumann et al.	D14/253
D646,268	S *	10/2011	DeLorenzo et al.	D14/253
8,030,892	B2 *	10/2011	Fang et al.	320/115
D650,783	S *	12/2011	Ausfeld et al.	D14/434
2008/0108395	A1 *	5/2008	Lee et al.	455/572
2009/0051319	A1 *	2/2009	Fang et al.	320/115

OTHER PUBLICATIONS

USB Hub Mobile Phone Holder posted by gadgetbear on May 19, 2009 in Electronics, Gadgets, <URL:<http://web.archive.org/web/20090524011455/http://newconsumerstore.com/2009/05/usb-hub-mobile-phone-holder/>>, retrieved from internet on Mar. 31, 2012.*

Singapore Hardware Zone.com—4 port USB2.0 hub w/mobile device holder—<http://www.hardwarezone.com.sg/marketplace/view/48651>; in use at least as early as Mar. 21, 2011.

Cell Phone Shop: Cell Phone Holder with Card Reader found at <http://www.cellphoneshop.net/phonereader.html>; in use at least as early as Mar. 21, 2011.

Clingo by Allsop Universal Podium hands-free device holder found at <http://www.clingo.com/home-and-office/universal-podium>; in use at least as early as Mar. 21, 2011.

Clingo by Allsop Universal Podium Device Holder found at <http://www.blueunplugged.com/Clingo-Universal-Mobile-Stand-Black.aspx>; in use at least as early as Mar. 21, 2011.

Smart Stand—Crowley Jones found at <http://crowleyjones.com/smart-stand.html>, <http://store.crowleyjones.com/ProductDetails.asp?ProductCode=Smart+Stand>, and <http://store.crowleyjones.com/PhotoGallery.asp?ProductCode=Smart+Stand&PhotoNumber=5>; in use at least as early as Mar. 21, 2011.

Anti Slip Gadget Holder with USB Hub found at: <http://www.geekalerts.com/gadget-holder-usb-hub>, in use at least as early as Nov. 2011.

* cited by examiner

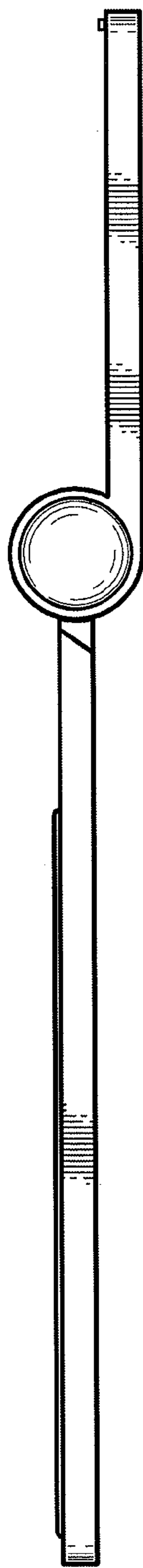


FIG. 1

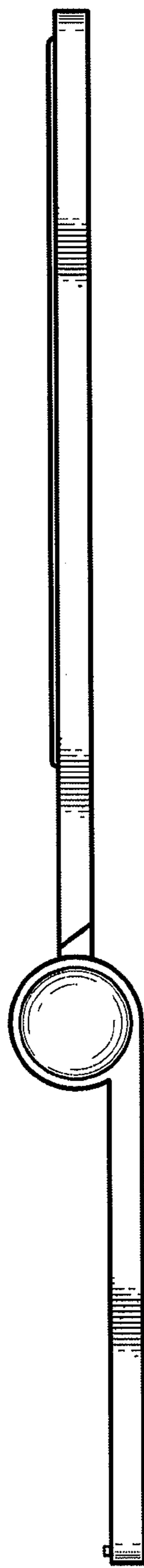


FIG. 2

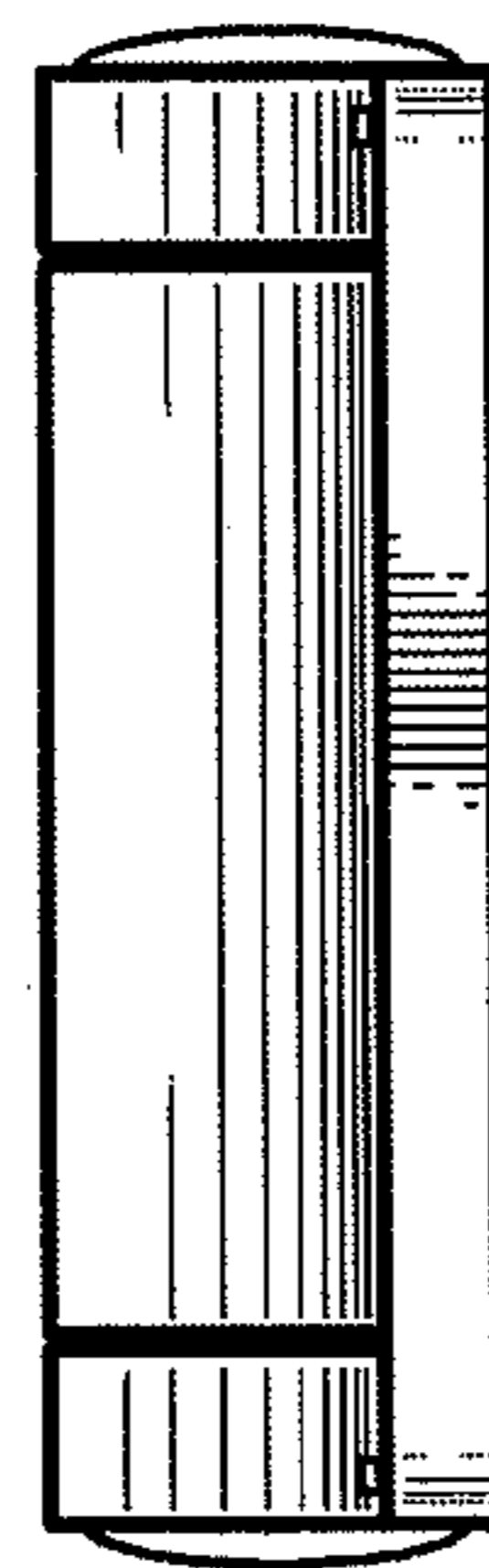


FIG. 4



FIG. 3

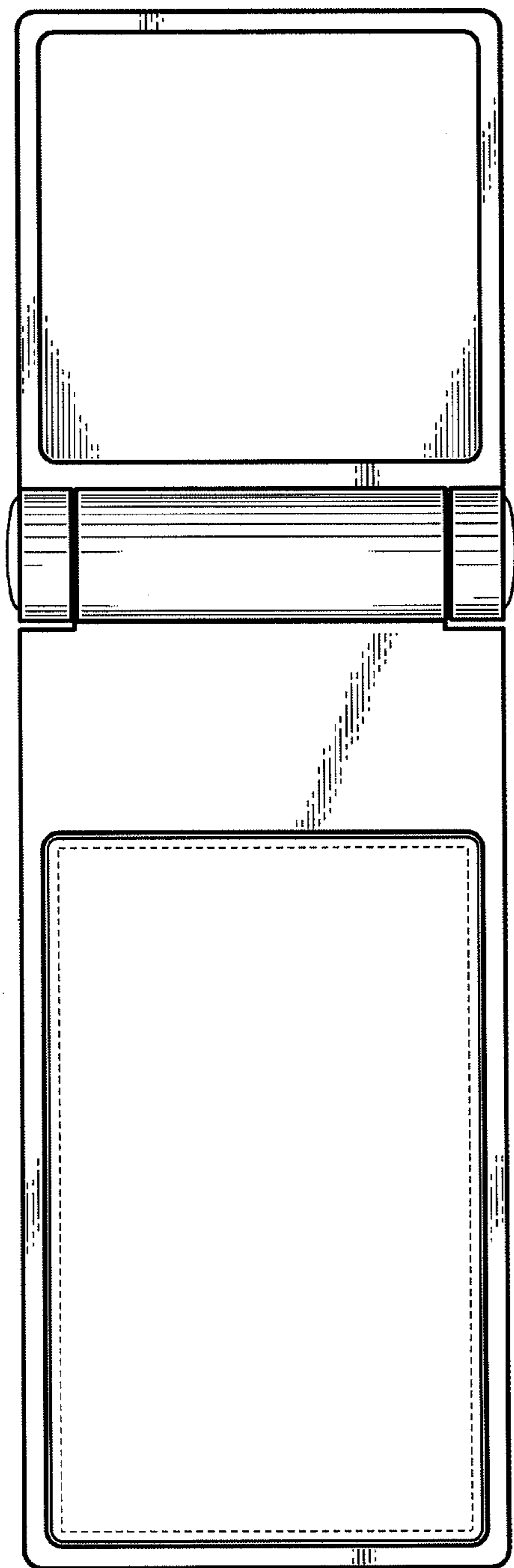


FIG. 5

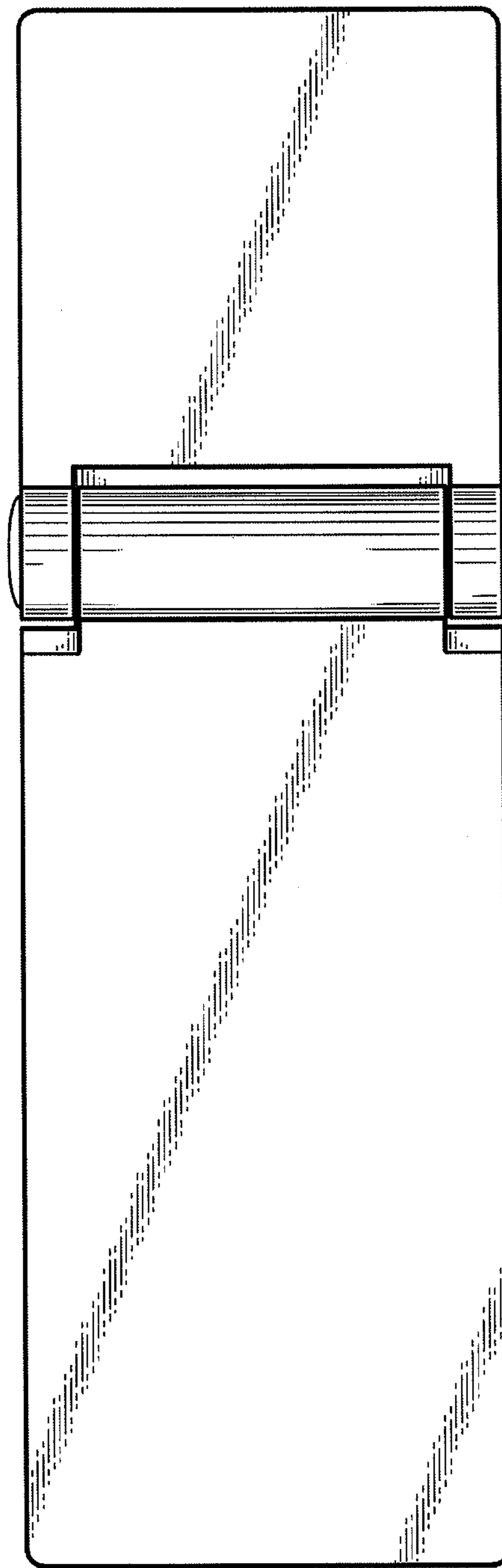


FIG. 6

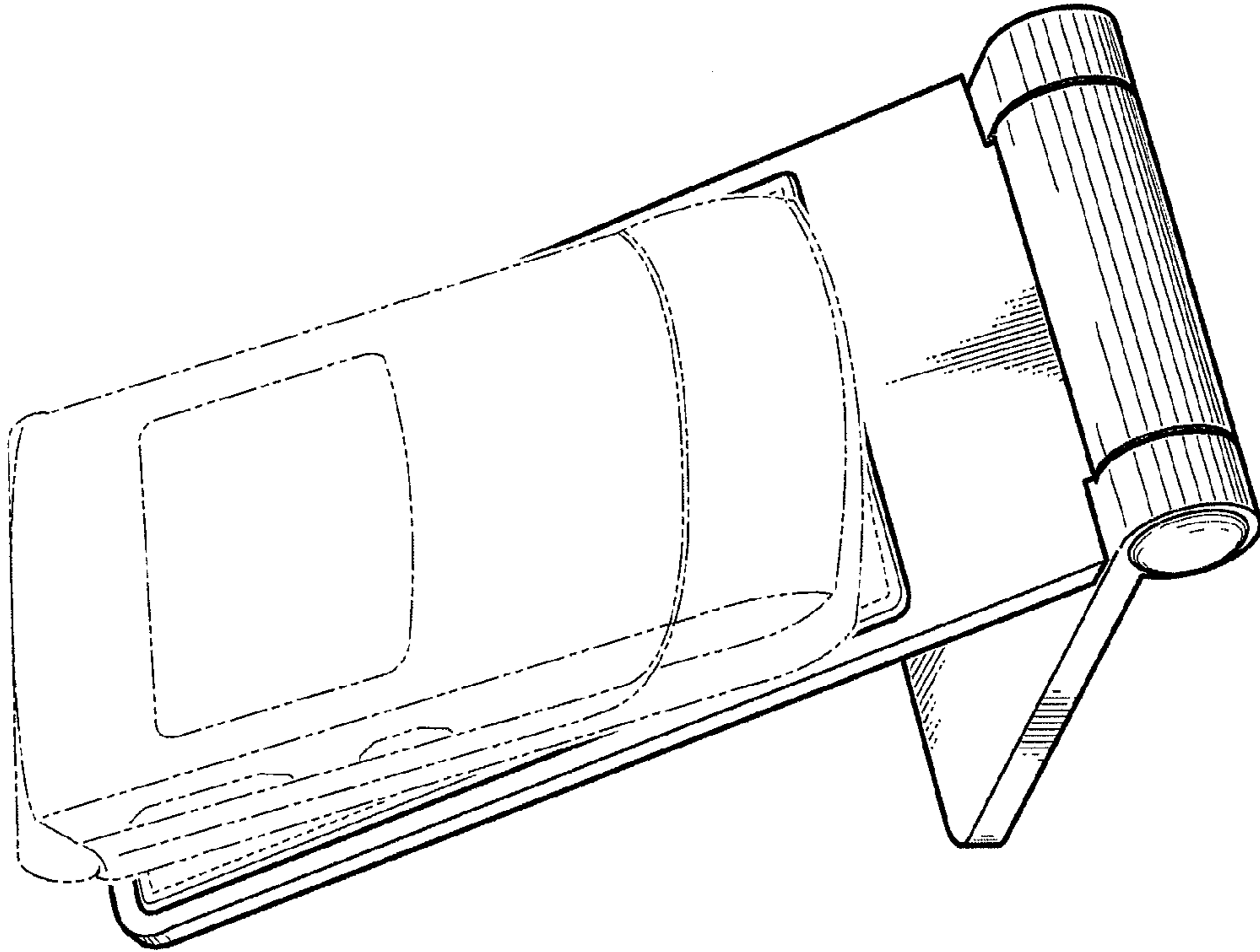


FIG. 8

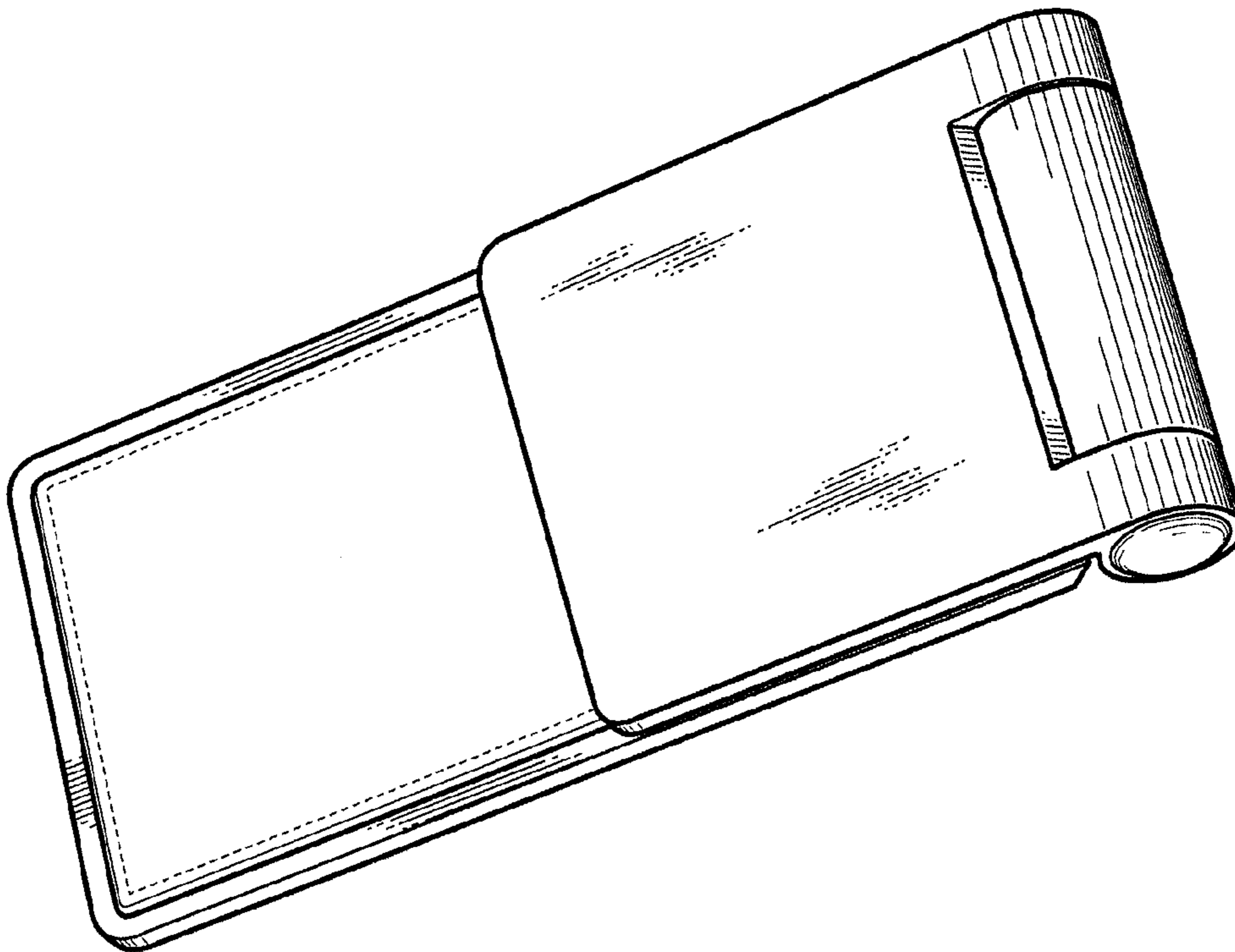


FIG. 7

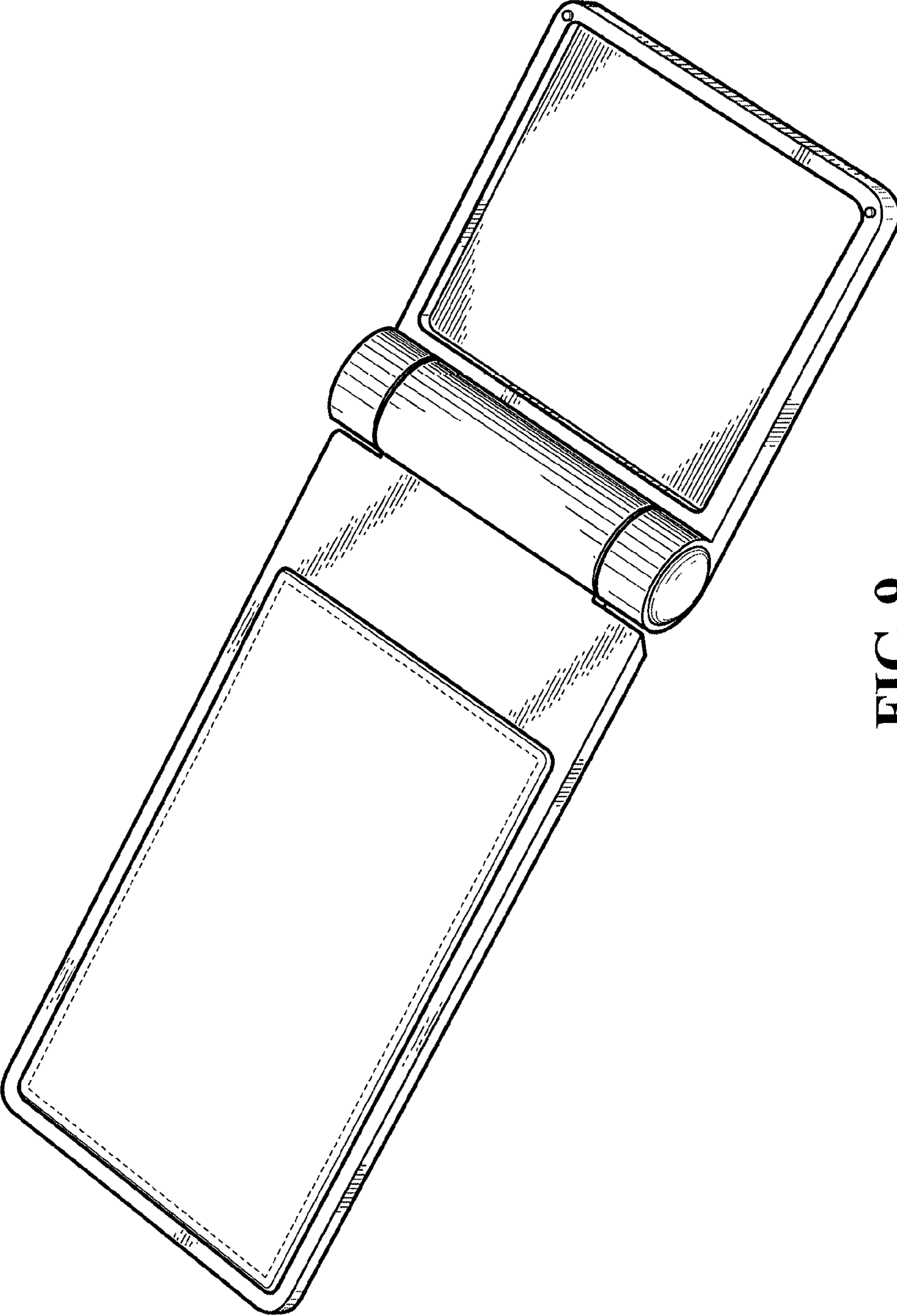


FIG. 9