



US00D666581S

(12) **United States Design Patent**
Perez

(10) **Patent No.:** **US D666,581 S**
(45) **Date of Patent:** **** Sep. 4, 2012**

- (54) **HEADSET DEVICE**
- (75) Inventor: **Jose M. Perez**, Helsinki (FI)
- (73) Assignee: **Nokia Corporation**, Espoo (FI)
- (**) Term: **14 Years**
- (21) Appl. No.: **29/404,760**
- (22) Filed: **Oct. 25, 2011**
- (51) **LOC (9) Cl.** **14-01**
- (52) **U.S. Cl.** **D14/223**
- (58) **Field of Classification Search** D14/205,
D14/206, 223; 181/129, 130, 135; 379/430,
379/431; 381/380, 381; 455/90.3, 575.1
See application file for complete search history.

(56) **References Cited**

U.S. PATENT DOCUMENTS

1,279,396	A *	9/1918	Michaelson et al.	128/868
1,969,559	A *	8/1934	Kelly	381/151
2,148,477	A *	2/1939	Koch	381/151
2,248,837	A *	7/1941	Walters	381/380
2,285,585	A *	6/1942	Heinrich	379/167.01
2,430,229	A *	11/1947	Kelsey	381/338
2,493,734	A *	1/1950	Pearson	381/418
2,619,960	A *	12/1952	Reynolds	128/868
3,440,365	A *	4/1969	Hazell et al.	379/430
4,133,984	A *	1/1979	Akiyama	381/328
4,457,396	A *	7/1984	James	181/136
4,471,490	A *	9/1984	Bellafiore	381/324
4,585,089	A *	4/1986	Topholm	181/135
D287,765	S *	1/1987	Topholm	D24/174
5,054,079	A *	10/1991	Frielingsdorf et al.	381/151
6,386,314	B1 *	5/2002	Sheehan et al.	181/129
D479,834	S	9/2003	Salazar et al.	
D481,376	S	10/2003	Eguchi	
D481,377	S	10/2003	Eguchi	
D505,411	S *	5/2005	Sakai	D14/192
D529,901	S *	10/2006	Ohta	D14/223
D531,169	S *	10/2006	Tokioka et al.	D14/223
D553,613	S	10/2007	Sade et al.	
D556,326	S *	11/2007	Espersen	D24/174
D567,217	S *	4/2008	Kamo et al.	D14/205
D569,841	S *	5/2008	Chung et al.	D14/205

D574,367	S	8/2008	Jaakkola et al.	
D576,609	S	9/2008	Bradford et al.	
D579,924	S	11/2008	Sade et al.	
D579,925	S	11/2008	Jaakkola et al.	
D583,805	S	12/2008	Jaakkola et al.	
D585,431	S	1/2009	Bradford et al.	
D590,371	S	4/2009	Leinvuo	
D590,813	S	4/2009	Bradford et al.	
D598,010	S *	8/2009	Matsuda et al.	D14/223
D599,785	S *	9/2009	Matsuda et al.	D14/223
D600,675	S *	9/2009	Lee et al.	D14/205
D603,380	S *	11/2009	Hutchieson	D14/223
D606,971	S *	12/2009	Christopher et al.	D14/205

(Continued)

OTHER PUBLICATIONS

Nokia Model BH 608, 1 full page of color photograph, disclosed on or about Mar. 2010.

(Continued)

Primary Examiner — Paula Greene

(74) *Attorney, Agent, or Firm* — Banner & Witcoff, Ltd.

(57) **CLAIM**

The ornamental design for a headset device, as shown and described.

DESCRIPTION

FIG. 1 is a perspective view of a headset device showing my new design;

FIG. 2 is a front view thereof;

FIG. 3 is a rear view thereof;

FIG. 4 is a left side view thereof;

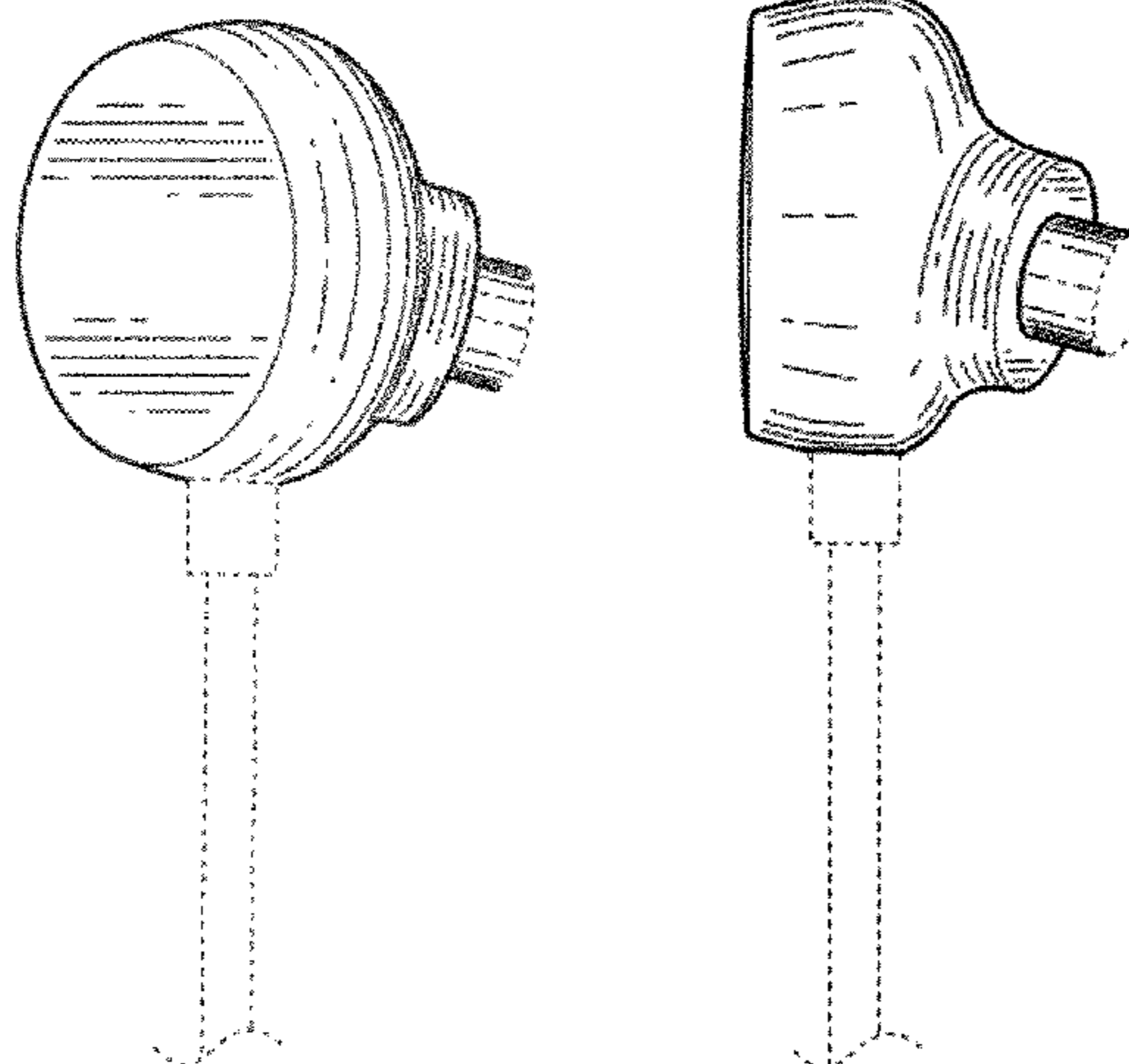
FIG. 5 is a right side view thereof;

FIG. 6 is a top view thereof; and,

FIG. 7 is a bottom view thereof.

The broken lines of the headset device and the unshaded regions therein are for environmental purposes only and form no part of the claimed design. The broken lines immediately adjacent to the shaded area in the figures represent unclaimed boundaries of the design.

1 Claim, 2 Drawing Sheets



US D666,581 S

Page 2

U.S. PATENT DOCUMENTS

D617,780 S 6/2010 Jaakkola et al.
D626,117 S * 10/2010 Lowry D14/223
D627,764 S * 11/2010 Tsai et al. D14/223
D632,678 S * 2/2011 Brown et al. D14/223
D637,182 S * 5/2011 Lee et al. D14/223
D637,998 S * 5/2011 Brunner et al. D14/205
D637,999 S * 5/2011 Brunner et al. D14/205
D641,010 S * 7/2011 Kwon D14/223
D642,163 S * 7/2011 Lee et al. D14/223
D643,414 S * 8/2011 Lee et al. D14/223
D643,833 S * 8/2011 Lee et al. D14/223
D652,817 S * 1/2012 Lee et al. D14/205
D652,822 S * 1/2012 Lee et al. D14/223
8,103,040 B2 * 1/2012 Pelland et al. 381/381

D654,056 S * 2/2012 Hoggarth et al. D14/223
D658,157 S * 4/2012 McManigal D14/205
D660,289 S * 5/2012 Lee et al. D14/223
D660,290 S * 5/2012 Weedon D14/223
D660,292 S * 5/2012 Rautiainen D14/223
D660,826 S * 5/2012 Brunner et al. D14/223

OTHER PUBLICATIONS

Nokia Model HS-44, 1 full page of color photograph, disclosed on or about Sep. 2010.

Nokia Model HS3W, 1 full page of color photograph, disclosed on or about Mar. 2009.

* cited by examiner

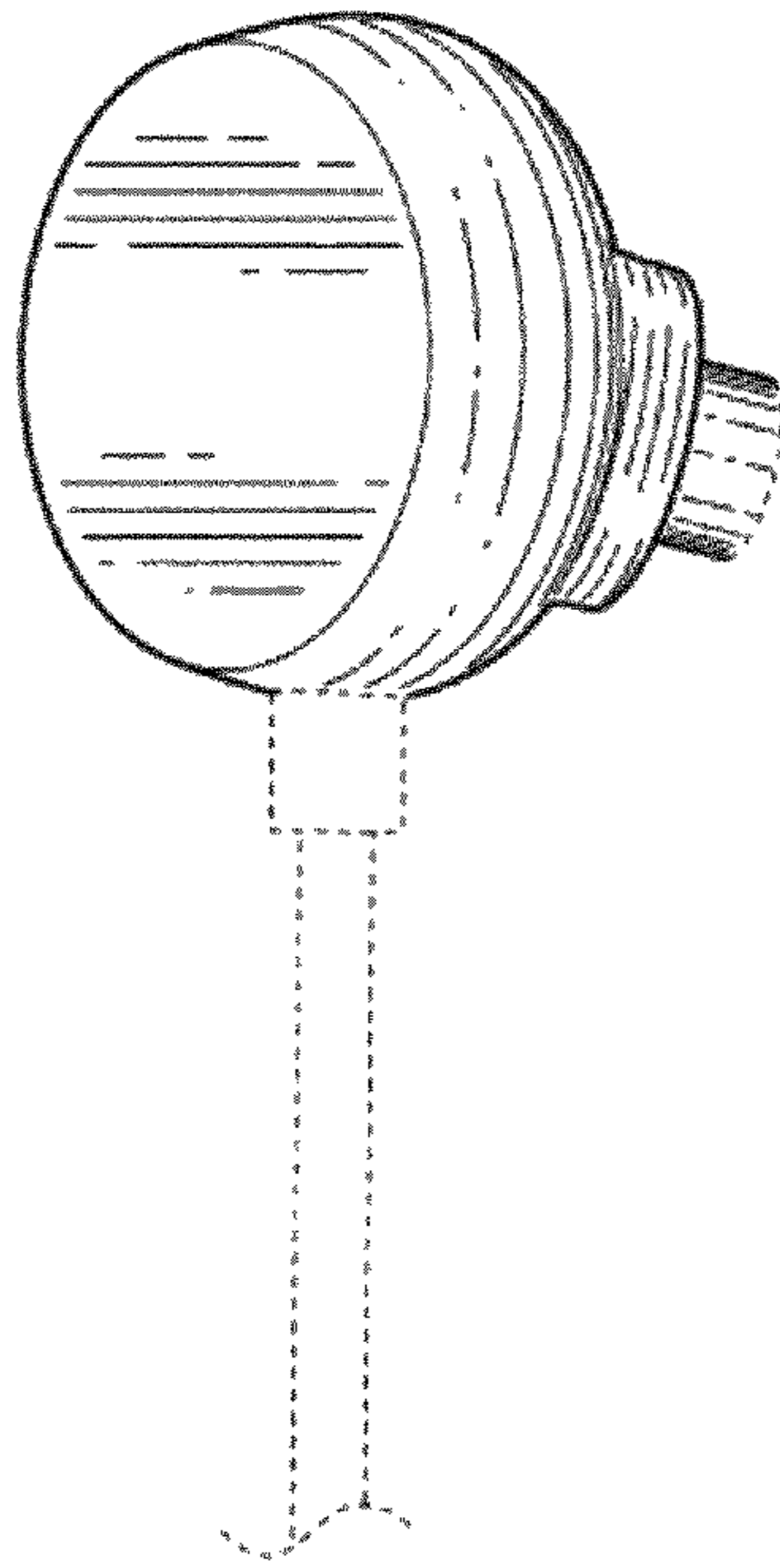


FIG. 1

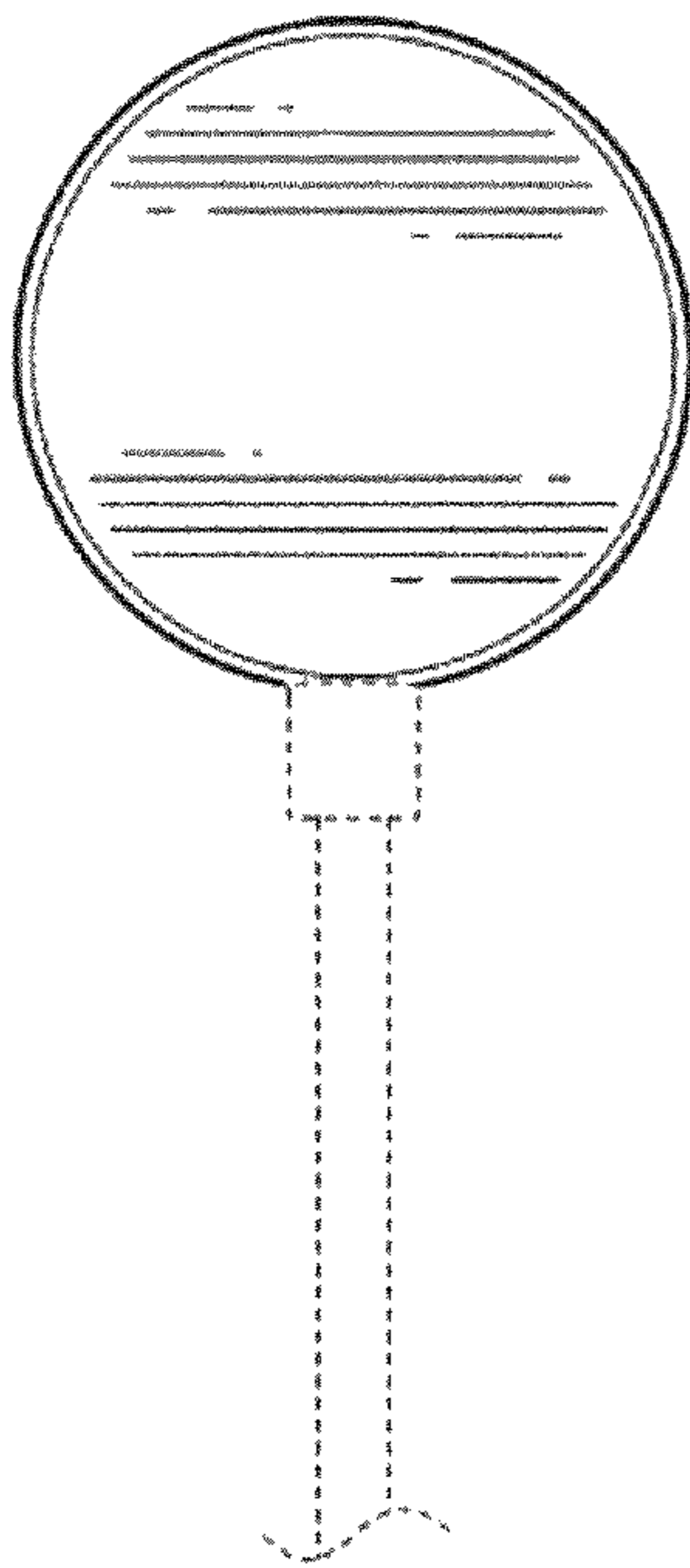


FIG. 2

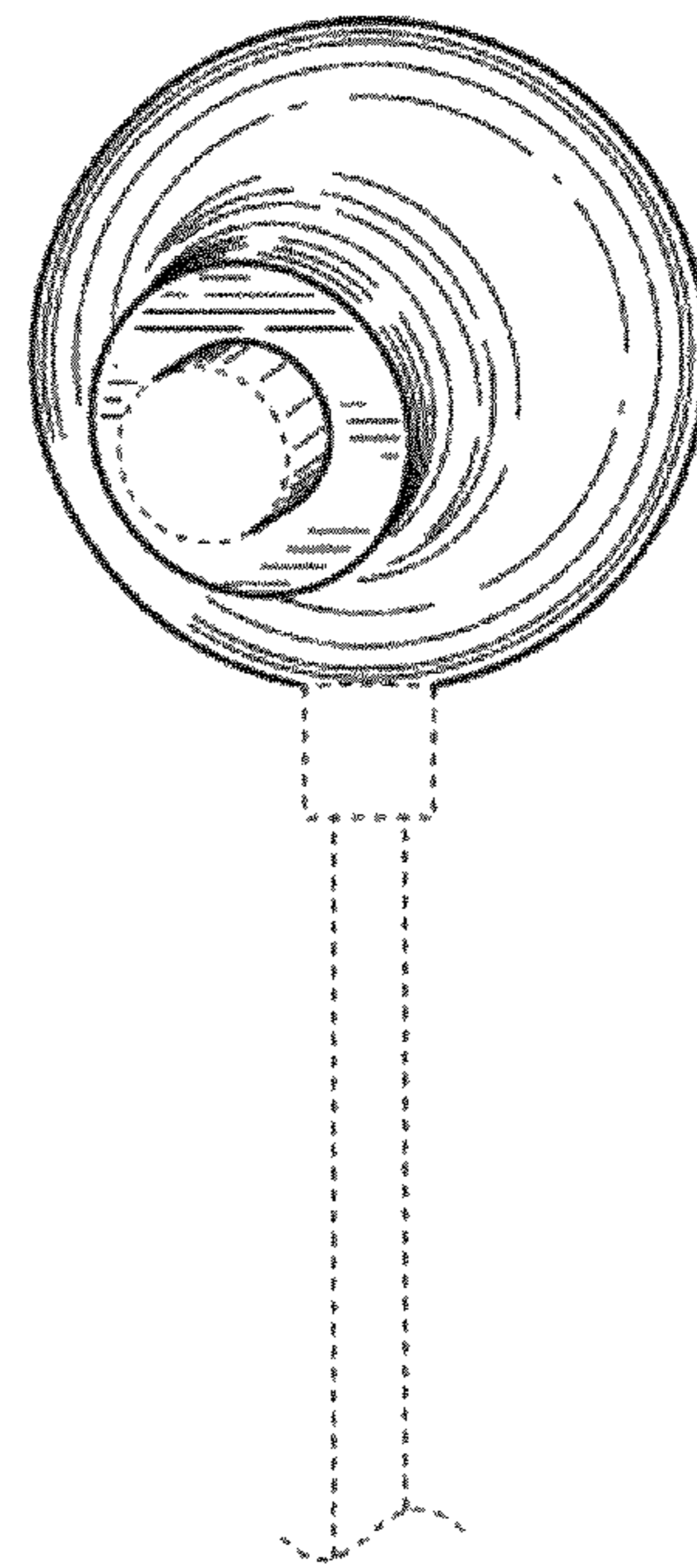


FIG. 3

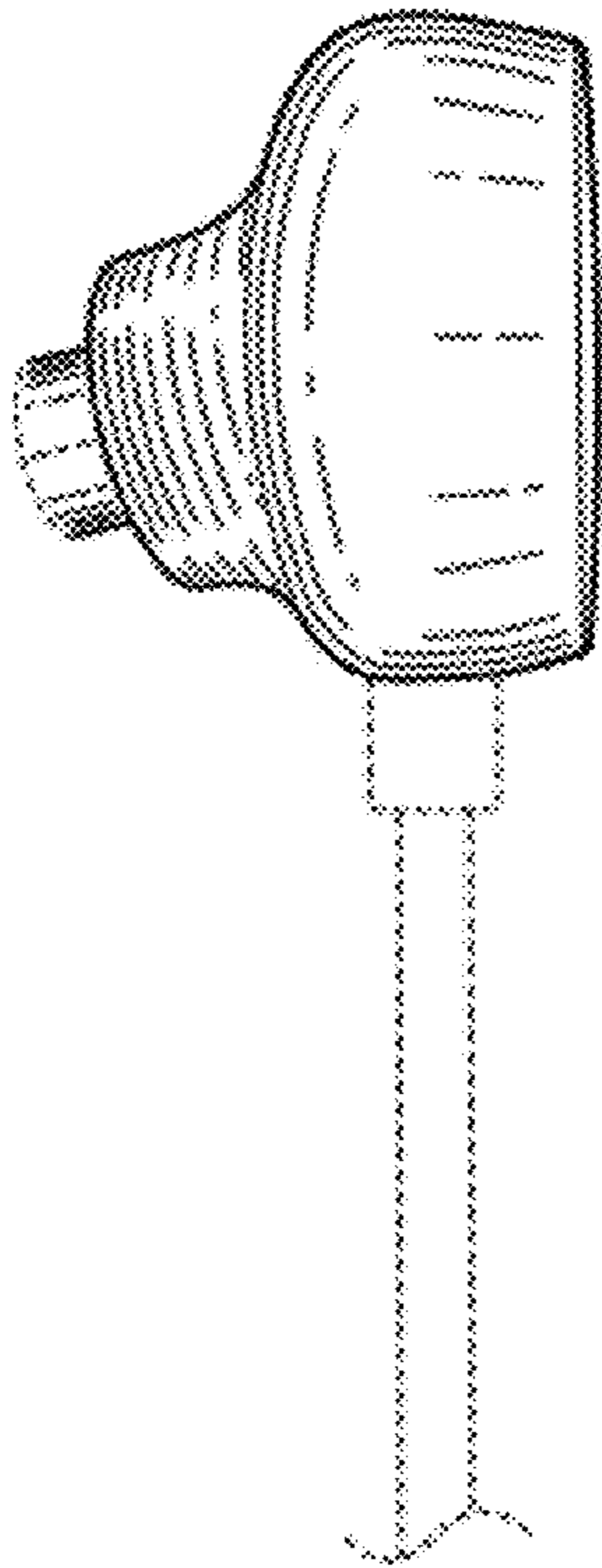


FIG. 4

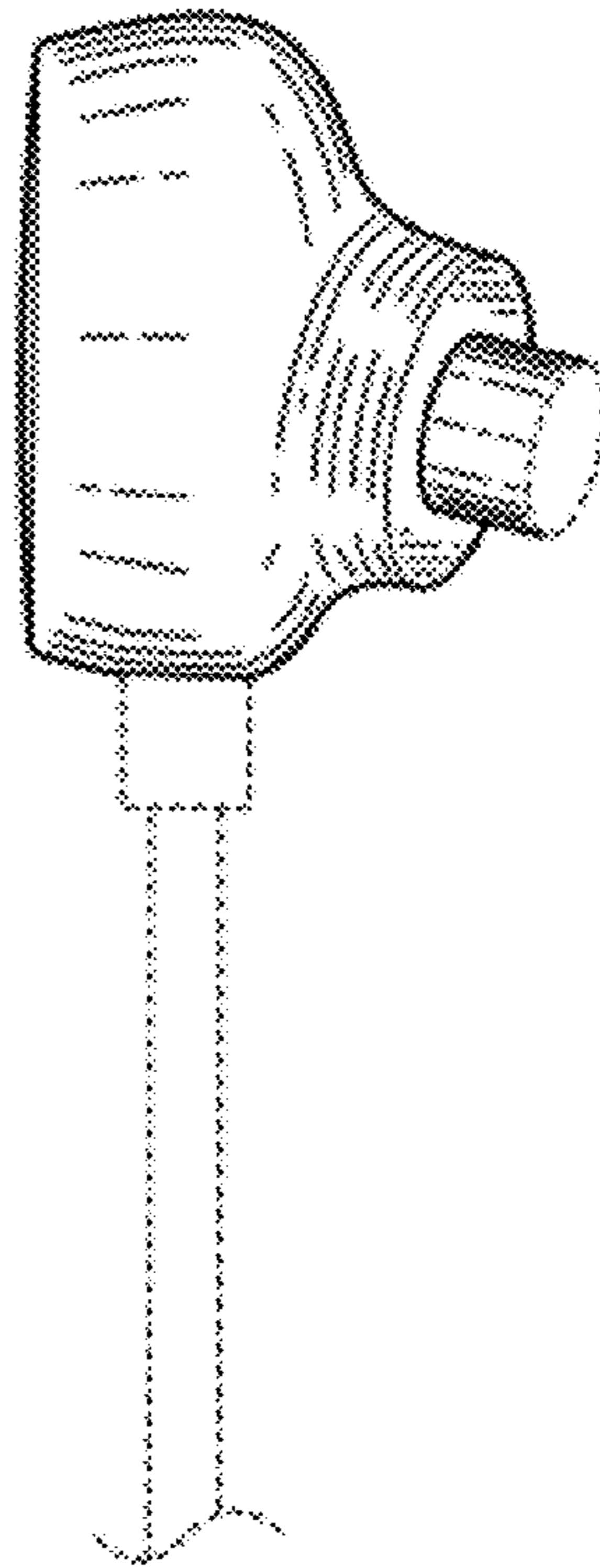


FIG. 5

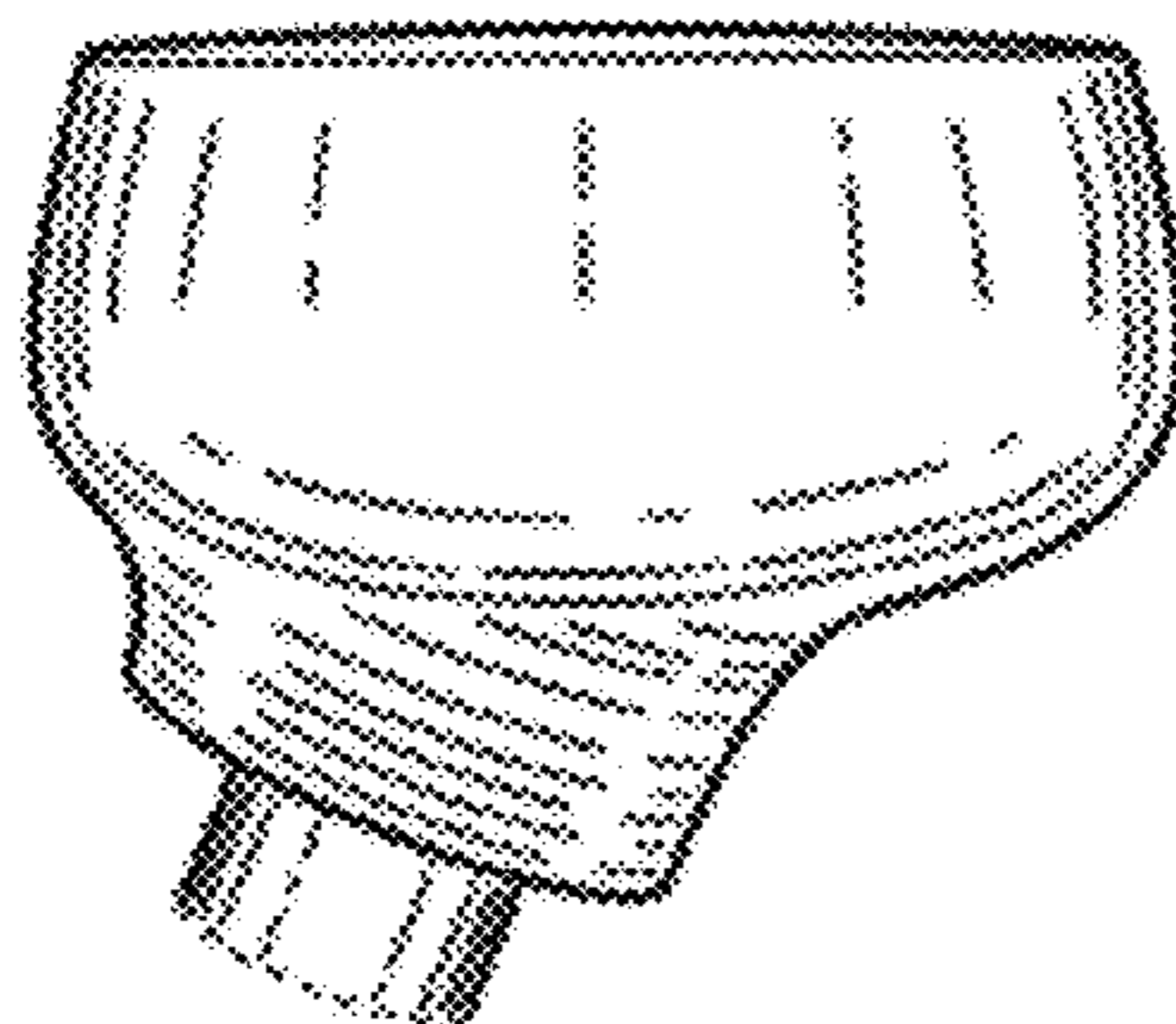


FIG. 6

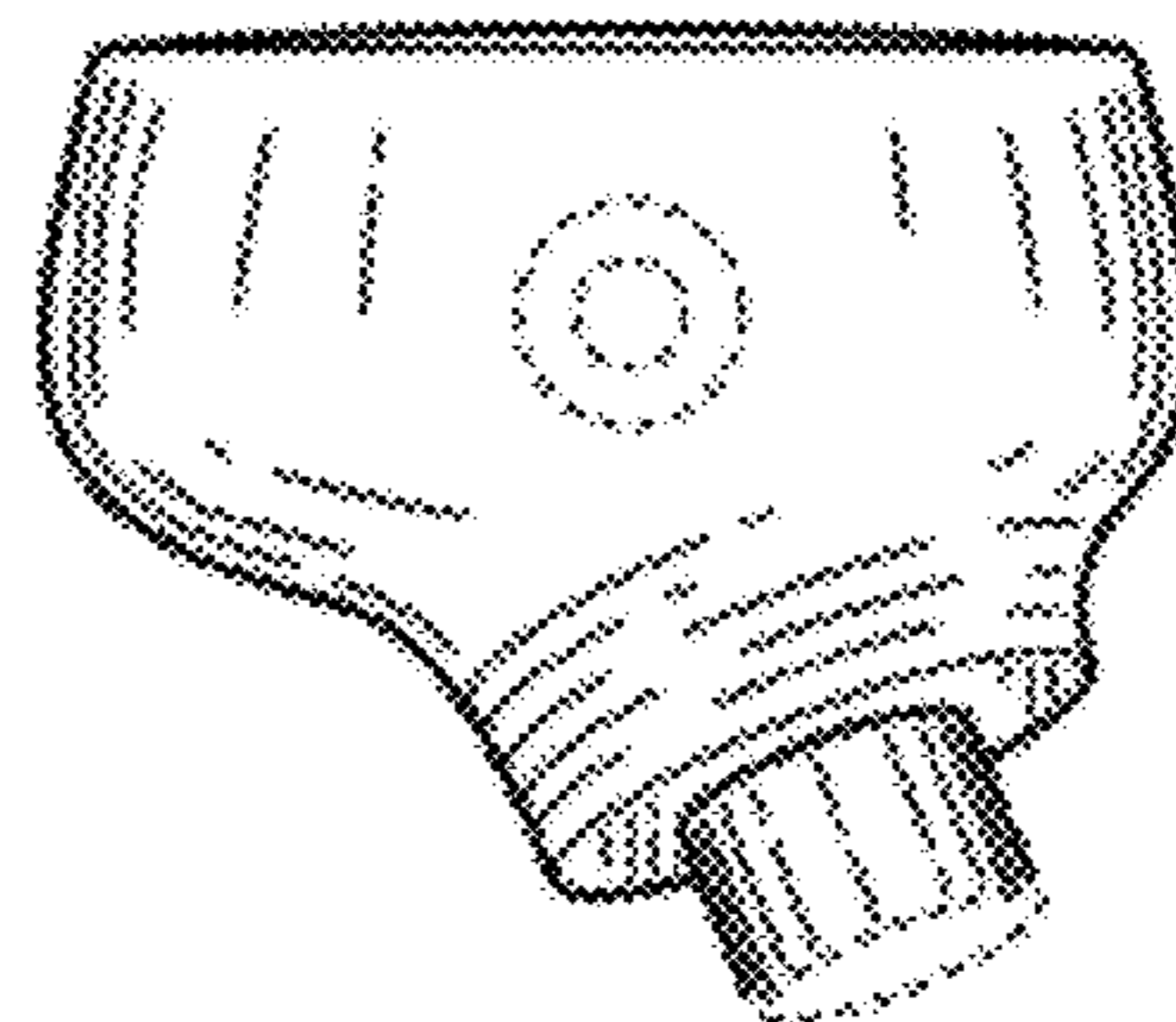


FIG. 7