



US00D666575S

(12) **United States Design Patent**
Marsh

(10) **Patent No.:** **US D666,575 S**

(45) **Date of Patent:** **** Sep. 4, 2012**

(54) **COMMUNICATIONS EQUIPMENT**

(75) Inventor: **Geoff Marsh**, Farnham (GB)

(73) Assignee: **British Telecommunications Public Limited Company**, London (GB)

(**) Term: **14 Years**

(21) Appl. No.: **29/406,424**

(22) Filed: **Nov. 14, 2011**

(30) **Foreign Application Priority Data**

May 12, 2011 (GB) 4019985

(51) **LOC (9) Cl.** **14-03**

(52) **U.S. Cl.** **D14/159**

(58) **Field of Classification Search** D14/167,
D14/154, 168, 188, 496, 156, 160, 161, 162,
D14/163, 164, 165, 158, 253, 192, 159, 155,
D14/138 AB, 137, 104.1; 455/351, 350,
455/353; D10/104, 106, 65, 78; 340/573.4,
340/573.1

See application file for complete search history.

(56) **References Cited**

U.S. PATENT DOCUMENTS

D310,523 S * 9/1990 Hino et al. D14/137
D430,546 S * 9/2000 Gibson D14/137
D455,165 S * 4/2002 Tsang et al. D16/202
D460,707 S * 7/2002 Gubitosi D10/104.1

D510,926 S * 10/2005 Jerome D14/500
D537,095 S * 2/2007 Alden et al. D16/219
D539,251 S * 3/2007 Heath D14/137
D637,173 S * 5/2011 Elkerbout D14/159
D647,502 S * 10/2011 Holzer D14/171
2005/0035864 A1* 2/2005 Fitzgerald et al. 340/573.1

* cited by examiner

Primary Examiner — Austin Murphy

(74) *Attorney, Agent, or Firm* — Patterson Thuent Christensen Pedersen, P.A.

(57) **CLAIM**

I claim the ornamental design for communications equipment, as shown and described.

DESCRIPTION

FIG. 1 is a front perspective view of communications equipment according to an embodiment of the invention.

FIG. 2 is a back perspective view of the communications equipment depicted in FIG. 1.

FIG. 3 is a front elevation view of the communications equipment depicted in FIG. 1.

FIG. 4 is a top plan view of the communications equipment depicted in FIG. 1.

FIG. 5 is a right side elevation view of the communications equipment depicted in FIG. 1.

FIG. 6 is a left side elevation view of the communications equipment depicted in FIG. 1.

FIG. 7 is a back elevation view of the communications equipment depicted in FIG. 1; and,

FIG. 8 is a bottom plan view of the communications equipment depicted in FIG. 1.

1 Claim, 4 Drawing Sheets

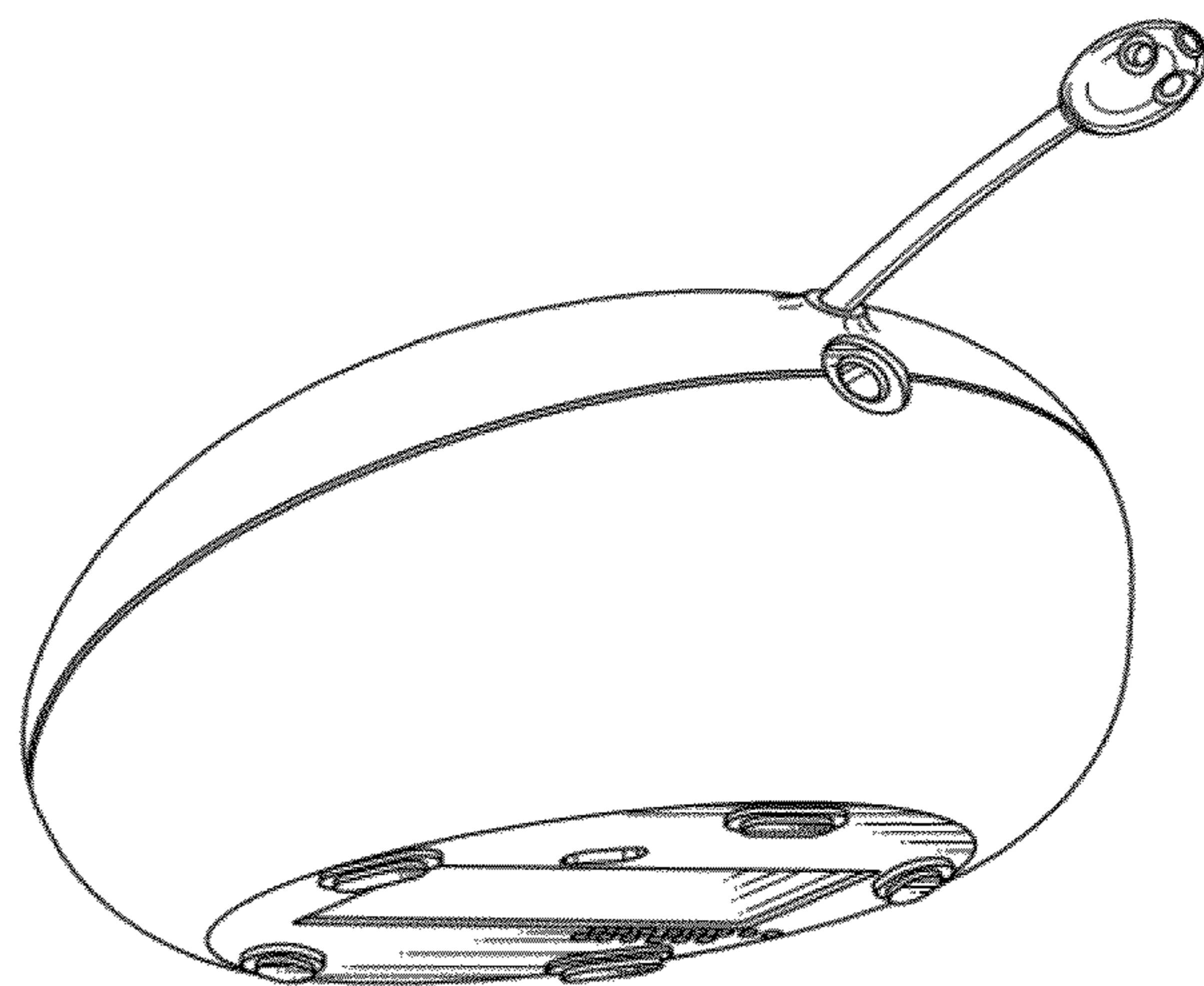
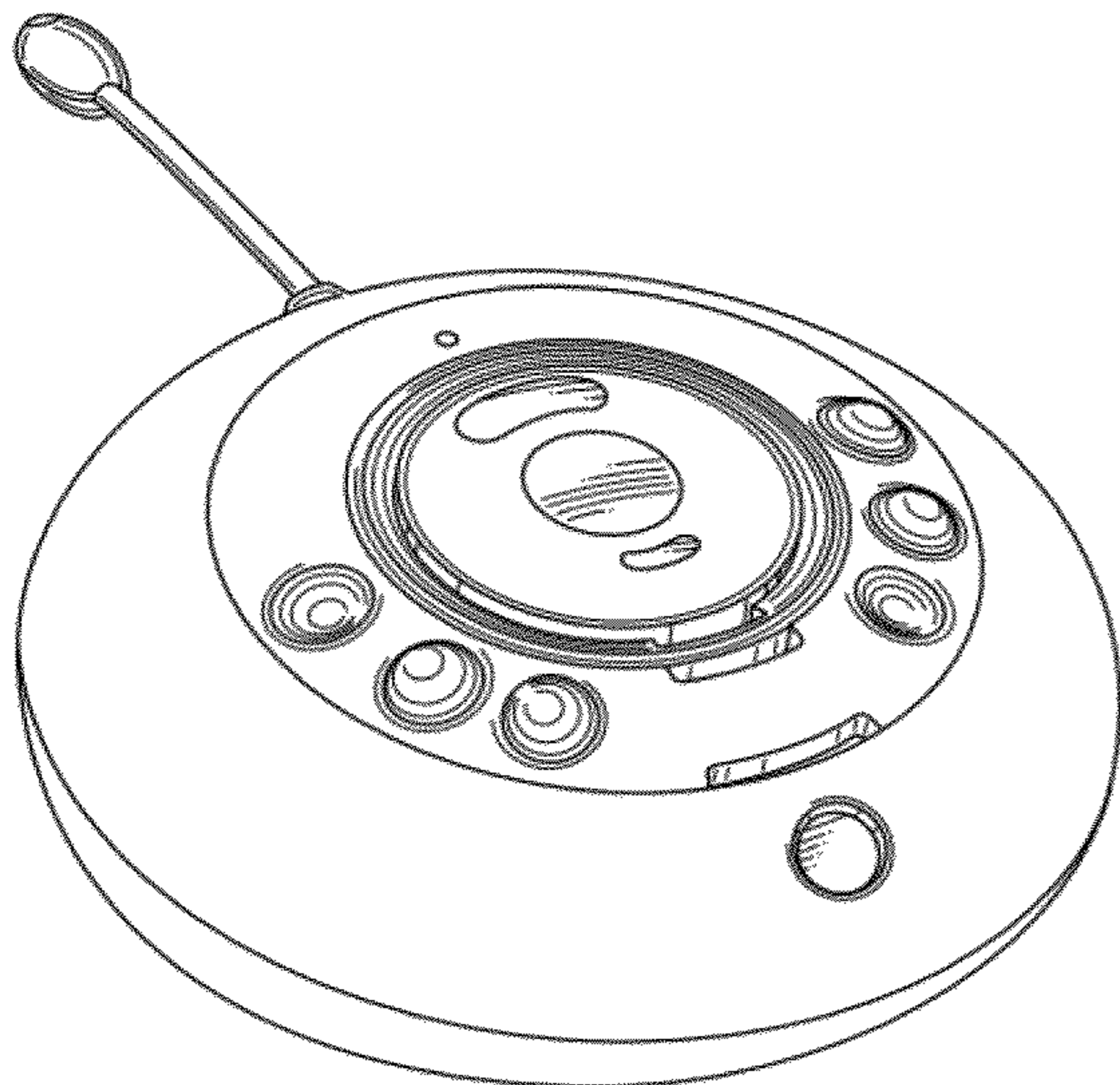


Fig. 1

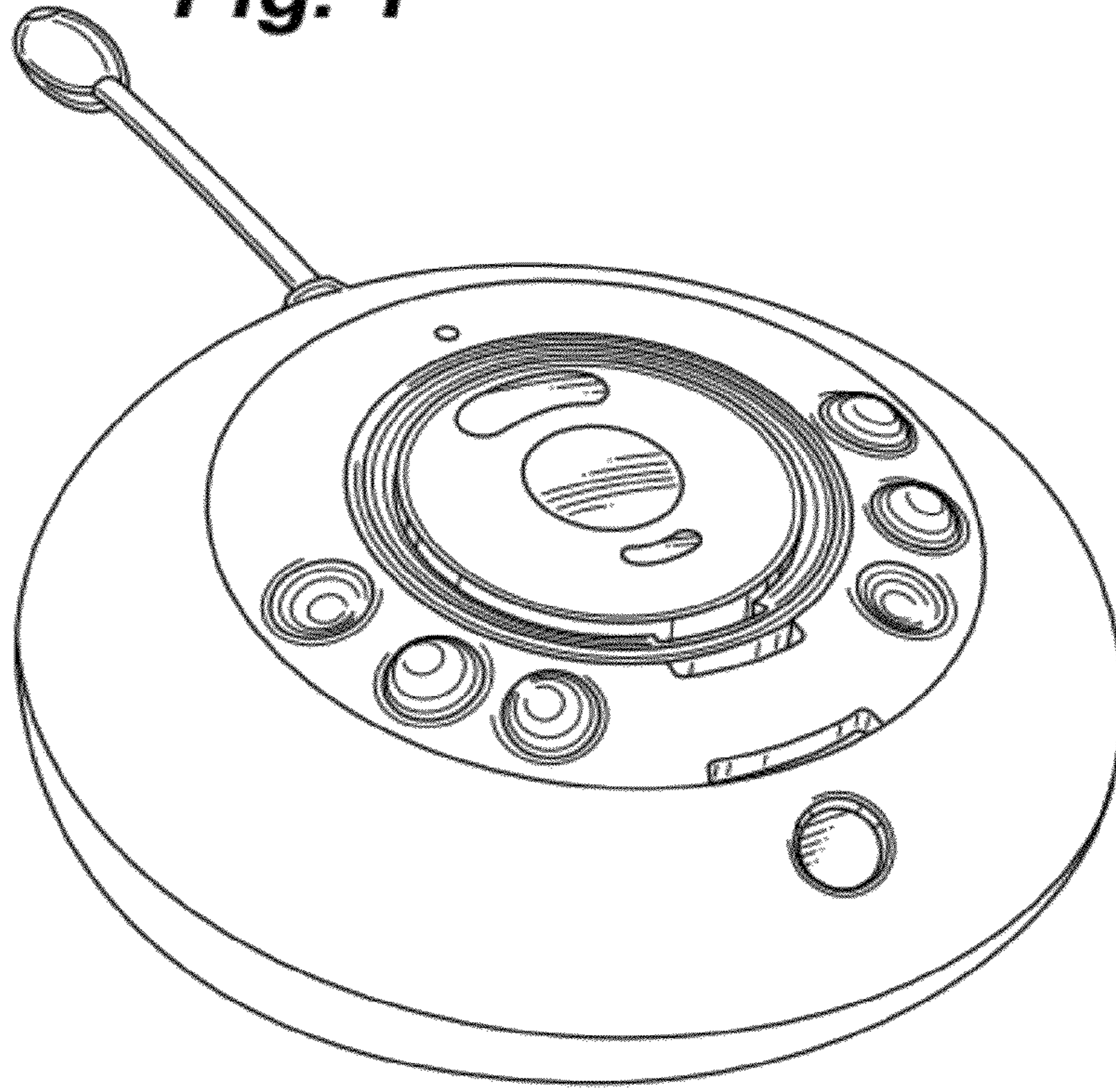


Fig. 2

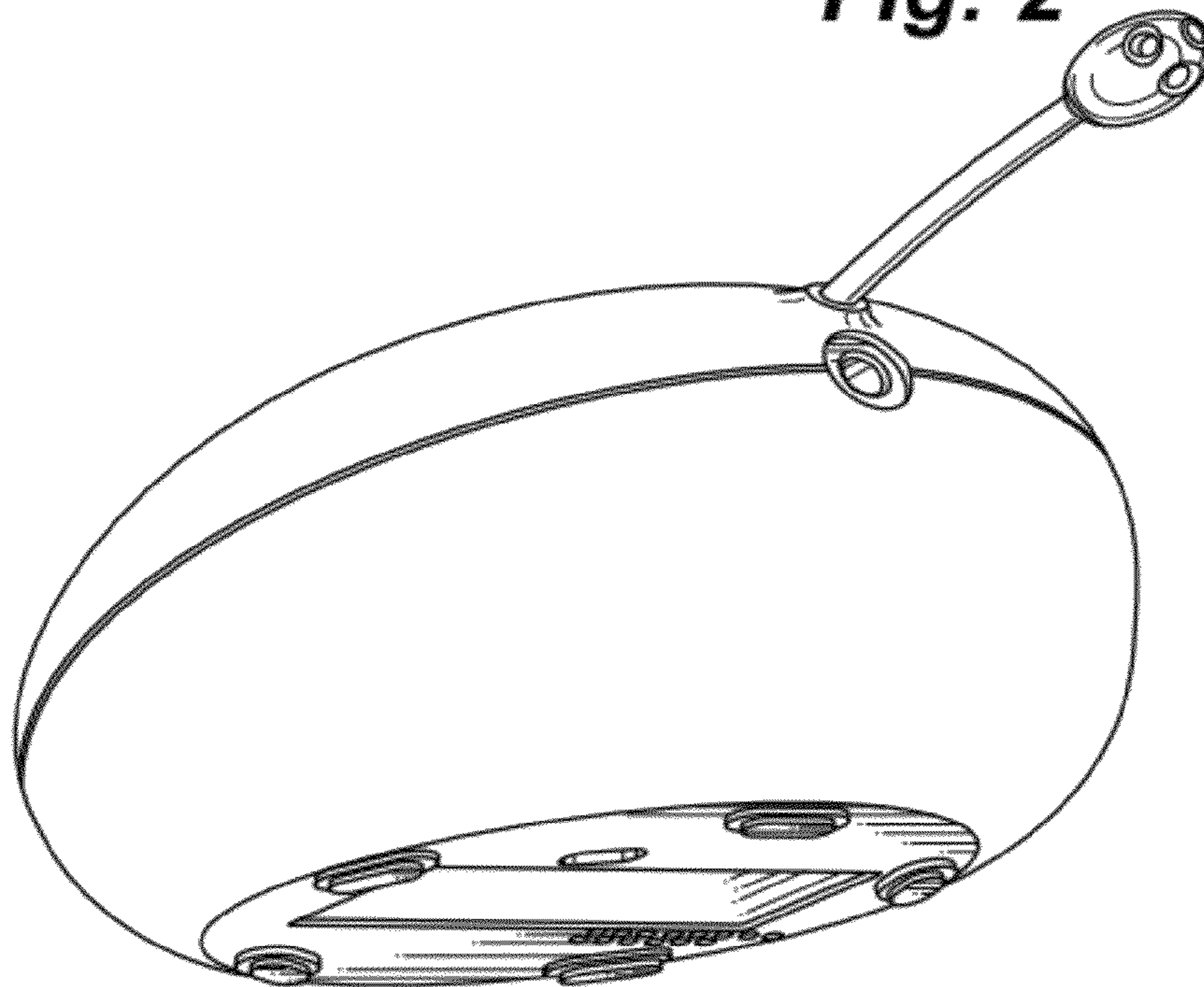


Fig. 3

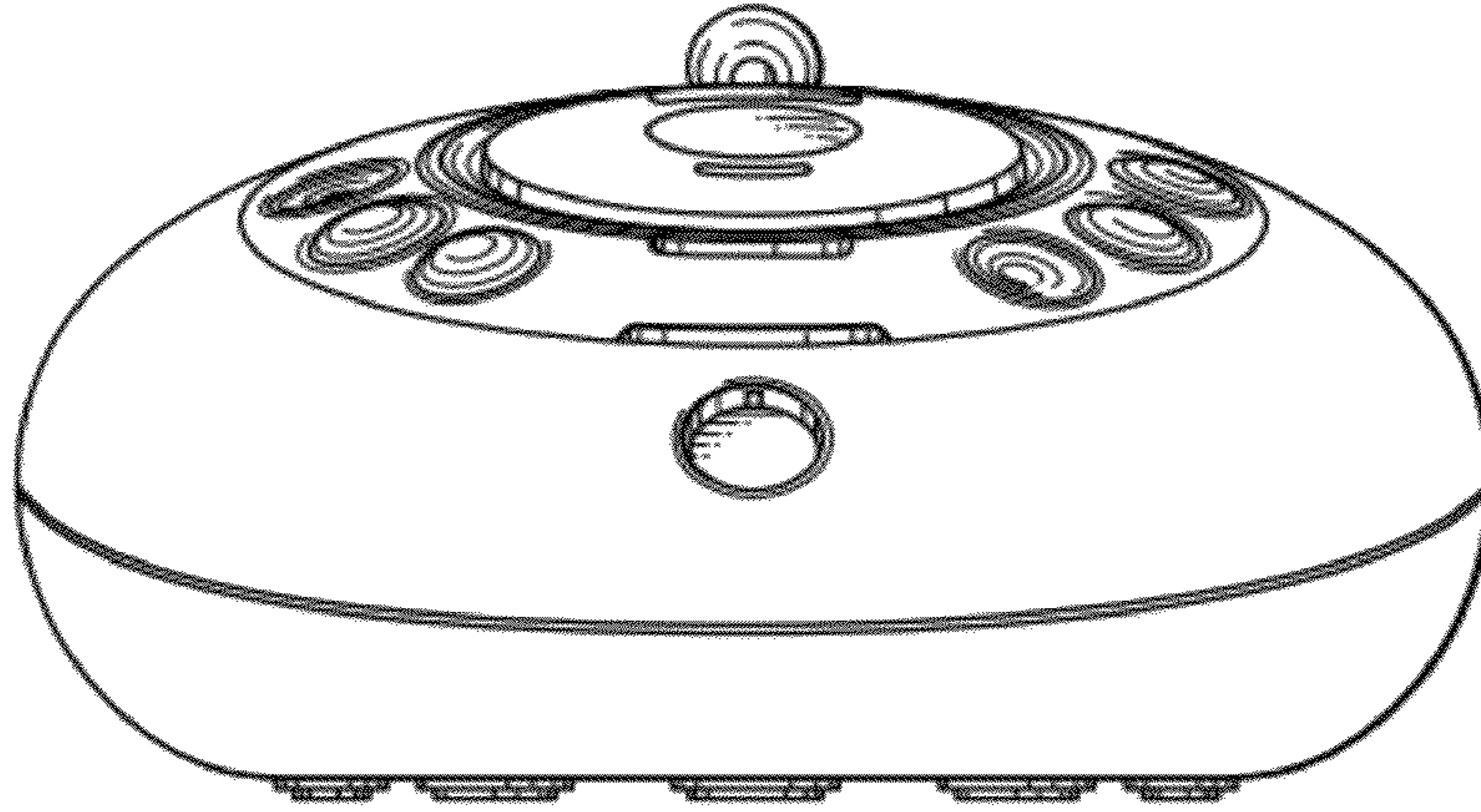


Fig. 4

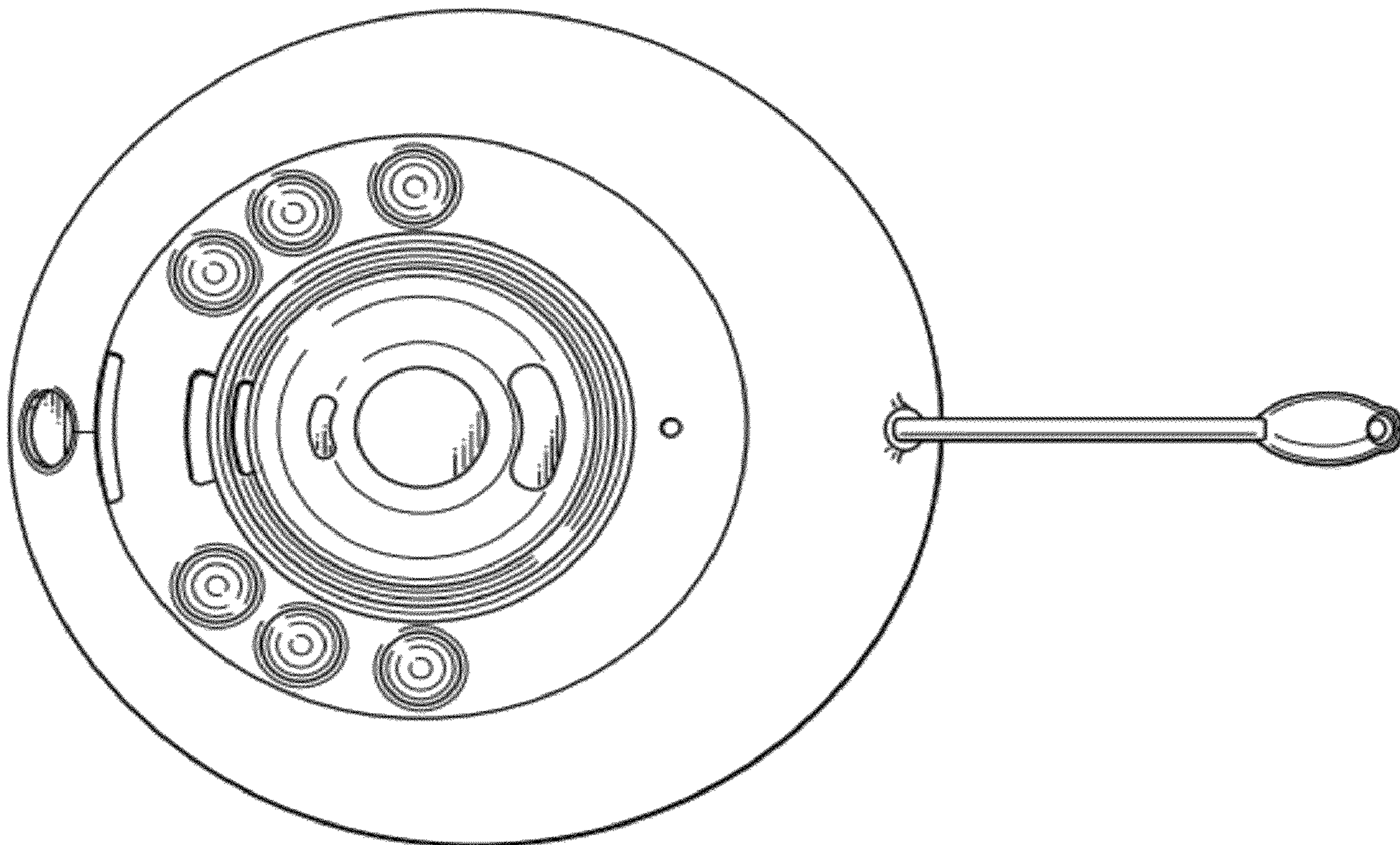


Fig. 5

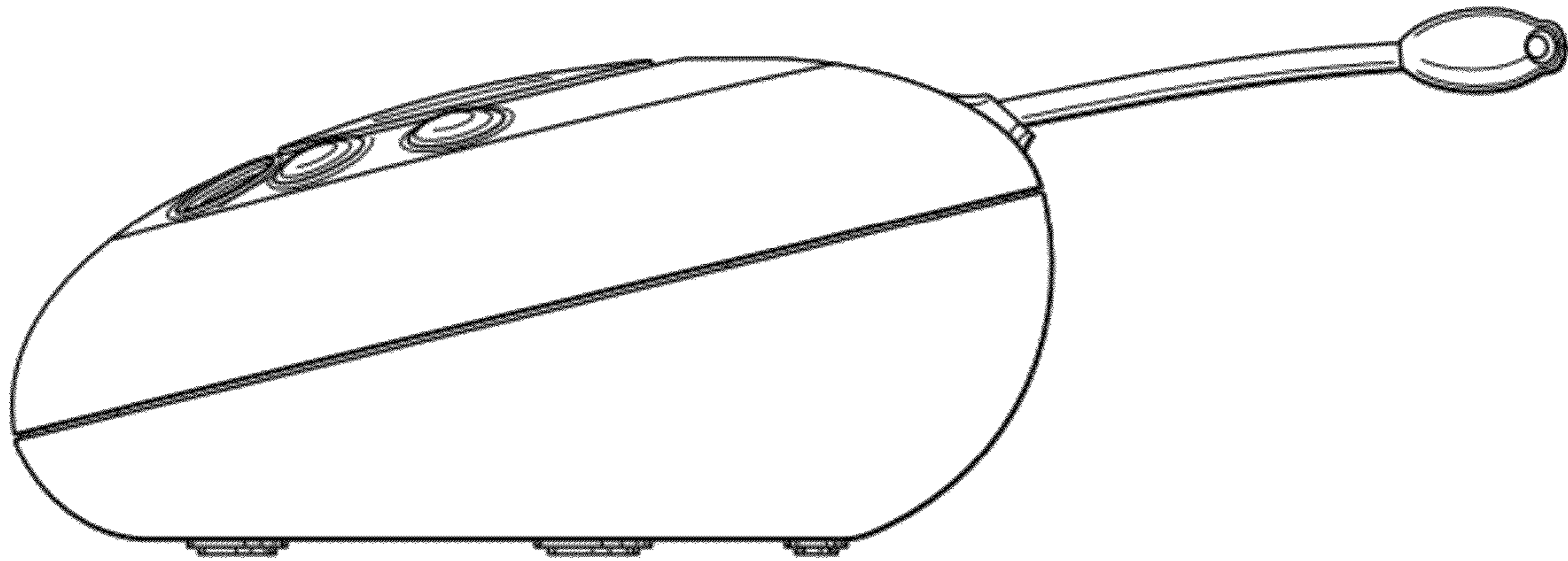


Fig. 6

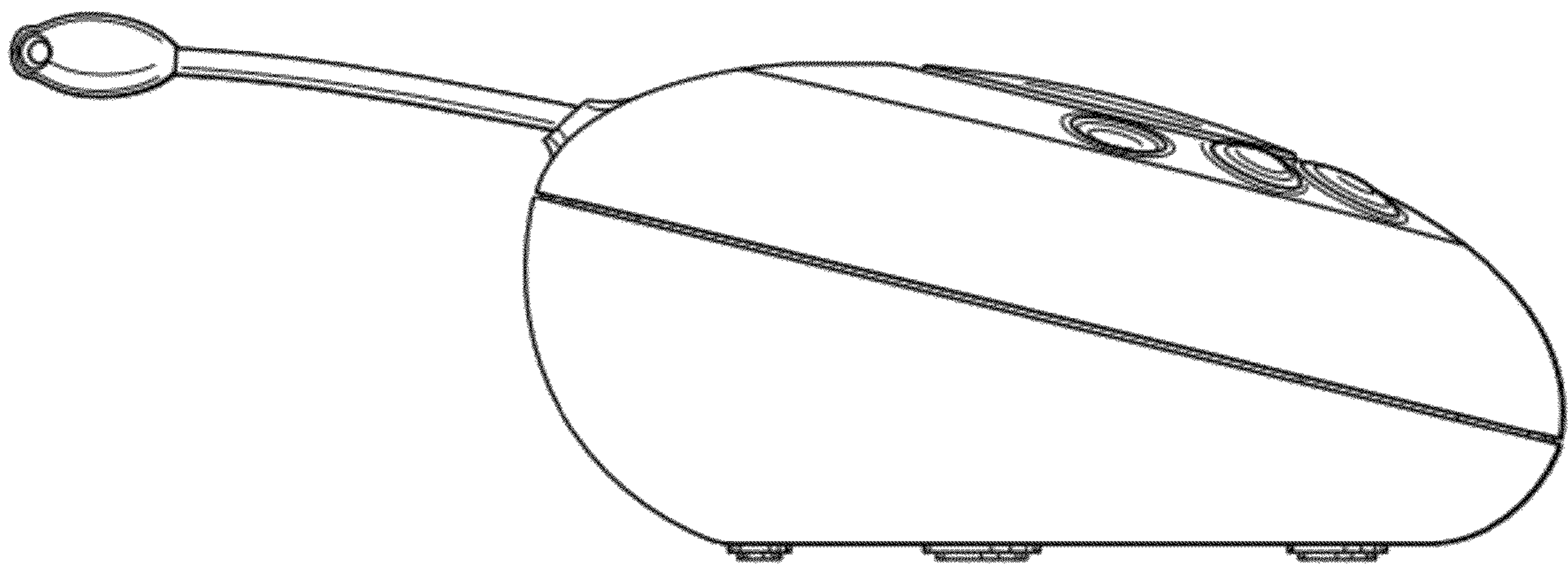


Fig. 7

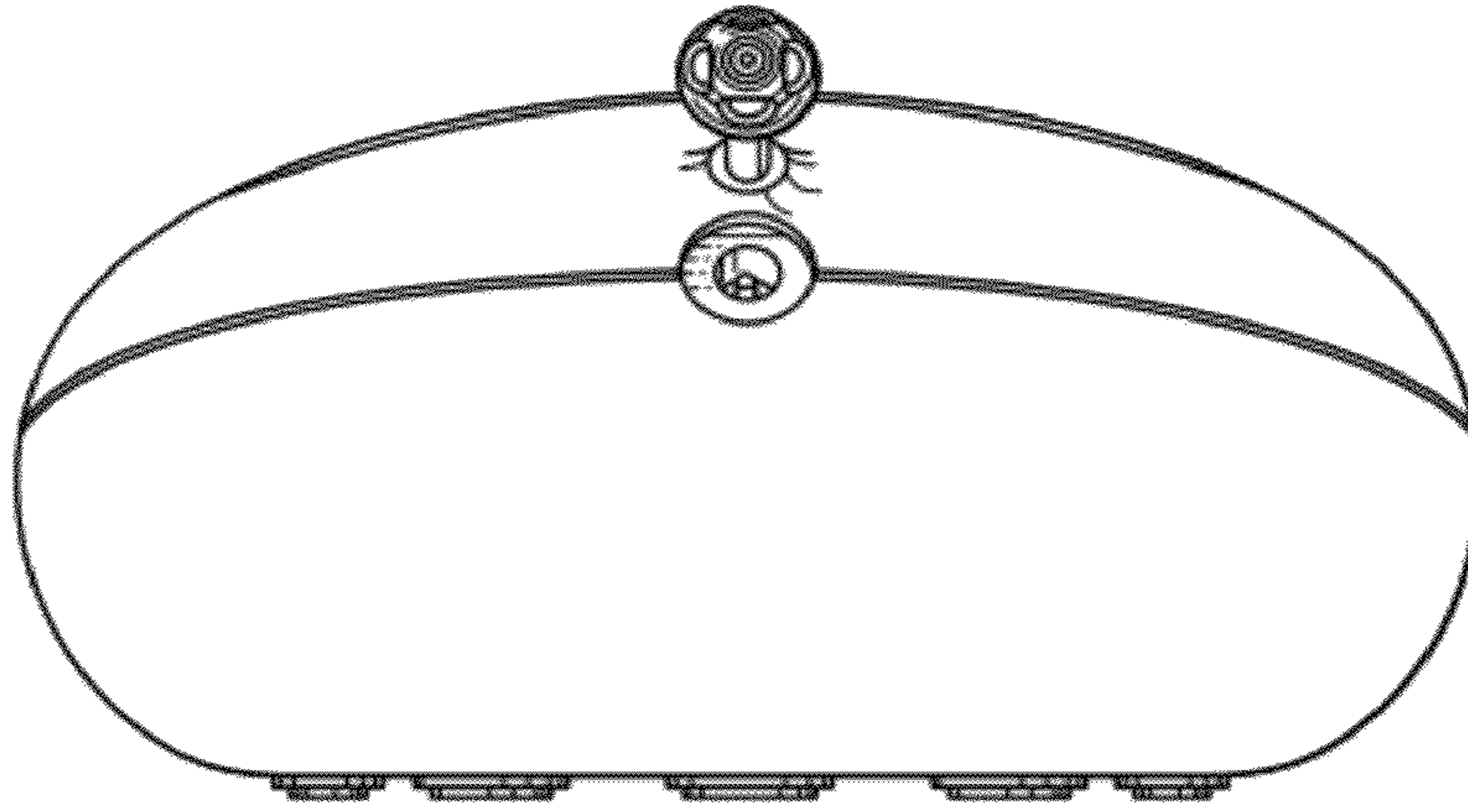


Fig. 8

