



US00D666569S

(12) **United States Design Patent**
Kim et al.

(10) **Patent No.:** **US D666,569 S**
(45) **Date of Patent:** **** Sep. 4, 2012**

(54) **MOBILE PHONE**

(75) Inventors: **Kuk-Hwan Kim**, Seoul (KR); **Tae-Ho Kim**, Yongin-si (KR)

(73) Assignee: **Samsung Electronics Co., Ltd.**, Suwon-si (KR)

(**) Term: **14 Years**

(21) Appl. No.: **29/400,329**

(22) Filed: **Aug. 26, 2011**

(30) **Foreign Application Priority Data**

May 4, 2011 (KR) 30-2011-0018343

(51) **LOC (9) Cl.** **14-03**

(52) **U.S. Cl.** **D14/138 AD; D14/138 G**

(58) **Field of Classification Search** D14/138 R,
D14/138 AD, 138 AC, 138 C, 138 G, 191,
D14/203.1–203.8, 496, 138 AA, 138 AB,
D14/137, 147, 218, 341–347, 247–248; D10/65,
D10/78, 104; D13/168; D18/7; 455/566,
455/575.1, 575.3, 575.4
See application file for complete search history.

(56) **References Cited**

U.S. PATENT DOCUMENTS

D560,193 S * 1/2008 Sung et al. D14/138 AD
D581,385 S * 11/2008 Park et al. D14/138 AD
D581,894 S * 12/2008 Kim D14/138 G
D594,433 S * 6/2009 Seo et al. D14/138 AD
D603,356 S * 11/2009 Sterzick et al. D14/138 G
D607,865 S * 1/2010 Lee et al. D14/138 AD
D618,200 S * 6/2010 Kim et al. D14/138 AD
D624,044 S * 9/2010 Lee et al. D14/138 AD
D624,045 S * 9/2010 Lee et al. D14/138 G

D631,864 S * 2/2011 Jung D14/138 AB
D633,460 S * 3/2011 Yi et al. D14/138 G
D636,364 S * 4/2011 Sandberg D14/138 G
D642,151 S * 7/2011 Chun et al. D14/138 G
D644,196 S * 8/2011 Lee et al. D14/138 AD
D645,010 S * 9/2011 Lee et al. D14/138 G
D645,016 S * 9/2011 Chung D14/138 AD

(Continued)

OTHER PUBLICATIONS

Samsung Epic 4G, announced Jun. 2010, [online], [retrieved on Feb. 1, 2011]. Retrieved from Internet ,<URL: <http://www.gsmarena.com>>.*

(Continued)

Primary Examiner — Bridget L Eland
(74) *Attorney, Agent, or Firm* — NSIP Law

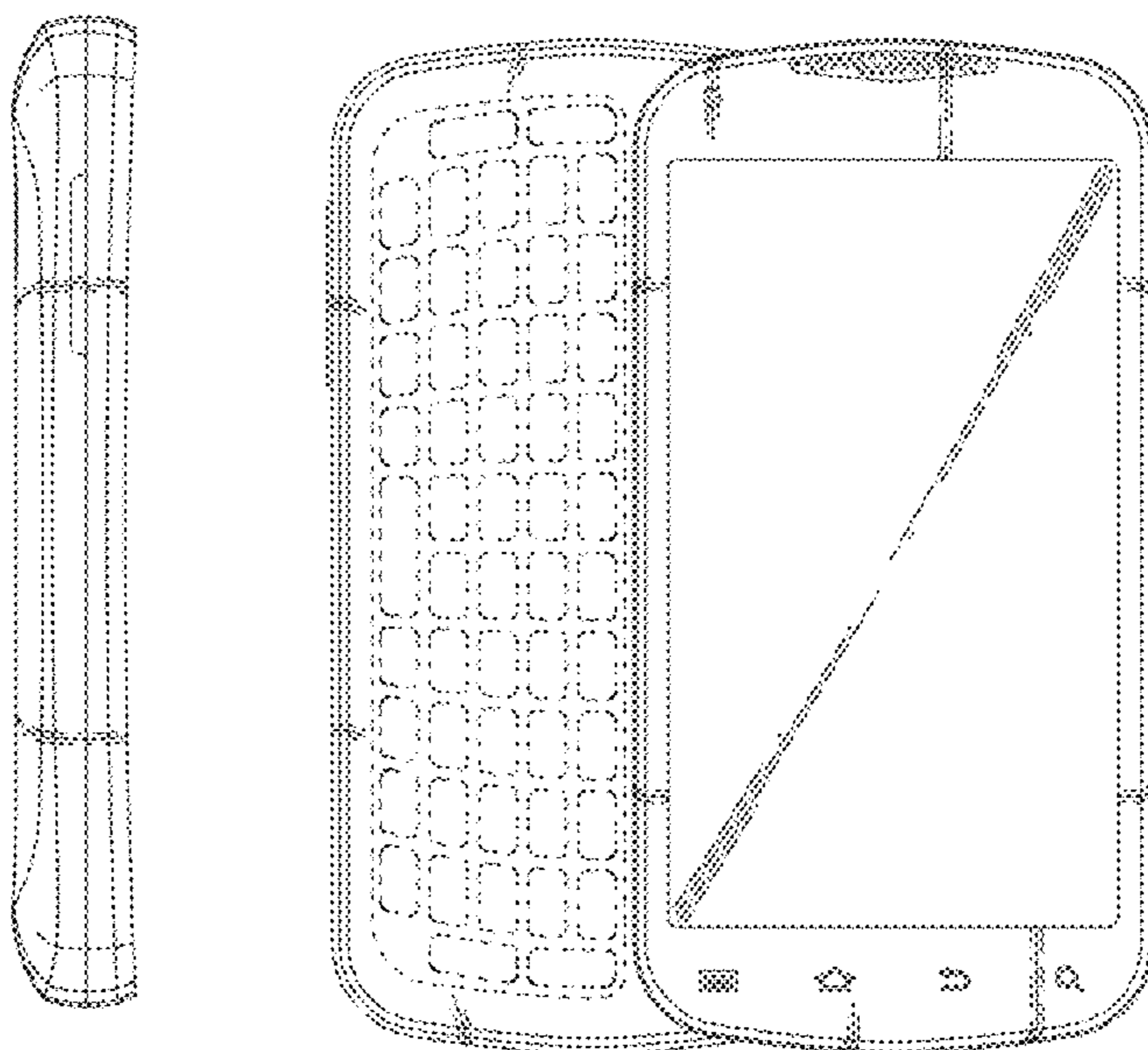
(57) **CLAIM**

The ornamental design for a mobile phone, as shown and described.

DESCRIPTION

FIG. 1 is a perspective view of a mobile phone;
FIG. 2 is a front view of the mobile phone of FIG. 1;
FIG. 3 is a rear view of the mobile phone of FIG. 1;
FIG. 4 is a left-side view of the mobile phone of FIG. 1;
FIG. 5 is a right-side view of the mobile phone of FIG. 1;
FIG. 6 is a top plan view of the mobile phone of FIG. 1;
FIG. 7 is a bottom plan view of the mobile phone of FIG. 1;
and,
FIG. 8 is an open front view of the mobile phone of FIG. 1.
The broken line immediately adjacent the shaded area represents an unclaimed boundary while all other broken lines are directed to environment and are for illustrative purposes only; the broken lines form no part of the claimed design.

1 Claim, 6 Drawing Sheets



US D666,569 S

Page 2

U.S. PATENT DOCUMENTS

D645,436 S * 9/2011 Chung D14/138 G
D645,835 S * 9/2011 Lee et al. D14/138 G
D654,041 S * 2/2012 Jung et al. D14/138 AD
D654,459 S * 2/2012 Kim D14/138 AD
2007/0218963 A1* 9/2007 Kim 455/575.4
2008/0076480 A1* 3/2008 Jeong et al. 455/566
2008/0266378 A1* 10/2008 Ryu 348/14.02
2009/0061963 A1* 3/2009 Miyaoka 455/575.4

2010/0099464 A1* 4/2010 Kim 455/566
2010/0251152 A1* 9/2010 Cho et al. 715/765

OTHER PUBLICATIONS

ZTE Mimoso X, announced Feb. 2012, [online], [retrieved on Mar. 15, 2012]. Retrieved from Internet ,<URL: <http://www.gsmarena.com>>.*

* cited by examiner

FIG. 1

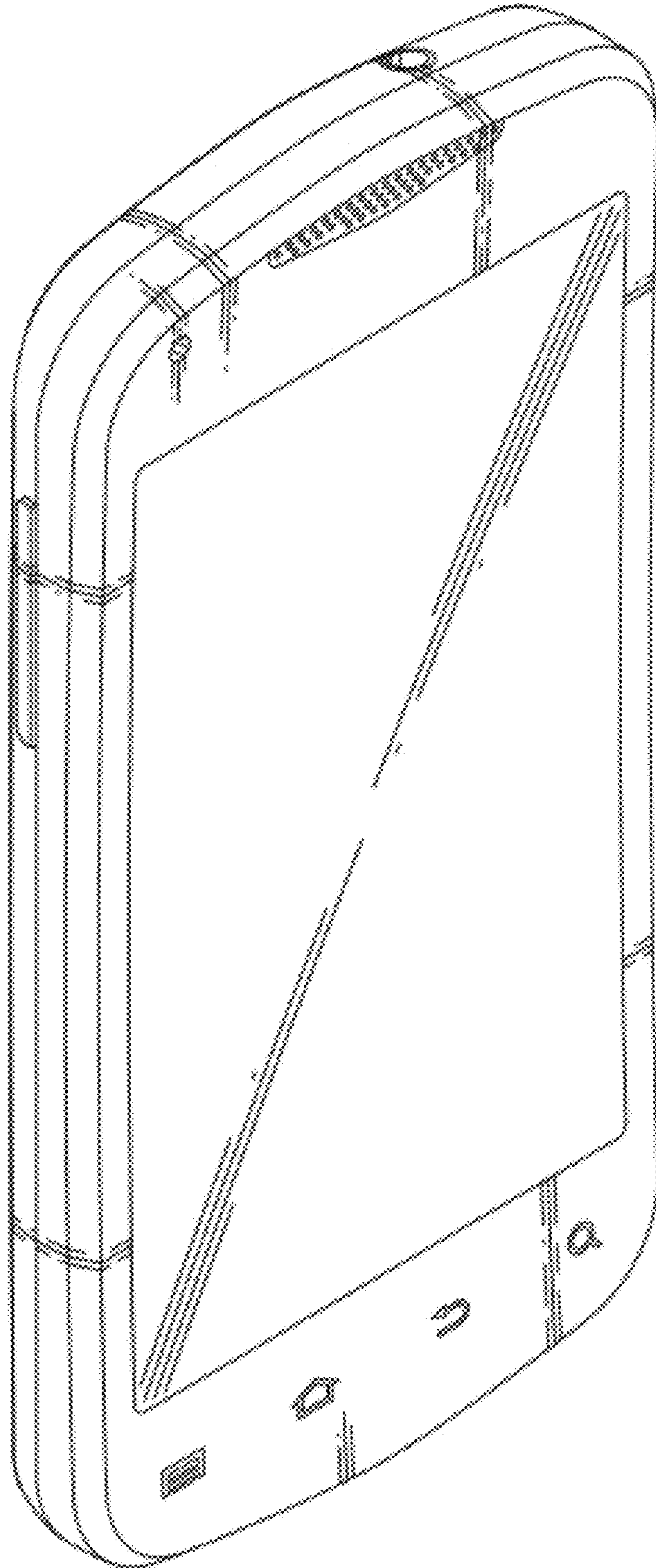


FIG. 2

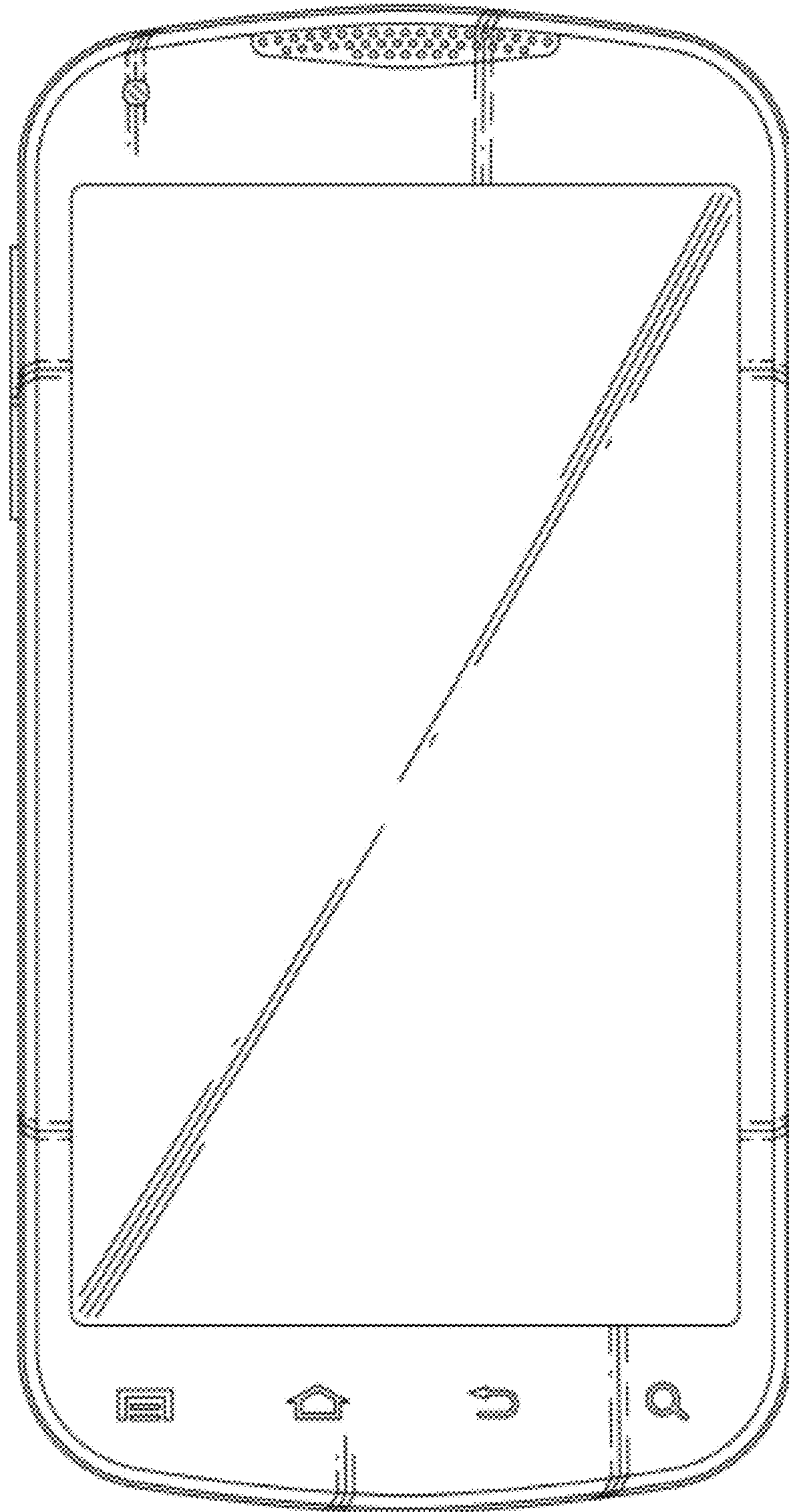


FIG. 3

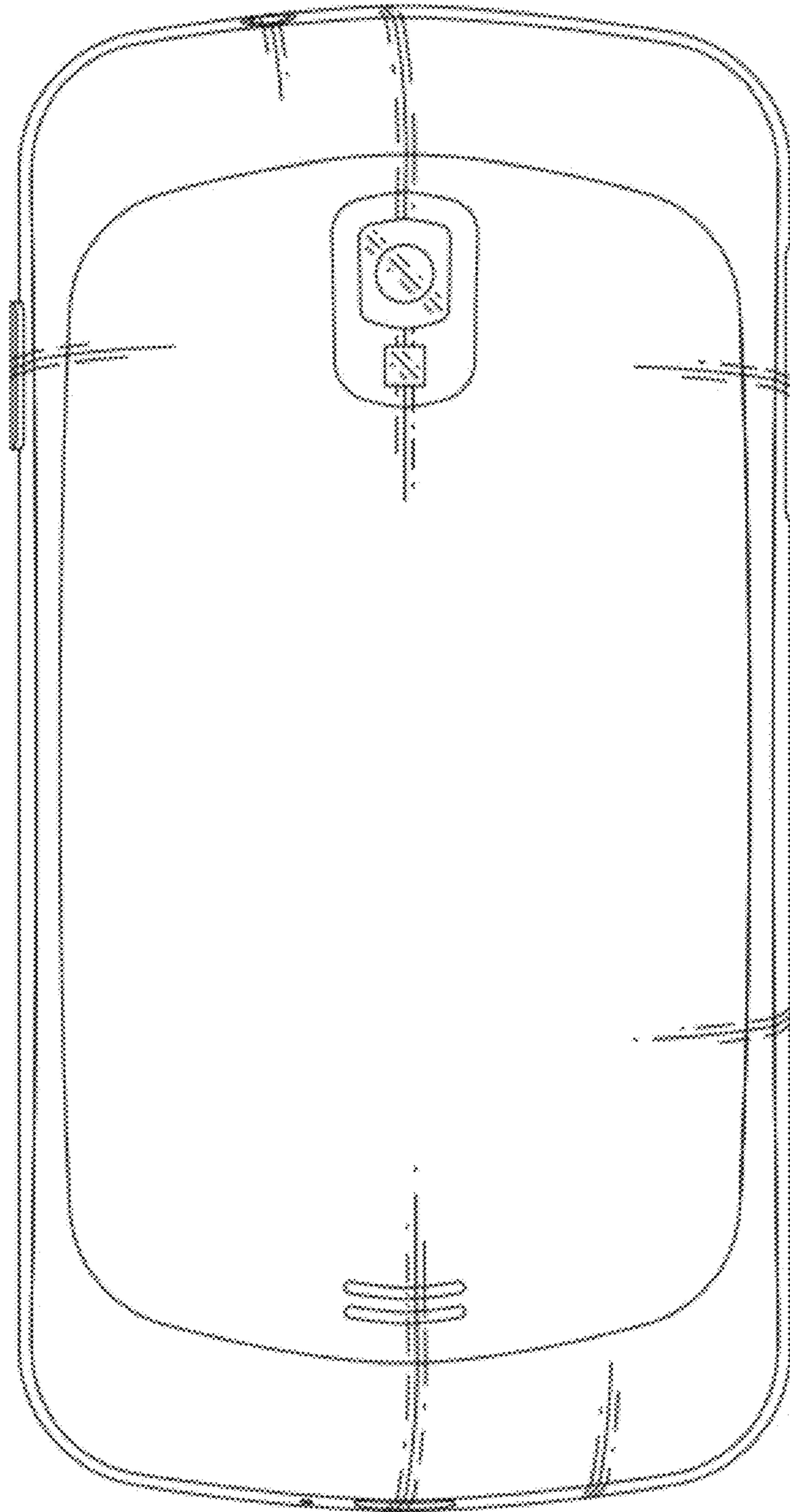


FIG. 4

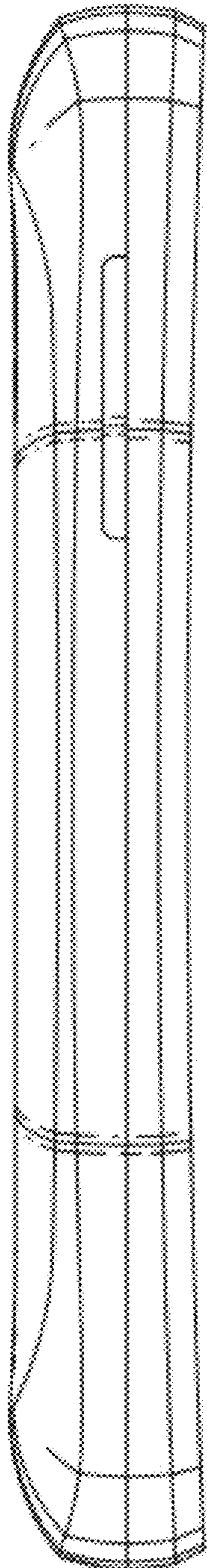


FIG. 5

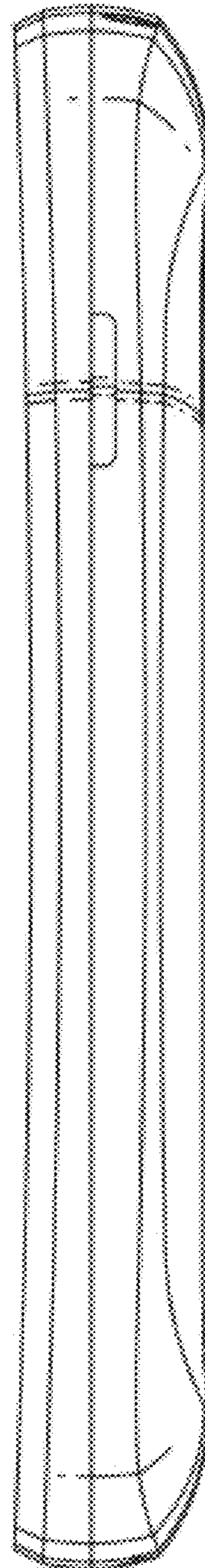


FIG. 6

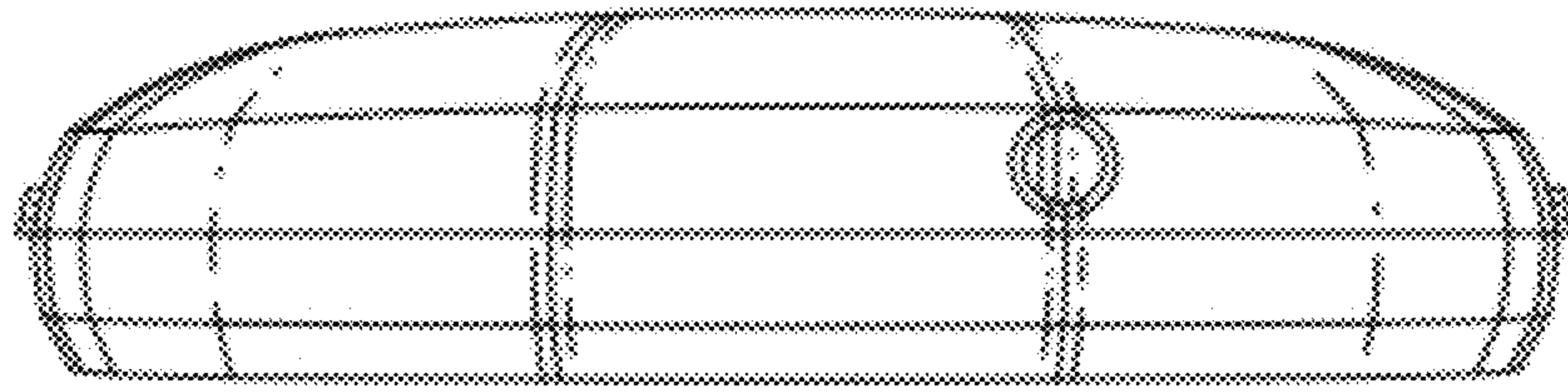


FIG. 7

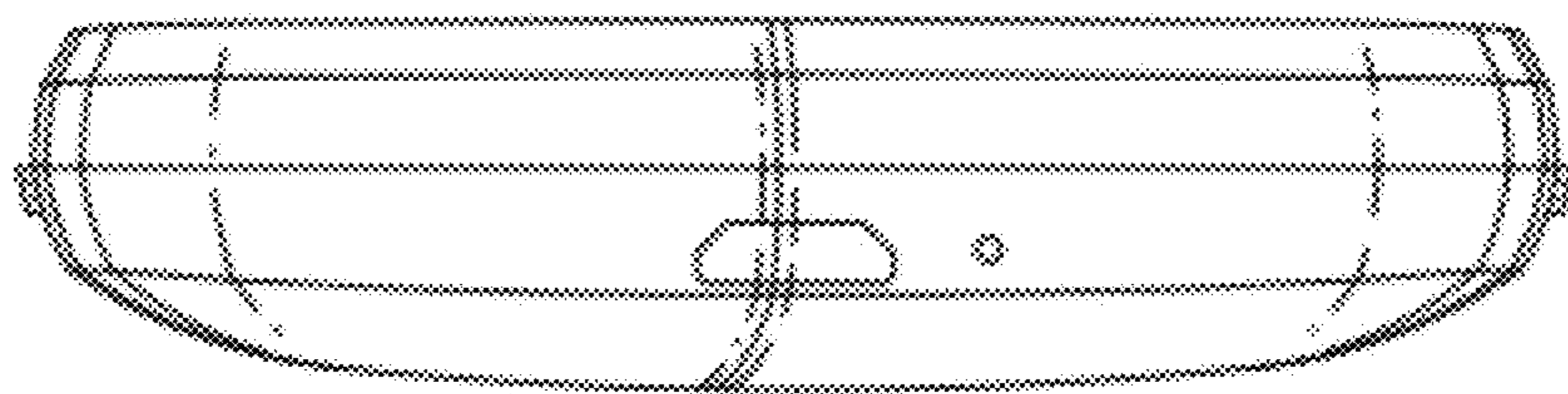


FIG. 8

